



US00D694657S

(12) **United States Design Patent**
Mille

(10) **Patent No.:** **US D694,657 S**

(45) **Date of Patent:** **** Dec. 3, 2013**

(54) **WATCH**

(71) Applicant: **Turlen Holding SA**, Soyhieres (CH)

(72) Inventor: **Richard Mille**, Moulins (FR)

(73) Assignee: **Turlen Holding SA**, Soyhieres (CH)

(**) Term: **14 Years**

(21) Appl. No.: **29/457,942**

(22) Filed: **Jun. 14, 2013**

(30) **Foreign Application Priority Data**

Dec. 21, 2012 (WO) DM/079 782

(51) **LOC (9) Cl.** **10-02**

(52) **U.S. Cl.**
USPC **D10/39**

(58) **Field of Classification Search**
USPC D10/30-39, 122-132; 368/276, 281,
368/282, 223, 80, 228, 232
See application file for complete search history.

(56) **References Cited**

U.S. PATENT DOCUMENTS

D456,274 S * 4/2002 Mille D10/30
D505,342 S * 5/2005 Hayek D10/39
D519,390 S * 4/2006 Lovegrove D10/39
D616,312 S * 5/2010 Ellia D10/39

D648,639 S * 11/2011 Mille D10/39
D650,708 S * 12/2011 Laucella D10/39
D658,514 S * 5/2012 Mille D10/39
D658,515 S * 5/2012 Mille D10/39
D658,516 S * 5/2012 Mille D10/39
D664,047 S * 7/2012 Mille D10/39
D664,048 S * 7/2012 Mille D10/39
D673,868 S * 1/2013 Mille D10/39
D679,199 S * 4/2013 Mille D10/39
D680,885 S * 4/2013 Mille D10/38

* cited by examiner

Primary Examiner — Lucy Lieberman

(74) *Attorney, Agent, or Firm* — Donald J. Ranft; Collen IP

(57) **CLAIM**

The ornamental design for a watch, as shown.

DESCRIPTION

FIG. 1 is a top front right perspective view of a watch showing my new design;
FIG. 2 is a bottom front left perspective view thereof;
FIG. 3 is a bottom front right perspective view thereof;
FIG. 4 is a top front left perspective view thereof;
FIG. 5 is a top rear left perspective view thereof;
FIG. 6 is bottom rear right perspective view thereof;
FIG. 7 is a front view thereof;
FIG. 8 is a rear view thereof;
FIG. 9 is a right side view thereof;
FIG. 10 is a left side view thereof; and,
FIG. 11 is a bottom view thereof.

1 Claim, 10 Drawing Sheets



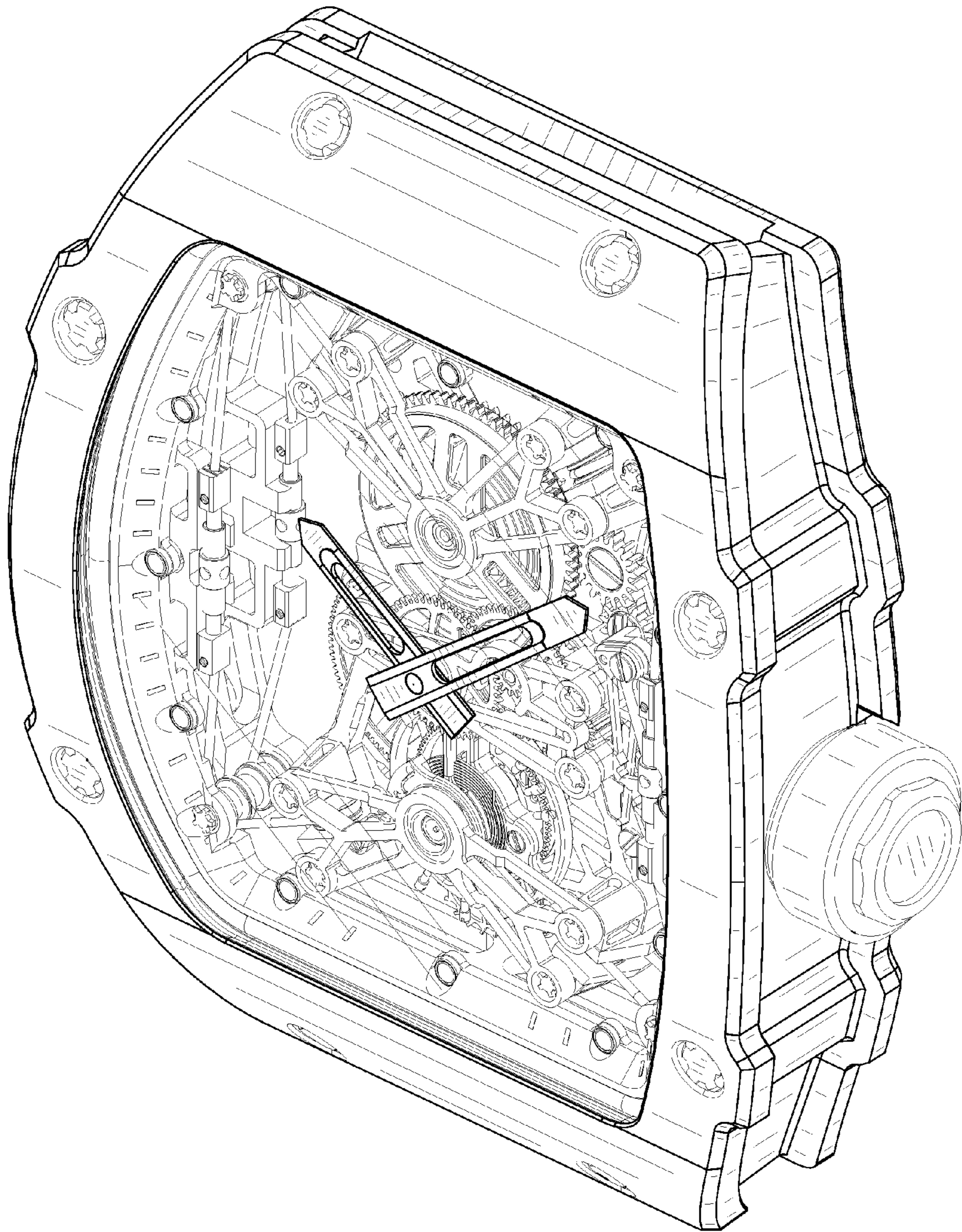


FIG. 1

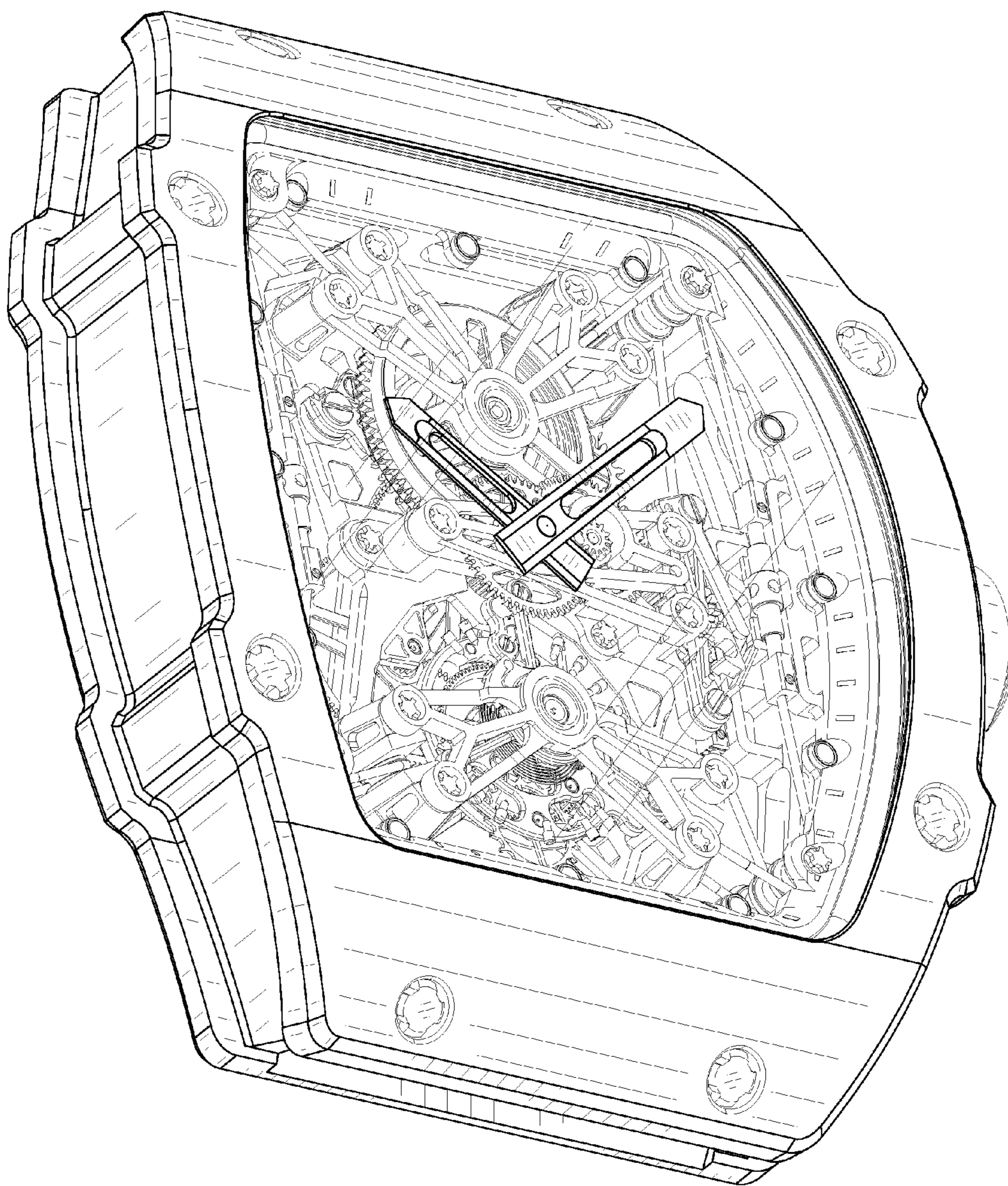


FIG. 2

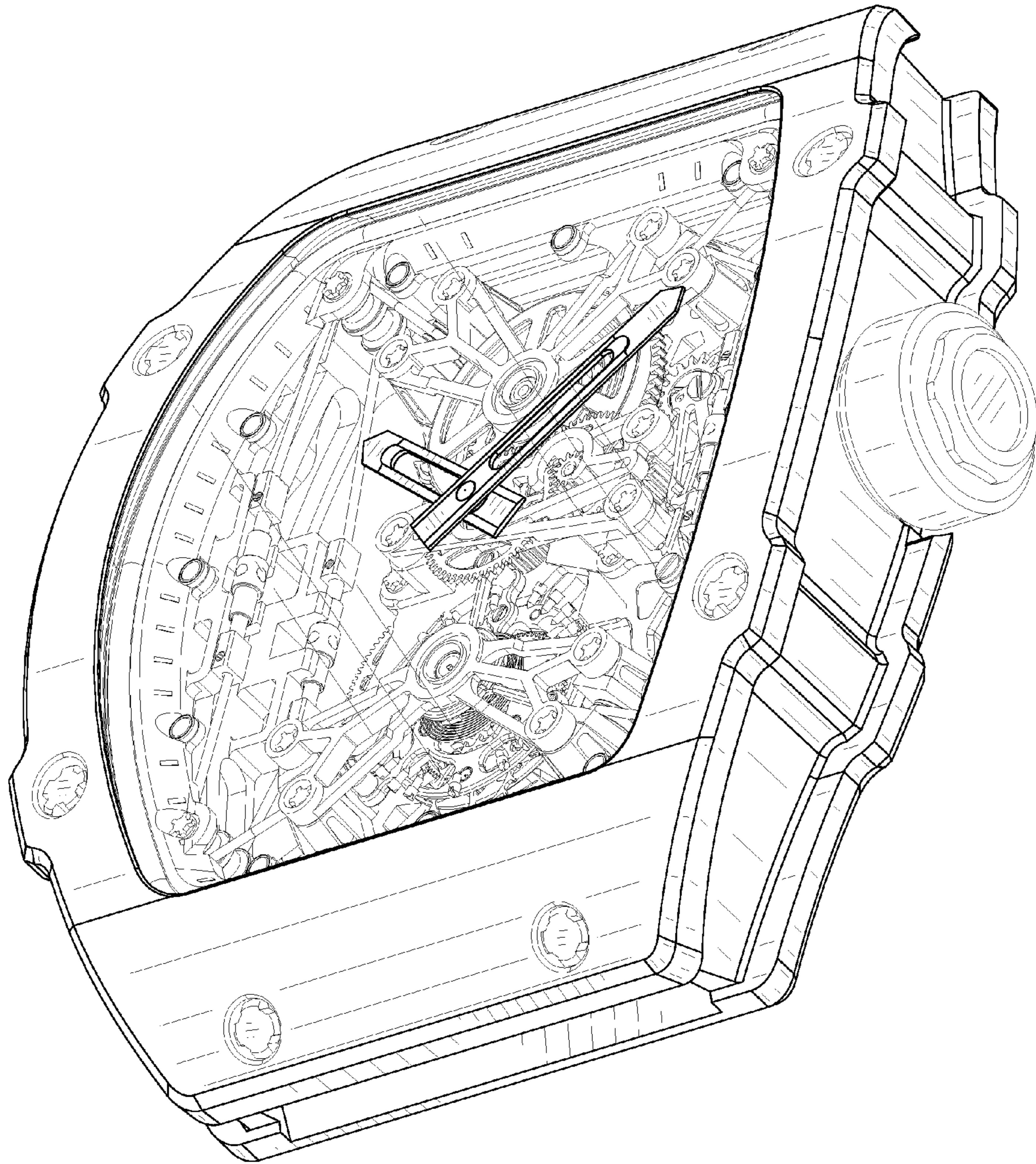


FIG. 3

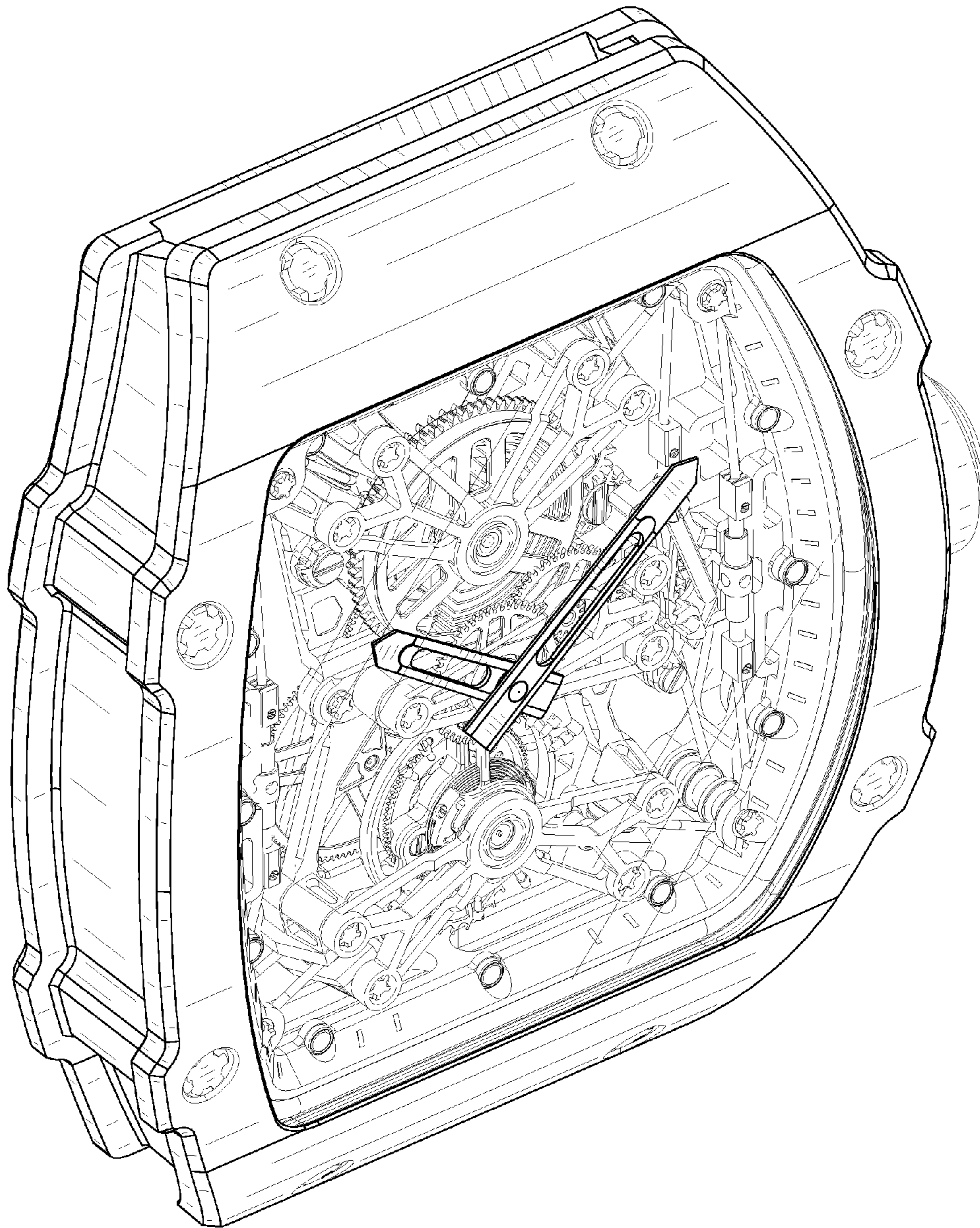


FIG. 4

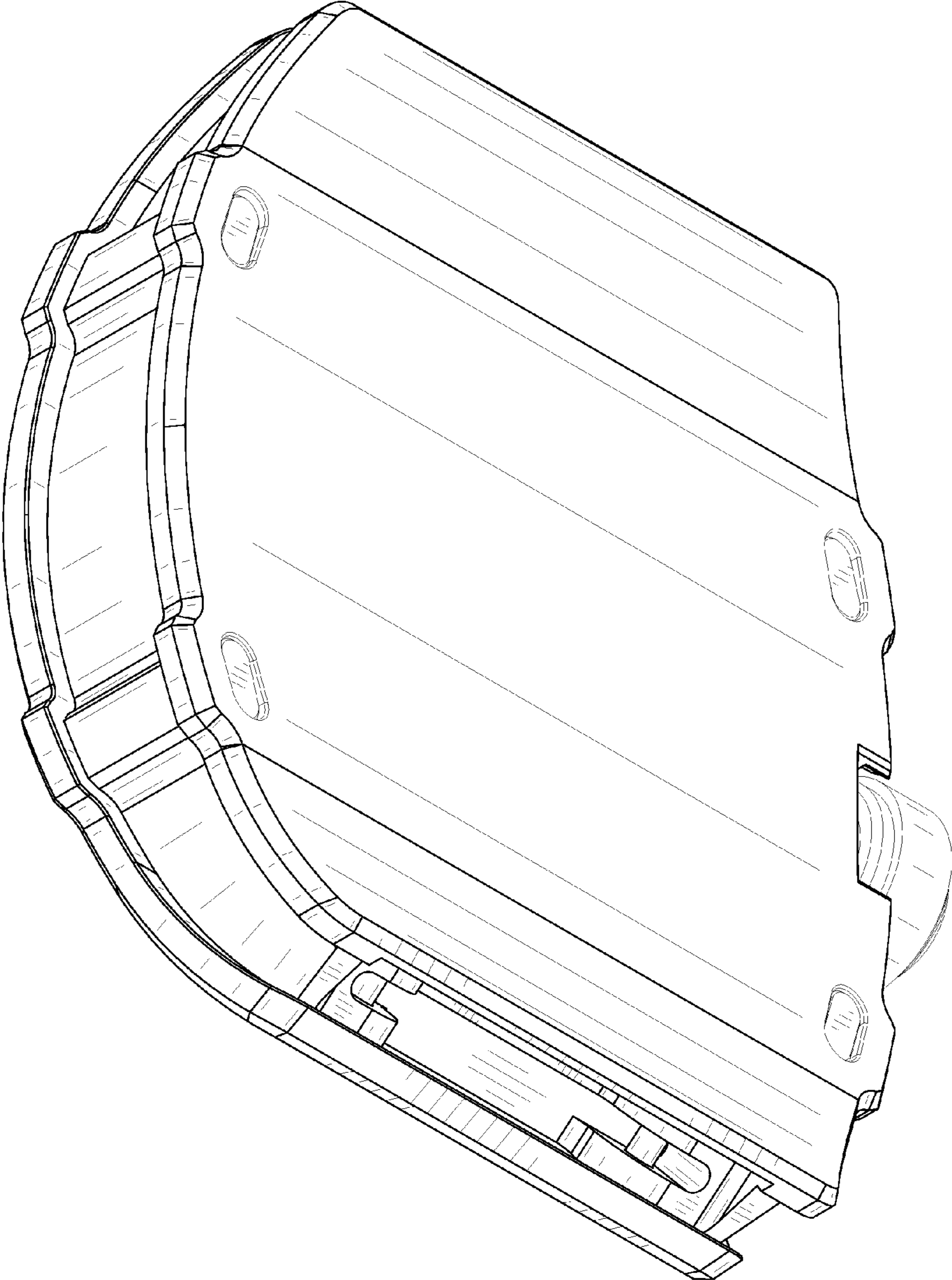


FIG. 5

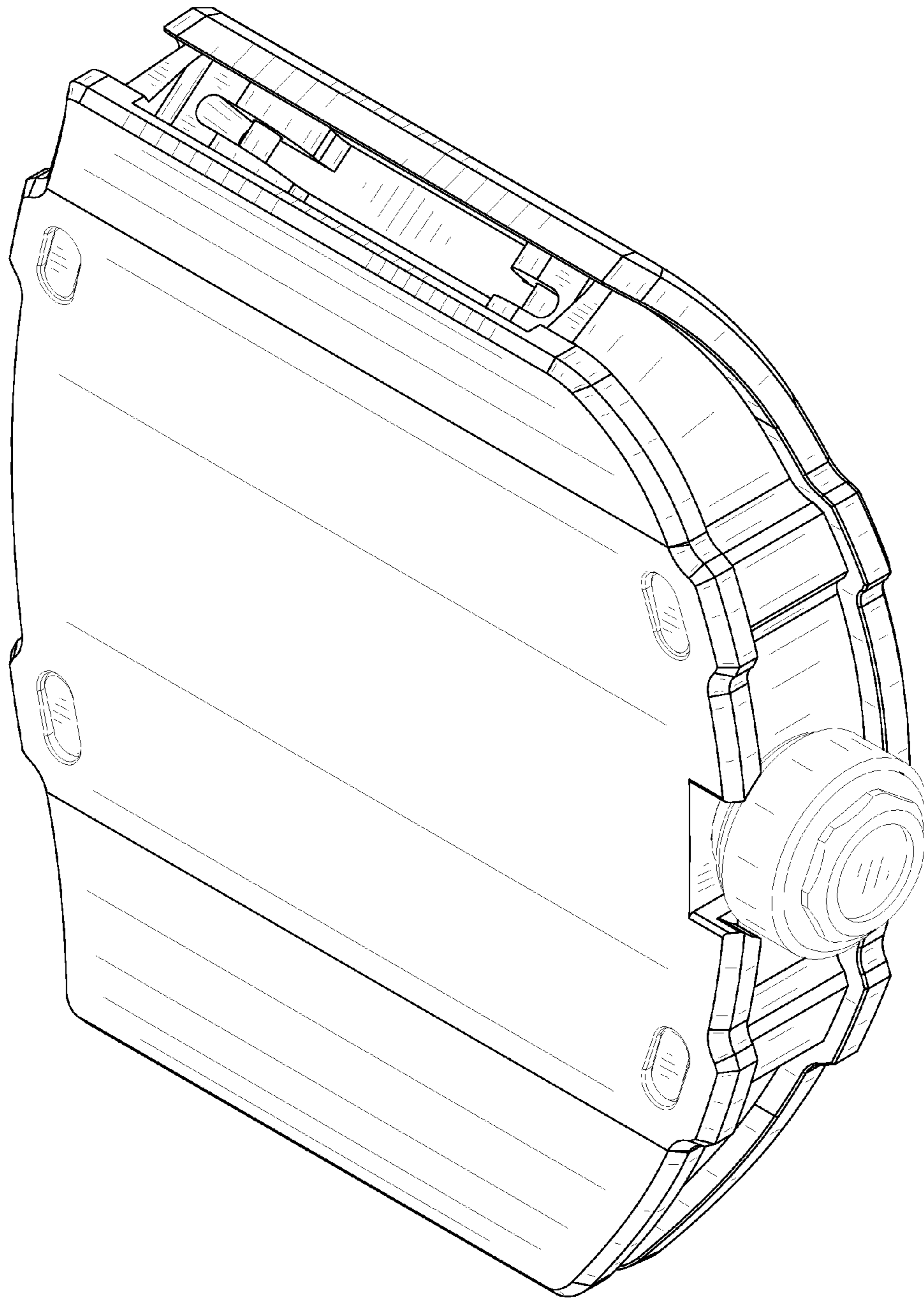


FIG. 6



FIG. 7

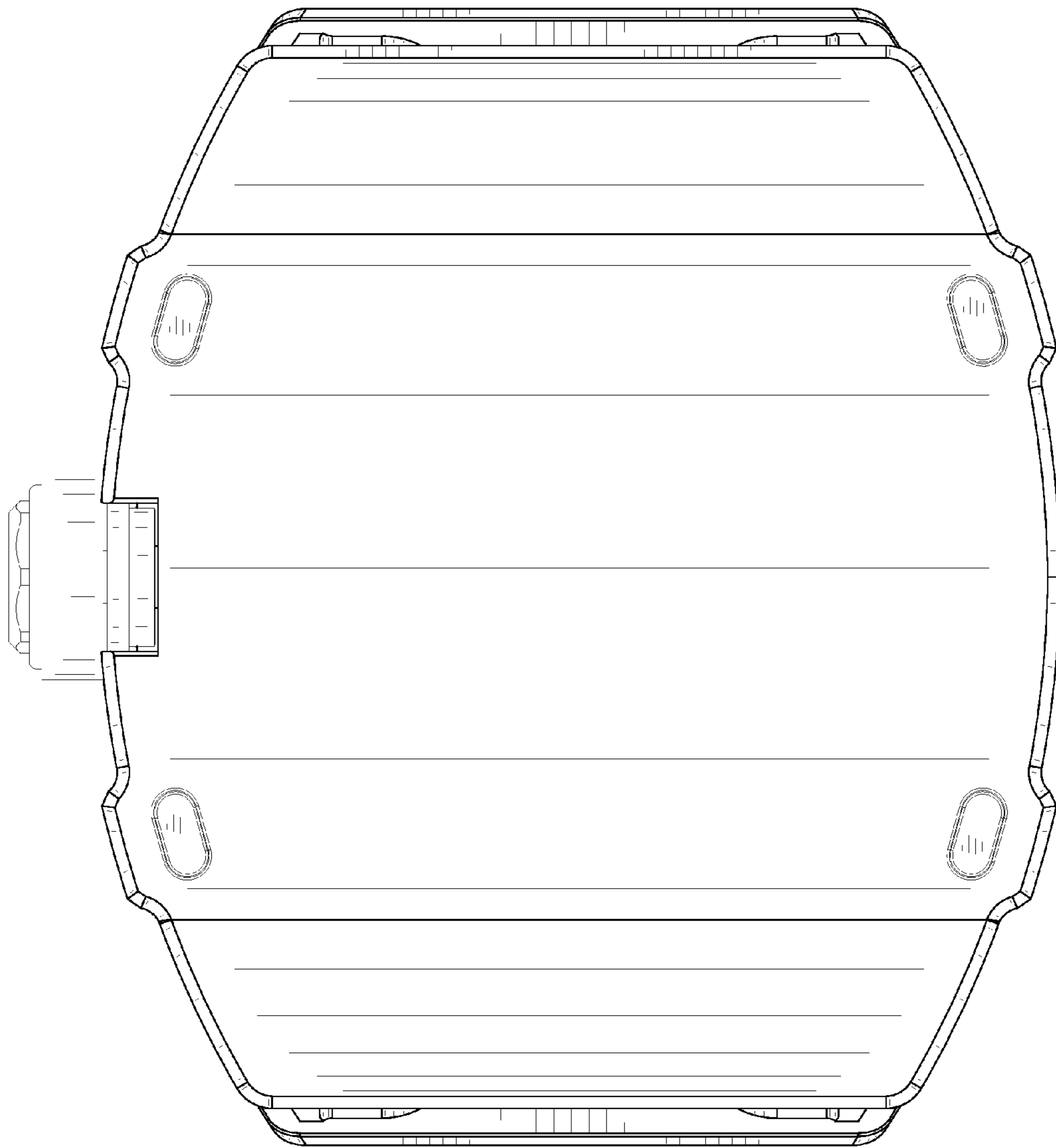


FIG. 8

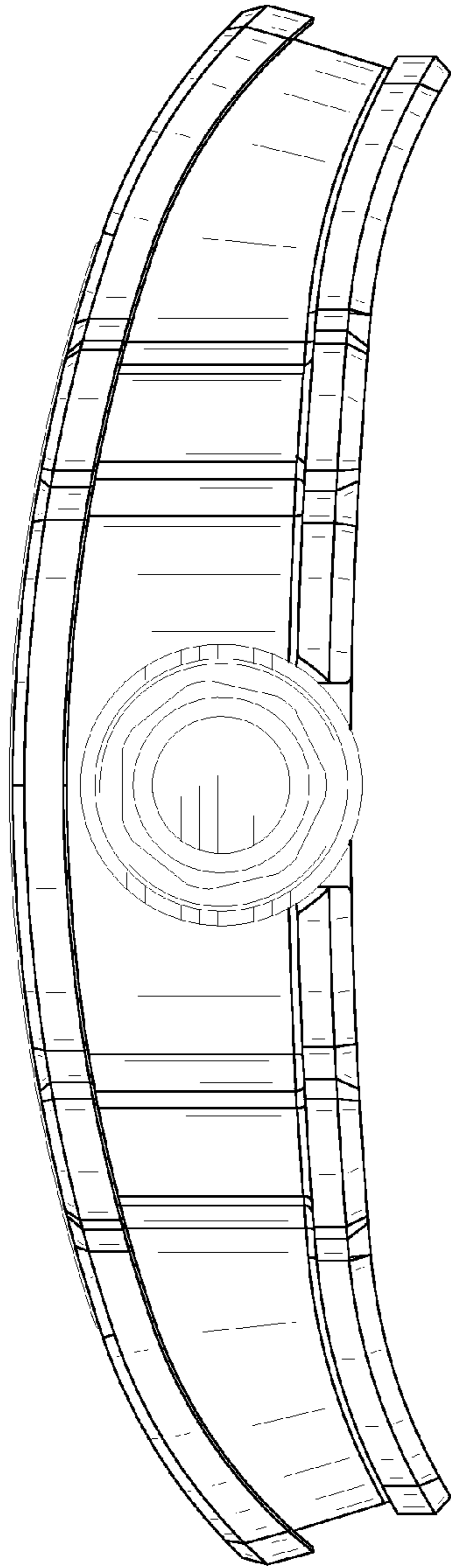


FIG. 9

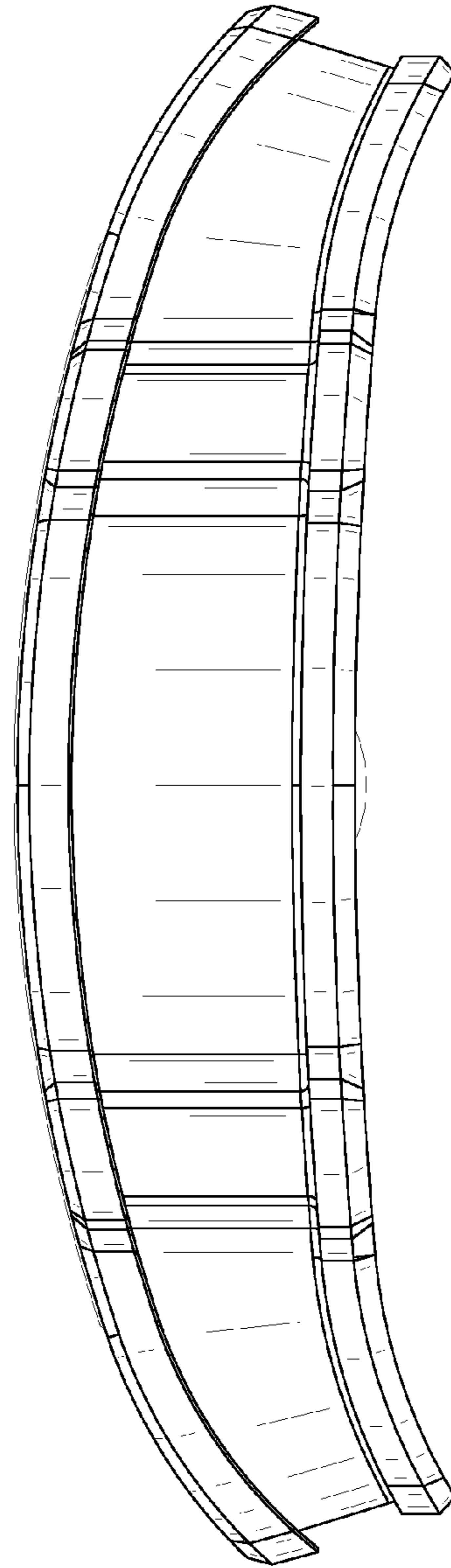


FIG. 10

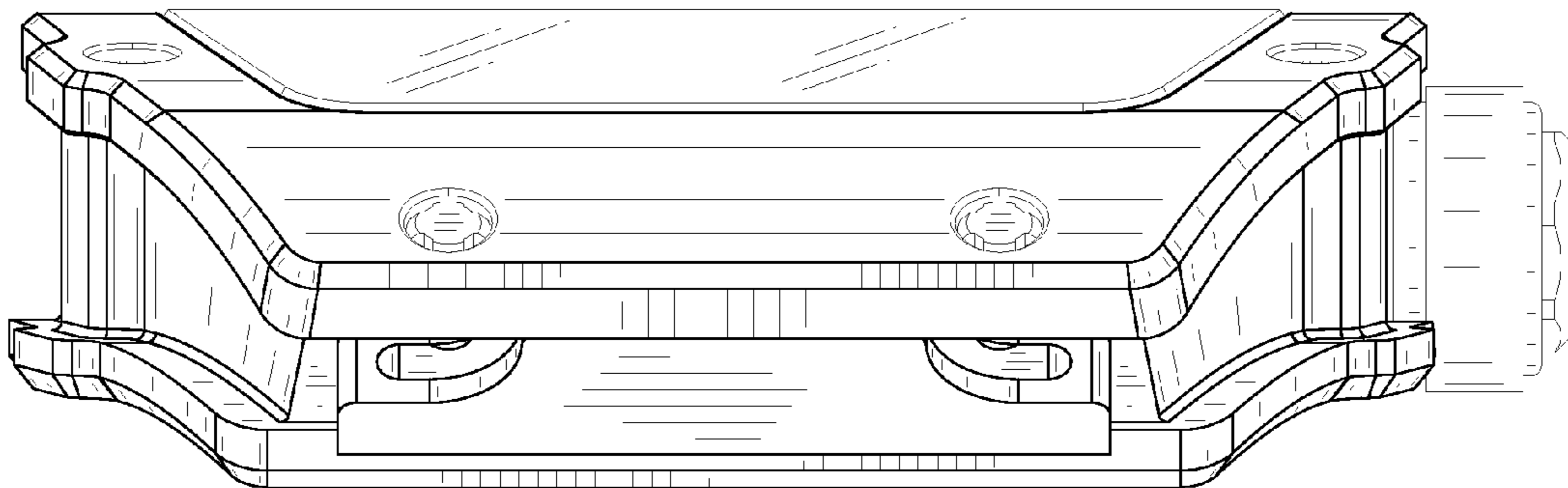


FIG. 11