



US00D694656S

(12) **United States Design Patent**  
**Inoue**

(10) **Patent No.:** **US D694,656 S**

(45) **Date of Patent:** **\*\* Dec. 3, 2013**

- (54) **WRIST WATCH CASE**
- (71) Applicants: **Citizen Holdings Co., Ltd.**, Nishitokyo (JP); **Citizen Watch Co., Ltd.**, Nishitokyo (JP)
- (72) Inventor: **Hideki Inoue**, Tokyo (JP)
- (73) Assignees: **Citizen Holdings Co., Ltd.** (JP); **Citizen Watch Co., Ltd.** (JP)
- (\*\*) Term: **14 Years**
- (21) Appl. No.: **29/451,899**
- (22) Filed: **Apr. 10, 2013**
- (51) **LOC (9) Cl.** ..... **10-02**
- (52) **U.S. Cl.**  
USPC ..... **D10/38**
- (58) **Field of Classification Search**  
USPC ..... D10/30-39; 368/276, 281, 282, 368/288-290  
See application file for complete search history.

- D634,651 S \* 3/2011 Jorst et al. .... D10/39
- D634,652 S \* 3/2011 Jorst et al. .... D10/39
- D645,766 S \* 9/2011 Bertucci ..... D10/38
- D650,707 S \* 12/2011 Bellon ..... D10/38
- D656,044 S \* 3/2012 Favre ..... D10/38

**OTHER PUBLICATIONS**

Owner's Website showing the product K LVWR U1F, Officine Panerai (1 page), <http://www.panerai.com/en/watch-collection> printed from internet Mar. 18, 2013.

Owner's Website showing the product FR Q WHP SR UDU, Officine Panerai (1 page), <http://www.panerai.com/en/watch-collection> printed from internet Mar. 18, 2013.

Owner's Website showing the product VSHF ID O LWLHV, Officine Panerai (1 page), <http://www.panerai.com/en/watch-collection> printed from internet Mar. 18, 2013.

Owner's Website showing the product VSHF ID O HGLWIR Q V, Officine Panerai (1 page), <http://www.panerai.com/en/watch-collection> printed from internet Mar. 28, 2013.

\* cited by examiner

*Primary Examiner* — Lucy Lieberman

(74) *Attorney, Agent, or Firm* — Banner & Witcoff, Ltd.

(56) **References Cited**

**U.S. PATENT DOCUMENTS**

- 3,665,701 A \* 5/1972 Burdet ..... 368/295
- D394,817 S \* 6/1998 Roales ..... D10/38
- D410,199 S \* 5/1999 Calvani ..... D10/39
- D418,427 S \* 1/2000 Fichter ..... D10/30
- D434,679 S \* 12/2000 Dumas ..... D10/39
- D439,173 S \* 3/2001 Giardiello ..... D10/32
- D561,612 S \* 2/2008 Finazzi ..... D10/38
- D564,909 S \* 3/2008 Kume ..... D10/38
- D566,585 S \* 4/2008 Belamich ..... D10/39
- D569,276 S \* 5/2008 Scheufele ..... D10/39
- D577,297 S \* 9/2008 Lalo ..... D10/32
- D582,296 S \* 12/2008 Bertucci ..... D10/38
- D587,140 S \* 2/2009 Kauffmann ..... D10/38
- D606,424 S \* 12/2009 Inoue ..... D10/39
- D616,783 S \* 6/2010 Chastaingt ..... D10/128
- D624,442 S \* 9/2010 Clerc ..... D10/38
- D632,979 S \* 2/2011 Chastaingt ..... D10/38

(57) **CLAIM**

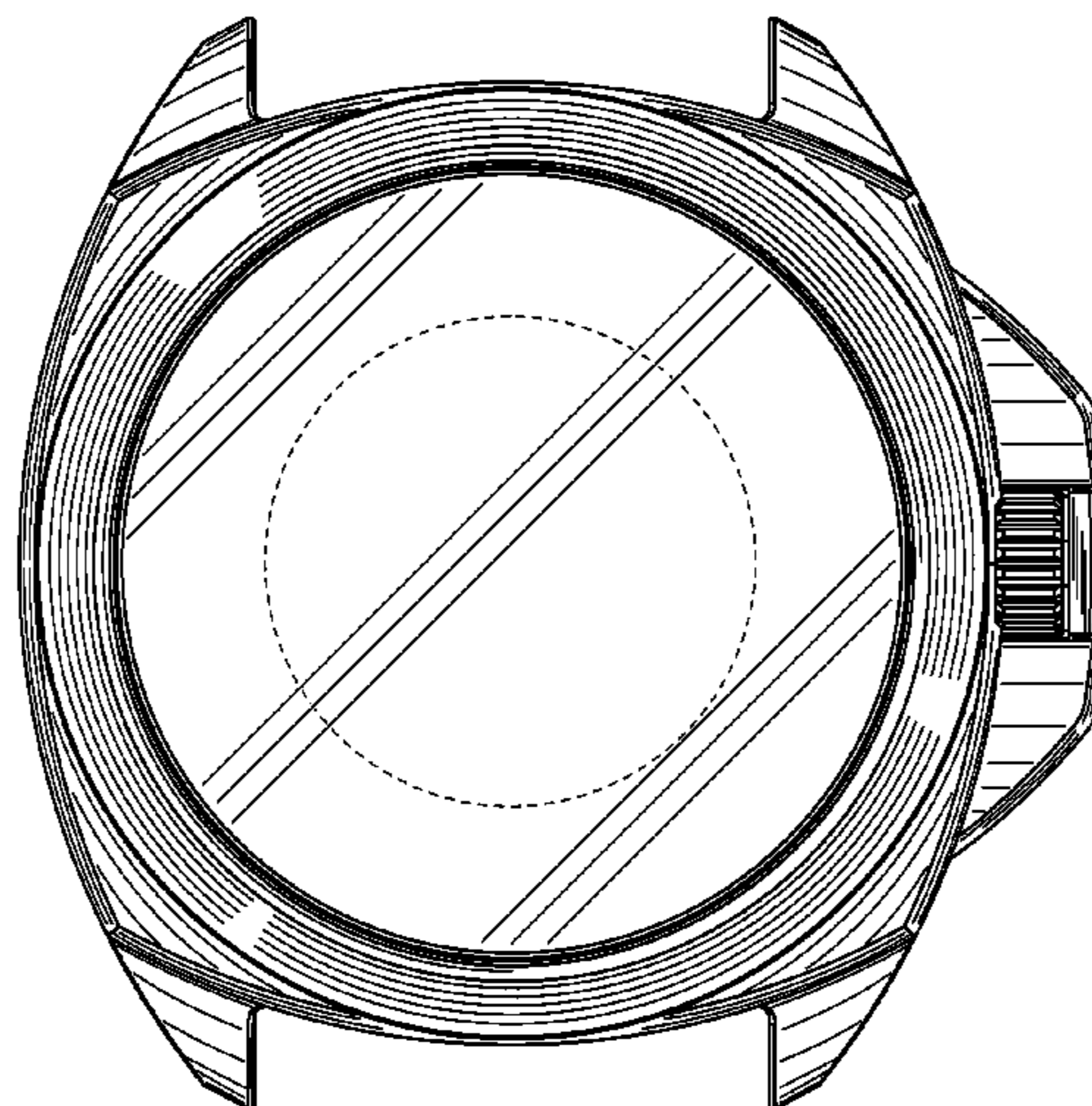
The ornamental design for a wrist watch case, as shown and described.

**DESCRIPTION**

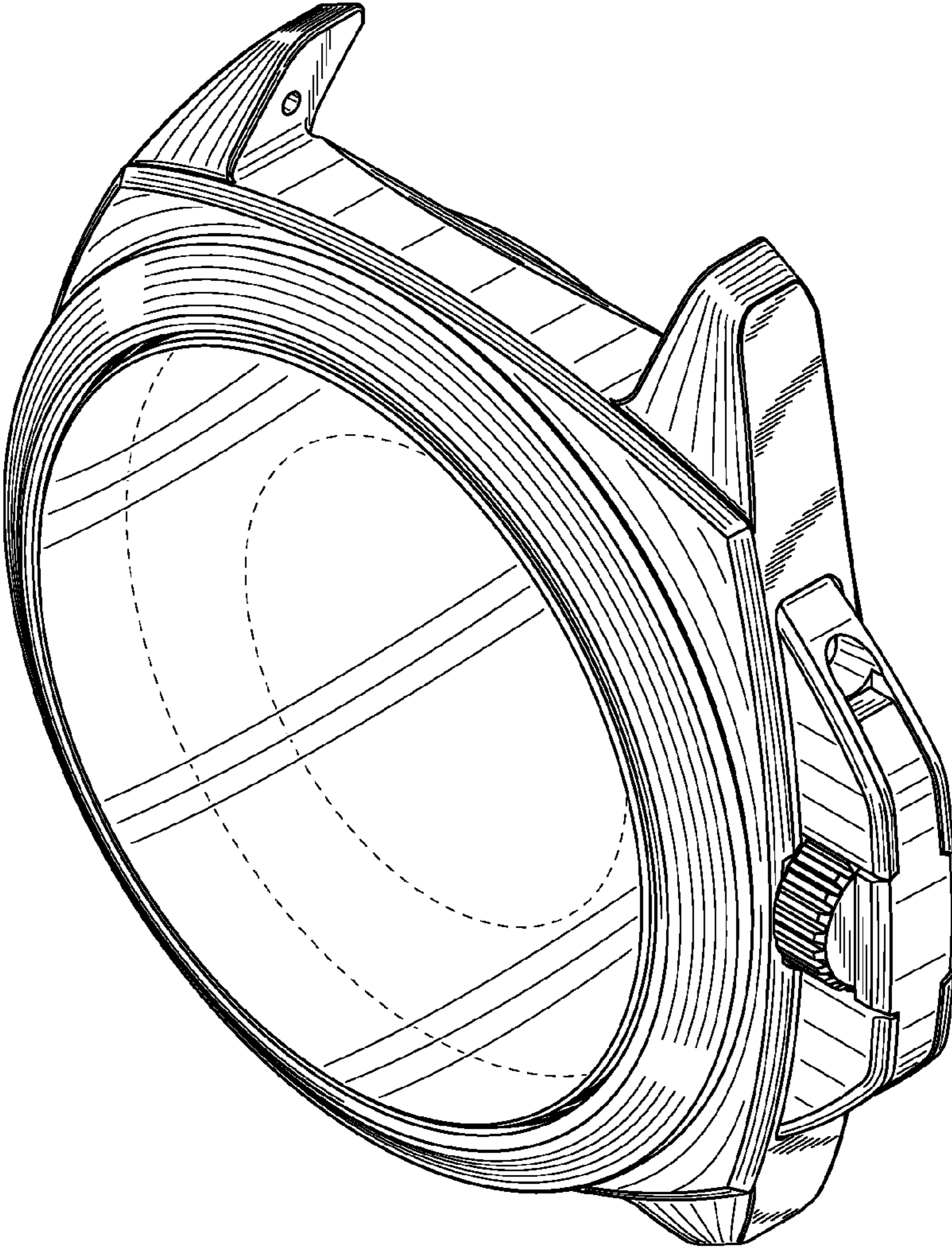
FIG. 1 is a perspective view thereof,  
 FIG. 2 is a front elevational view thereof,  
 FIG. 3 is a rear elevational view thereof,  
 FIG. 4 is a top plan view thereof,  
 FIG. 5 is a bottom plan view thereof,  
 FIG. 6 is a right side elevational view; and,  
 FIG. 7 is a left side elevational view thereof.

The broken lines are used in FIGS. 1 and 2 to show portions of the wrist watch case that do not form part of the claimed design.

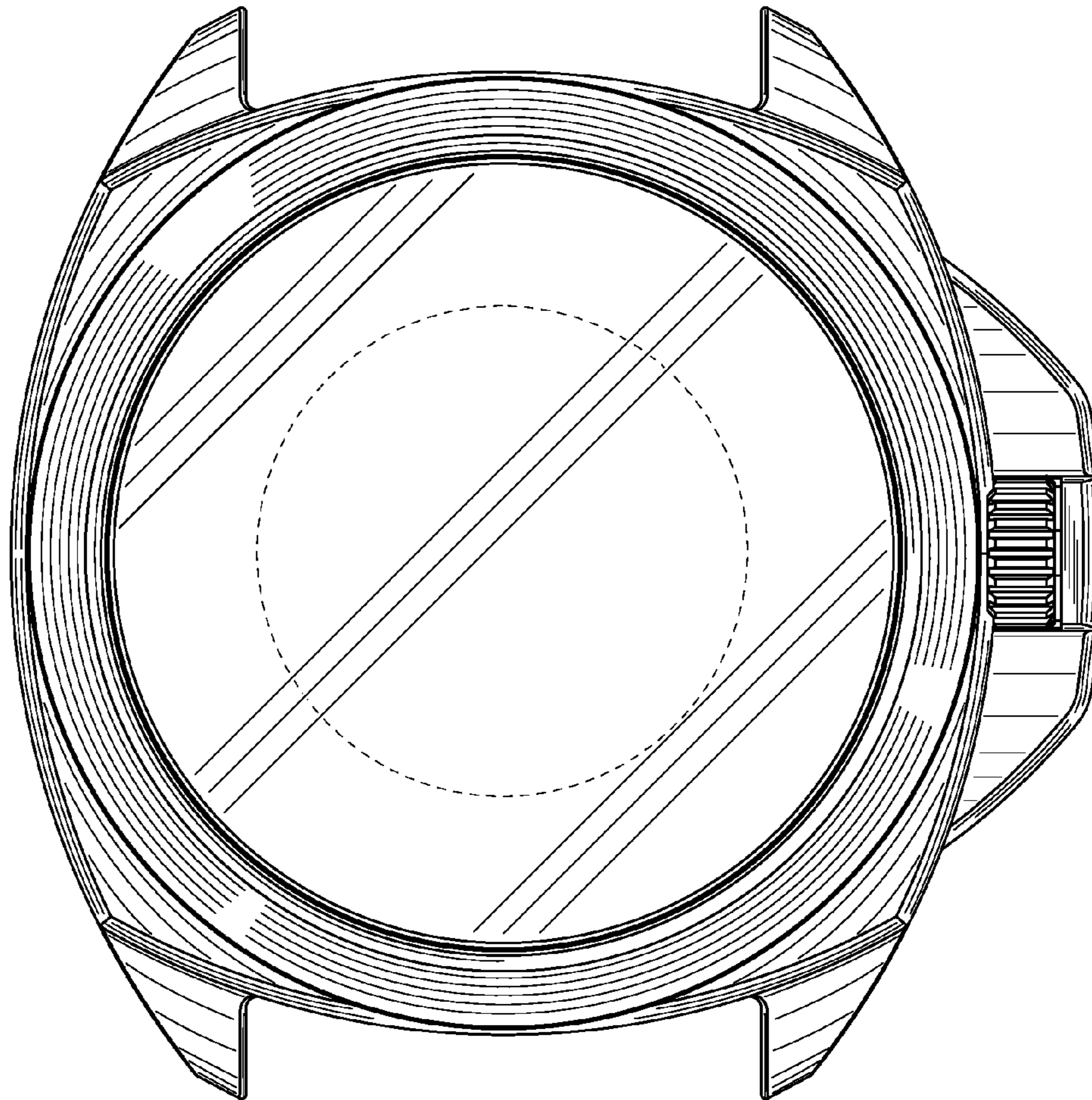
**1 Claim, 5 Drawing Sheets**



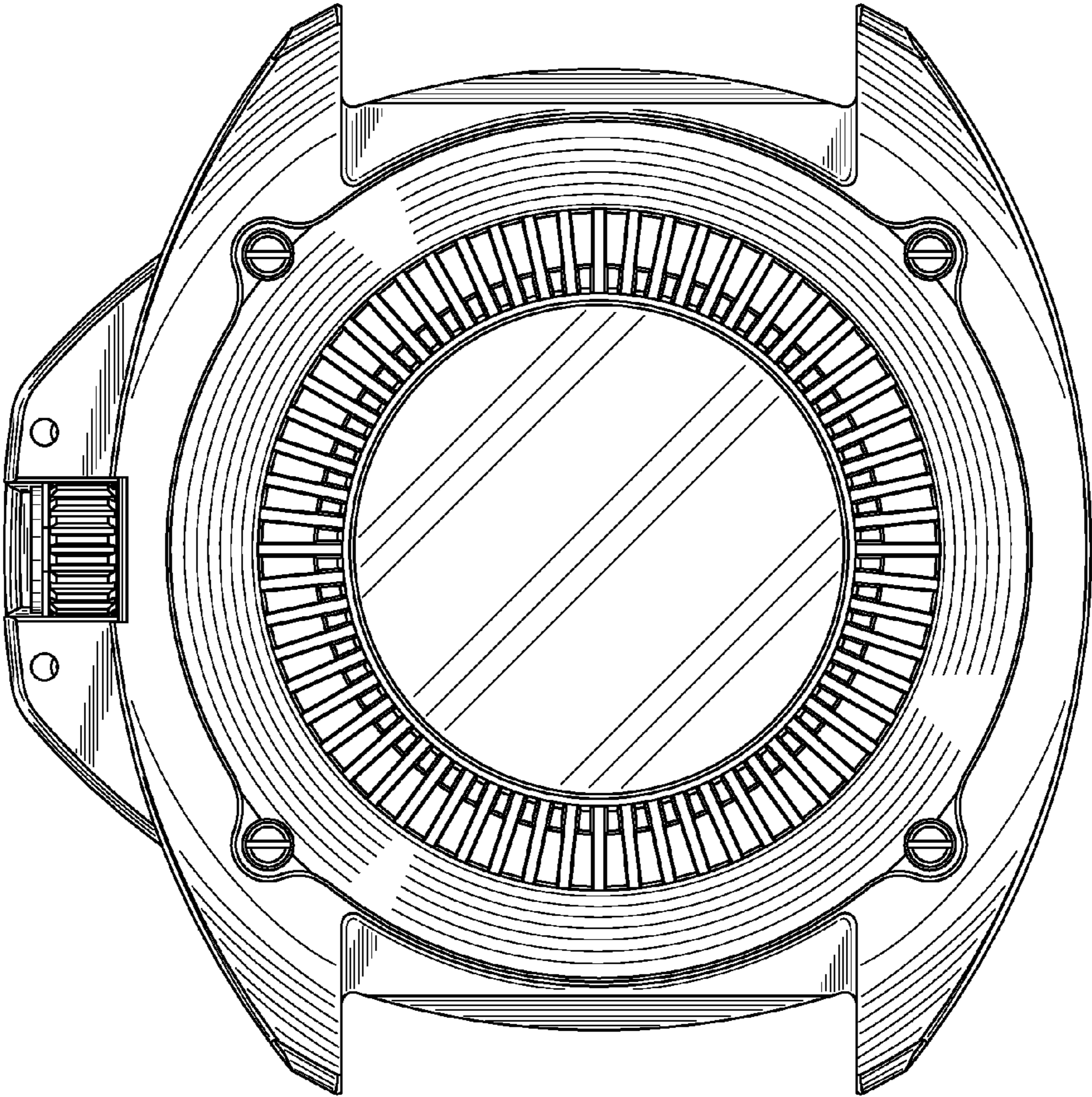
*FIG. 1*



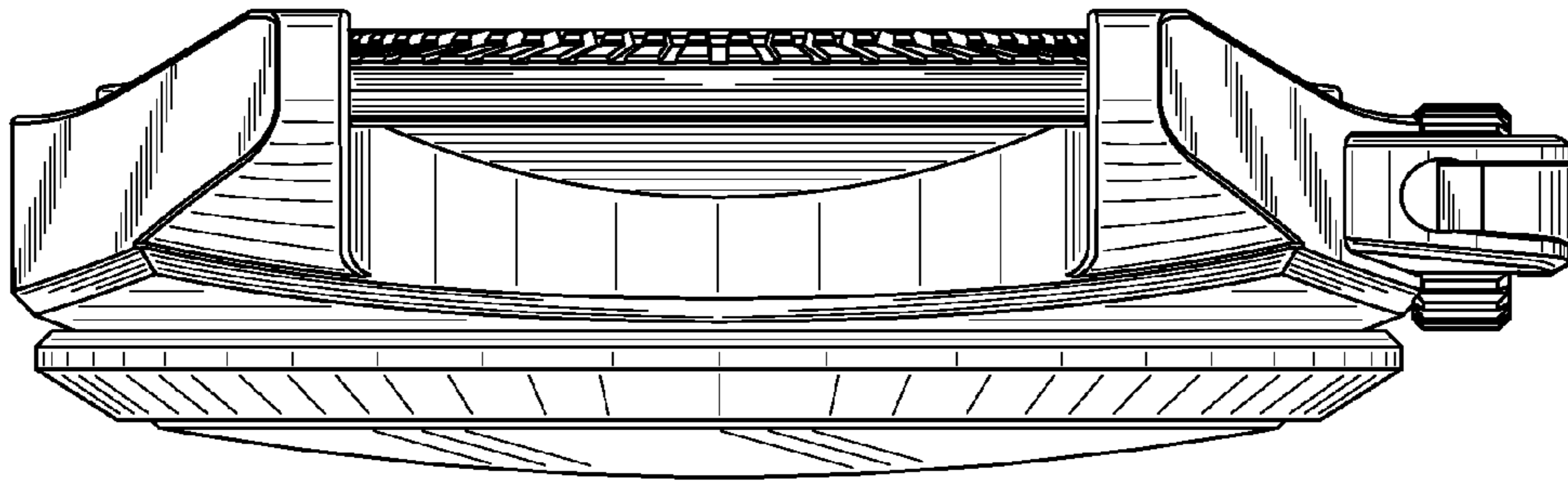
*FIG. 2*



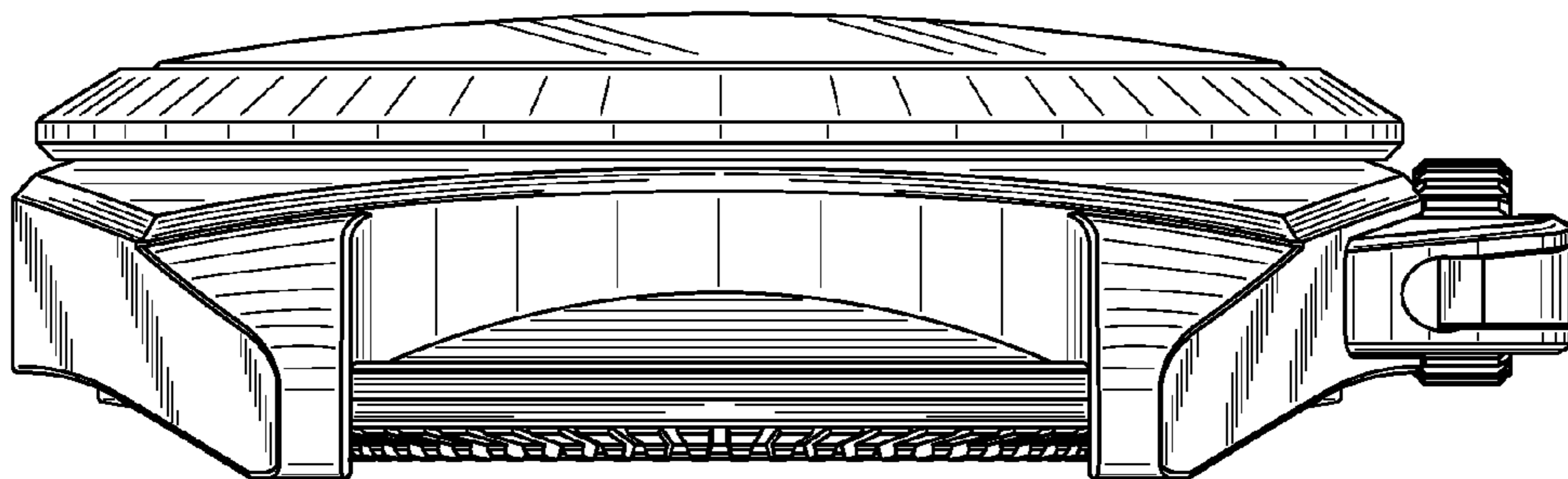
*FIG. 3*



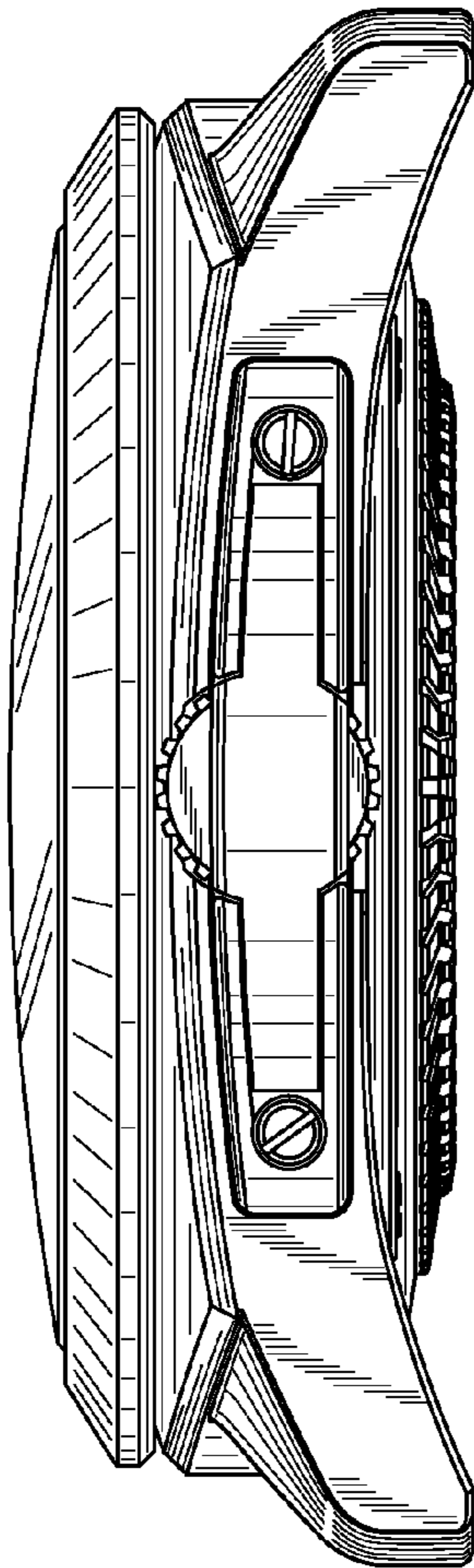
*FIG. 4*



*FIG. 5*



**FIG. 6**



**FIG. 7**

