



US00D694655S

(12) **United States Design Patent**  
**Rufenacht**

(10) **Patent No.:** **US D694,655 S**

(45) **Date of Patent:** **\*\* Dec. 3, 2013**

(54) **WATCH CASE**

(75) **Inventor:** **Laurent Rufenacht**, Port (CH)

(73) **Assignee:** **Leon Hatot SA (Leon Hatot AG) (Leon Hatot Ltd)**, Auvornier (CH)

(\*\*) **Term:** **14 Years**

(21) **Appl. No.:** **29/431,317**

(22) **Filed:** **Sep. 6, 2012**

(30) **Foreign Application Priority Data**

Mar. 6, 2012 (WO) ..... DM/077 867

(51) **LOC (9) Cl.** ..... **10-02**

(52) **U.S. Cl.**  
USPC ..... **D10/38**

(58) **Field of Classification Search**  
USPC ..... D10/30-39; 368/276, 281, 282  
See application file for complete search history.

(56) **References Cited**

**U.S. PATENT DOCUMENTS**

2,926,825	A *	3/1960	Wing	.....	224/164
D416,498	S *	11/1999	Blondin	.....	D10/39
D459,241	S *	6/2002	Bodino	.....	D10/32
D460,002	S *	7/2002	Wunderman	.....	D10/32

D484,423	S *	12/2003	Takahashi	.....	D10/32
D538,184	S *	3/2007	Scheufele	.....	D10/39
D574,733	S *	8/2008	Blair	.....	D10/32
D608,223	S *	1/2010	Salanitro	.....	D10/38
D618,565	S *	6/2010	Dolce et al.	.....	D10/38
D632,980	S *	2/2011	Yurman	.....	D10/38
D648,638	S *	11/2011	Monachon	.....	D10/39
D662,836	S *	7/2012	Ganz	.....	D10/38
D664,865	S *	8/2012	Luk Ying Yee	.....	D10/38
D675,111	S *	1/2013	Yurman	.....	D10/32
D678,081	S *	3/2013	Cabiddu	.....	D10/38

\* cited by examiner

*Primary Examiner* — Lucy Lieberman

(74) *Attorney, Agent, or Firm* — Donald J. Ranft; Collen IP

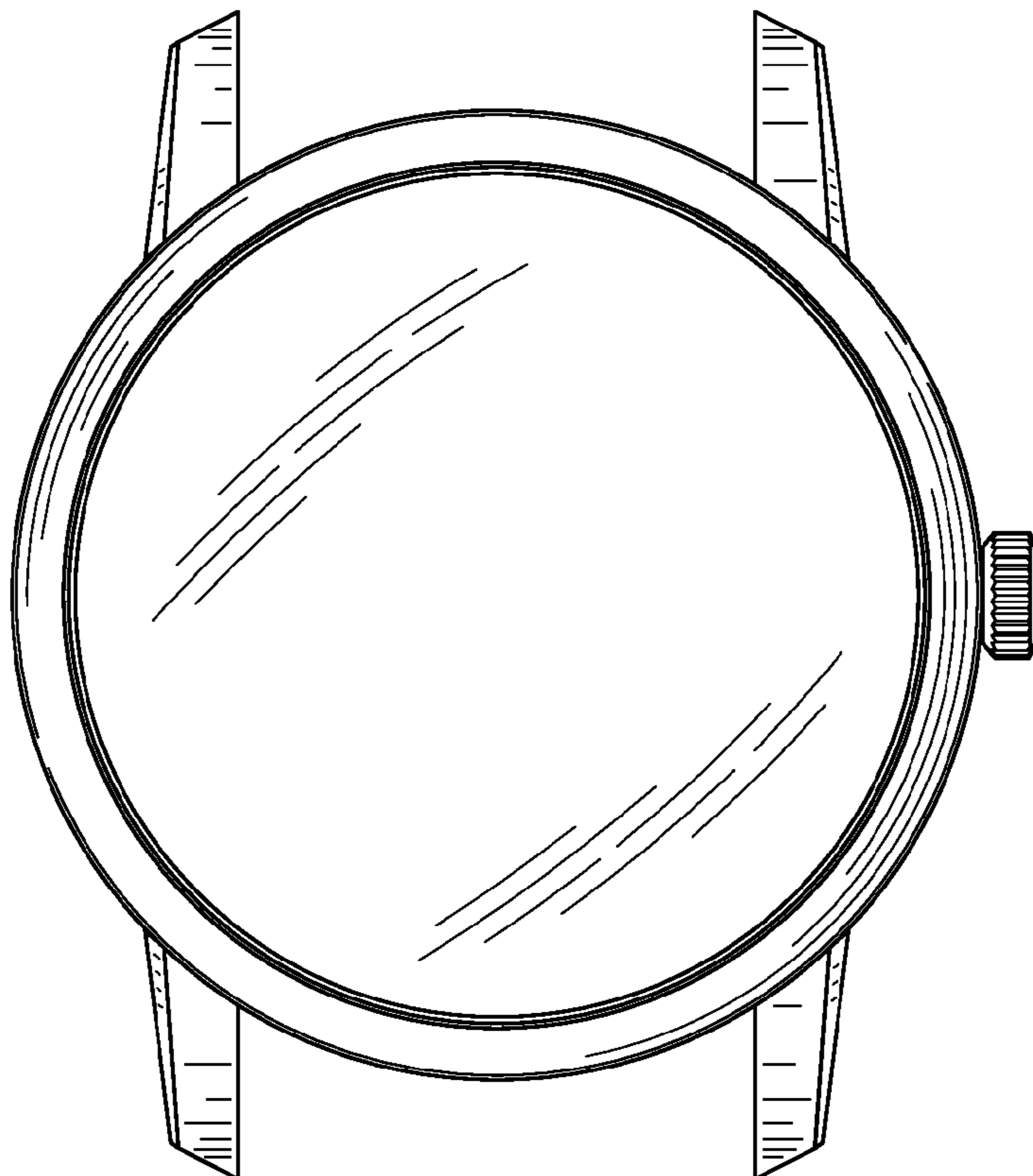
(57) **CLAIM**

The ornamental design for a watch case, as shown.

**DESCRIPTION**

FIG. 1 is a front right perspective view of a watch case showing our new design;  
FIG. 2 is a front left perspective view thereof;  
FIG. 3 is a front view thereof;  
FIG. 4 is a rear view thereof;  
FIG. 5 is a right side view thereof;  
FIG. 6 is a left side view thereof;  
FIG. 7 is a top view thereof;  
FIG. 8 is a bottom view thereof; and,  
FIG. 9 is a rear perspective view thereof.

**1 Claim, 4 Drawing Sheets**



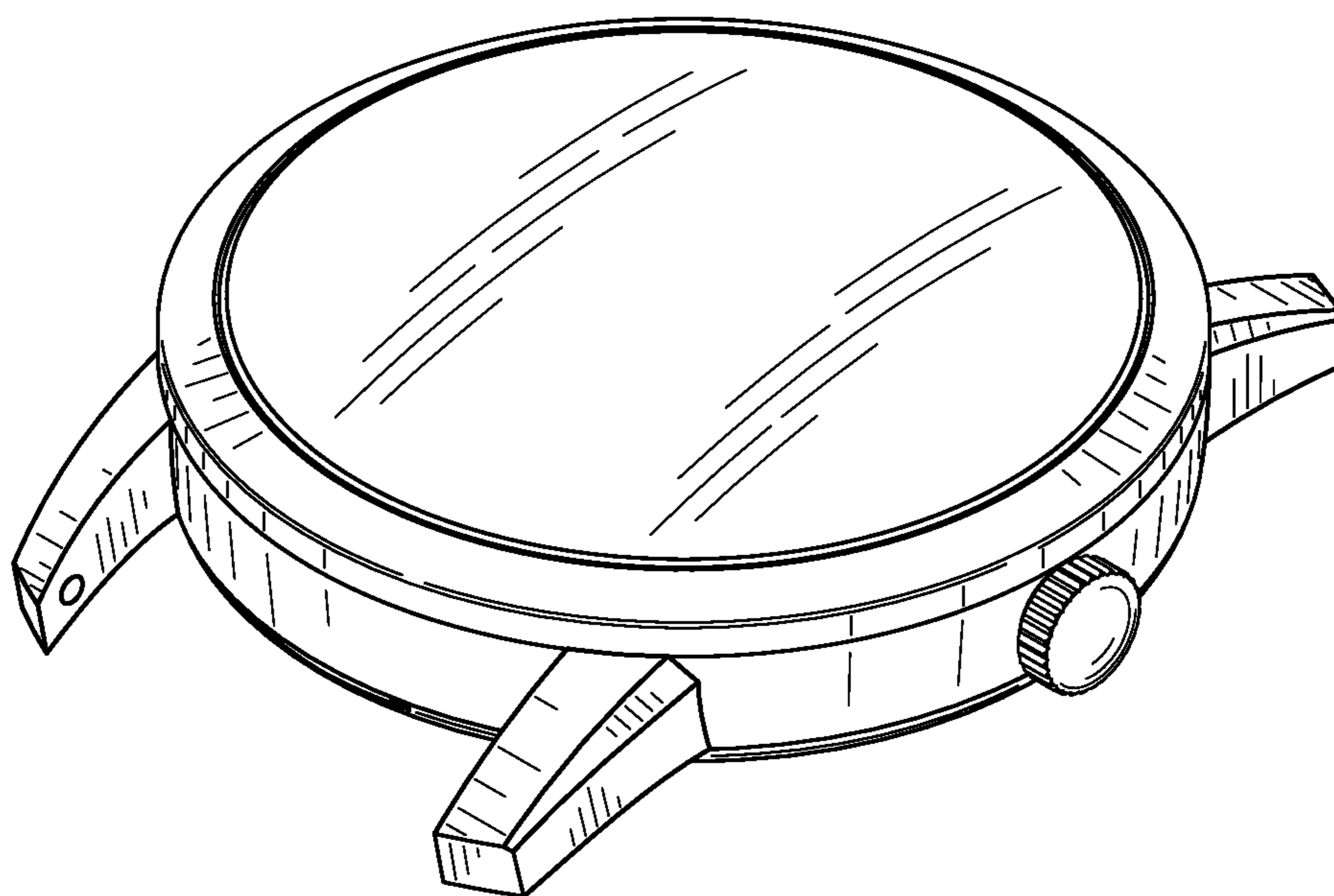


FIG. 1

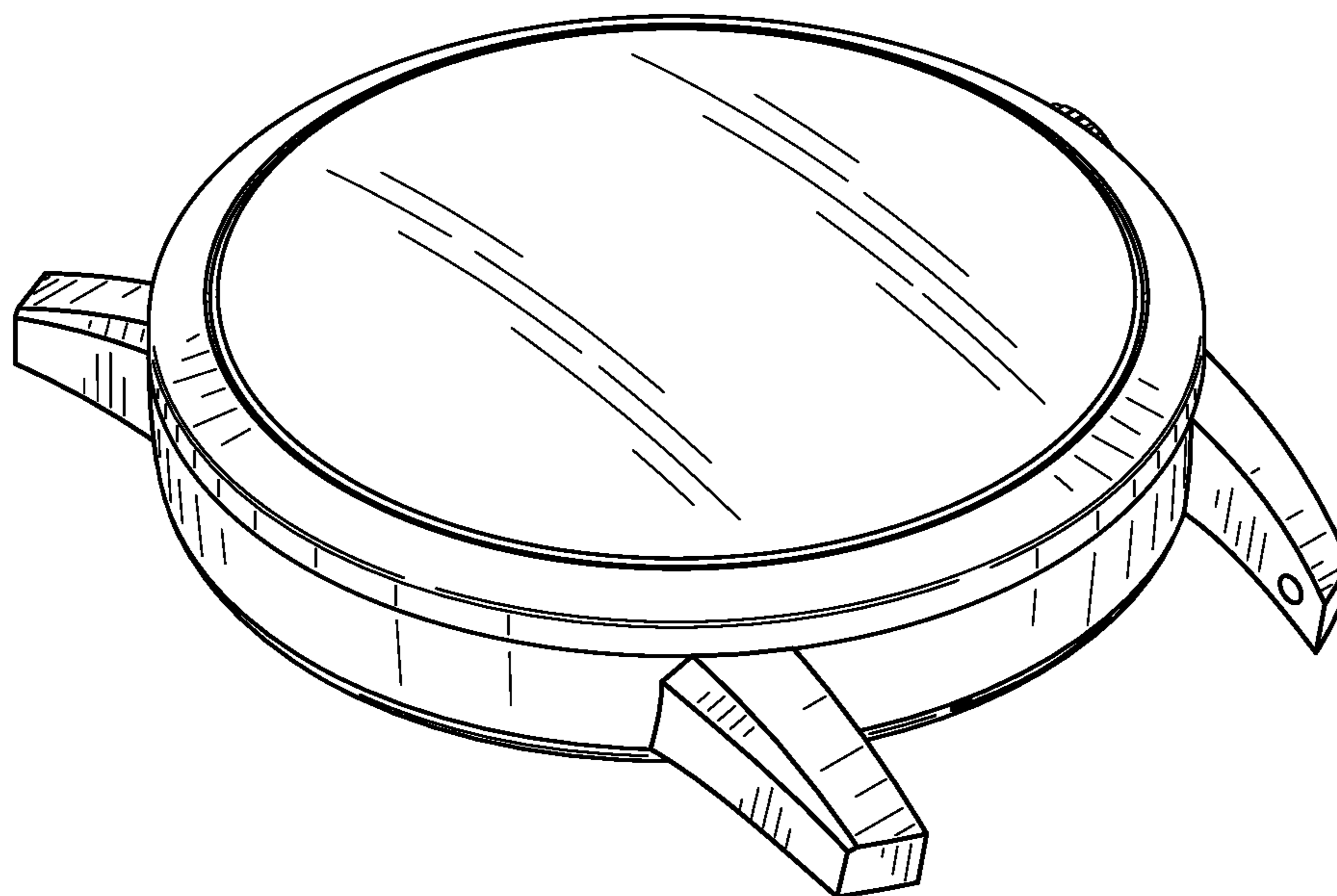


FIG. 2

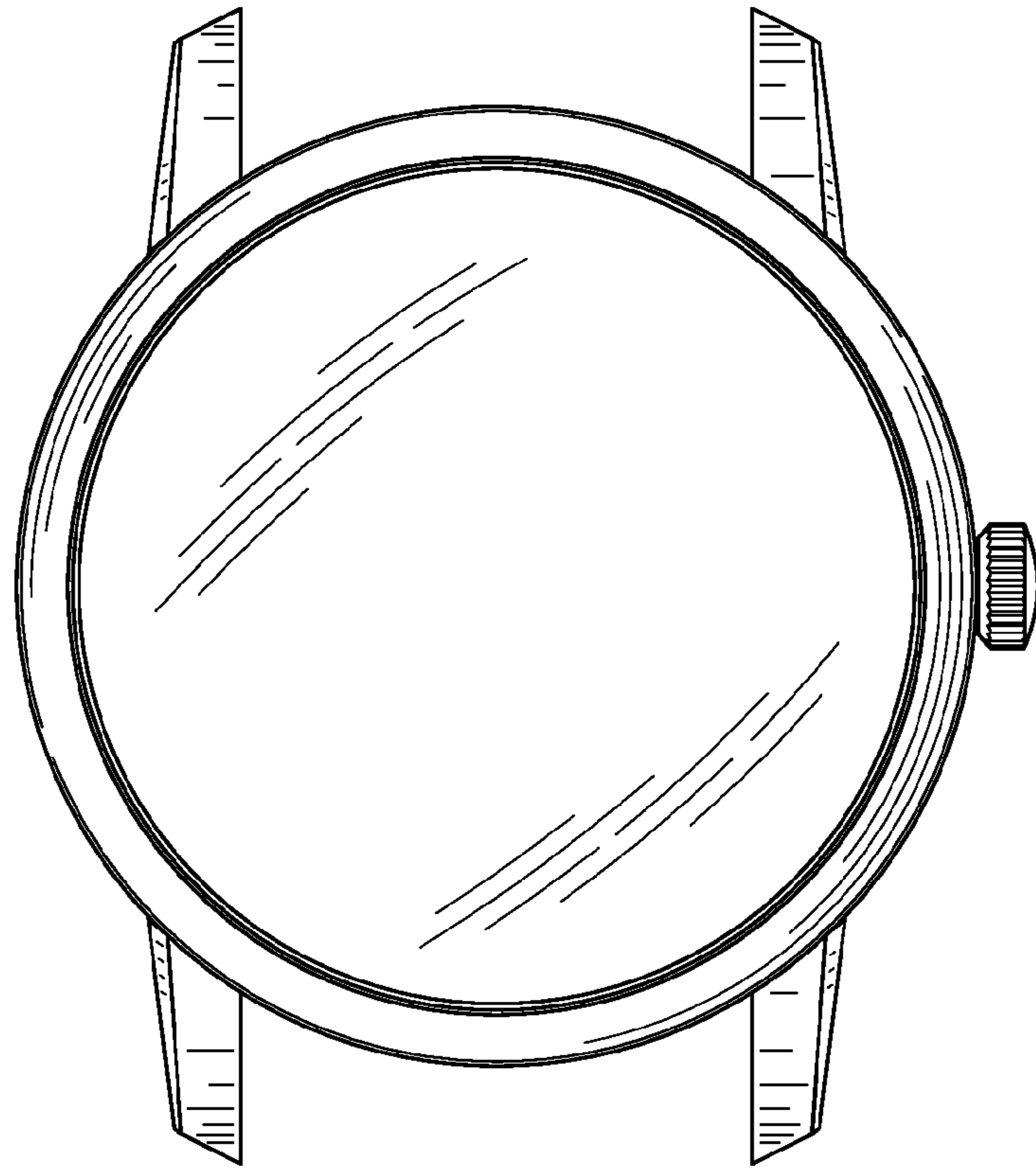


FIG. 3

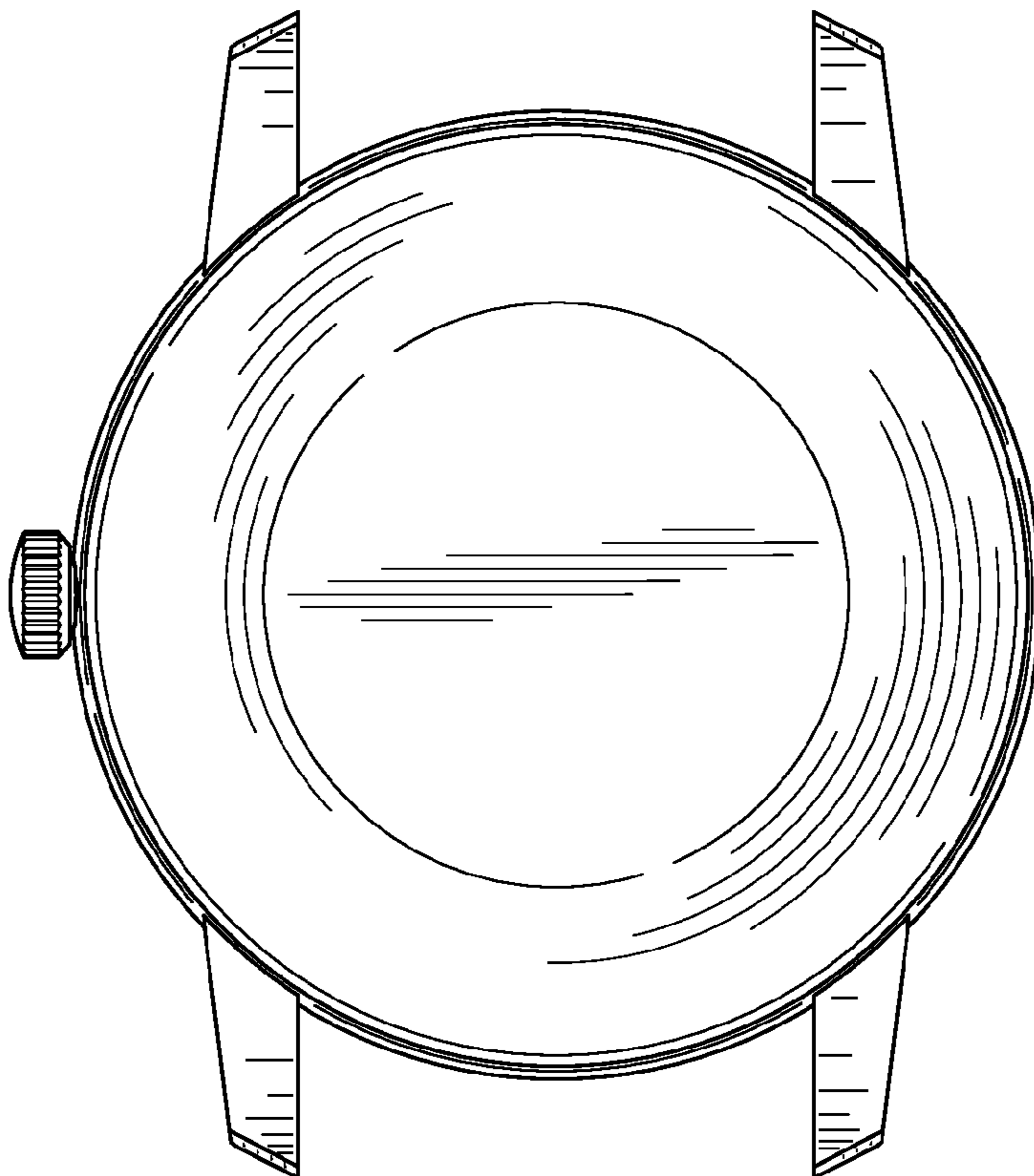


FIG. 4

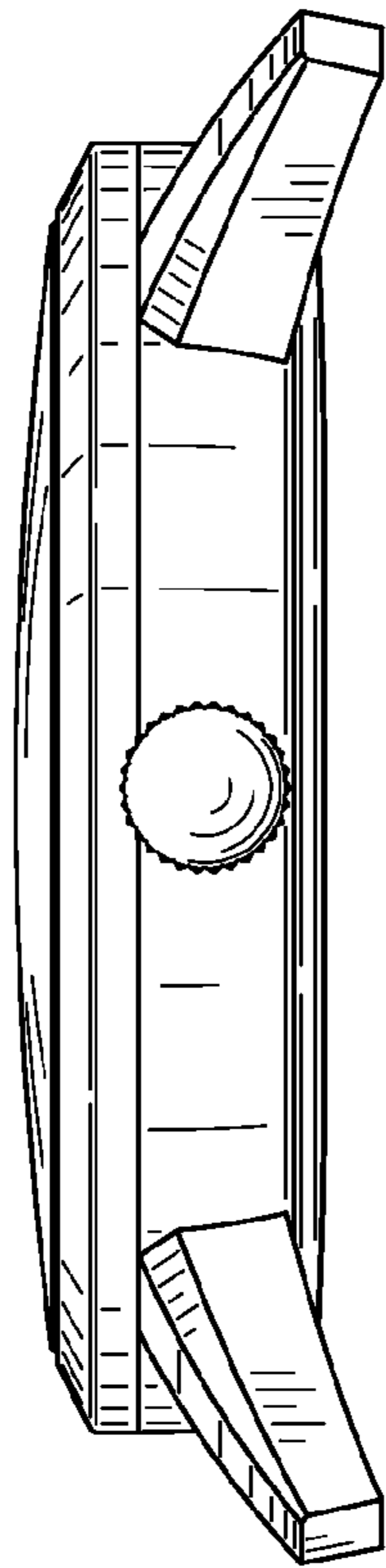


FIG. 5



FIG. 6

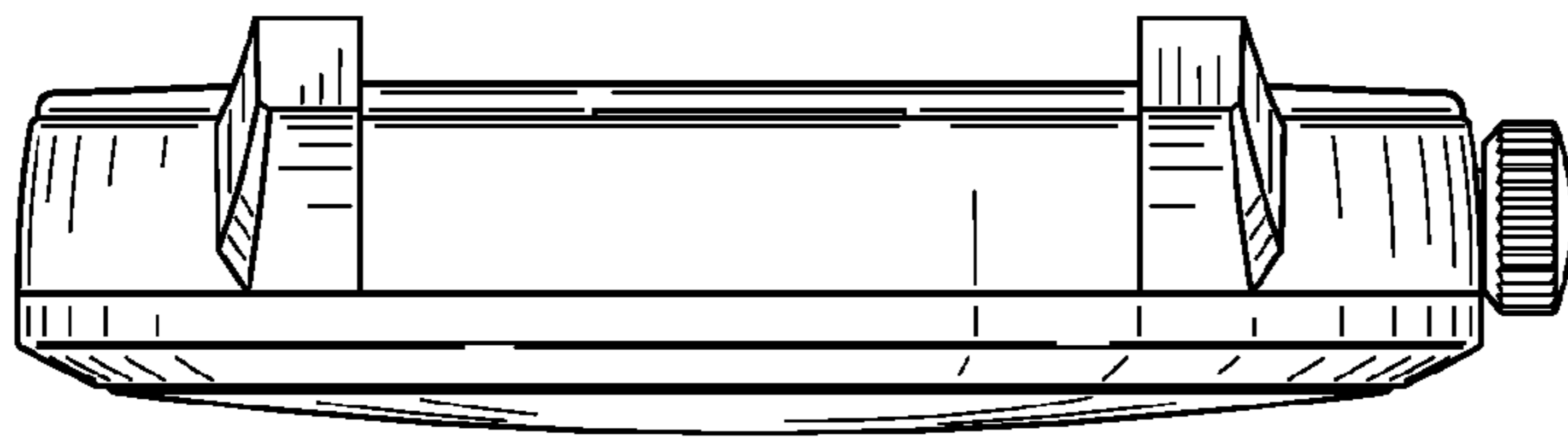


FIG. 7

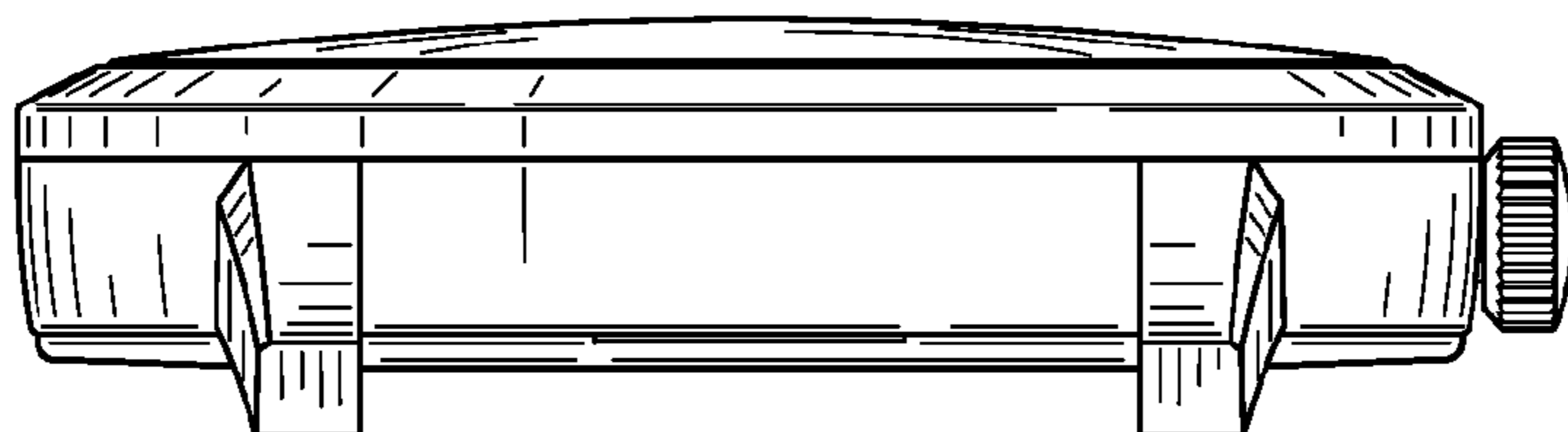


FIG. 8

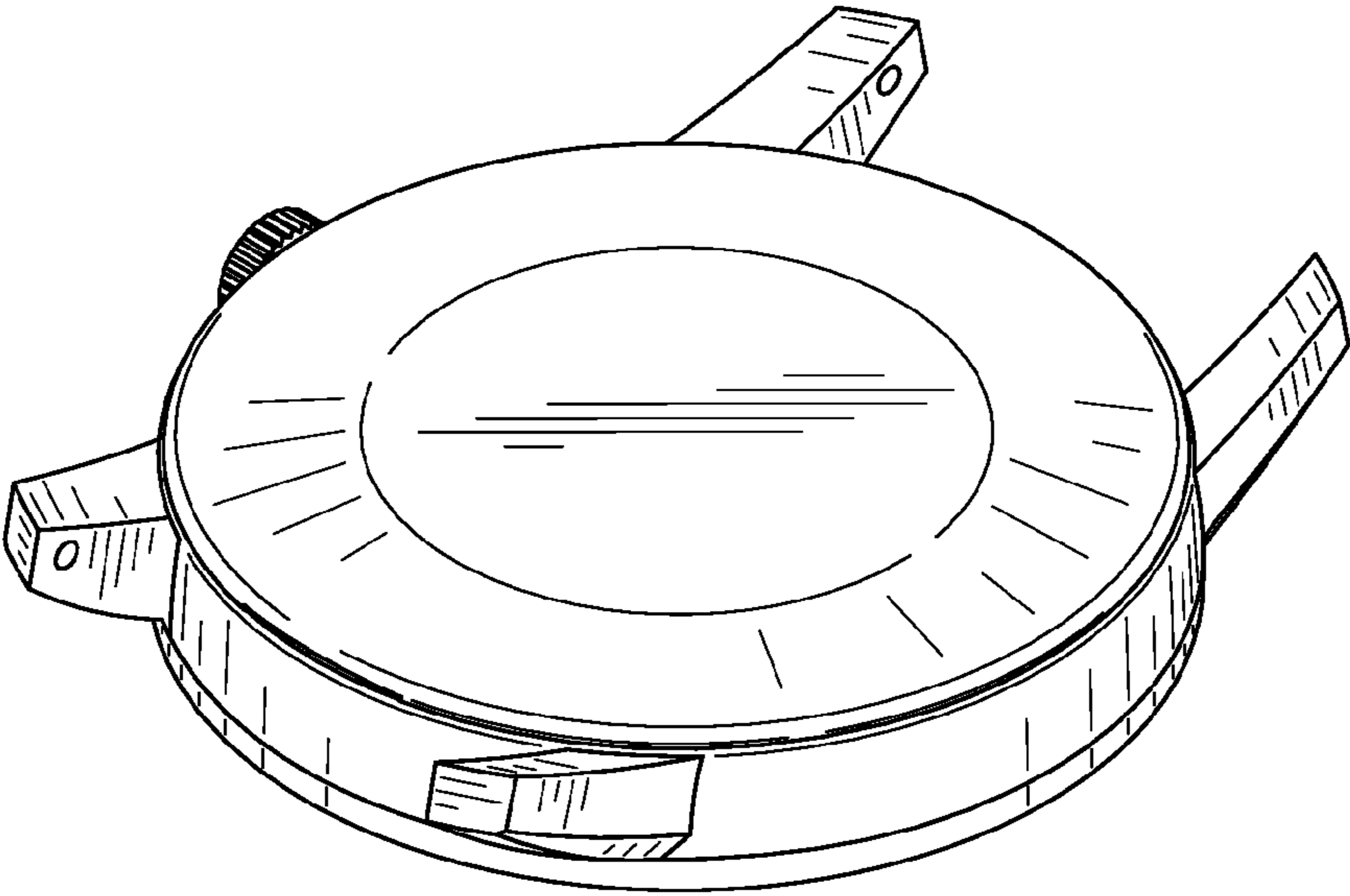


FIG. 9