

US00D694653S

(12) **United States Design Patent**  
**Hsu**

(10) **Patent No.:** **US D694,653 S**  
(45) **Date of Patent:** **\*\* Dec. 3, 2013**

- (54) **CLOCK**
- (71) Applicant: **Hua Wen Hsu**, Taipei (TW)
- (72) Inventor: **Hua Wen Hsu**, Taipei (TW)
- (\*\*) Term: **14 Years**
- (21) Appl. No.: **29/444,241**
- (22) Filed: **Jan. 28, 2013**
- (51) **LOC (9) Cl.** ..... **10-01**
- (52) **U.S. Cl.**  
USPC ..... **D10/15**
- (58) **Field of Classification Search**  
USPC ..... D10/1-29, 122-132, 40; 368/11, 316,  
368/317, 239, 240, 241, 242, 72, 73, 262,  
368/263, 250; D14/170, 171  
See application file for complete search history.

4,430,005 A *	2/1984	Nishimura	.....	368/67
D300,306 S *	3/1989	Arnoux et al.	.....	D10/78
D310,032 S *	8/1990	Murata	.....	D10/15
D337,276 S *	7/1993	Yuen	.....	D10/2
5,373,488 A *	12/1994	Lidor	.....	368/13
D605,625 S *	12/2009	Skurdal	.....	D14/171
D614,200 S *	4/2010	Skurdal	.....	D14/496
D615,959 S *	5/2010	Xiao	.....	D14/171
D656,919 S *	4/2012	Skurdal	.....	D14/171
D659,670 S *	5/2012	Goetzen et al.	.....	D14/194
D674,779 S *	1/2013	Joseph	.....	D14/214

\* cited by examiner

*Primary Examiner* — Lucy Lieberman  
(74) *Attorney, Agent, or Firm* — Chun-Ming Shih

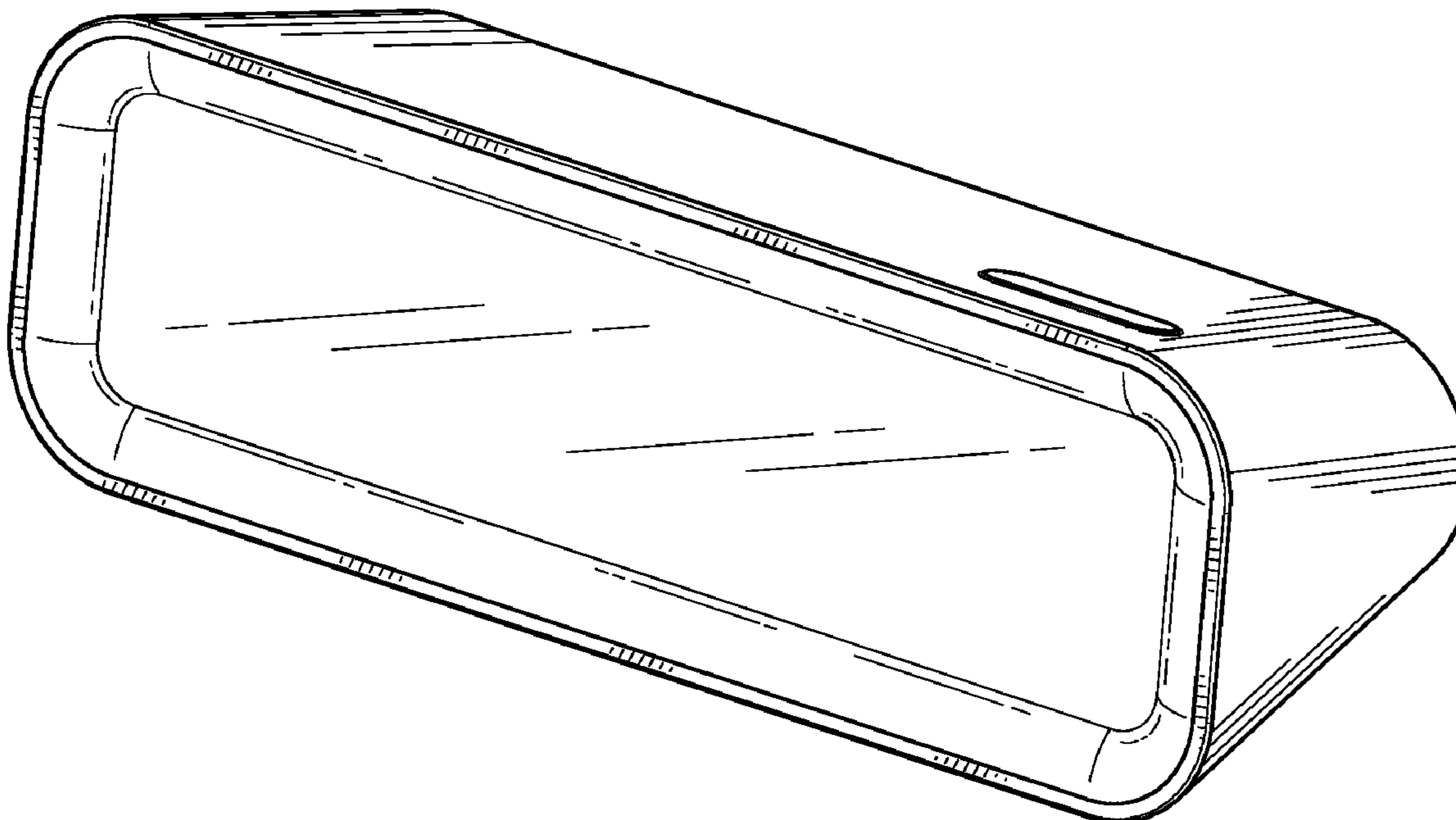
(57) **CLAIM**  
The ornamental design for a clock, as shown and described.

**DESCRIPTION**

FIG. 1 is a perspective view of a clock showing my new design;  
FIG. 2 is a front elevational view thereof;  
FIG. 3 is a rear elevational view thereof;  
FIG. 4 is a left side view thereof;  
FIG. 5 is a right side view thereof;  
FIG. 6 is a top plan view thereof; and,  
FIG. 7 is a bottom plan view thereof.  
The broken line showing is for illustrative purposes only and forms no part of the claimed design.

**1 Claim, 5 Drawing Sheets**

- (56) **References Cited**  
U.S. PATENT DOCUMENTS
- |               |         |                 |       |         |
|---------------|---------|-----------------|-------|---------|
| D228,514 S *  | 10/1973 | Watanabe        | ..... | D10/3   |
| D228,515 S *  | 10/1973 | Watanabe        | ..... | D10/3   |
| D240,023 S *  | 5/1976  | Danz            | ..... | D10/15  |
| D252,301 S *  | 7/1979  | McCarty         | ..... | D6/397  |
| D255,432 S *  | 6/1980  | Talesfore       | ..... | D10/15  |
| D258,820 S *  | 4/1981  | Hamada          | ..... | D14/171 |
| D259,788 S *  | 7/1981  | Miyanaga et al. | ..... | D14/171 |
| D261,237 S *  | 10/1981 | Haufe           | ..... | D10/15  |
| 4,307,460 A * | 12/1981 | Polonsky        | ..... | 368/74  |
| D263,124 S *  | 2/1982  | Dennis          | ..... | D10/1   |



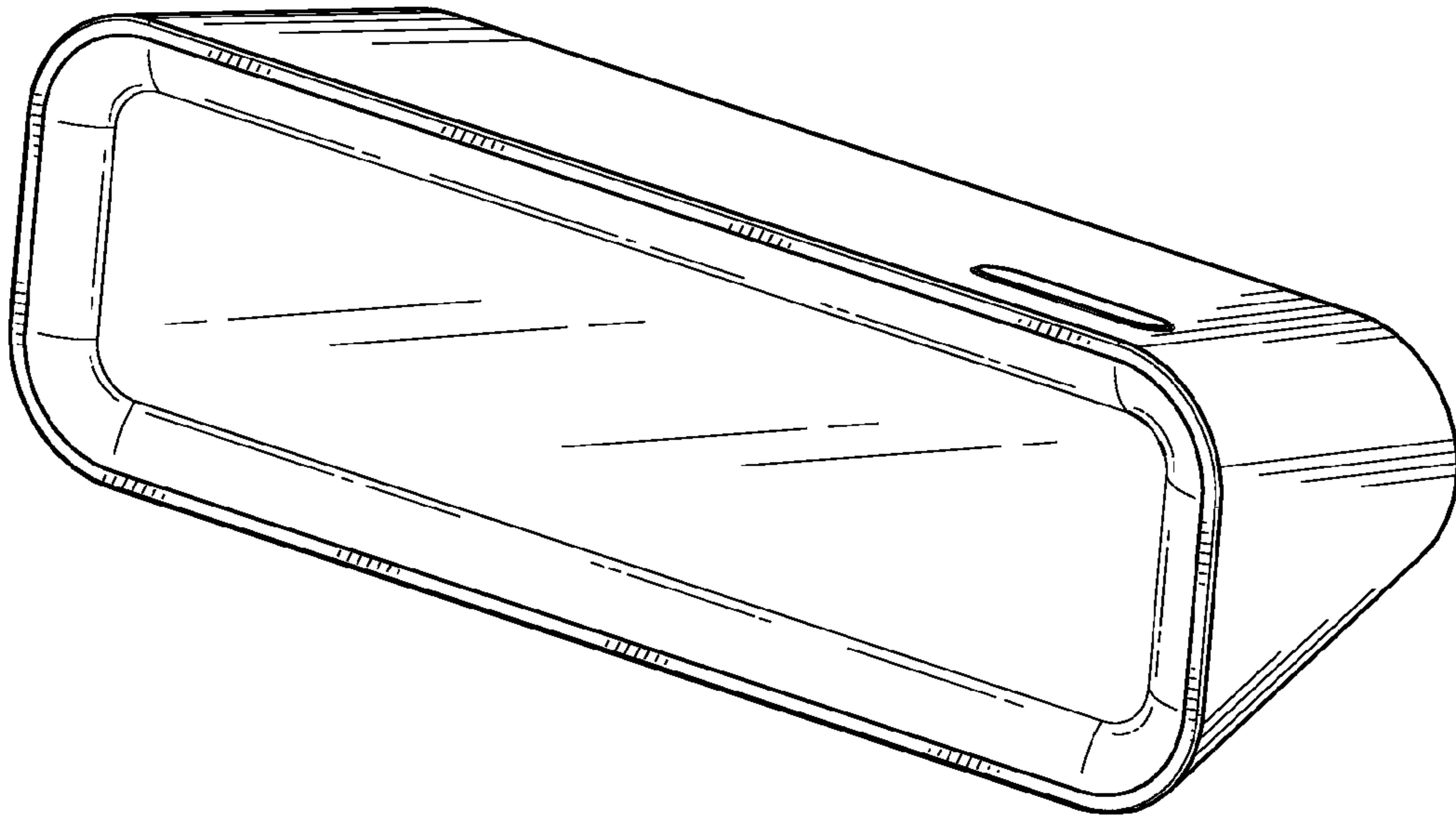


FIG. 1

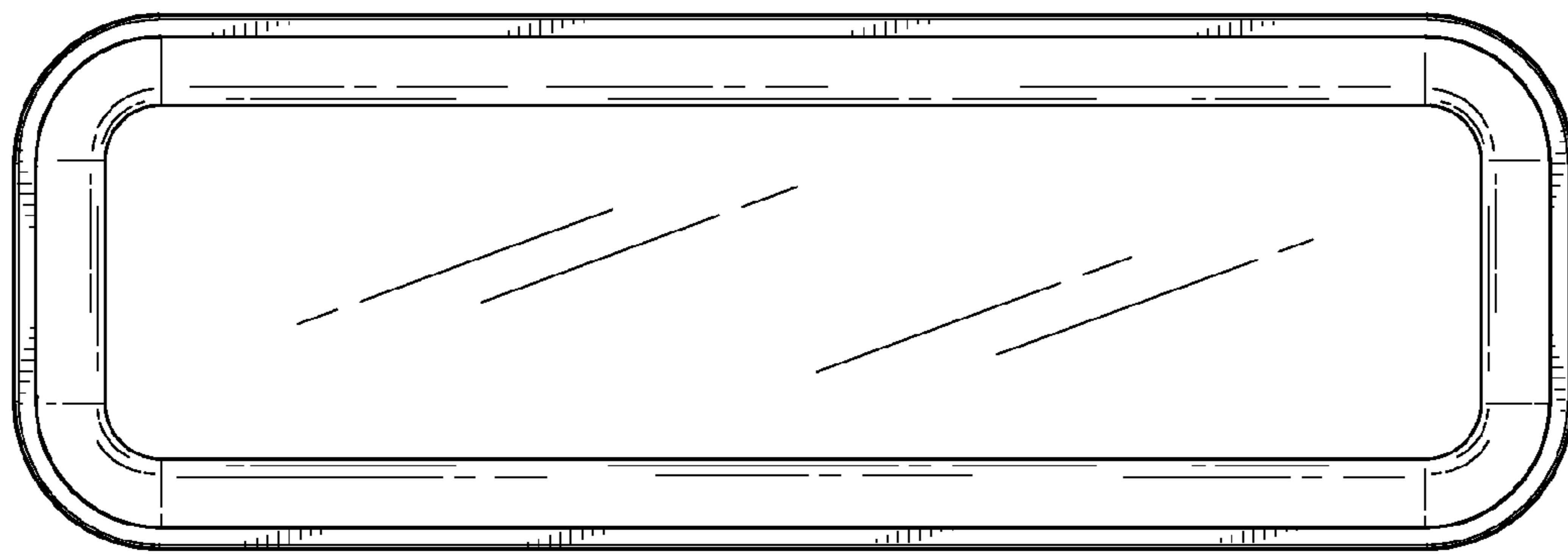


FIG. 2



FIG. 3

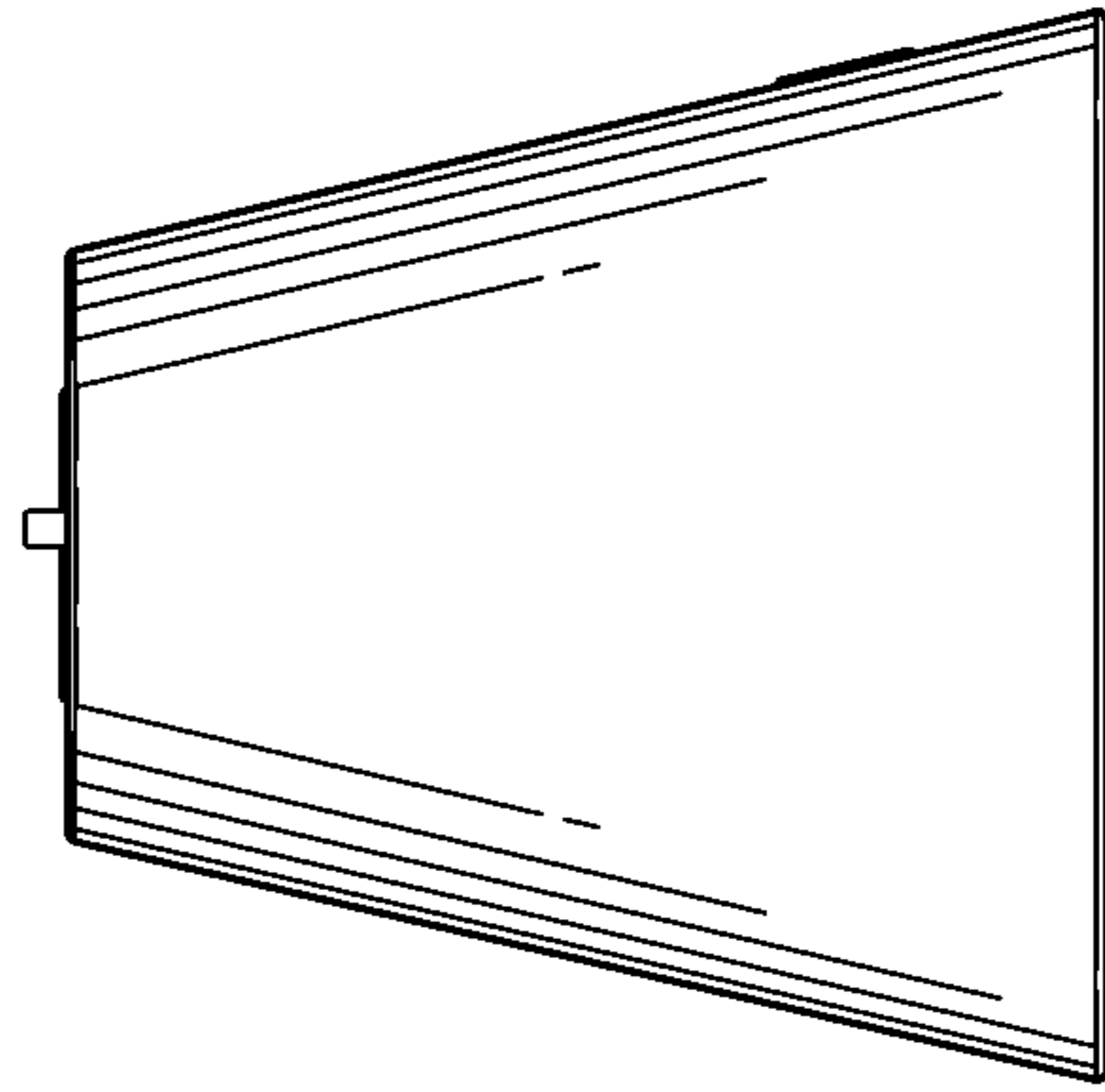


FIG. 4

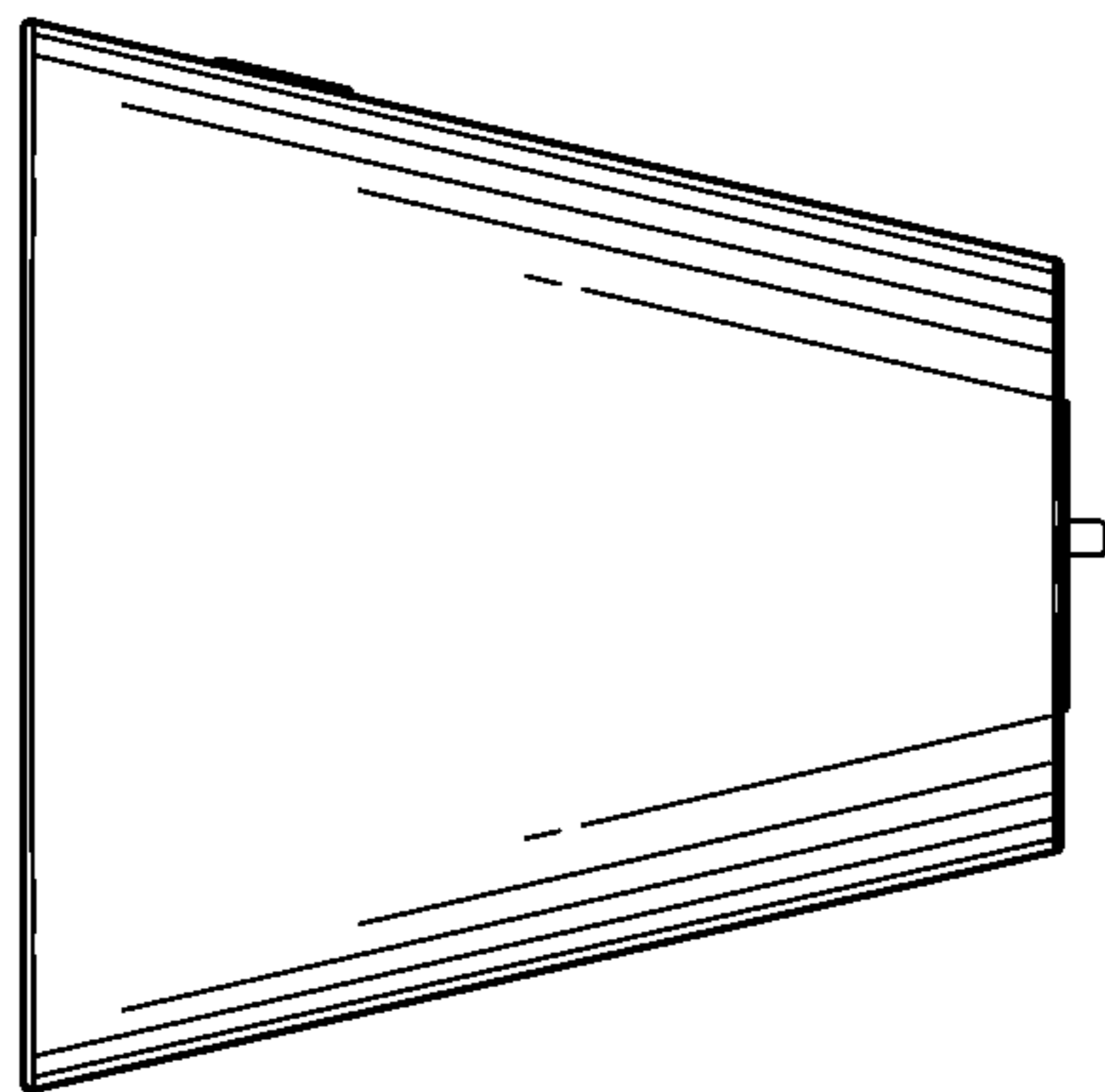


FIG. 5

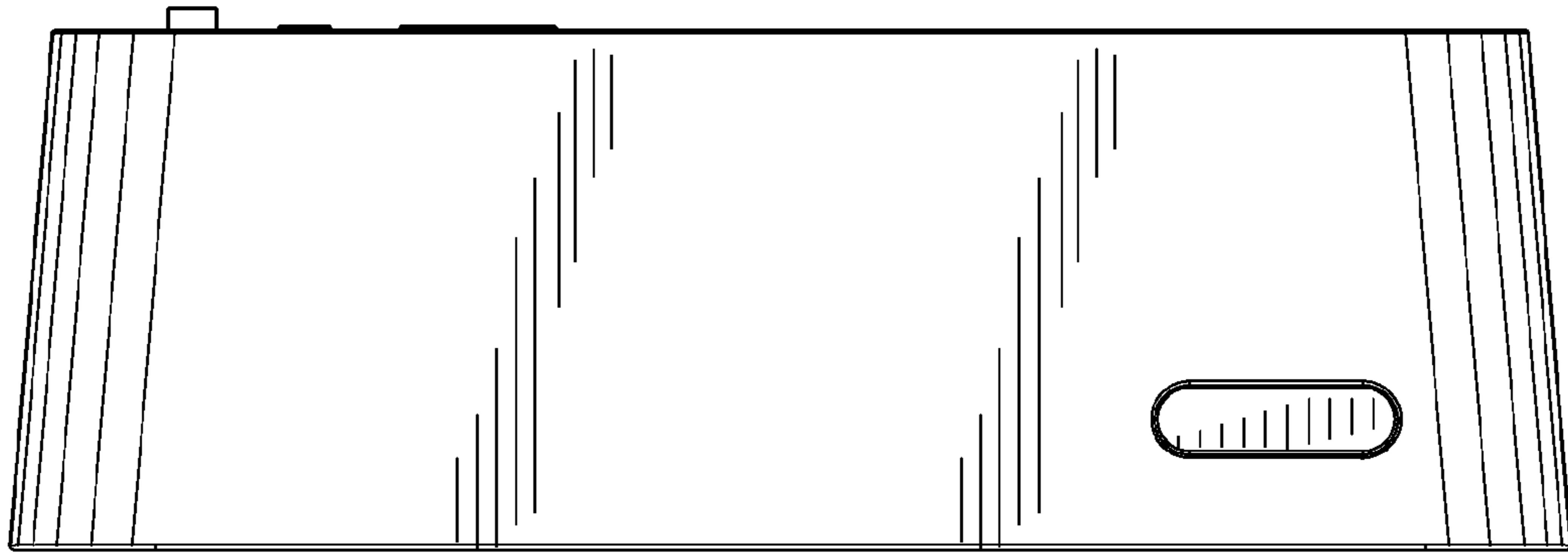


FIG. 6

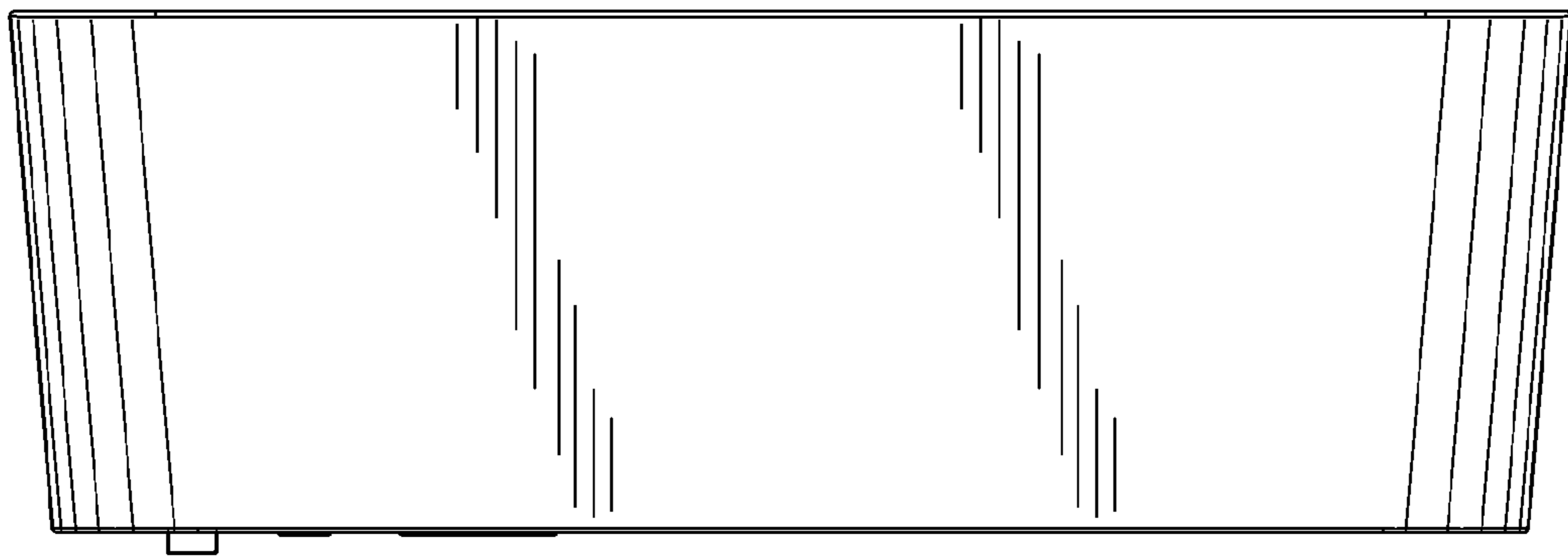


FIG. 7