



US00D694645S

(12) **United States Design Patent**  
**Limback et al.**

(10) **Patent No.:** **US D694,645 S**  
(45) **Date of Patent:** **\*\* Dec. 3, 2013**

- (54) **X-SHAPED BLISTER CARD**
- (75) Inventors: **Nancy Gail Limback**, Bridgewater, NJ (US); **Donald Edward Luzynski**, Bridgewater, NJ (US)
- (73) Assignee: **Aventisub II Inc.**, Greenville, DE (US)
- (\*\*) Term: **14 Years**
- (21) Appl. No.: **29/428,727**
- (22) Filed: **Aug. 2, 2012**
- (51) **LOC (9) Cl.** ..... **09-01**
- (52) **U.S. Cl.**  
USPC ..... **D9/652; D9/732**
- (58) **Field of Classification Search**  
USPC ..... D9/600, 652, 730–733, 414–415, 420, D9/423–426; 206/457, 461–471, 495  
See application file for complete search history.

- D306,883 S \* 3/1990 Ukisu ..... D3/271.12
- D313,182 S \* 12/1990 Diepois ..... D9/415
- D369,097 S \* 4/1996 Dinand ..... D9/686
- D369,098 S \* 4/1996 Dinand ..... D9/686
- D545,690 S \* 7/2007 Tsutsumi et al. .... D9/732

\* cited by examiner

*Primary Examiner* — Sandra Morris

(74) *Attorney, Agent, or Firm* — Scully, Scott, Murphy & Presser, P.C.

(57) **CLAIM**

The ornamental design for an X-shaped blister card, as shown.

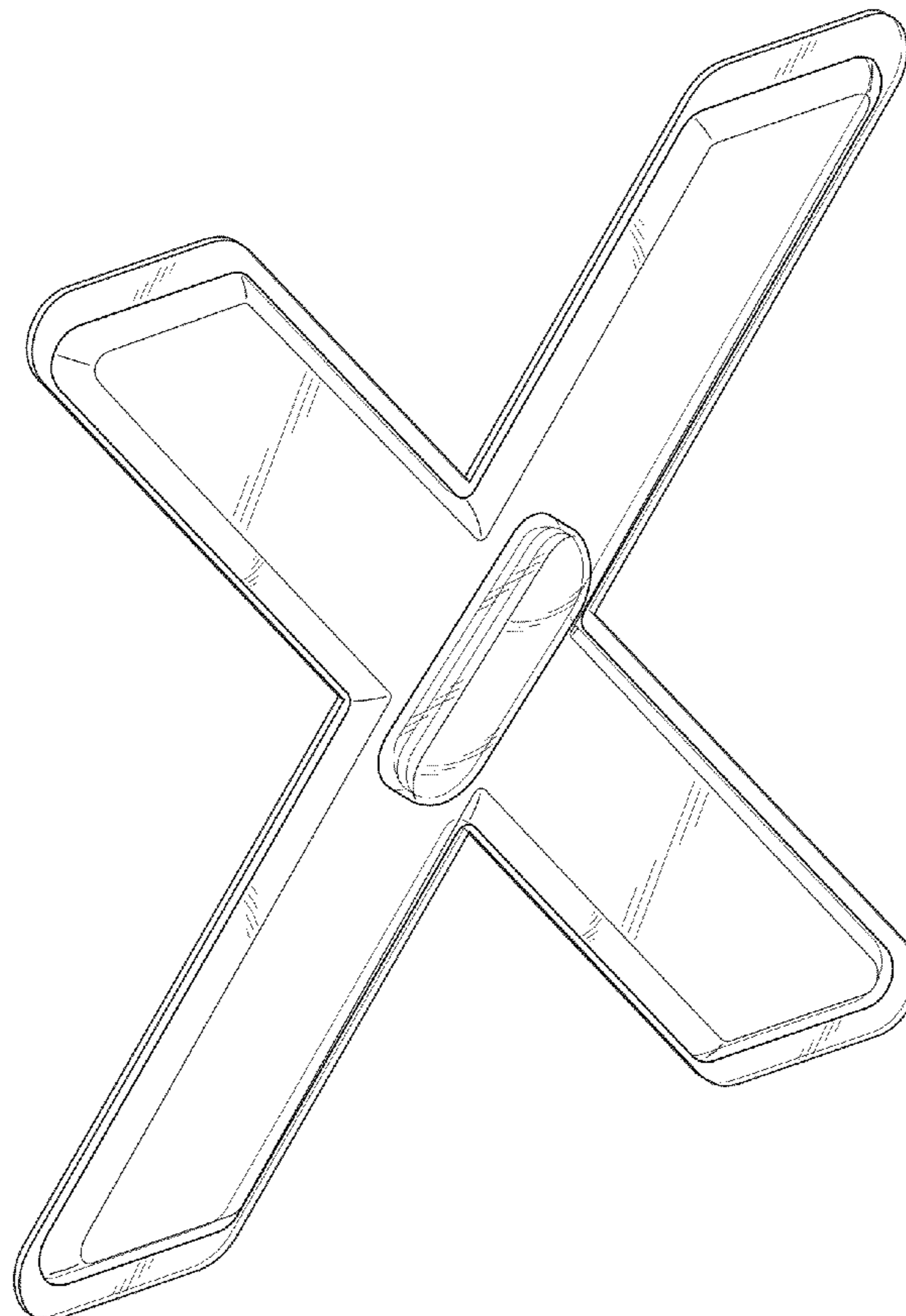
**DESCRIPTION**

FIG. 1 is a perspective view of an X-shaped blister card showing our new design;  
FIG. 2 is a front elevation view thereof;  
FIG. 3 is a rear elevation view thereof;  
FIG. 4 is a side elevation view thereof;  
FIG. 5 is an opposite side elevation view thereof;  
FIG. 6 is a top view thereof; and,  
FIG. 7 is a bottom view thereof.

**1 Claim, 5 Drawing Sheets**

(56) **References Cited**  
U.S. PATENT DOCUMENTS

- D114,009 S \* 3/1939 Blunt ..... D9/652
- 4,063,640 A \* 12/1977 Wilkinson ..... 206/231



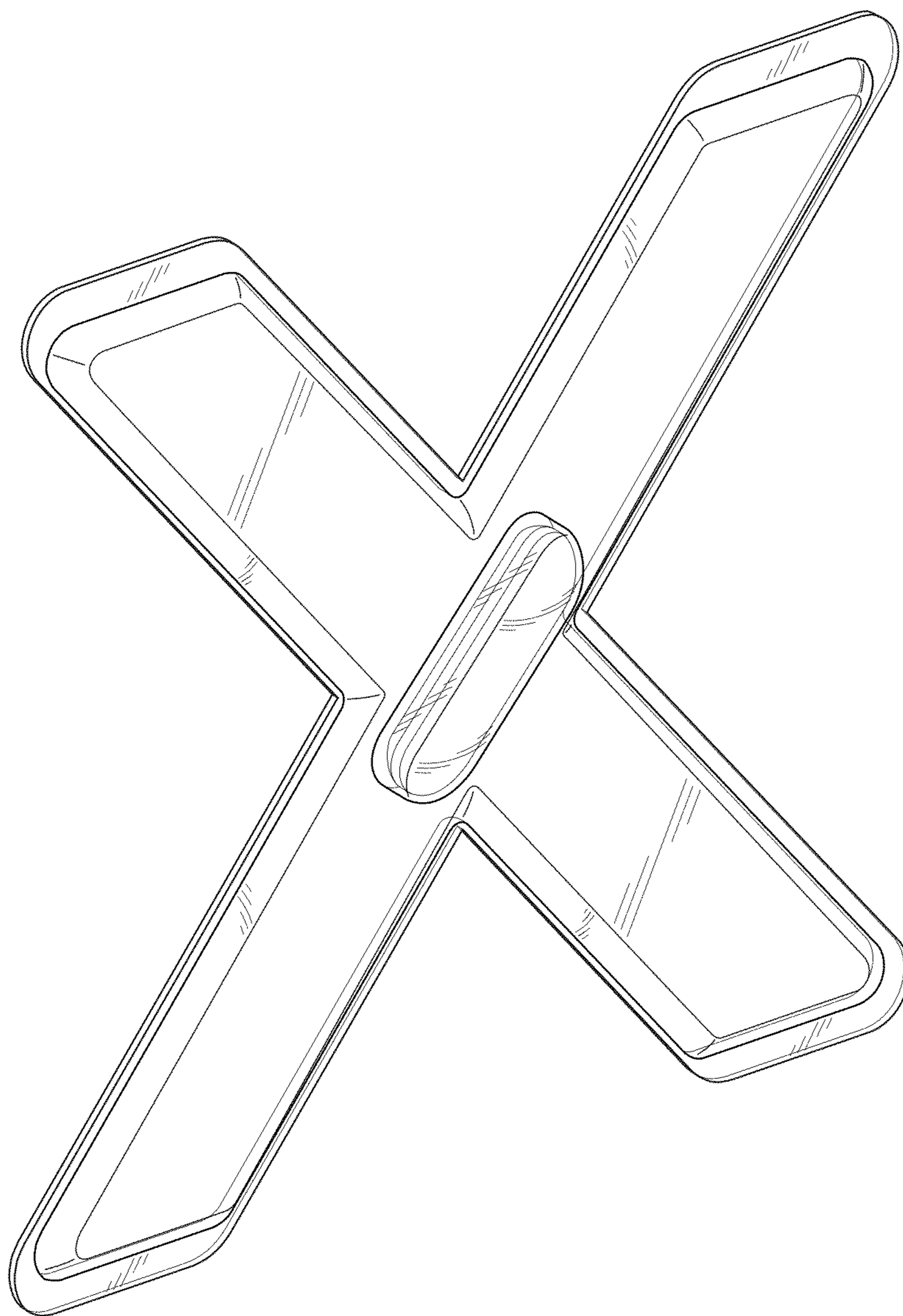


FIG. 1

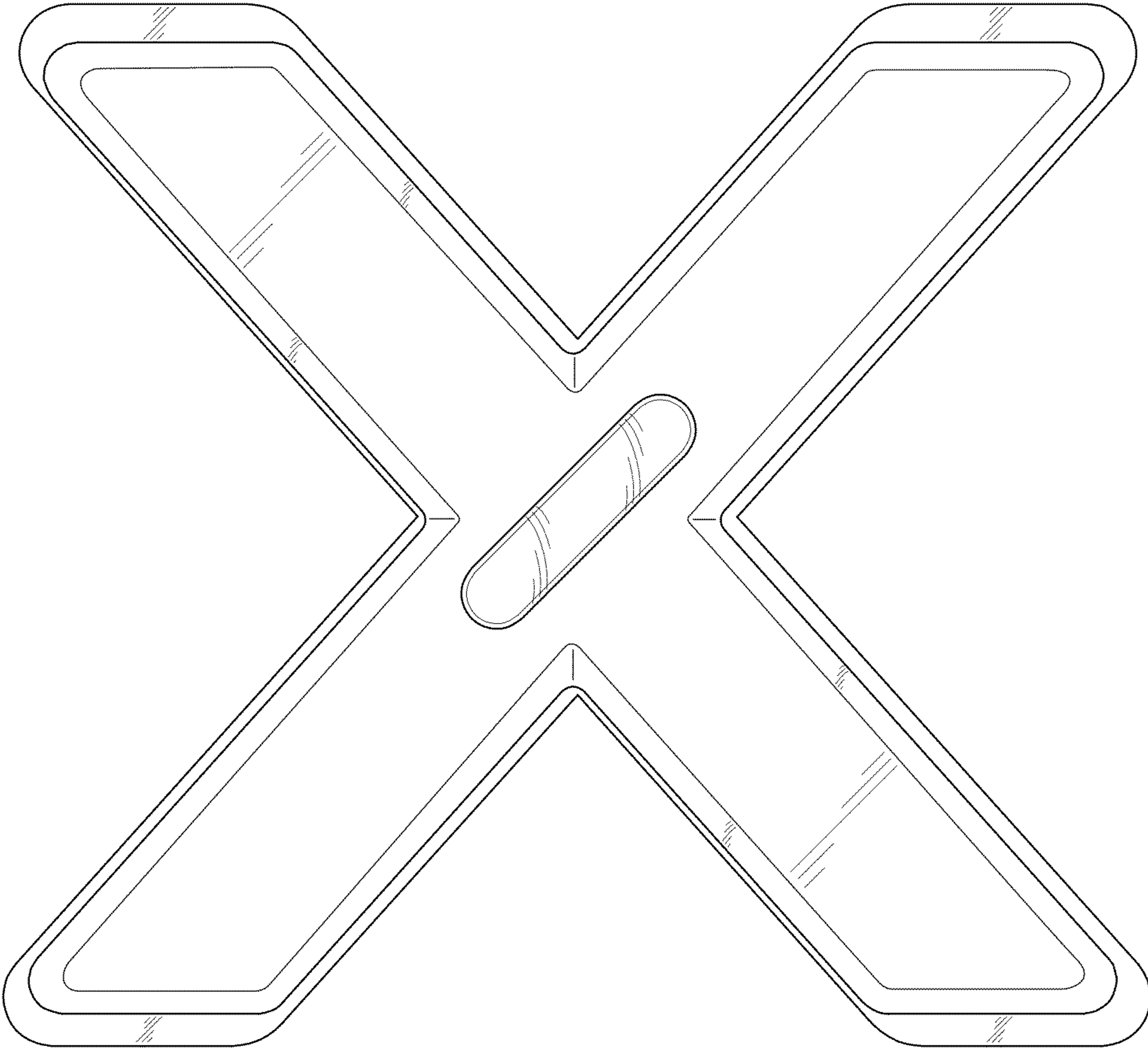


FIG. 2

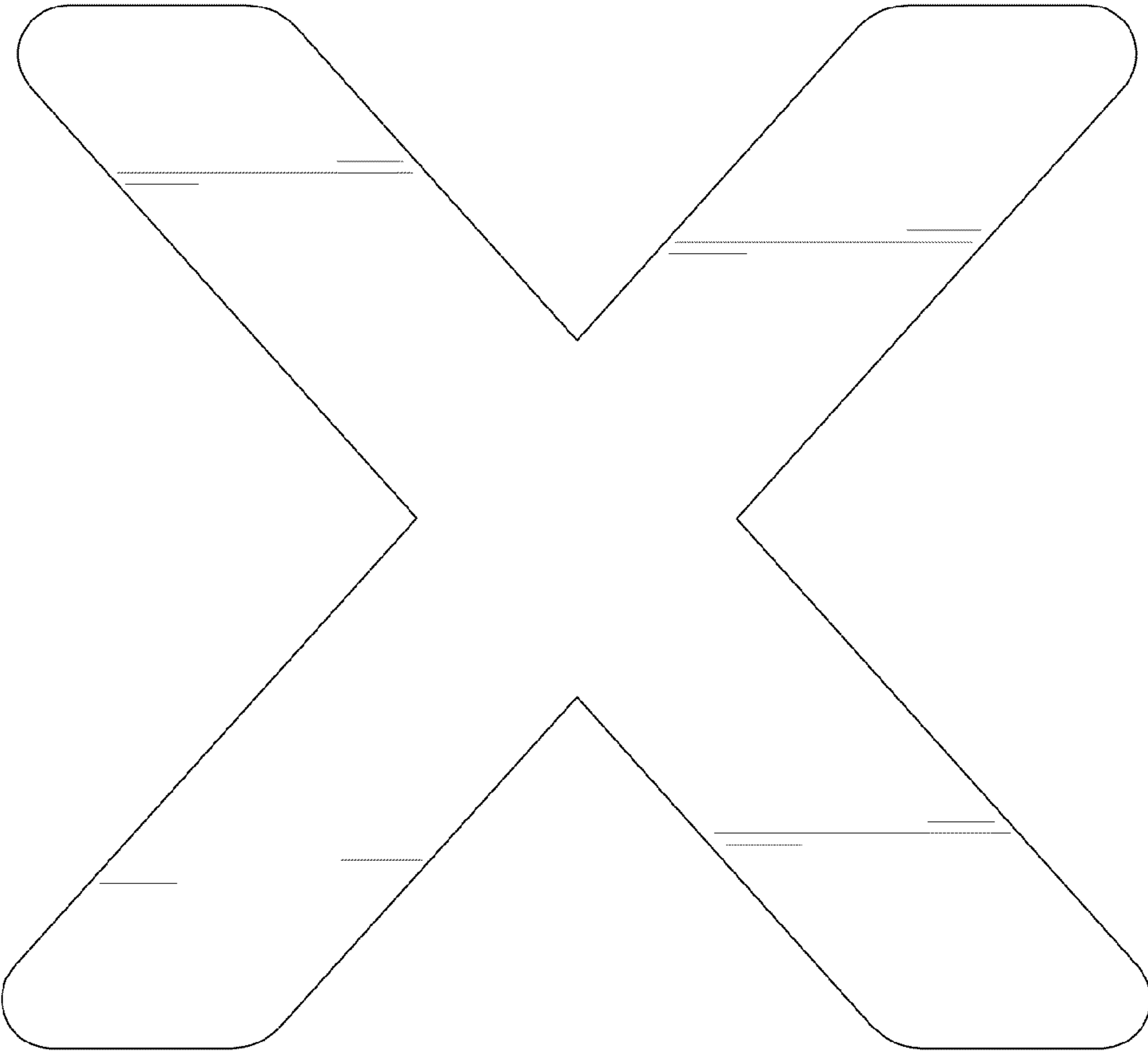


FIG. 3

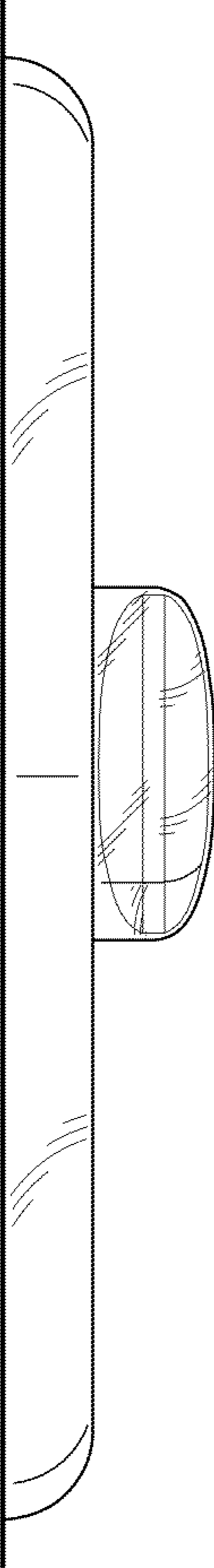


FIG. 4

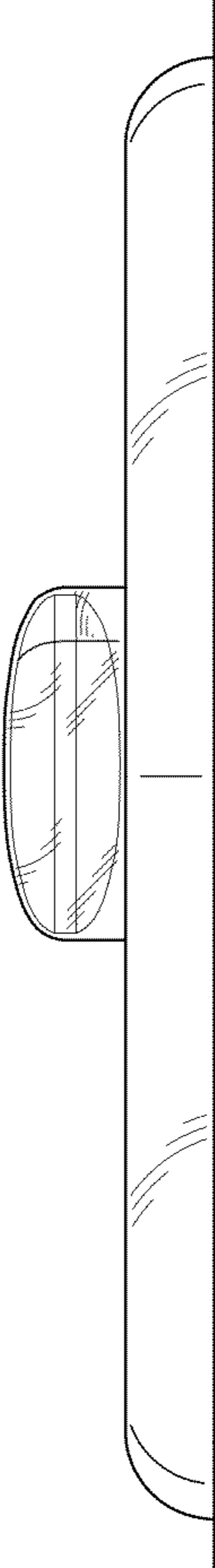


FIG. 5

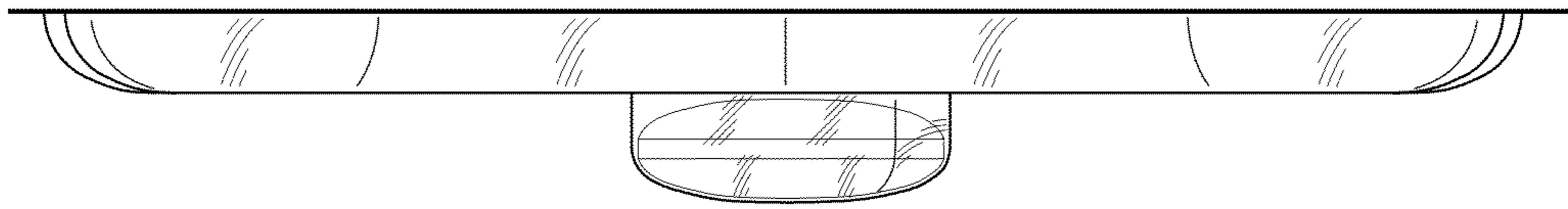


FIG. 6

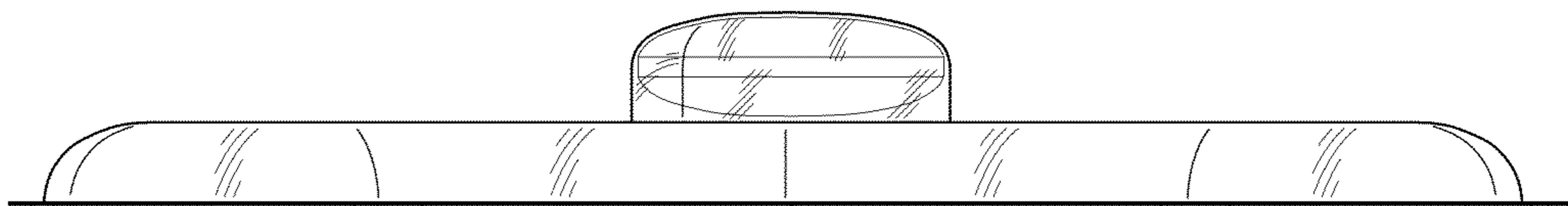


FIG. 7