



US00D694644S

(12) **United States Design Patent**  
**Limback**

(10) **Patent No.:** **US D694,644 S**  
(45) **Date of Patent:** **\*\* Dec. 3, 2013**

(54) **CLAMSHELL PACKAGE HAVING BLISTERS**

(75) Inventor: **Nancy Gail Limback**, Bridgewater, NJ  
(US)

(73) Assignee: **Aventisub II Inc.**, Greenville, DE (US)

(\*\*) Term: **14 Years**

(21) Appl. No.: **29/416,880**

(22) Filed: **Mar. 28, 2012**

(51) **LOC (9) Cl.** ..... **09-01**

(52) **U.S. Cl.**  
USPC ..... **D9/652; D9/732**

(58) **Field of Classification Search**  
USPC ..... D9/600, 652, 730–733, 414–415, 420,  
D9/423–426; 206/457, 461–471, 495  
See application file for complete search history.

(56) **References Cited**

U.S. PATENT DOCUMENTS

D58,905 S	9/1921	Harrington	
D117,605 S *	11/1939	Blunt	D9/652
2,317,860 A	4/1943	Sørensen	
D190,530 S	6/1961	Bender et al.	
3,054,503 A	9/1962	Hartman, Jr. et al.	
3,122,441 A	2/1964	Smith	
D200,000 S	1/1965	Richards et al.	
3,255,928 A	6/1966	Foster	
3,331,495 A	7/1967	Leckzik et al.	
3,387,699 A	6/1968	Heller	
3,429,426 A	2/1969	Wolf et al.	
3,540,579 A	11/1970	Hellstrom	
D220,750 S	5/1971	Artz	
D220,752 S *	5/1971	Artz	D9/425
3,620,411 A	11/1971	Rump	
D234,294 S *	2/1975	Gorman	D9/732
D253,040 S	10/1979	Fournier et al.	
D253,167 S	10/1979	Fournier et al.	
D253,222 S	10/1979	Fournier et al.	
D253,515 S	11/1979	Meierhoefer	

D253,516 S	11/1979	Meierhoefer
D253,751 S	12/1979	Meierhoefer
4,266,666 A	5/1981	Kuchenbecker
D271,283 S	11/1983	Taylor
4,537,312 A	8/1985	Intini
D280,387 S	9/1985	Morgan
4,574,951 A	3/1986	Weaver
D285,176 S	8/1986	Kodousek et al.
D286,140 S	10/1986	Kodousek et al.
4,660,991 A	4/1987	Simon

(Continued)

FOREIGN PATENT DOCUMENTS

WO 2007/141869 A1 12/2007

OTHER PUBLICATIONS

U.S. Office Action dated Oct. 3, 2012 issued in U.S. Appl. No. 29/416,879.

(Continued)

*Primary Examiner* — Sandra Morris

(74) *Attorney, Agent, or Firm* — Scully, Scott, Murphy & Presser, P.C.

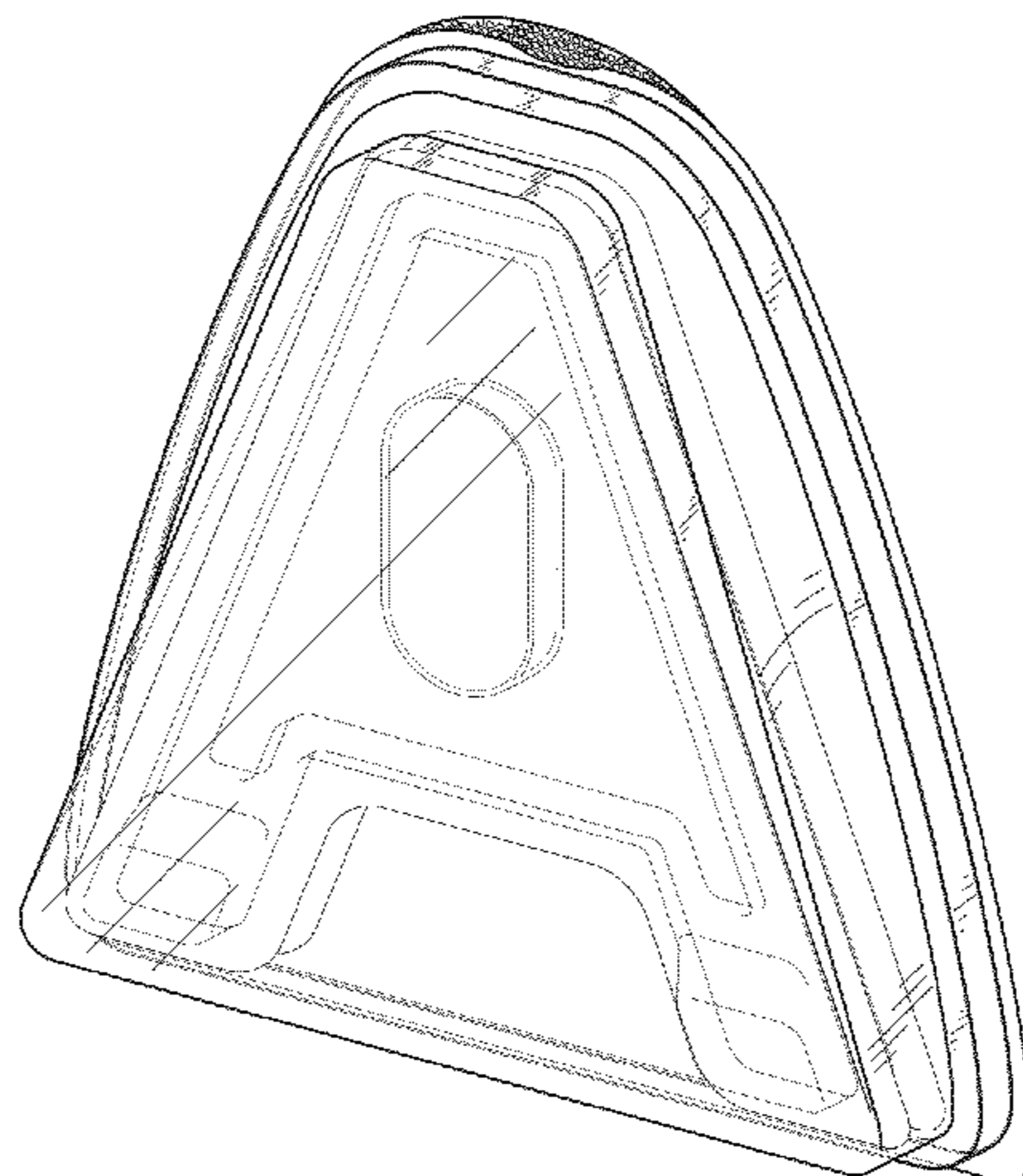
(57) **CLAIM**

The ornamental design for a clamshell package having blisters, as shown.

**DESCRIPTION**

FIG. 1 is a perspective view of a clamshell package having blisters showing my new design;  
FIG. 2 is a front view thereof;  
FIG. 3 is a rear view thereof;  
FIG. 4 is a side view thereof;  
FIG. 5 is an opposite side view thereof;  
FIG. 6 is a top view thereof; and,  
FIG. 7 is a bottom view thereof.

**1 Claim, 5 Drawing Sheets**







(56)

References Cited

U.S. PATENT DOCUMENTS

7,464,818 B2 12/2008 Gherdan et al.  
 D585,545 S 1/2009 Carrio et al.  
 7,472,526 B2 1/2009 Pearson  
 D585,638 S 2/2009 Skedelius  
 D585,735 S 2/2009 Vovan et al.  
 D588,471 S 3/2009 Flugel et al.  
 D588,908 S 3/2009 Silvenis et al.  
 D590,245 S 4/2009 Nanda  
 7,516,836 B2 4/2009 Trygar et al.  
 7,523,594 B2 4/2009 Greenwald et al.  
 D592,947 S 5/2009 Neves et al.  
 D594,753 S 6/2009 Eadicicco et al.  
 7,540,383 B2 6/2009 Huffer et al.  
 7,552,824 B2 6/2009 Le et al.  
 D597,418 S 8/2009 Stojek  
 D597,830 S 8/2009 Andersen et al.  
 D598,737 S 8/2009 Neves et al.  
 D598,785 S 8/2009 Stojek  
 D601,012 S 9/2009 Ginsberg et al.  
 7,591,372 B2 9/2009 Gelardi et al.  
 D601,884 S 10/2009 Andre et al.  
 7,607,539 B2 10/2009 Freeze  
 7,617,935 B2 11/2009 Reilley et al.  
 7,623,040 B1 11/2009 Cote  
 D606,856 S 12/2009 Ginsberg et al.  
 7,637,079 B2 12/2009 Klingel et al.  
 7,637,375 B2 12/2009 Sattel et al.  
 7,661,531 B2 2/2010 Intini  
 7,665,610 B2 2/2010 Williams-Hartman  
 7,674,532 B2 3/2010 Einhorn et al.  
 7,685,798 B2 3/2010 Marzocchi  
 D614,045 S 4/2010 Gaudenzi et al.  
 7,690,511 B2 4/2010 Arnold et al.  
 7,699,173 B2 4/2010 Hession  
 7,704,583 B2 4/2010 Heath  
 7,721,880 B2 5/2010 Pearce et al.  
 7,726,485 B2 6/2010 Brollier  
 7,726,486 B2 6/2010 Jones  
 7,735,650 B2 6/2010 Zumbiel  
 D620,359 S 7/2010 Ginsberg et al.  
 D620,375 S 7/2010 Sadler et al.  
 7,748,535 B2 7/2010 Grosskopf  
 7,756,248 B2 7/2010 Beckers et al.  
 7,758,936 B2 7/2010 Spallek et al.  
 D620,812 S 8/2010 Gaudenzi et al.  
 7,784,250 B2 8/2010 Grosskopf  
 D624,399 S 9/2010 Hansen et al.  
 D624,402 S 9/2010 Hansen et al.

D624,403 S 9/2010 Hansen et al.  
 7,793,784 B2 9/2010 Nivala  
 7,798,328 B2 9/2010 Hession  
 7,798,329 B2 9/2010 Gelardi  
 7,799,340 B2 9/2010 Bhalani et al.  
 D624,815 S 10/2010 Hansen et al.  
 7,810,495 B2 10/2010 Gumaste  
 D627,220 S 11/2010 LeMaster et al.  
 D627,239 S 11/2010 Bontorno et al.  
 7,828,147 B2 11/2010 Caracciolo et al.  
 7,828,149 B2 11/2010 Kalvelage et al.  
 7,828,150 B2 11/2010 Taylor et al.  
 7,854,325 B2 12/2010 Bentele  
 7,866,475 B2 1/2011 Doskoczynski et al.  
 D632,955 S 2/2011 Smith et al.  
 7,891,492 B2 2/2011 Wenninger et al.  
 D634,616 S 3/2011 Hansen et al.  
 D635,468 S 4/2011 Buitrago  
 D635,469 S 4/2011 Buitrago  
 7,919,171 B2 4/2011 Young  
 7,926,660 B2 4/2011 Jones et al.  
 7,931,148 B2 4/2011 Hansen et al.  
 D637,391 S 5/2011 Stevens et al.  
 7,934,355 B2 5/2011 Strub et al.  
 7,937,829 B2 5/2011 Petersen et al.  
 7,939,150 B2 5/2011 Altman et al.  
 7,950,390 B2 5/2011 Gumaste  
 7,959,004 B2 6/2011 Tsao  
 7,959,005 B2 6/2011 Berg et al.  
 7,963,089 B2 6/2011 Nelson et al.  
 D641,616 S 7/2011 Prevost  
 7,977,378 B1 7/2011 Villalobos  
 7,988,995 B1 8/2011 Bhalani et al.  
 8,091,704 B2 1/2012 Trigg

OTHER PUBLICATIONS

U.S. Notice of Allowance dated Mar. 25, 2013 issued in U.S. Appl. No. 29/416,878.  
 U.S. Office Action dated Mar. 25, 2013 issued in U.S. Appl. No. 29/416,882.  
 U.S. Office Action dated Apr. 1, 2013 issued in U.S. Appl. No. 29/429,017.  
 U.S. Office Action dated Jul. 15, 2013 issued in U.S. Appl. No. 13/432,247.  
 U.S. Office Action dated Jul. 18, 2013 issued in U.S. Appl. No. 29/429,016.  
 Invitation to Pay Additional Fees and, Where Applicable, Protest Fee mailed Jul. 10, 2013.

\* cited by examiner

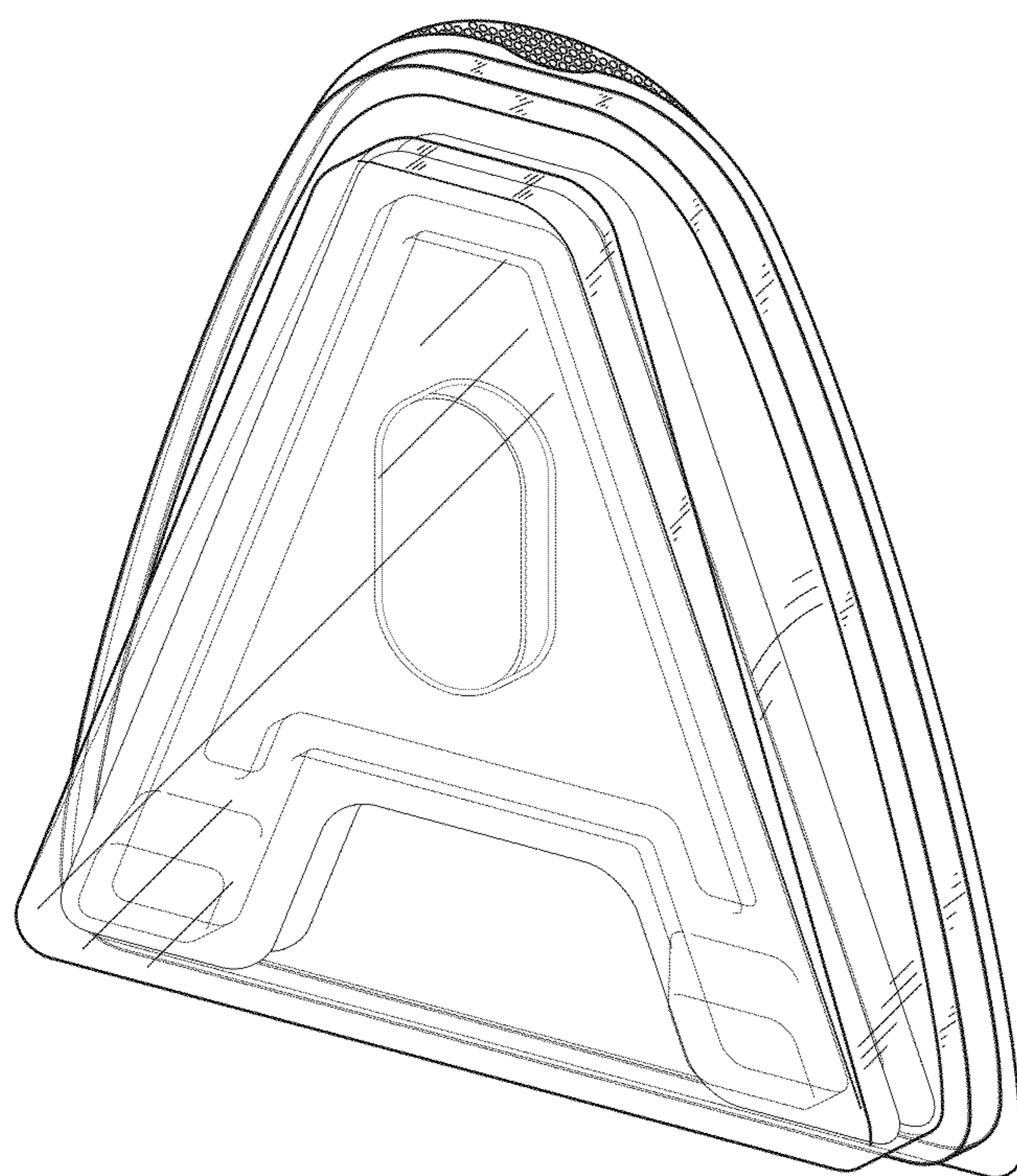


FIG. 1

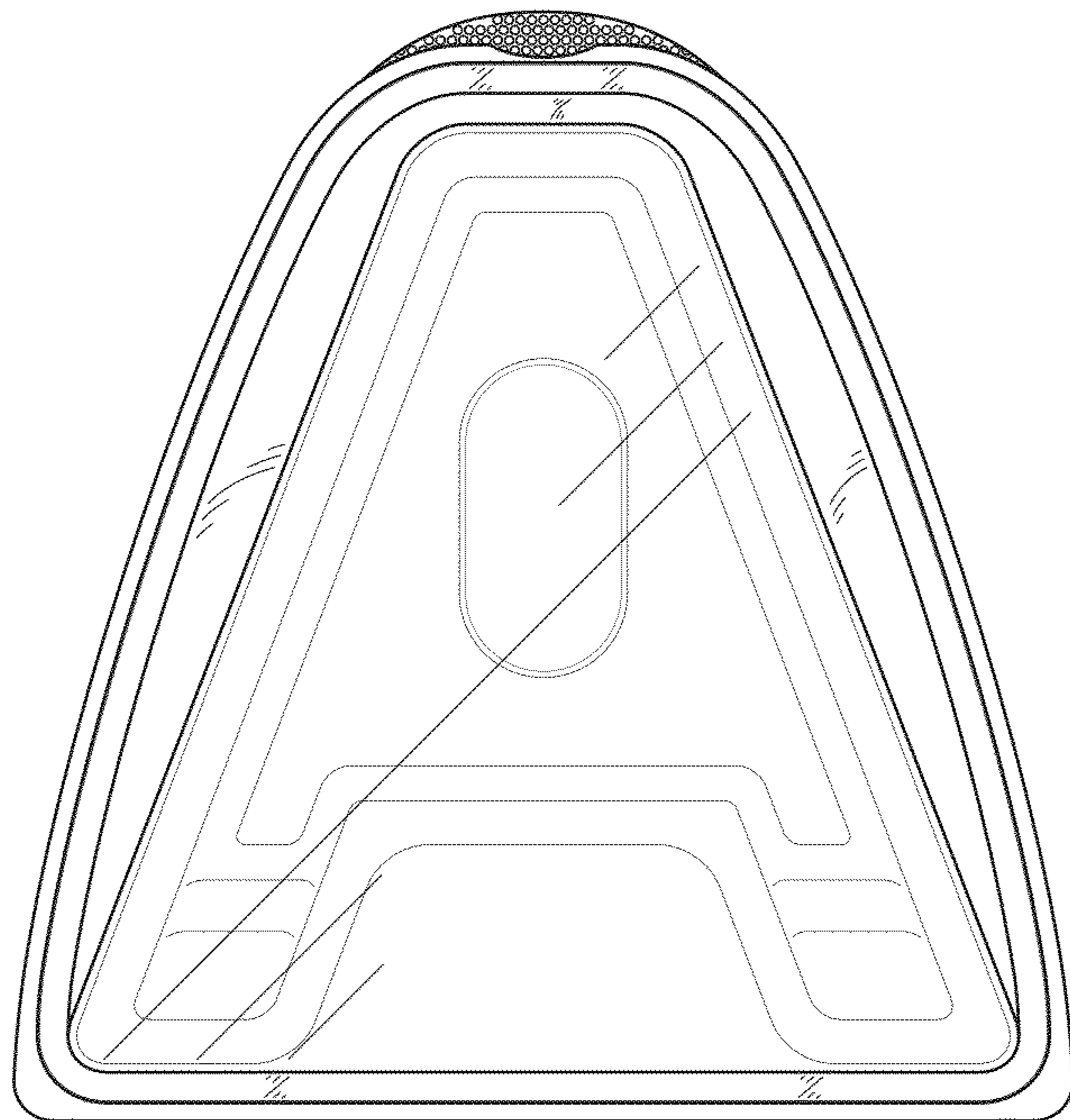


FIG. 2



FIG. 3

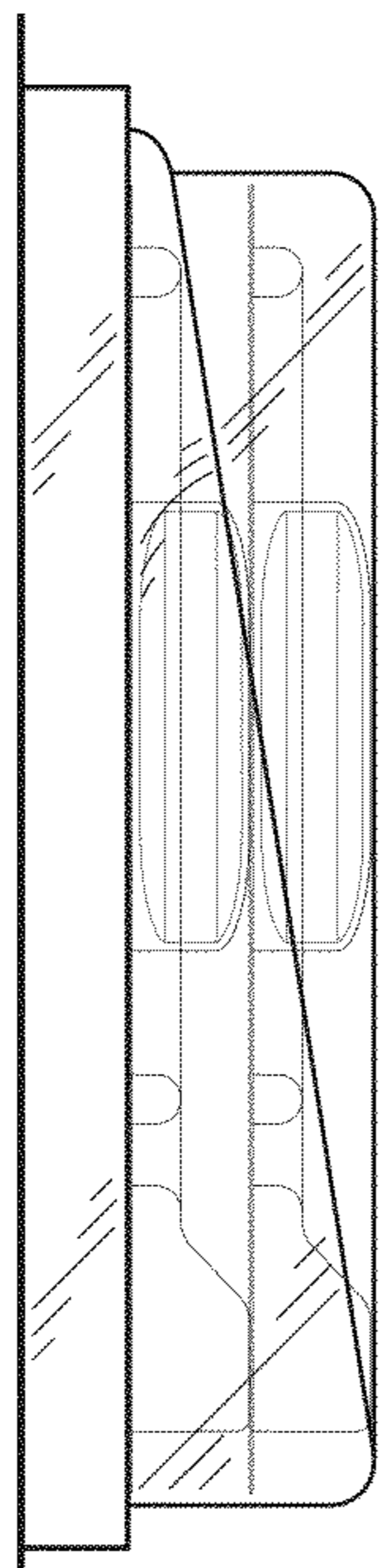


FIG. 4

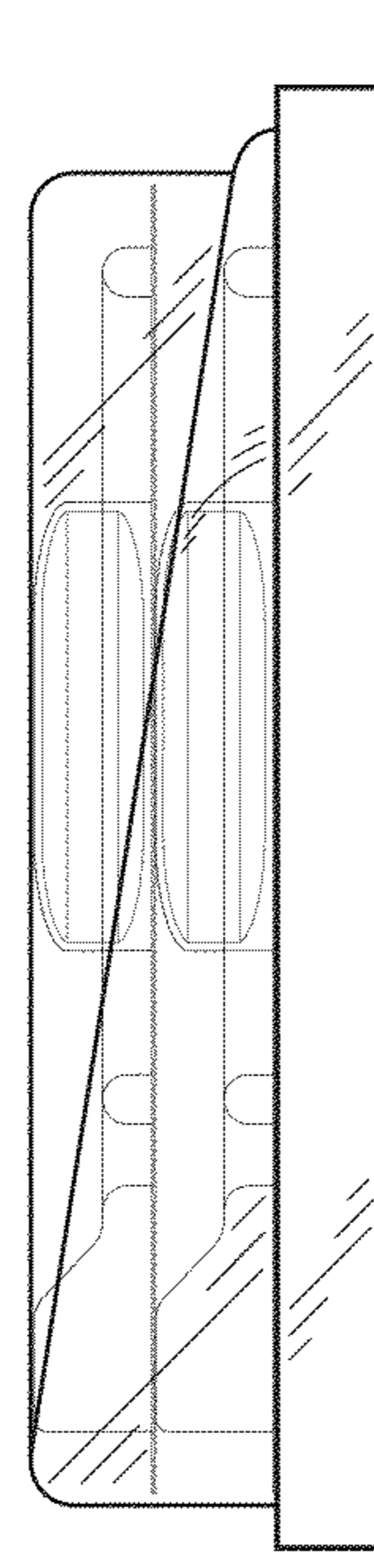


FIG. 5



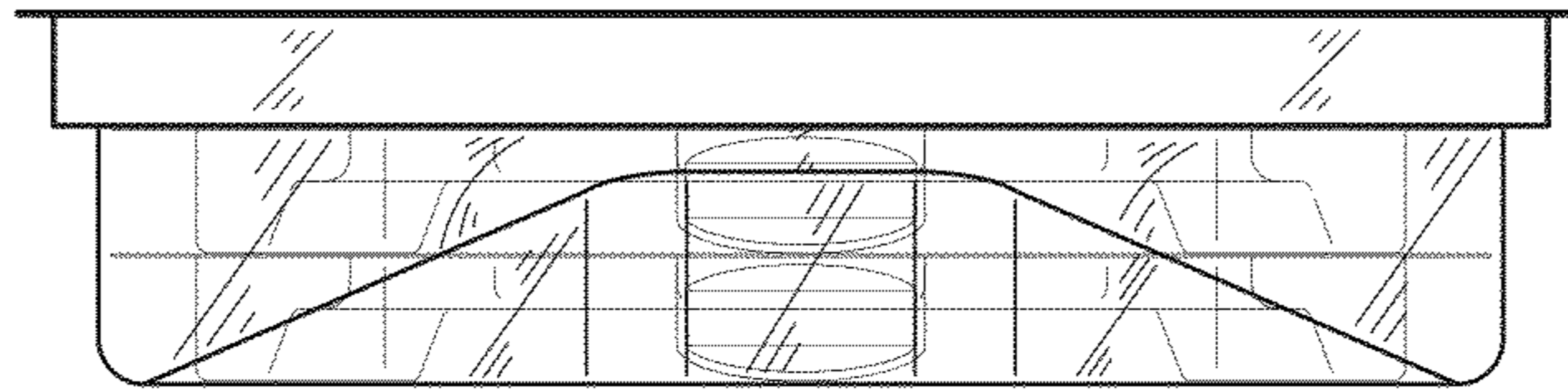


FIG. 6

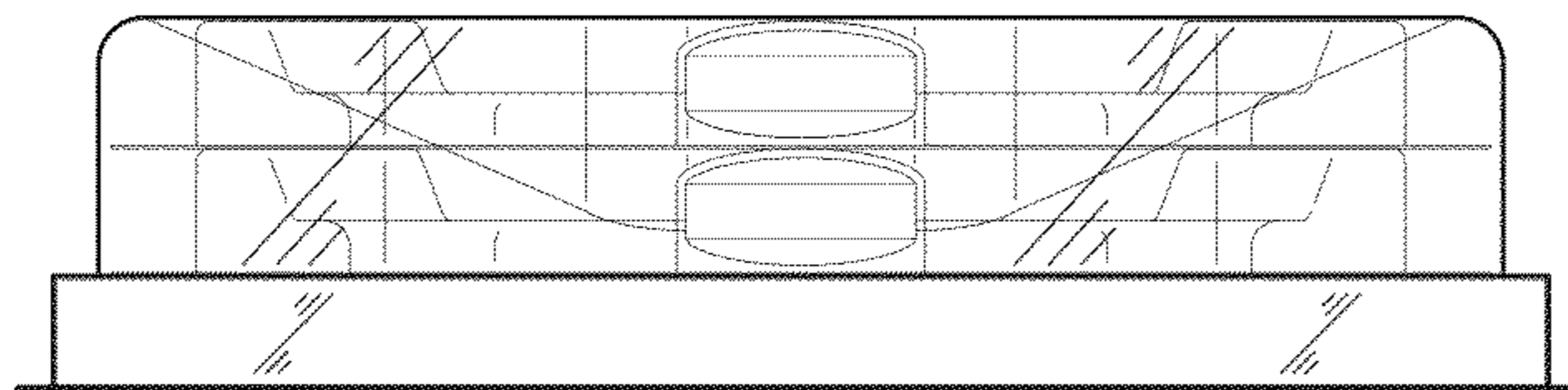


FIG. 7