



US00D694643S

(12) **United States Design Patent**  
**Boisvert et al.**

(10) **Patent No.:** **US D694,643 S**

(45) **Date of Patent:** **\*\* Dec. 3, 2013**

(54) **BOTTLE WITH CAP**

(71) Applicant: **9224-9838 Québec inc.**, Québec (CA)

(72) Inventors: **Raymond Boisvert**, Québec (CA);  
**Michel Juneau**, Québec (CA); **Bruno Cote**, Québec (CA)

(73) Assignee: **9224-9838 Québec Inc.**, Québec, QC (CA)

(\*\*) Term: **14 Years**

(21) Appl. No.: **29/433,034**

(22) Filed: **Sep. 25, 2012**

(51) **LOC (9) Cl.** ..... **09-01**

(52) **U.S. Cl.**  
USPC ..... **D9/560**; D9/454; D9/516; D9/520;  
D9/559; D9/743; D9/745

(58) **Field of Classification Search**  
USPC ..... D9/435-436, 454, 516, 520, 526, 530,  
D9/559-560, 569-572, 737, 738, 740-741,  
D9/743-747; D23/202; D34/39; 215/378,  
215/379-385; 220/23.6, 379, 660,  
220/669-673, 675; 206/503-505, 507-509  
See application file for complete search history.

(56) **References Cited**

**U.S. PATENT DOCUMENTS**

180,132 A	7/1876	Hoard	
251,566 A	12/1881	Fuller	
1,993,978 A	3/1935	Plochman	
D100,412 S	7/1936	Carp	
2,099,174 A	11/1937	Payson	
2,780,225 A	2/1957	Barr	
3,194,426 A	7/1965	Brown	
3,391,824 A *	7/1968	Wiseman	206/504

3,732,999 A	5/1973	Roukles	
3,994,408 A	11/1976	Belitzky	
4,057,946 A	11/1977	Barrett	
4,235,343 A	11/1980	Thompson	
D264,942 S *	6/1982	Schieser et al.	D9/563
D270,429 S	9/1983	Anderson et al.	

(Continued)

**FOREIGN PATENT DOCUMENTS**

EP	0779245	6/1997
EP	1203724	5/2002

(Continued)

*Primary Examiner* — Ian Simmons  
*Assistant Examiner* — Dana L Meyrow  
(74) *Attorney, Agent, or Firm* — Fasken Martineau

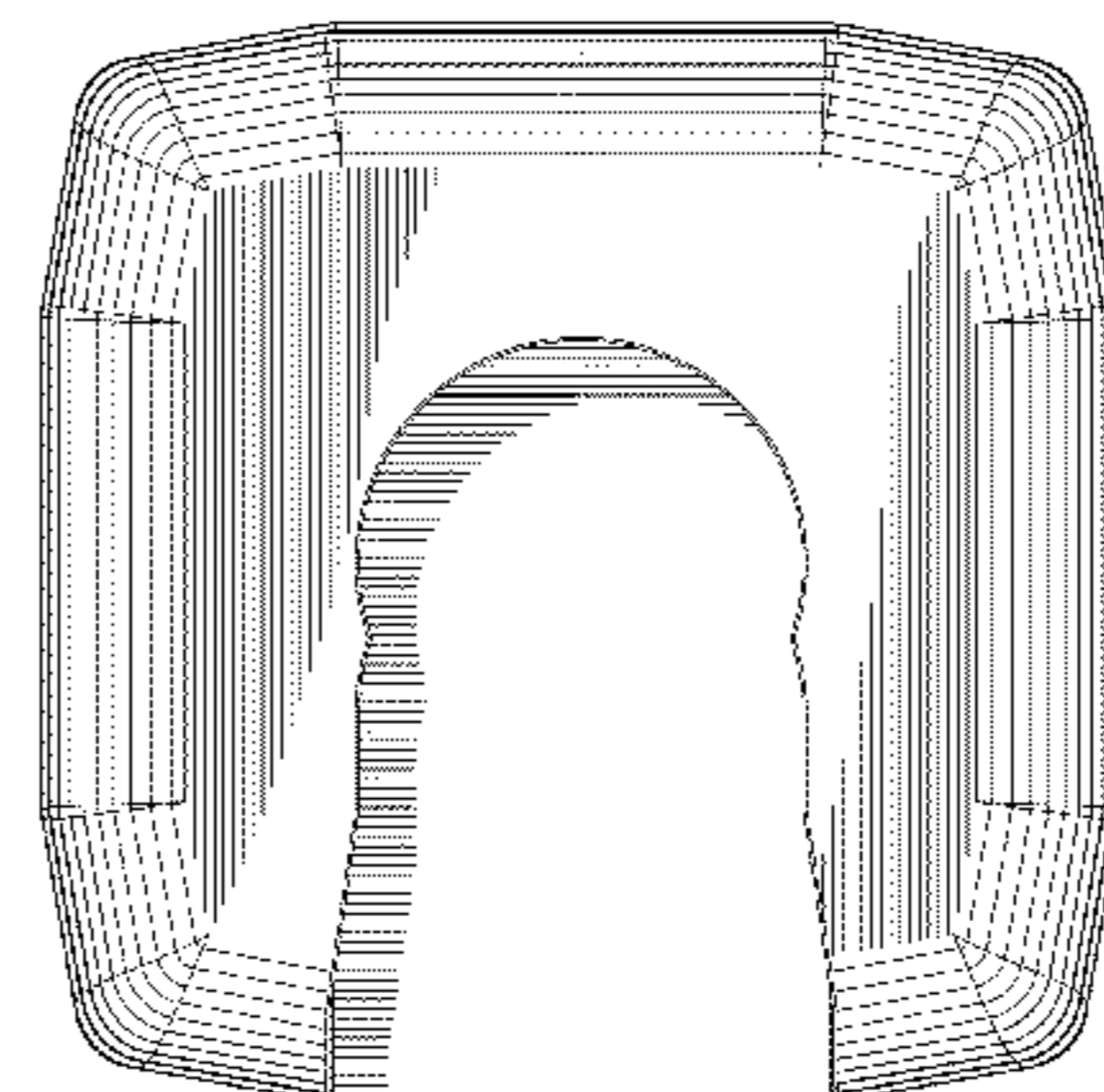
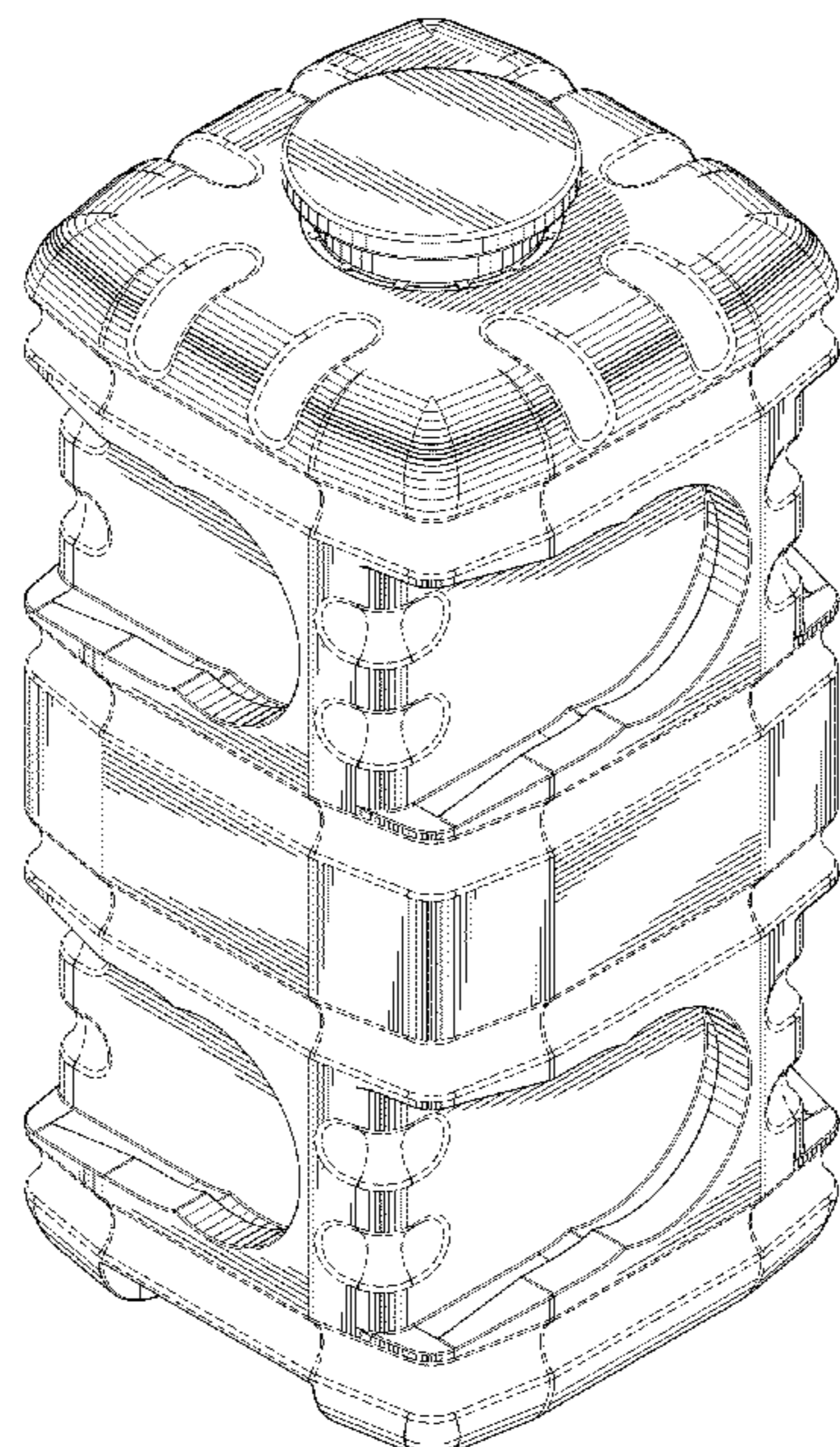
(57) **CLAIM**

The ornamental design for a bottle with cap, as shown and described.

**DESCRIPTION**

FIG. 1 is a top, front, left side perspective view of a bottle with cap according to my new design;  
FIG. 2 is a left side elevation view thereof;  
FIG. 3 is a front elevation view thereof, the right side and rear elevations being identical;  
FIG. 4 is a top plan view thereof;  
FIG. 5 is a bottom plan view thereof;  
FIG. 6 is an exploded top, front, left side perspective view thereof; and,  
FIG. 7 is a top, front, left side perspective view of the bottle with cap of FIGS. 1-6 shown with the cap inserted in the upper recess of the front surface of the bottle.  
The unshaded areas shown in broken lines in the drawings illustrate the portions of the design that form no part of the claim.

**1 Claim, 6 Drawing Sheets**



(56)

References Cited

U.S. PATENT DOCUMENTS

4,416,373 A 11/1983 deLarosiere  
 4,624,383 A 11/1986 Moore  
 D308,824 S \* 6/1990 Wiseman et al. .... D9/521  
 D312,398 S \* 11/1990 Neto ..... D9/535  
 5,050,757 A 9/1991 Hidding  
 5,065,875 A 11/1991 Balavich  
 5,165,558 A 11/1992 Cargile  
 5,238,129 A 8/1993 Ota  
 5,316,398 A 5/1994 Chandaria et al.  
 D357,509 S \* 4/1995 Goettner et al. .... D21/503  
 D362,799 S 10/1995 Noble  
 5,487,486 A 1/1996 Meneo  
 5,941,411 A 8/1999 Langenbach  
 5,967,307 A 10/1999 Wang  
 6,073,757 A 6/2000 Kornick et al.  
 6,105,814 A 8/2000 Chen  
 6,276,549 B1 \* 8/2001 Fasci et al. .... 220/23.4  
 D447,944 S \* 9/2001 Justice ..... D9/745  
 6,755,314 B2 6/2004 Cooper  
 7,000,794 B2 \* 2/2006 Soehnlén et al. .... 215/398  
 D527,648 S \* 9/2006 Darr et al. .... D9/566  
 7,175,498 B2 \* 2/2007 Garpow et al. .... 446/117  
 7,198,080 B2 4/2007 Foust  
 7,225,937 B2 6/2007 Schroeder  
 7,249,906 B2 7/2007 Kessler et al.  
 D548,108 S 8/2007 Lo  
 D613,177 S \* 4/2010 Lee ..... D9/560  
 D635,460 S \* 4/2011 Dorn et al. .... D9/522  
 8,393,485 B2 \* 3/2013 Gold et al. .... 220/23.4  
 2004/0197756 A1 10/2004 Yun  
 2004/0216340 A1 11/2004 Woods

2005/0051548 A1 3/2005 Erel  
 2006/0030234 A1 2/2006 Stiber et al.  
 2008/0179339 A1 7/2008 Lafaver  
 2008/0230504 A1 9/2008 Nowzari  
 2008/0308521 A1 12/2008 Caporaso  
 2009/0090647 A1 \* 4/2009 Panchal et al. .... 206/504  
 2009/0134111 A1 5/2009 Schroeder  
 2009/0159603 A1 6/2009 Lilico  
 2009/0255893 A1 10/2009 Zummo et al.  
 2010/0006534 A1 1/2010 Dlouhy  
 2011/0079573 A1 4/2011 Nakamura

FOREIGN PATENT DOCUMENTS

JP 2001294259 10/2001  
 JP 2007055628 3/2007  
 JP 2009091026 4/2009  
 WO 9600177 1/1996  
 WO 9928201 6/1999  
 WO 0020085 4/2000  
 WO 0065919 11/2000  
 WO 2005009849 2/2005  
 WO 2005028330 3/2005  
 WO 2005118414 12/2005  
 WO 2006034231 3/2006  
 WO 2006046223 5/2006  
 WO 2006054322 5/2006  
 WO 2007016535 2/2007  
 WO 2007067459 6/2007  
 WO 2008025301 3/2008  
 WO 2008067656 6/2008  
 WO 2009103140 8/2009

\* cited by examiner

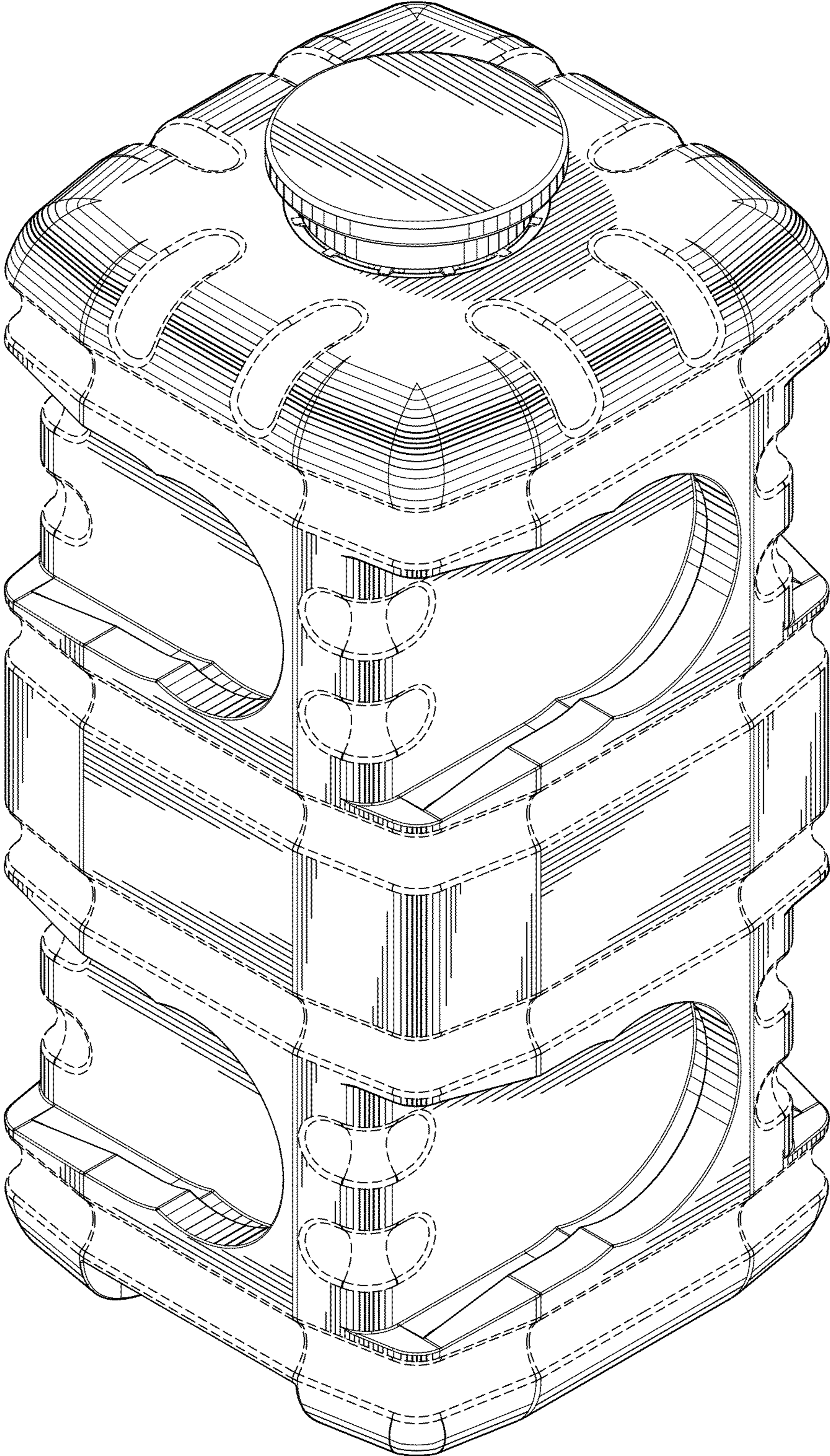


FIG. 1

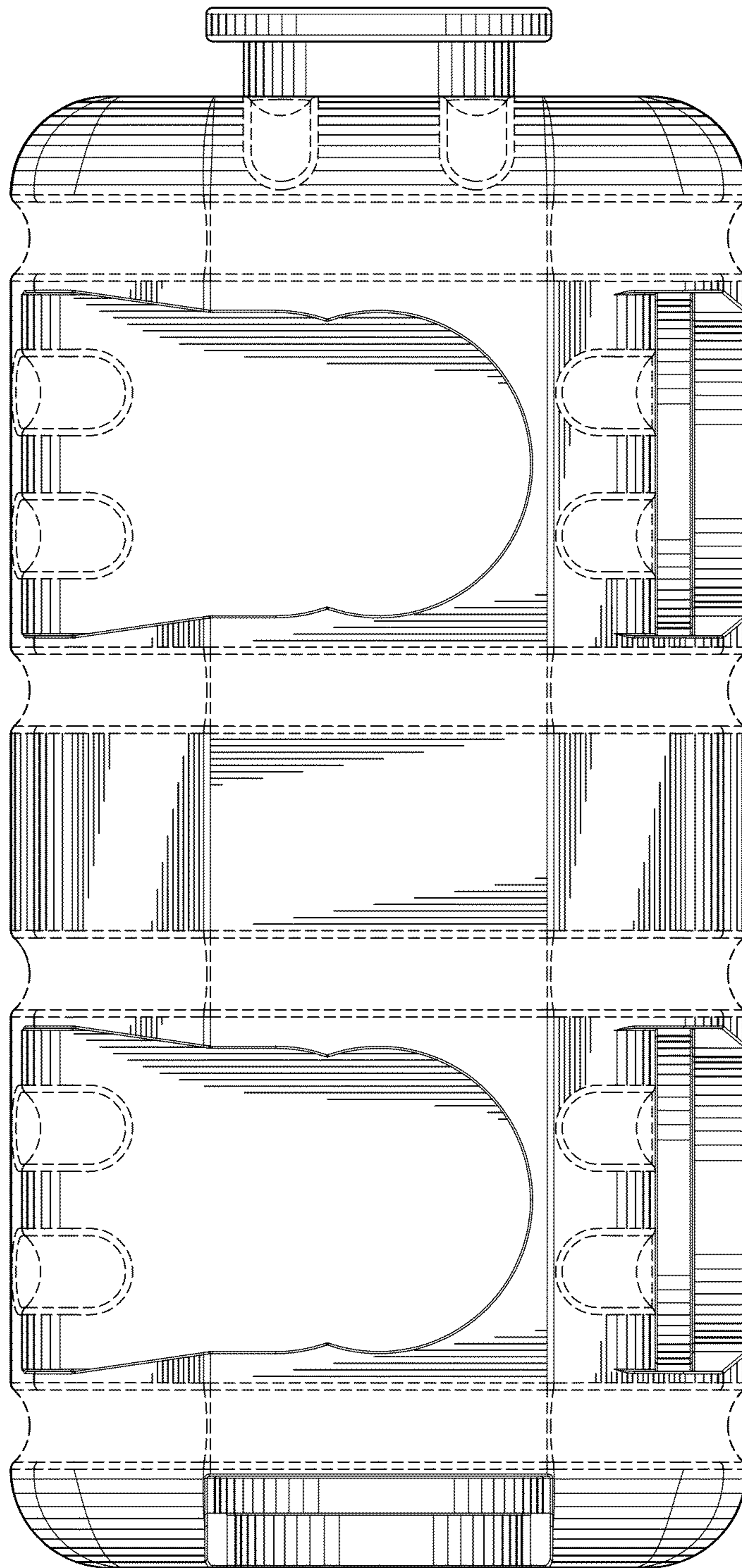


FIG. 2

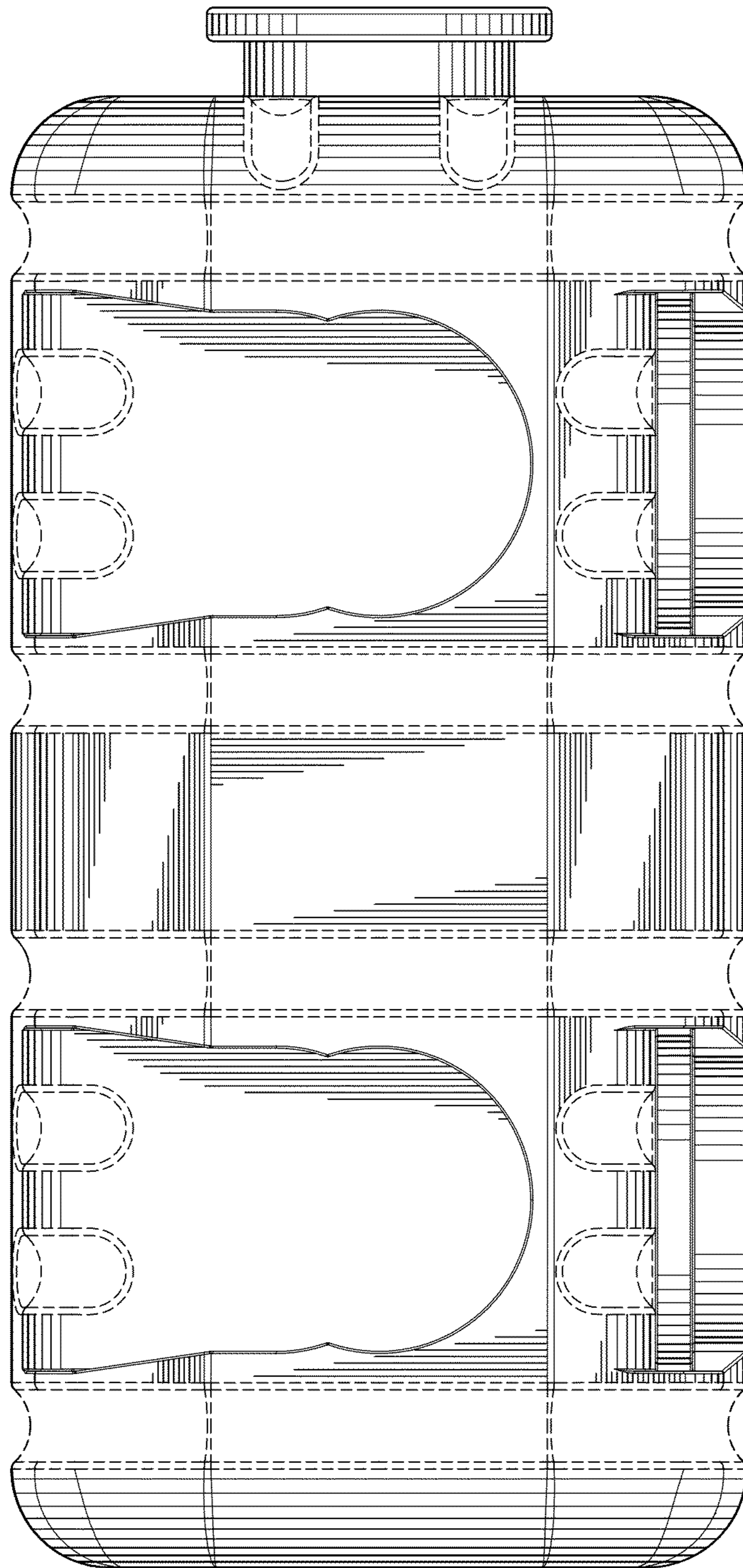


FIG. 3

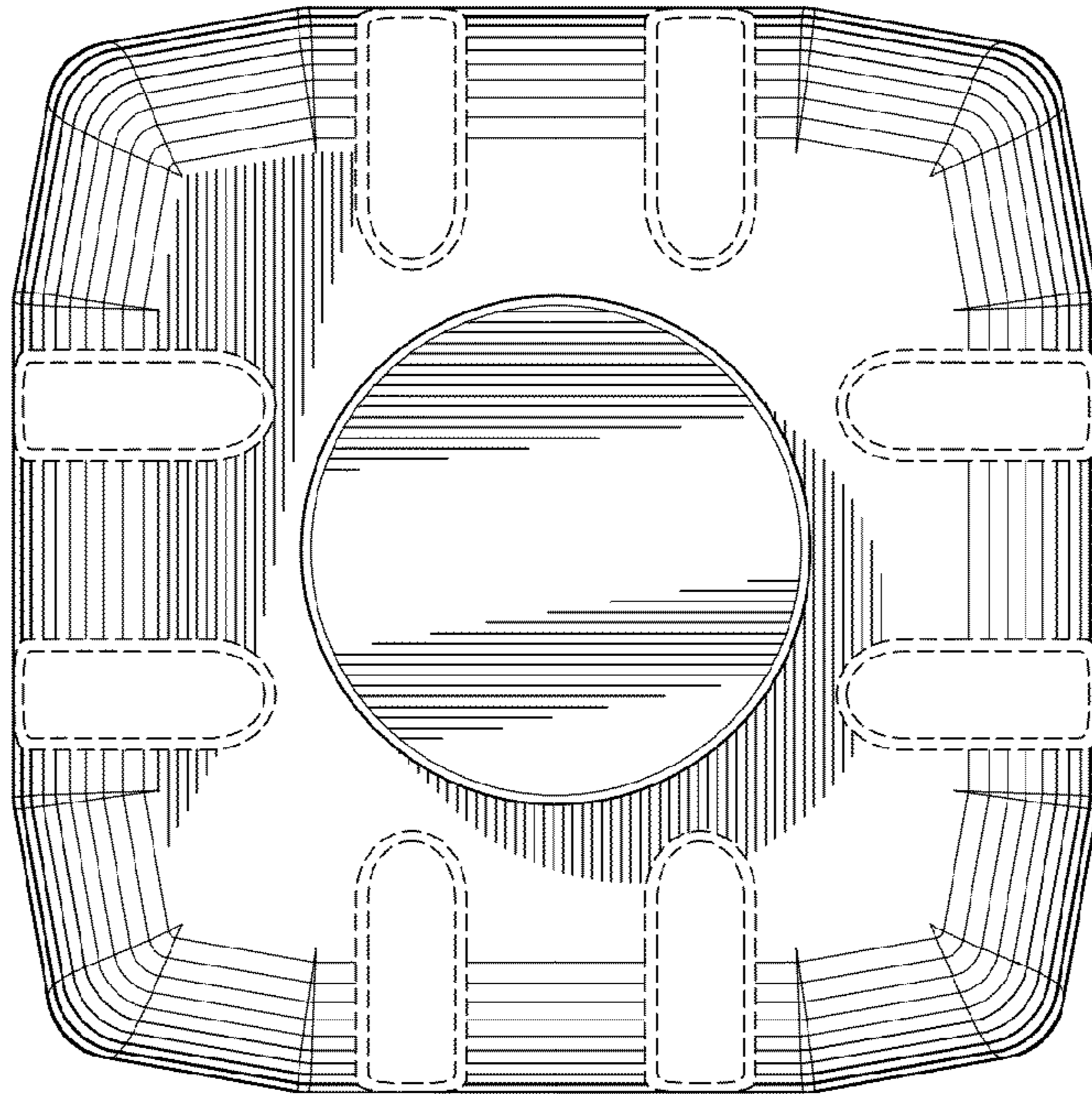


FIG. 4

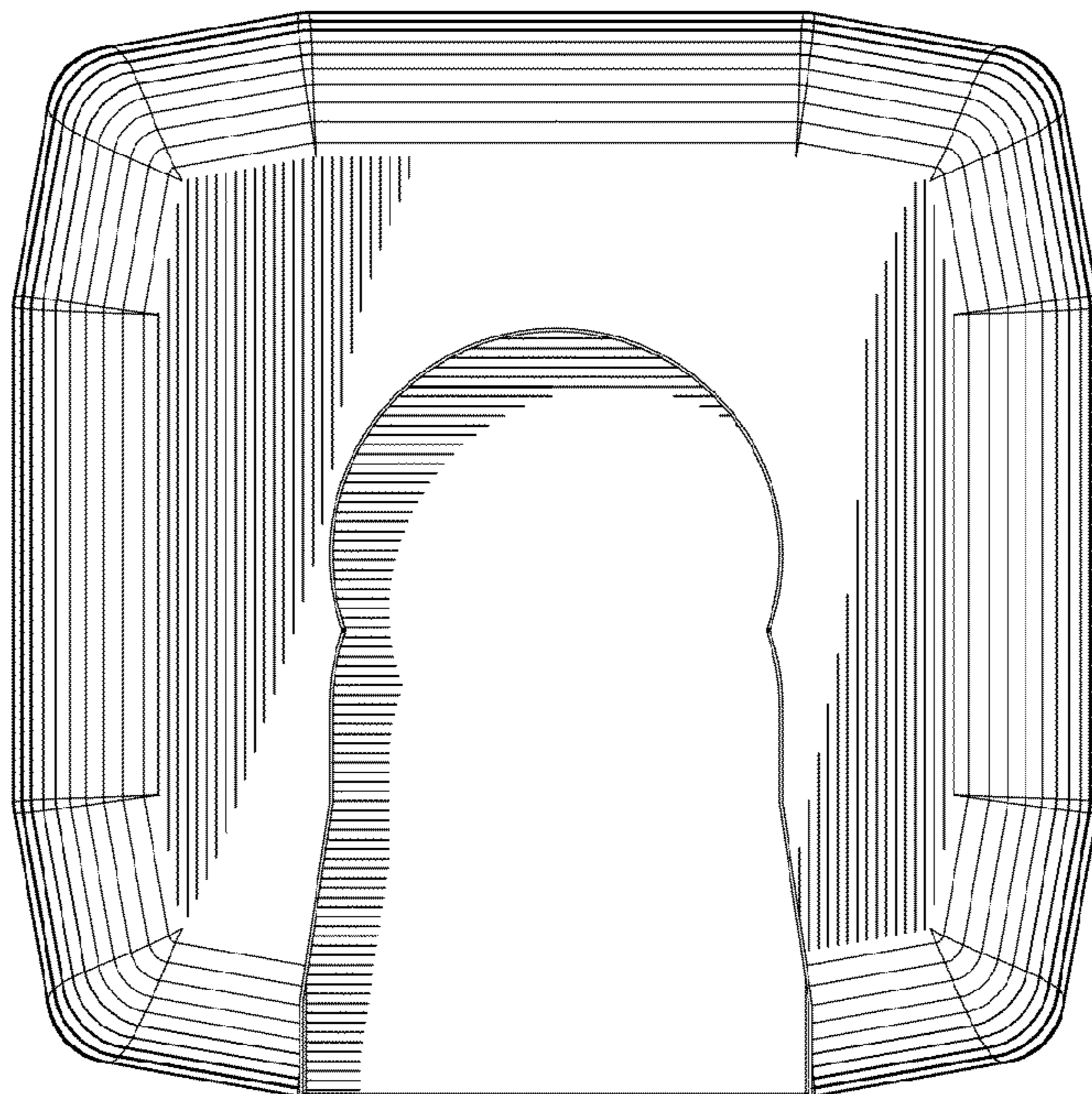


FIG. 5

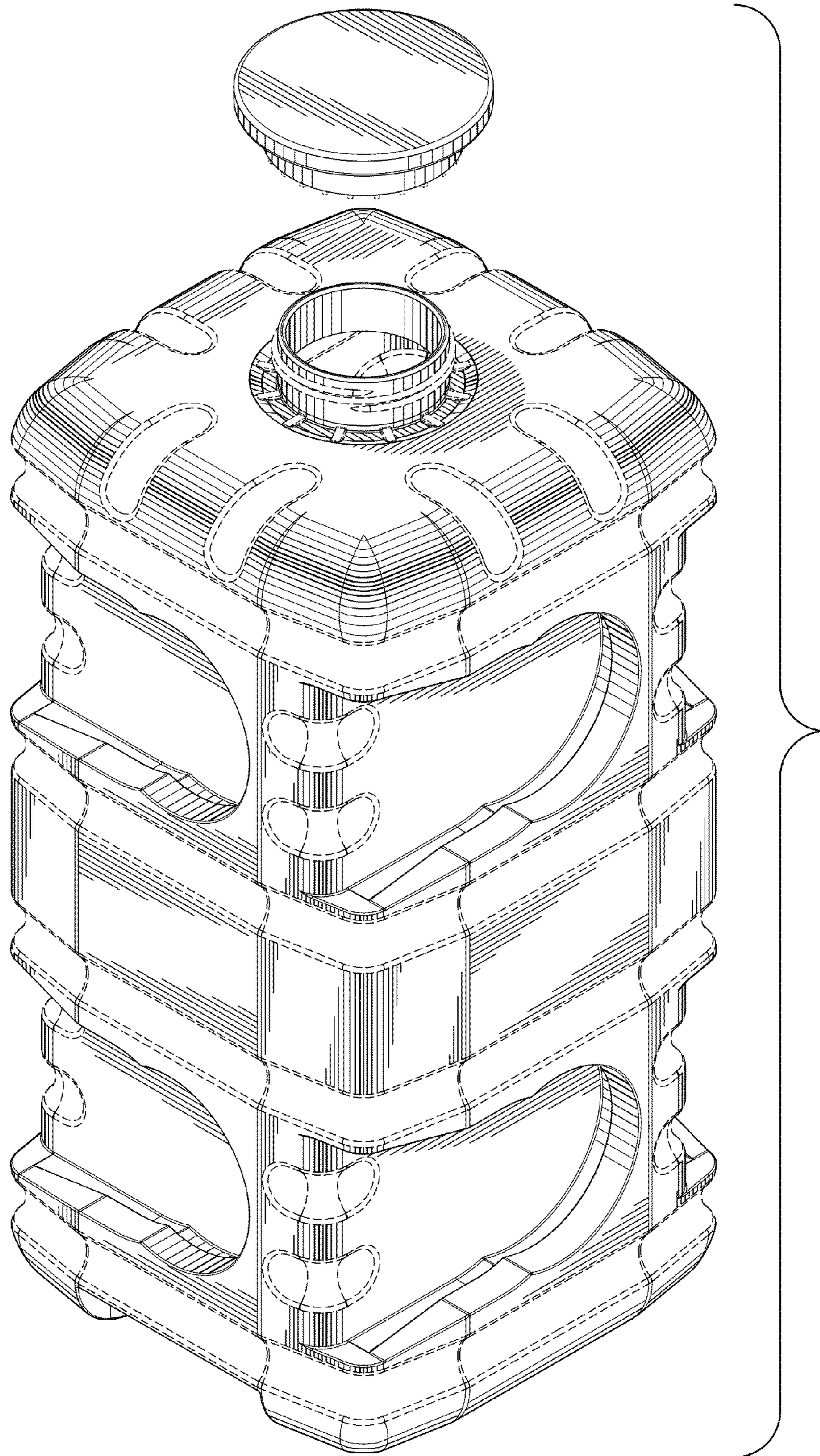


FIG. 6

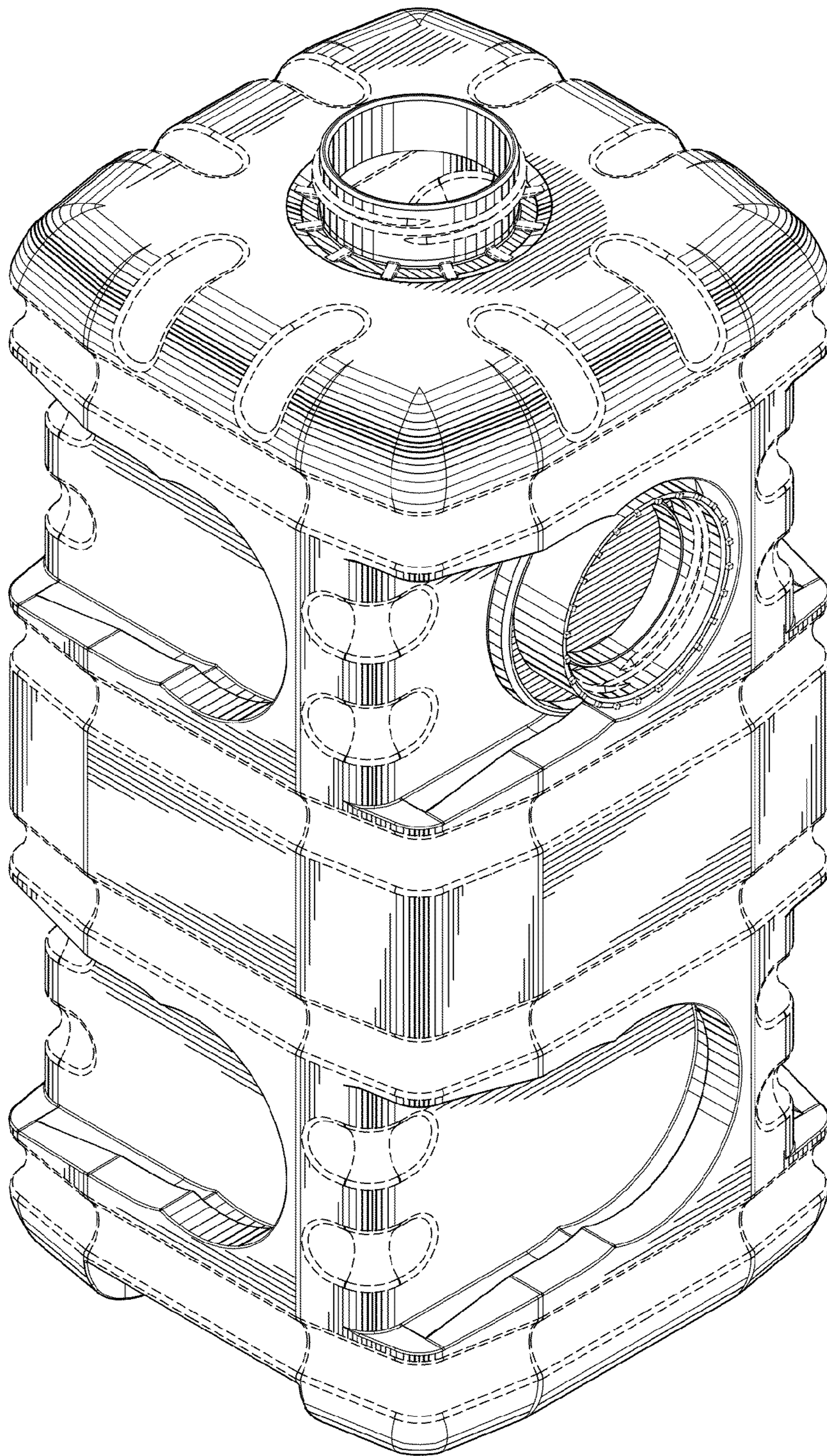


FIG. 7