



US00D694638S

(12) **United States Design Patent**  
**Baker**

(10) **Patent No.:** **US D694,638 S**

(45) **Date of Patent:** **\*\* Dec. 3, 2013**

(54) **BOTTLE**

(76) **Inventor:** **Raymond John Baker, Melton (AU)**

(\*\*) **Term:** **14 Years**

(21) **Appl. No.:** **29/412,272**

(22) **Filed:** **Feb. 1, 2012**

(30) **Foreign Application Priority Data**

Aug. 2, 2011 (AU) ..... 338283

(51) **LOC (9) Cl.** ..... **09-01**

(52) **U.S. Cl.**  
USPC ..... **D9/548; D9/502; D24/114**

(58) **Field of Classification Search**  
USPC ..... D9/548, 500-501, 503, 516, 544-546,  
D9/562, 572-575; D24/112-114; 604/218;  
215/393, 400; 220/686, 729  
See application file for complete search history.

(56) **References Cited**

**U.S. PATENT DOCUMENTS**

D8,670 S \* 9/1875 Warner ..... D9/500  
D8,671 S \* 9/1875 Warner ..... D9/500  
D121,604 S \* 7/1940 Miklos ..... D9/548  
2,869,541 A \* 1/1959 Helmer et al. .... D24/114

2,972,991 A \* 2/1961 Burke ..... D24/114  
D196,454 S \* 10/1963 Stengle, Jr. .... D9/500  
D216,091 S \* 11/1969 Lawton ..... D9/501  
D228,172 S \* 8/1973 Byrne ..... D9/548  
D248,925 S \* 8/1978 Howland ..... D9/548  
5,820,603 A \* 10/1998 Tucker et al. .... 604/187  
D447,797 S \* 9/2001 Odell et al. .... D24/112  
D563,790 S \* 3/2008 Fridman ..... D9/548  
8,122,922 B2 \* 2/2012 Baker ..... 215/247

\* cited by examiner

*Primary Examiner* — Wan Laymon

(74) *Attorney, Agent, or Firm* — Stevens & Showalter LLP

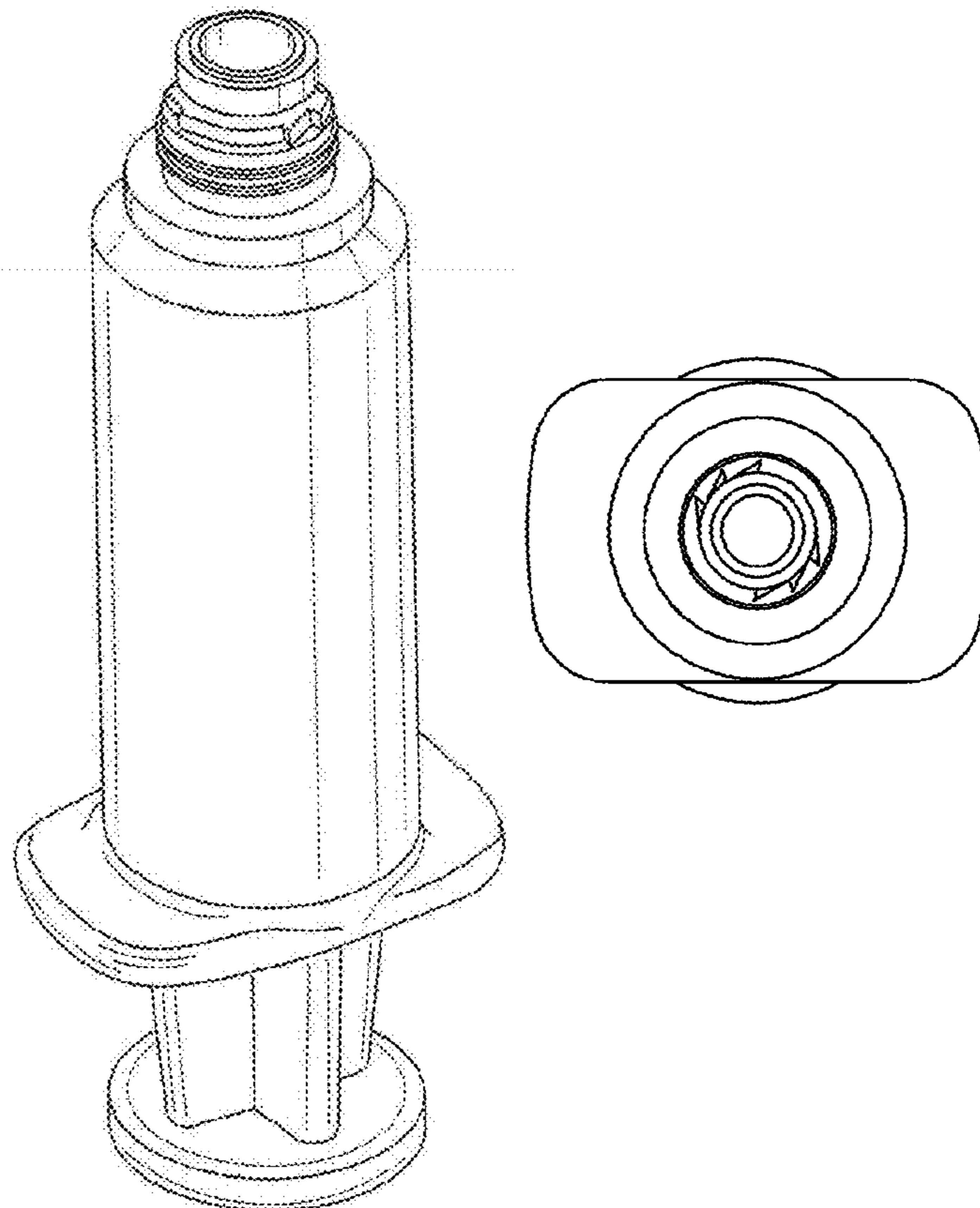
(57) **CLAIM**

The ornamental design for a bottle, as shown and described.

**DESCRIPTION**

FIG. 1 is a perspective view of a bottle showing my new design;  
FIG. 2 is a first side elevational view thereof;  
FIG. 3 is a second side elevational view thereof, opposite from the first side of FIG. 2;  
FIG. 4 is a top plan view thereof;  
FIG. 5 is a bottom plan view thereof;  
FIG. 6 is a first end elevational view thereof; and,  
FIG. 7 is a second end elevational view thereof, opposite from the first end of FIG. 6.

**1 Claim, 3 Drawing Sheets**



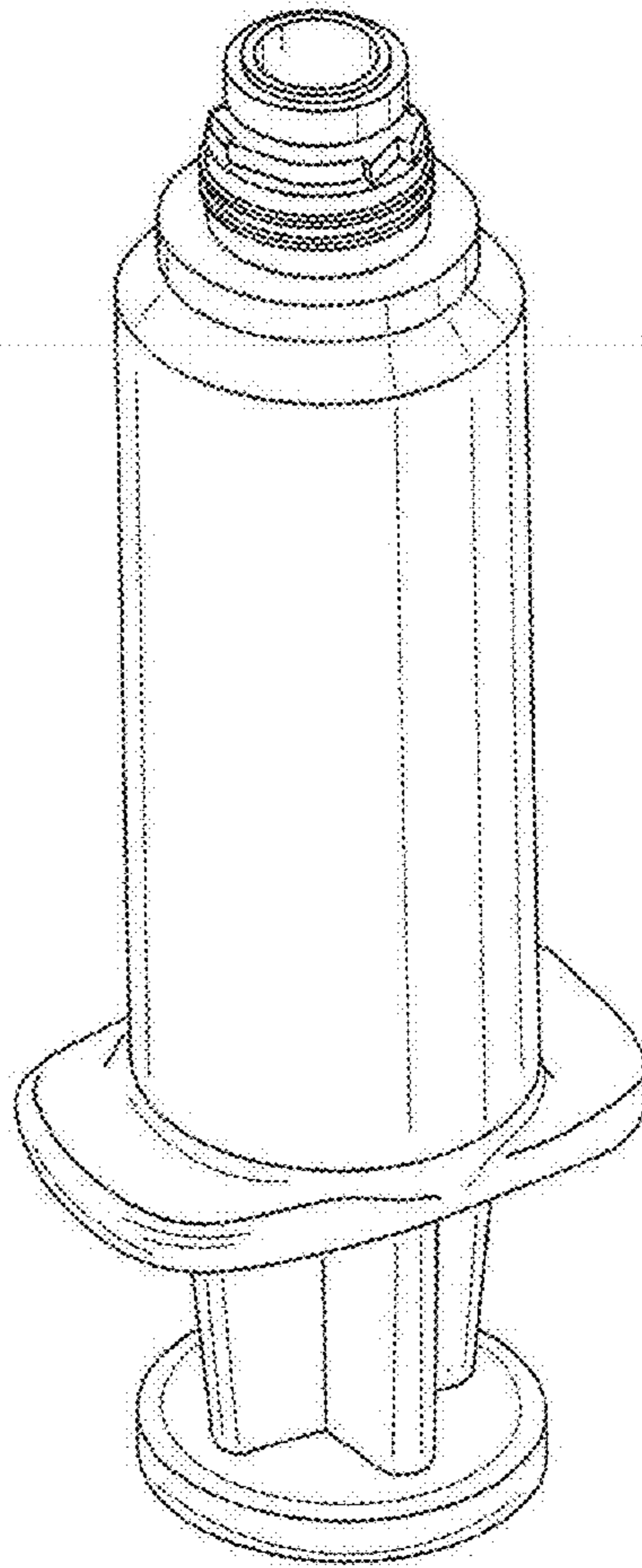


FIG. 1

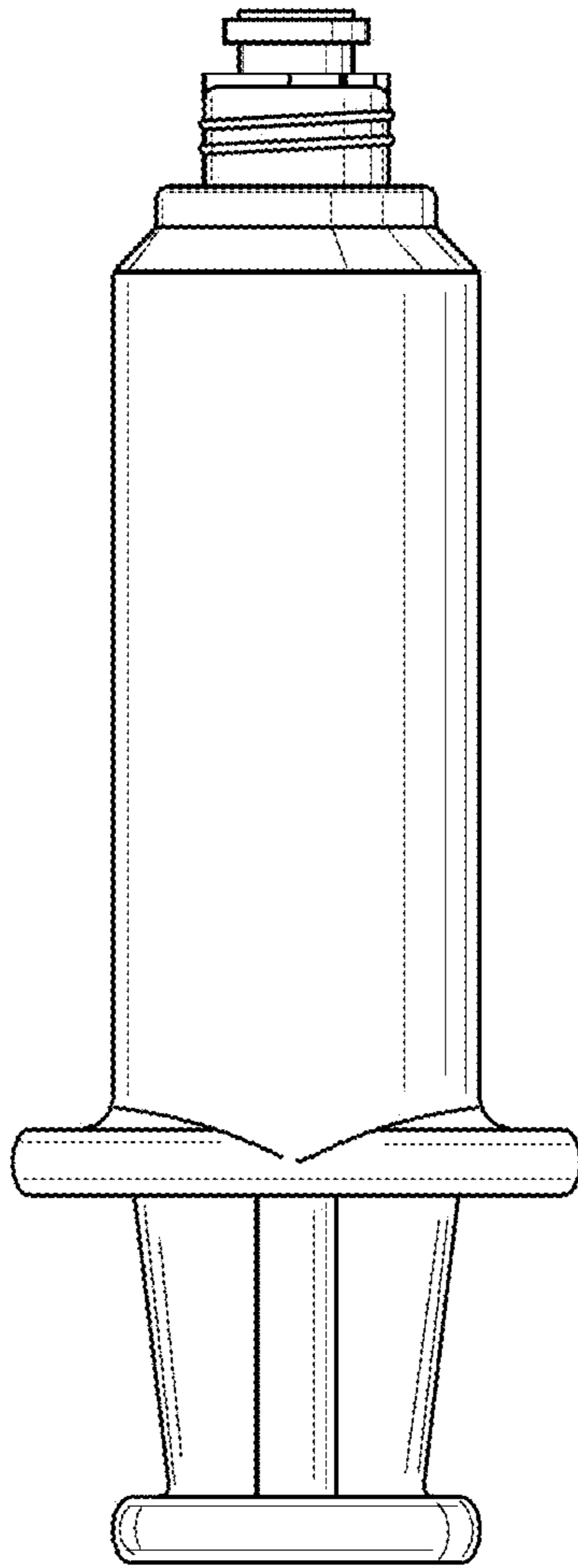


FIG. 2

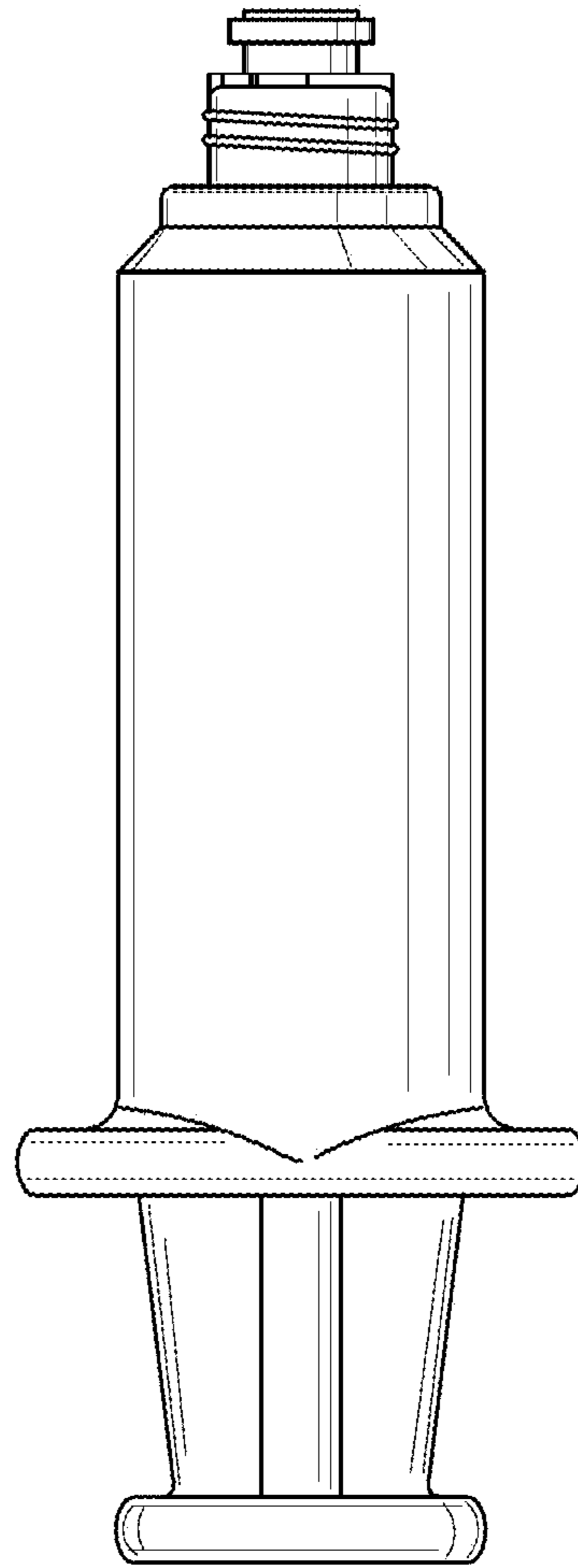


FIG. 3

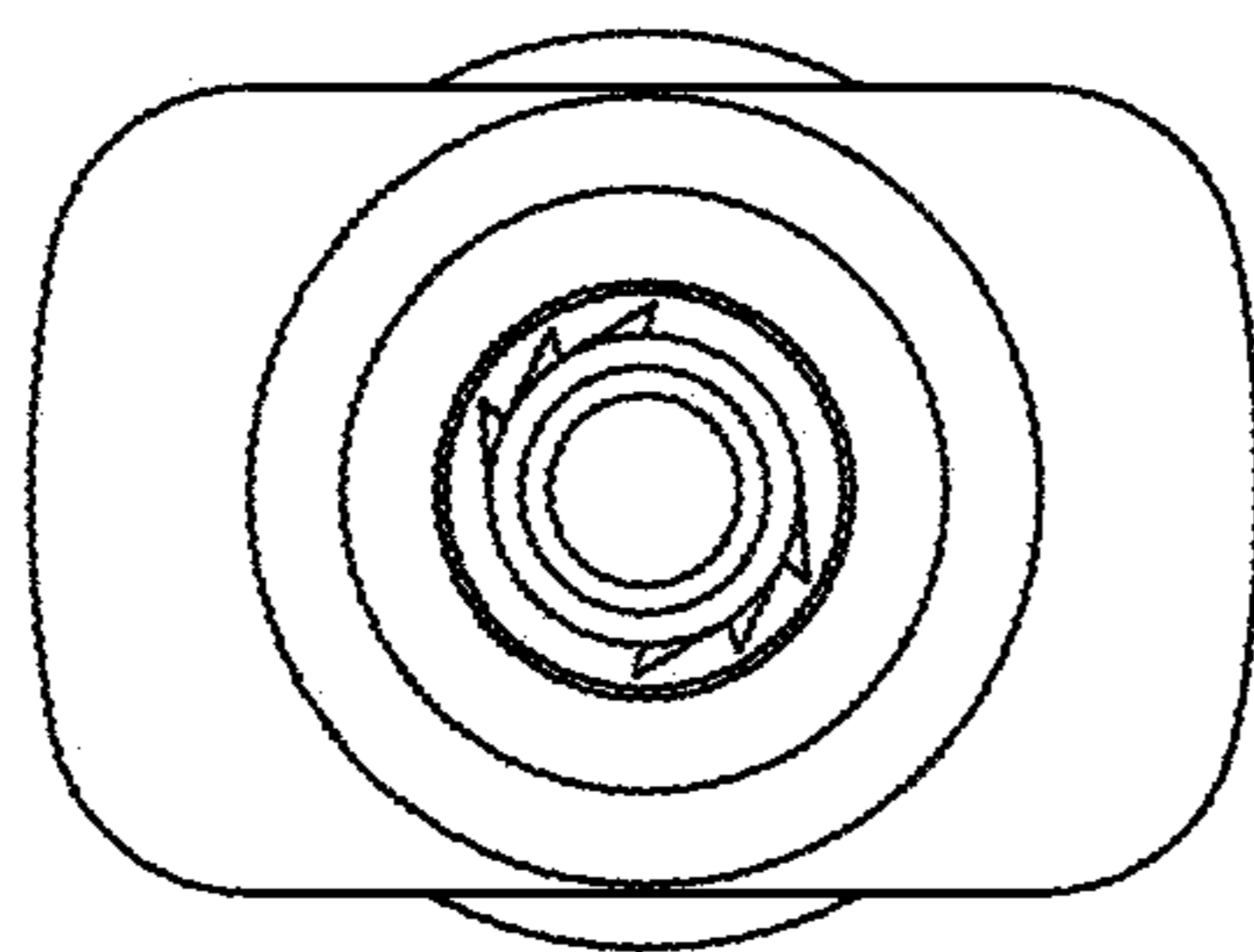


FIG. 4

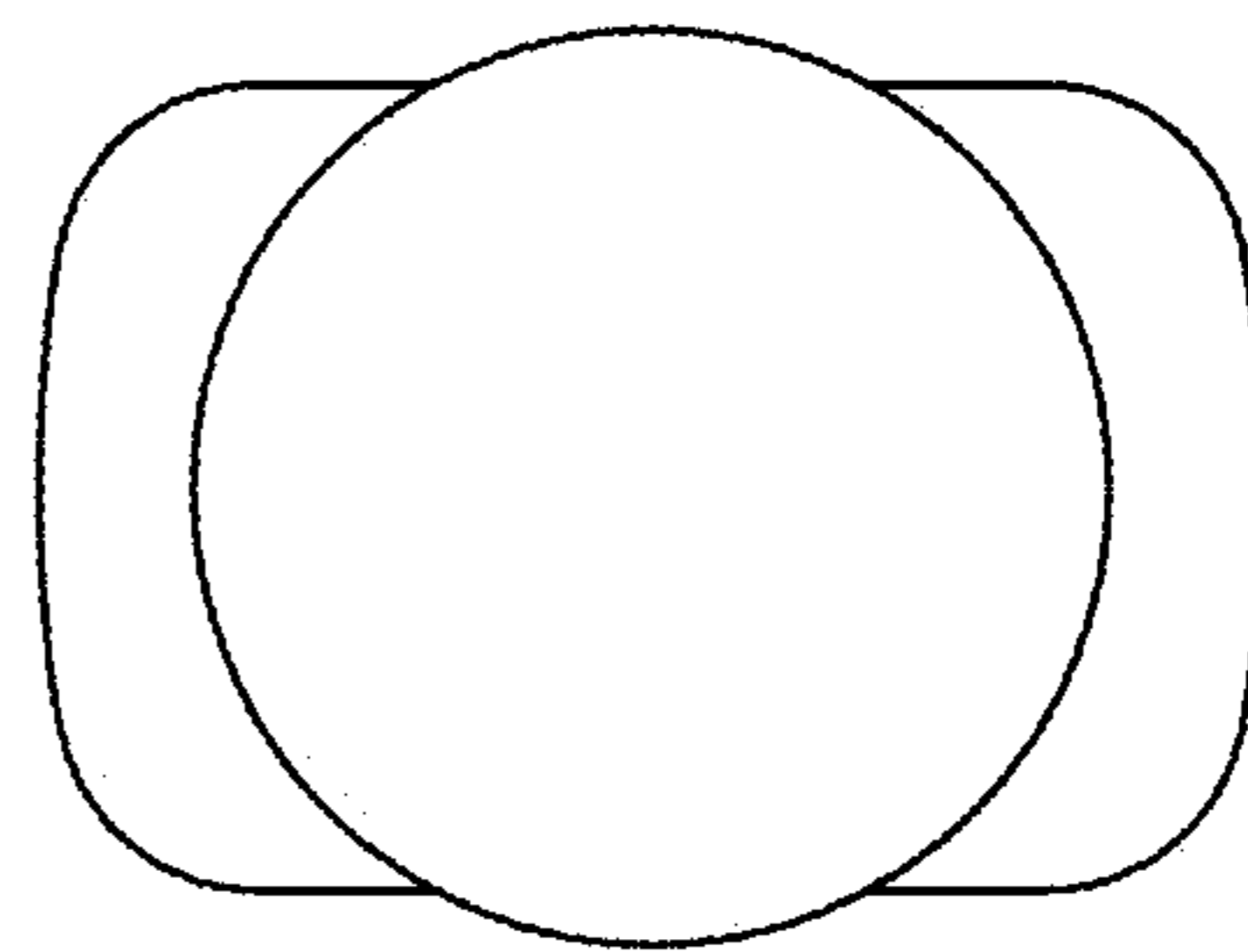


FIG. 5

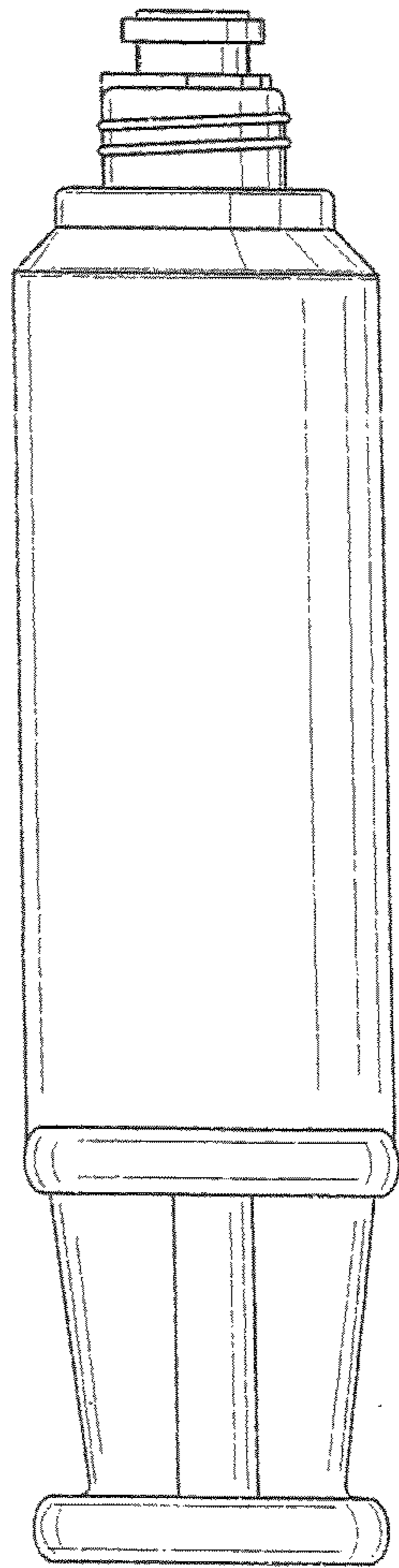


FIG. 6

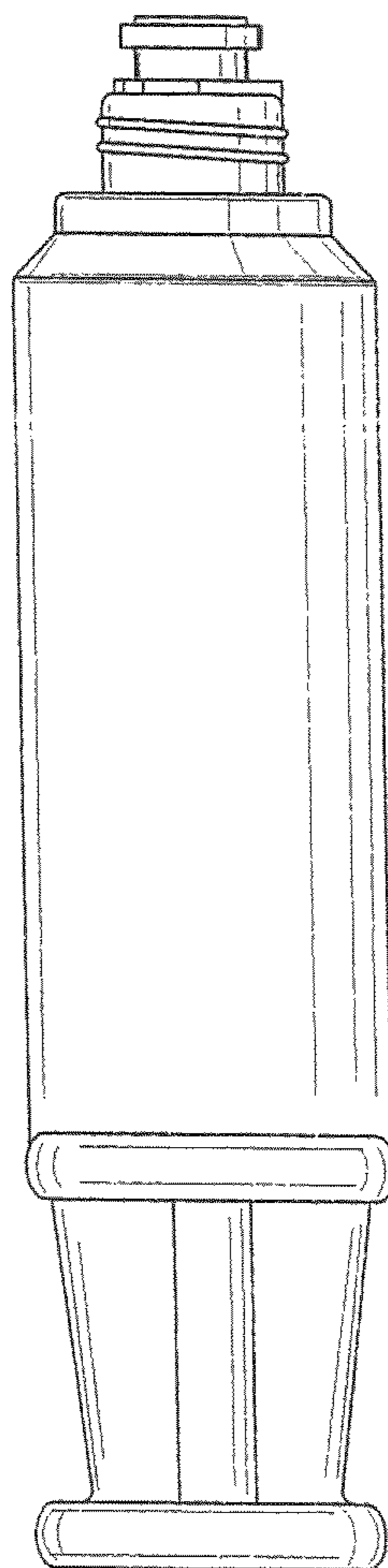


FIG. 7