



US00D694635S

(12) **United States Design Patent**  
**Corbett et al.**

(10) **Patent No.:** **US D694,635 S**

(45) **Date of Patent:** **\*\* Dec. 3, 2013**

(54) **SHAPED CONTAINER**

(75) Inventors: **Julie Corbett**, Oakland, CA (US);  
**Romeo Graham**, Chelsea (CA); **Robert Watters**, Ottawa (CA)

(73) Assignee: **Eco.logic Brands, Inc.**, Oakland, CA (US)

(\*\*) Term: **14 Years**

(21) Appl. No.: **29/402,731**

(22) Filed: **Sep. 26, 2011**

(51) **LOC (9) Cl.** ..... **09-01**

(52) **U.S. Cl.**

USPC ..... **D9/531**; D9/552

(58) **Field of Classification Search**

USPC ..... D9/434, 435, 444, 445, 516, 523, 528,  
D9/530, 531, 537-539, 540-542, 543, 552,  
D9/563, 565, 572, 575; 215/381-385;  
220/660, 669

See application file for complete search history.

(56) **References Cited**

**U.S. PATENT DOCUMENTS**

D215,084 S *	9/1969	Luedtke	.....	D9/529
D293,551 S *	1/1988	Britt	.....	D9/543
D352,244 S *	11/1994	Cramer	.....	D9/531
D359,689 S *	6/1995	Beaver	.....	D9/528
D424,946 S *	5/2000	Alsup	.....	D9/528
D429,465 S *	8/2000	Weeden	.....	D9/528
D453,111 S *	1/2002	Crawford	.....	D9/531
D453,297 S *	2/2002	Crawford	.....	D9/531
D538,670 S *	3/2007	Muhlhausen	.....	D9/531
D576,045 S *	9/2008	LeVasseur et al.	.....	D9/531
D578,006 S *	10/2008	Houck et al.	.....	D9/531
D645,754 S *	9/2011	Corbett et al.	.....	D9/523
D645,755 S *	9/2011	Corbett et al.	.....	D9/530

D649,882 S *	12/2011	Fleischhacker et al.	.....	D9/531
D657,681 S *	4/2012	Manderfield et al.	.....	D9/528
2012/0145710 A1*	6/2012	Corbett et al.	.....	220/9.4

**OTHER PUBLICATIONS**

Mohan. Eco-friendly molded-fiber bottles. Greener Package. Www.greenerpackage.com/recycled\_content/eco-friendly\_molded-fiber\_bottles Nov. 28, 2011. Accessed Aug. 15, 2012.

Packaging digest staff. Laurels recognized stars of packaging design. Bestowed by the institute of packaging professionals, the 2012 AmeriStars award excellence in packaging design. [http://www.packagingdigest.com/article/521657-Laurels\\_recognize\\_stars\\_of\\_packaging\\_design.php](http://www.packagingdigest.com/article/521657-Laurels_recognize_stars_of_packaging_design.php). May 1, 2012. Accessed Aug. 15, 2012.

\* cited by examiner

*Primary Examiner* — Keli L Hill

(74) *Attorney, Agent, or Firm* — Wilson Sonsini Goodrich & Rosati

(57) **CLAIM**

The ornamental design for a shaped container, as shown and described.

**DESCRIPTION**

FIG. 1 is a top front perspective view of the container design showing our new design;

FIG. 2 is a top rear perspective view thereof;

FIG. 3 is a top plan view thereof;

FIG. 4 is a rear elevational view thereof;

FIG. 5 is a left side elevational view thereof;

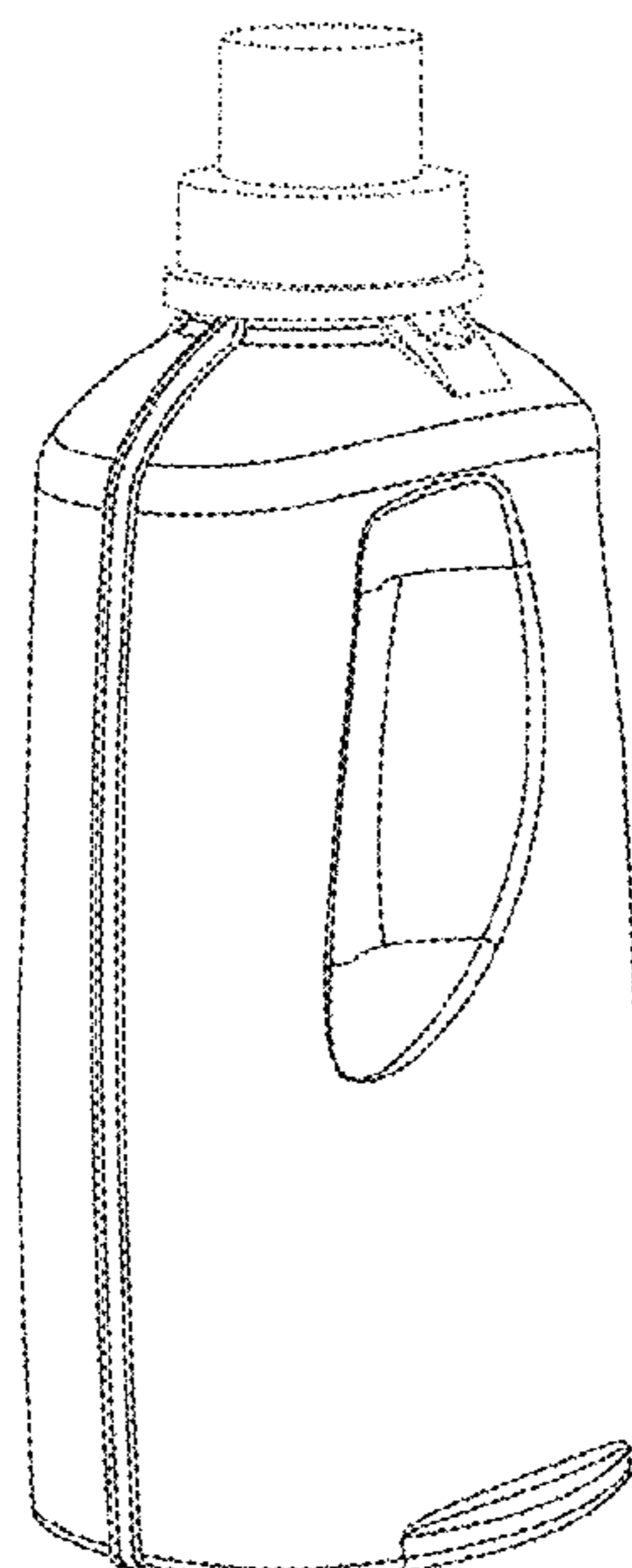
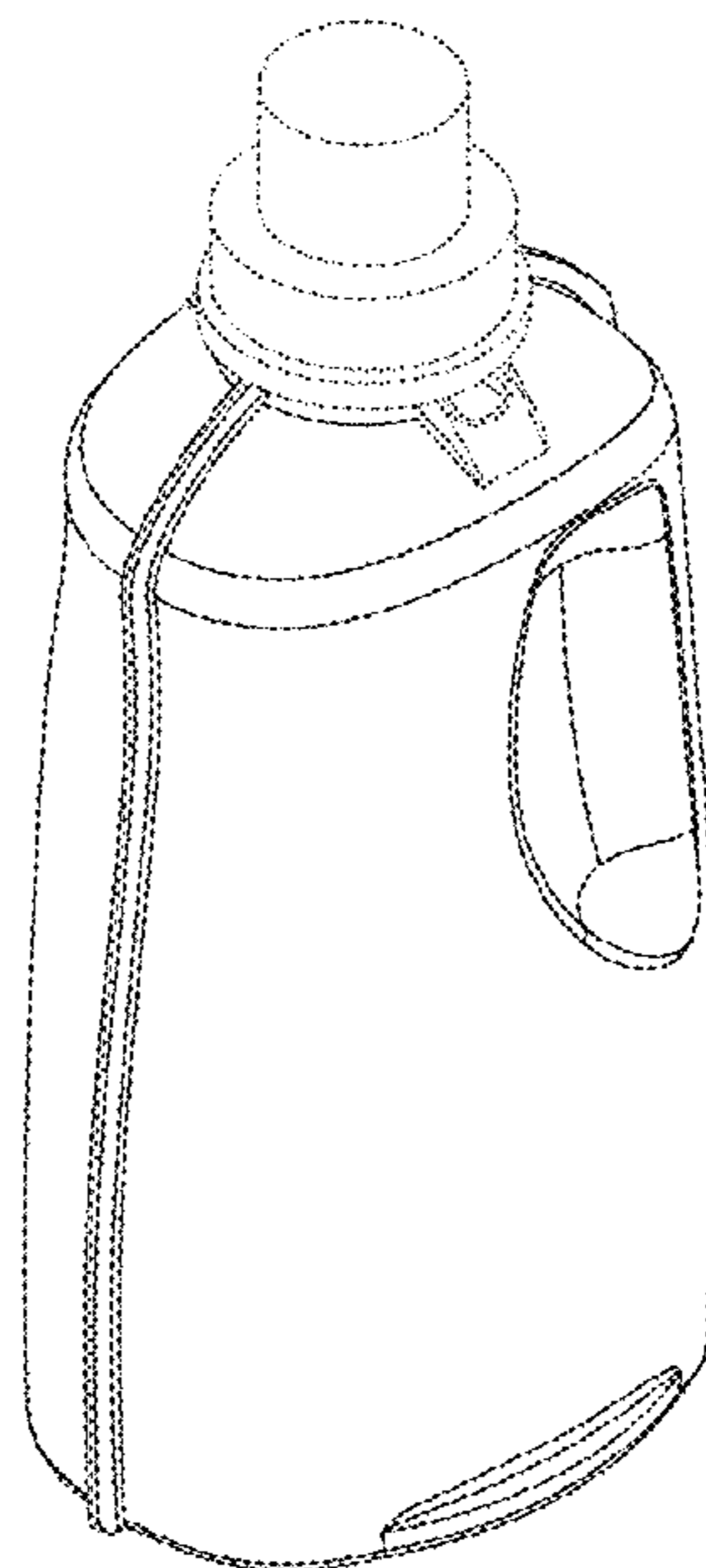
FIG. 6 is a front elevational view thereof;

FIG. 7 is a bottom plan view thereof; and,

FIG. 8 is a right side elevational view thereof.

The broken lines shown are included for the purpose of illustrating the unclaimed portions of the article and form no part of the claim.

**1 Claim, 3 Drawing Sheets**



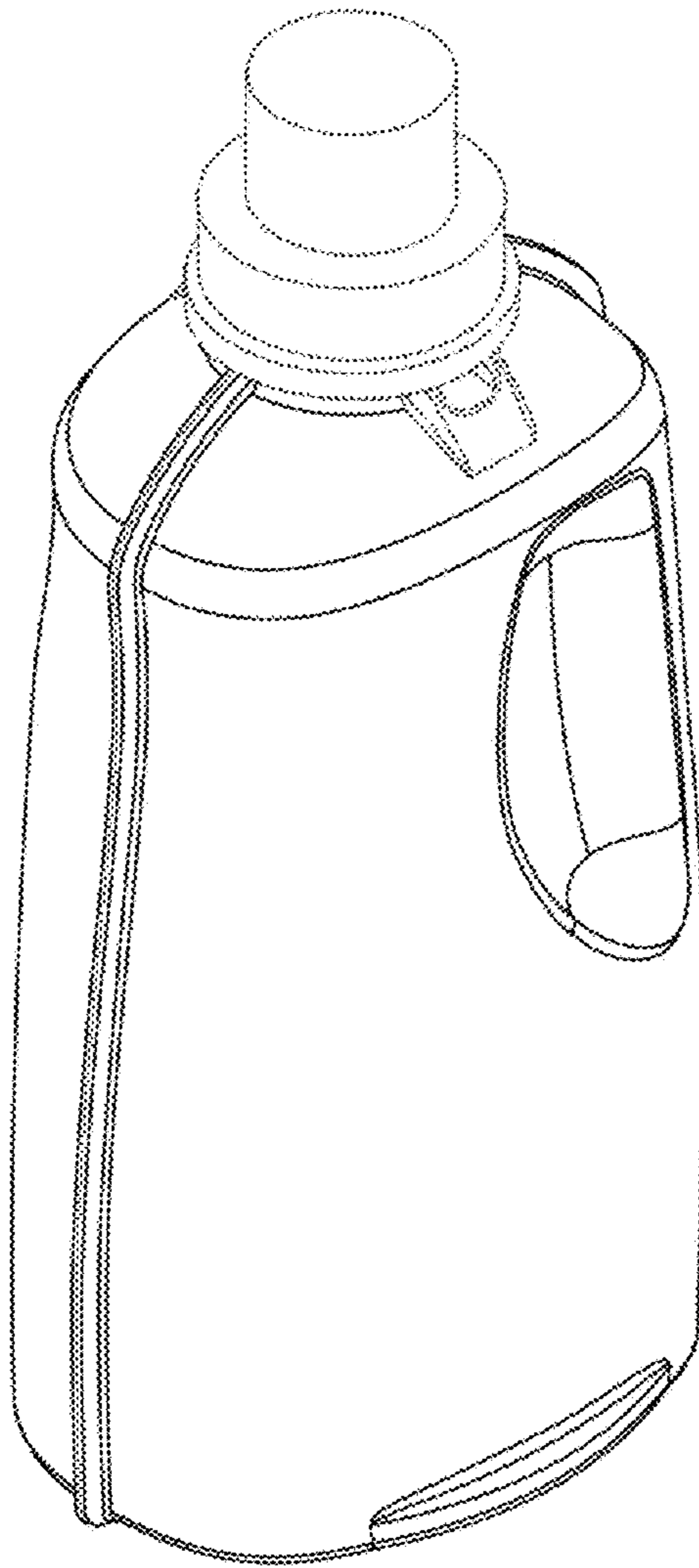


FIG. 1

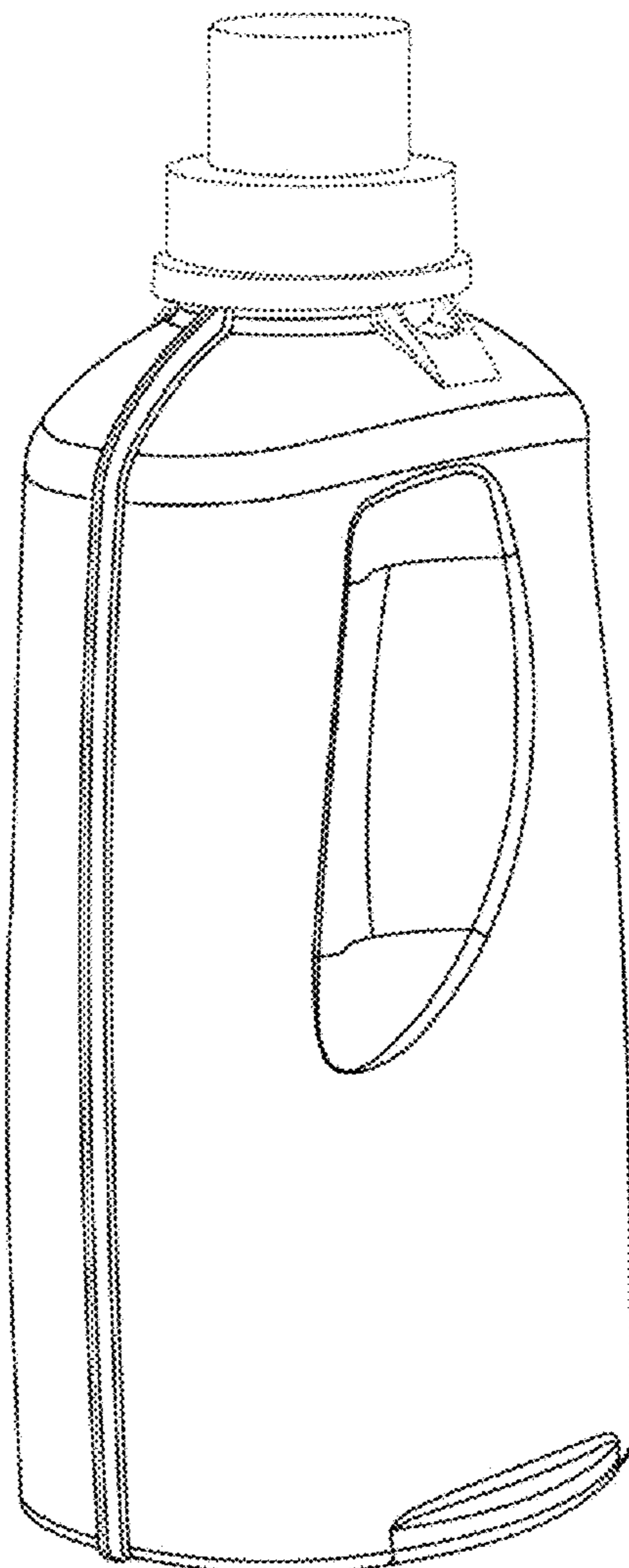


FIG. 2

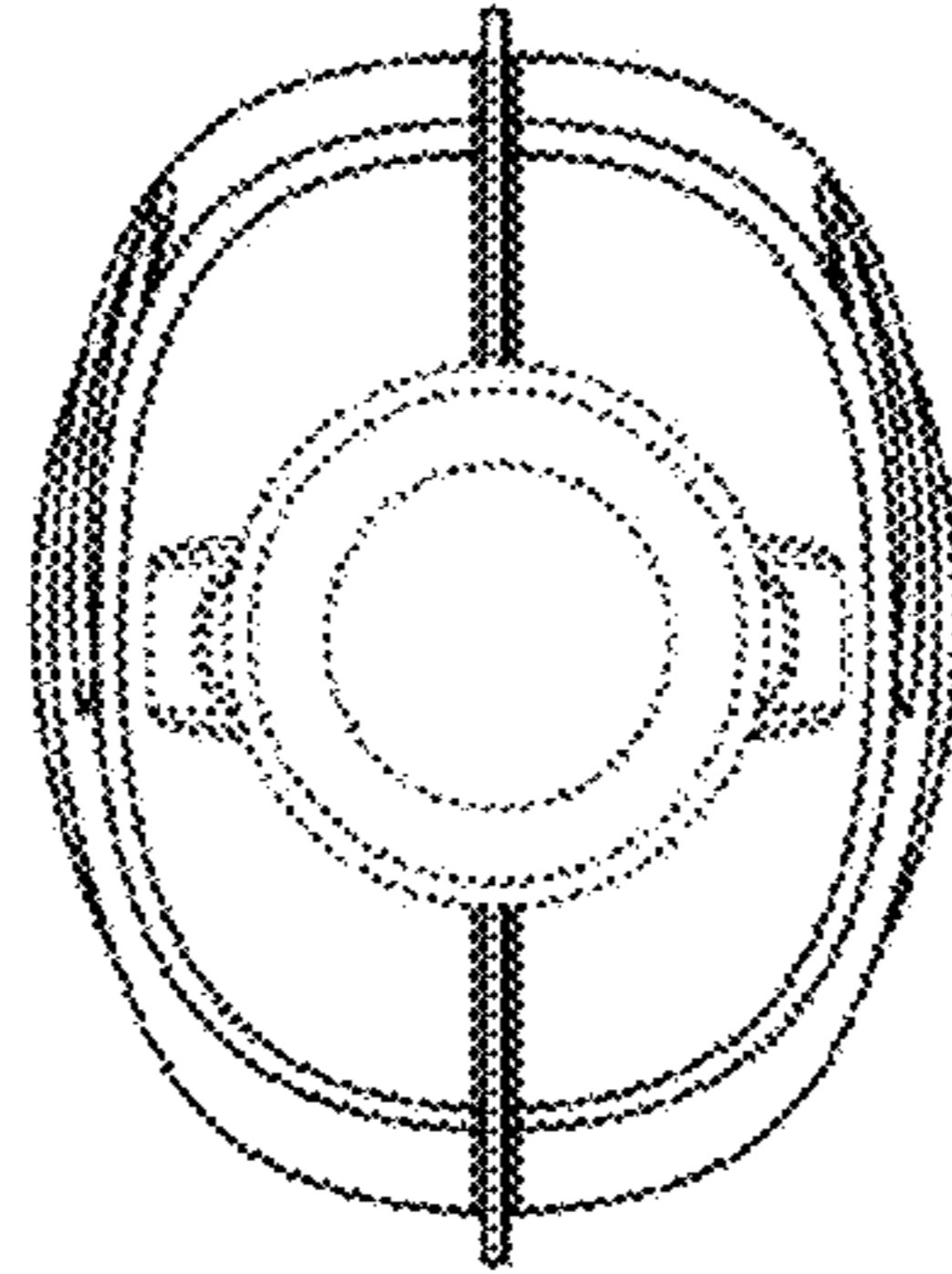


FIG. 3

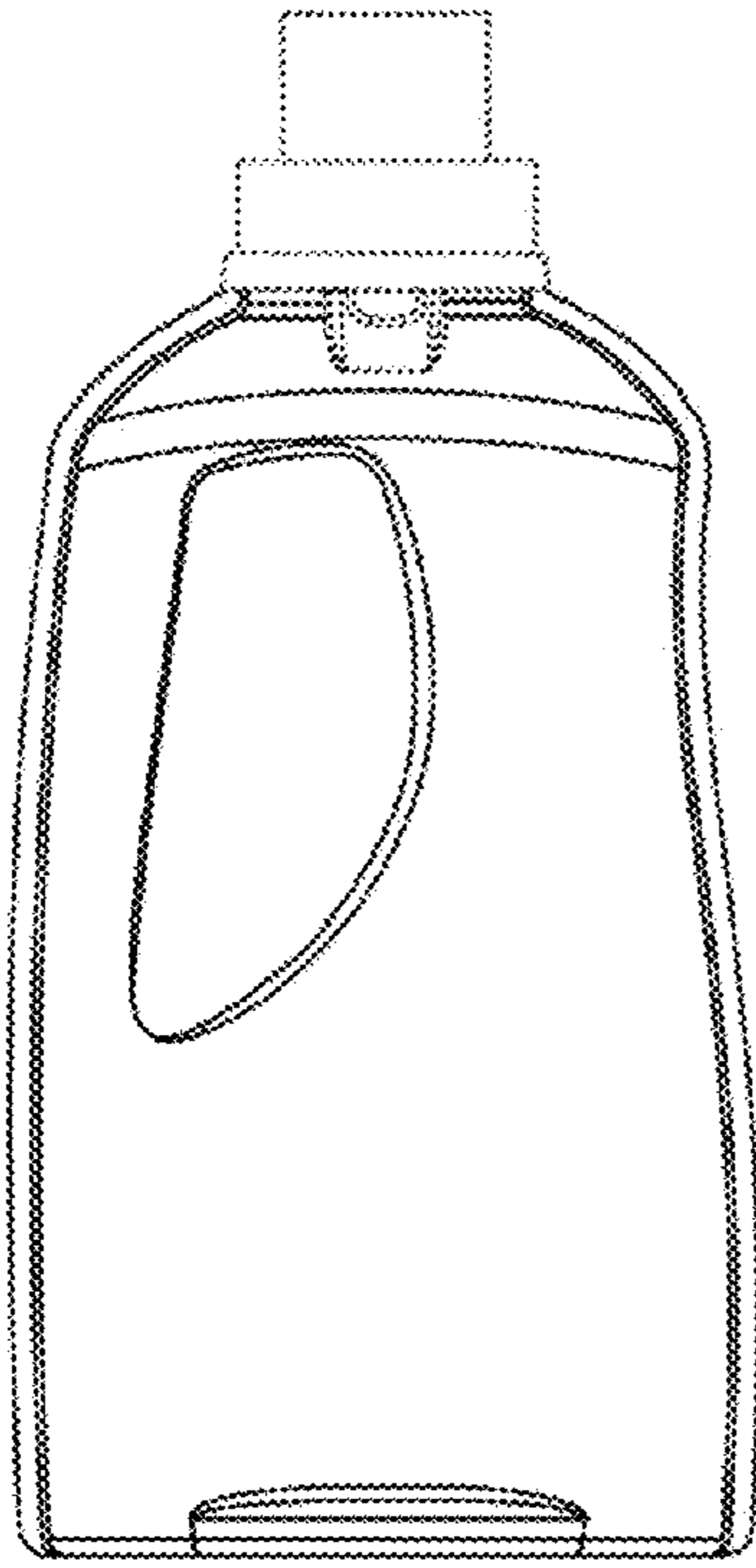


FIG. 4

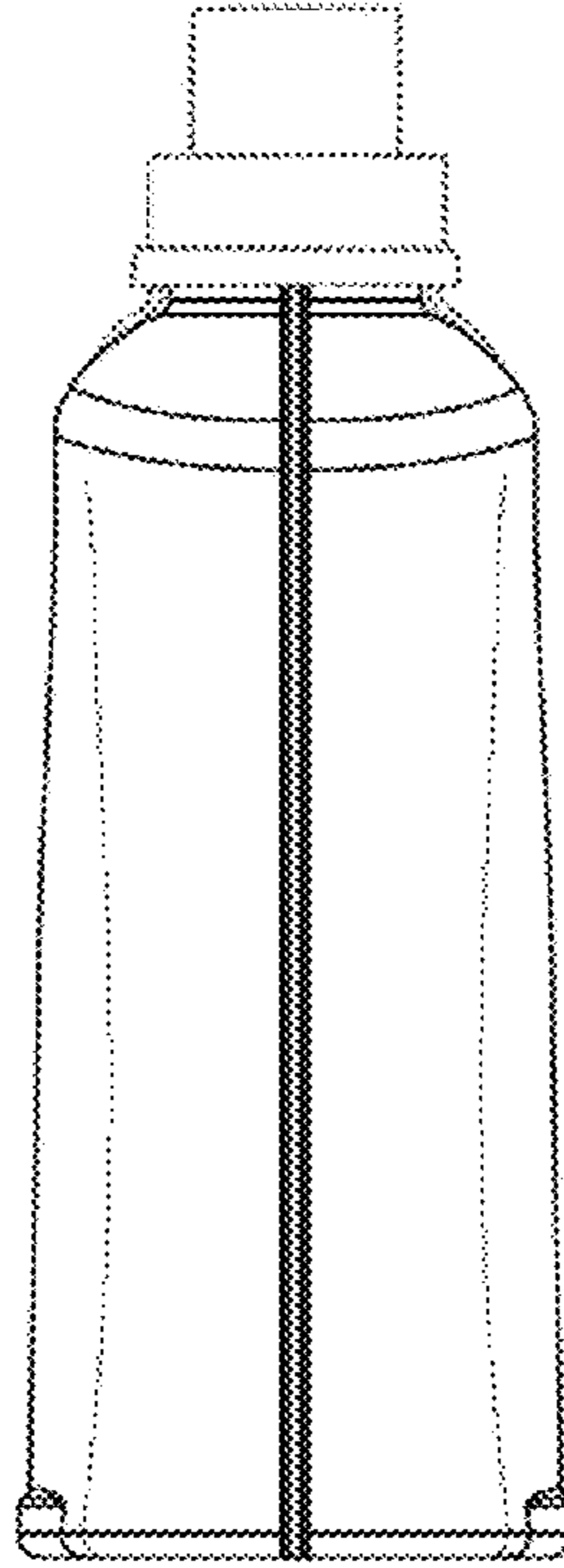


FIG. 5

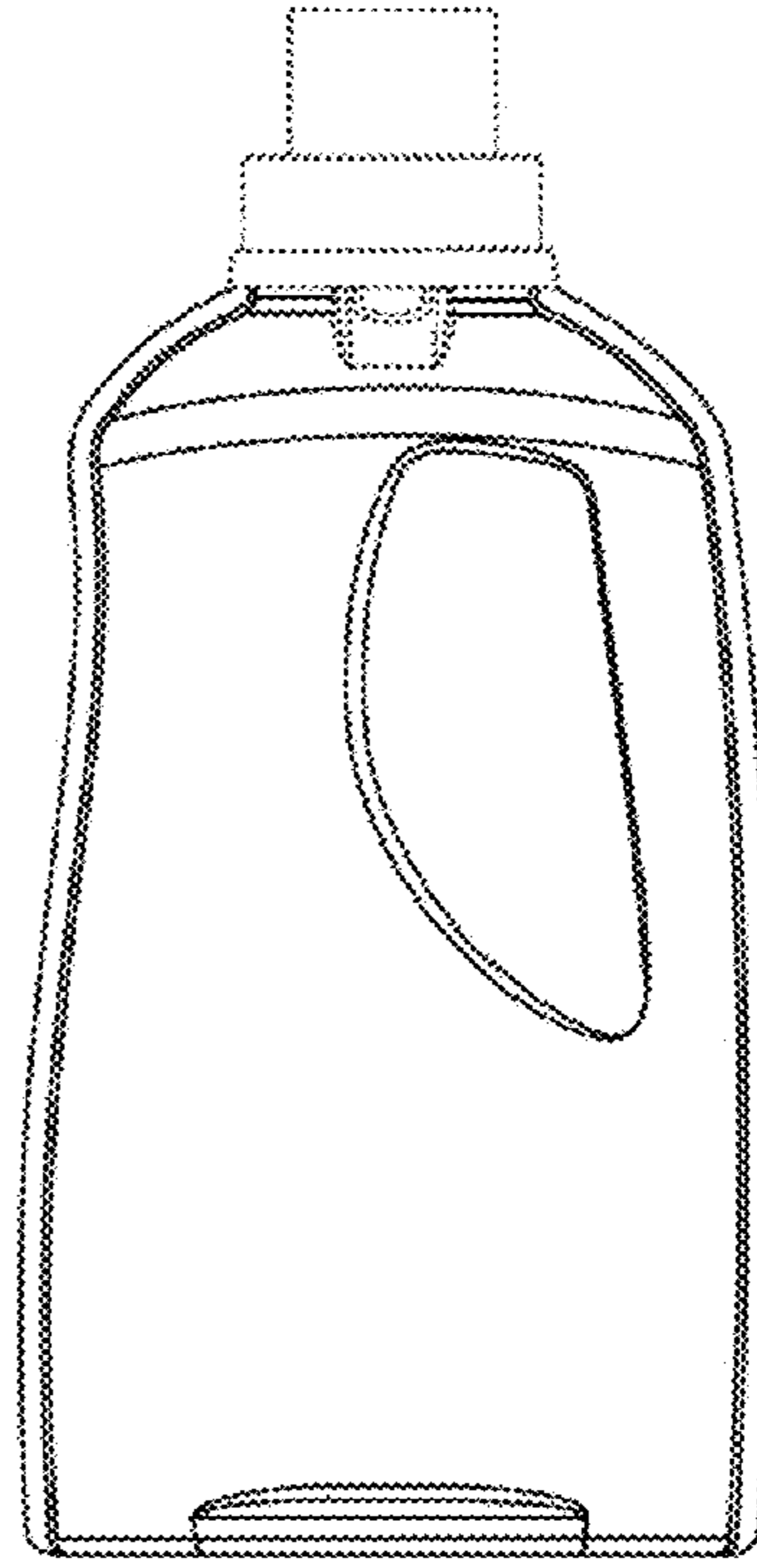


FIG. 6

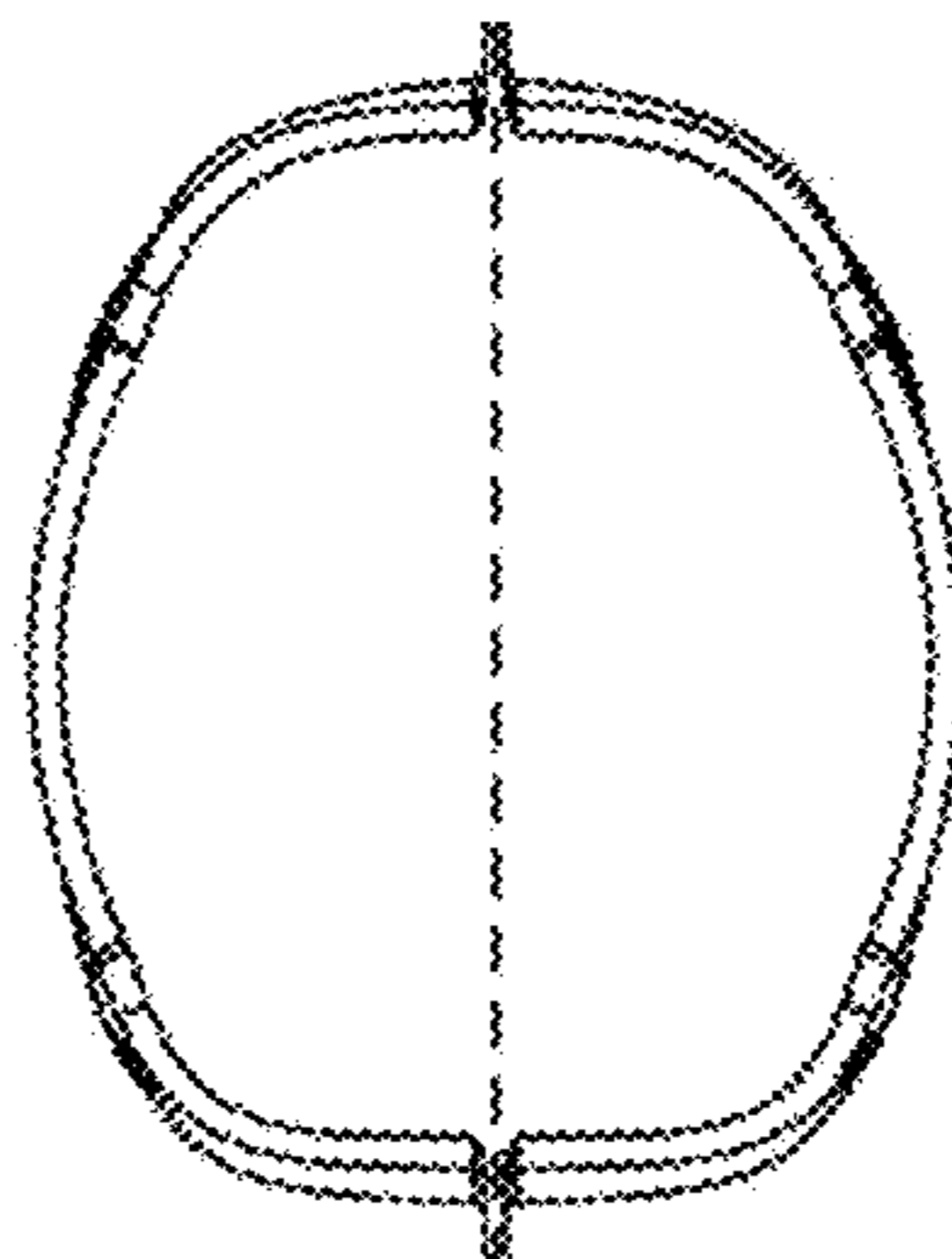


FIG. 7

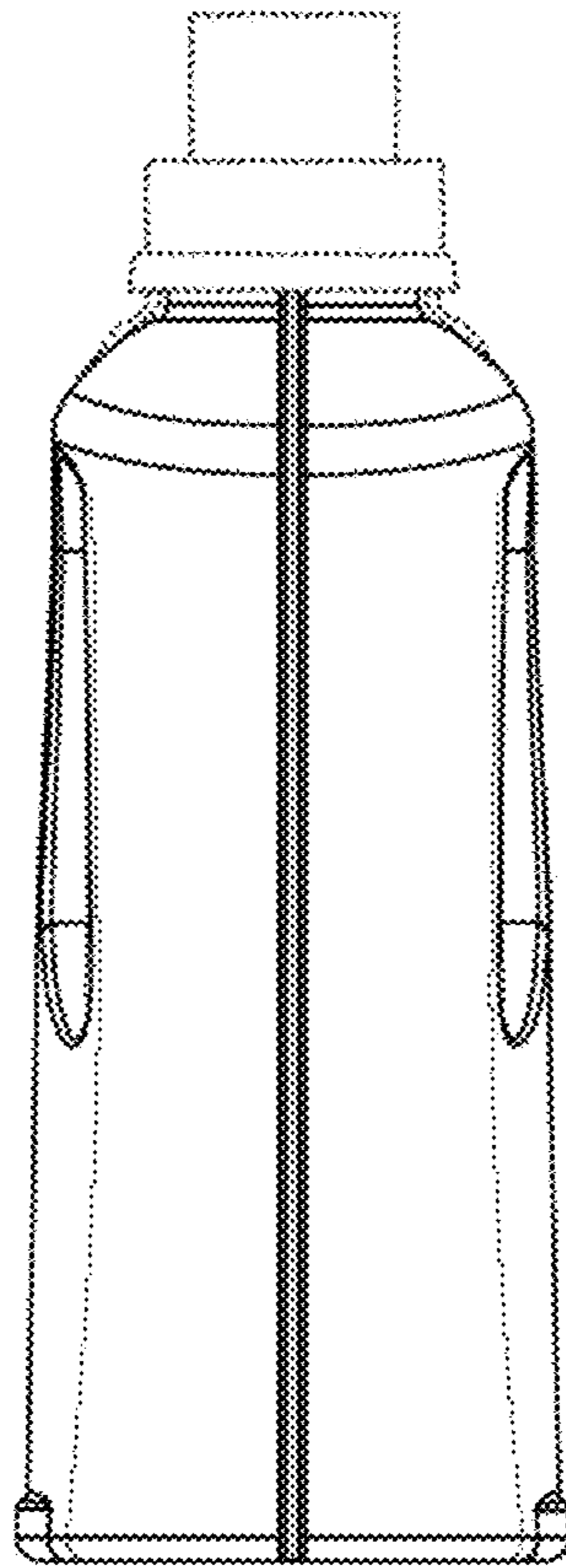


FIG. 8