



US00D694634S

(12) **United States Design Patent**
Sordo et al.

(10) **Patent No.:** **US D694,634 S**

(45) **Date of Patent:** **** Dec. 3, 2013**

(54) **ACTIVE SUBSTANCE CONTAINER FOR DIFFUSERS**

(75) Inventors: **Walter Sordo**, Trento (IT); **Andrea Pedrotti**, Trento (IT)

(73) Assignee: **Zobebe Espana, S.A.** (ES)

(**) Term: **14 Years**

(21) Appl. No.: **29/388,740**

(22) Filed: **Apr. 1, 2011**

(30) **Foreign Application Priority Data**

Oct. 1, 2010 (EM) 1762311

(51) **LOC (9) Cl.** **09-01**

(52) **U.S. Cl.**
USPC **D9/522; D9/523; D9/564; D9/571;**
D9/575; D23/366

(58) **Field of Classification Search**

USPC **D9/516, 522-523, 563-564, 571-572,**
D9/575; D23/355, 366; 215/379-383;
220/660-662, 669-73, 675;
216/DIG. 17, DIG. 88, DIG. 89; 239/34,
239/44, 47

See application file for complete search history.

(56) **References Cited**

U.S. PATENT DOCUMENTS

D200,442 S *	2/1965	Lorenzen	D9/564
D556,582 S *	12/2007	Heijdenrijk	D9/522
D590,270 S *	4/2009	Friedman et al.	D9/658
D604,619 S *	11/2009	Tebe Poves et al.	D9/522
D617,196 S *	6/2010	Weggelaar	D9/522
D634,209 S *	3/2011	Myojin et al.	D9/564
D657,860 S *	4/2012	Sordo et al.	D23/366

* cited by examiner

Primary Examiner — Ian Simmons

Assistant Examiner — Dana L Meyrow

(74) *Attorney, Agent, or Firm* — Cantor Colburn LLP

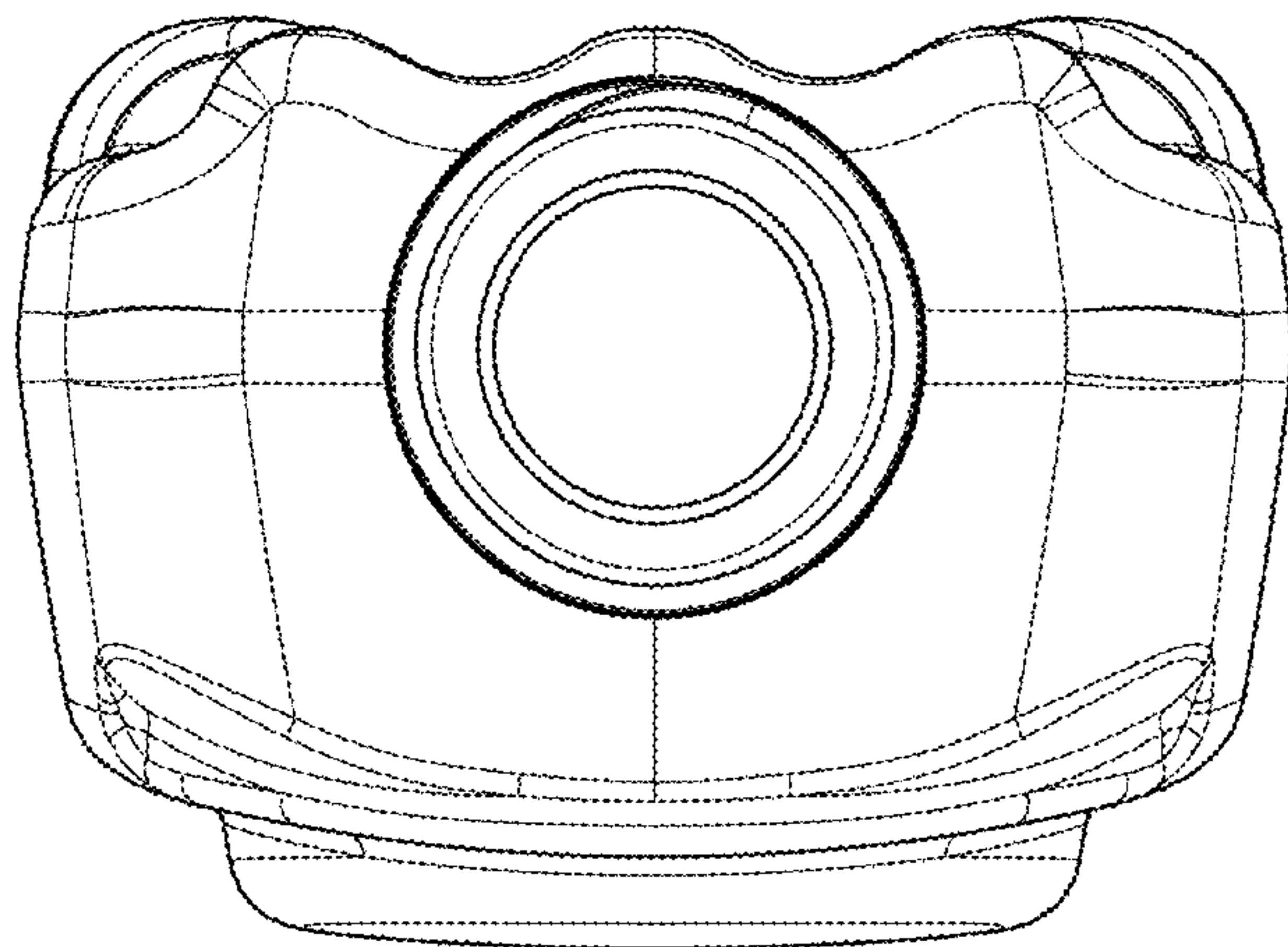
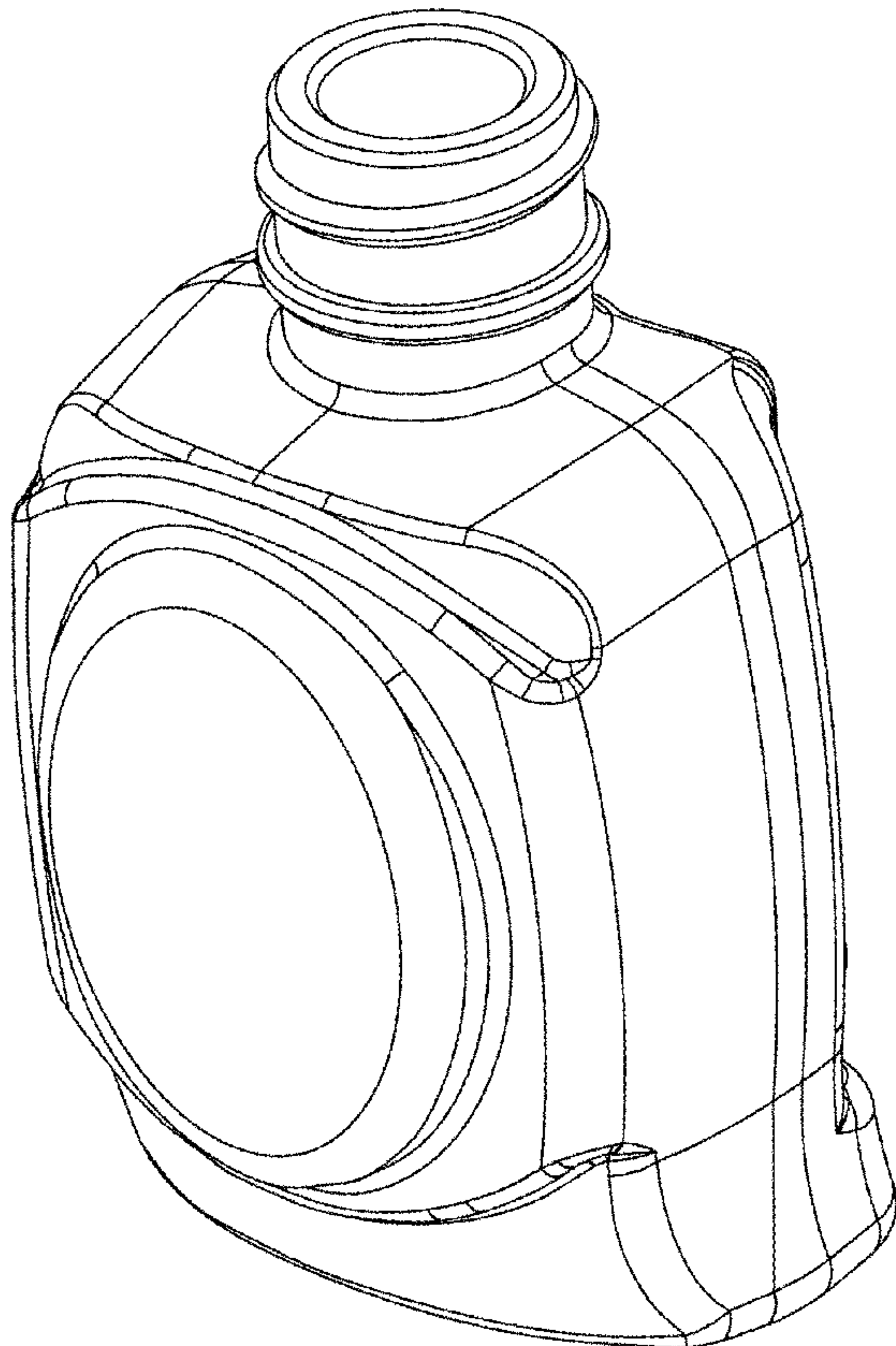
(57) **CLAIM**

We claim, the ornamental design for active substance container for diffusers, as shown and described.

DESCRIPTION

FIG. 1 is a front perspective view of an active substance container for diffusers, showing our new design;
FIG. 2 is front elevation view thereof;
FIG. 3 is a side elevation view taken from the left of FIG. 2;
FIG. 4 is a rear elevation view thereof;
FIG. 5 is a top plan view thereof;
FIG. 6 is a side elevation view taken from the right of FIG. 2;
and,
FIG. 7 is a bottom plan view thereof.

1 Claim, 7 Drawing Sheets



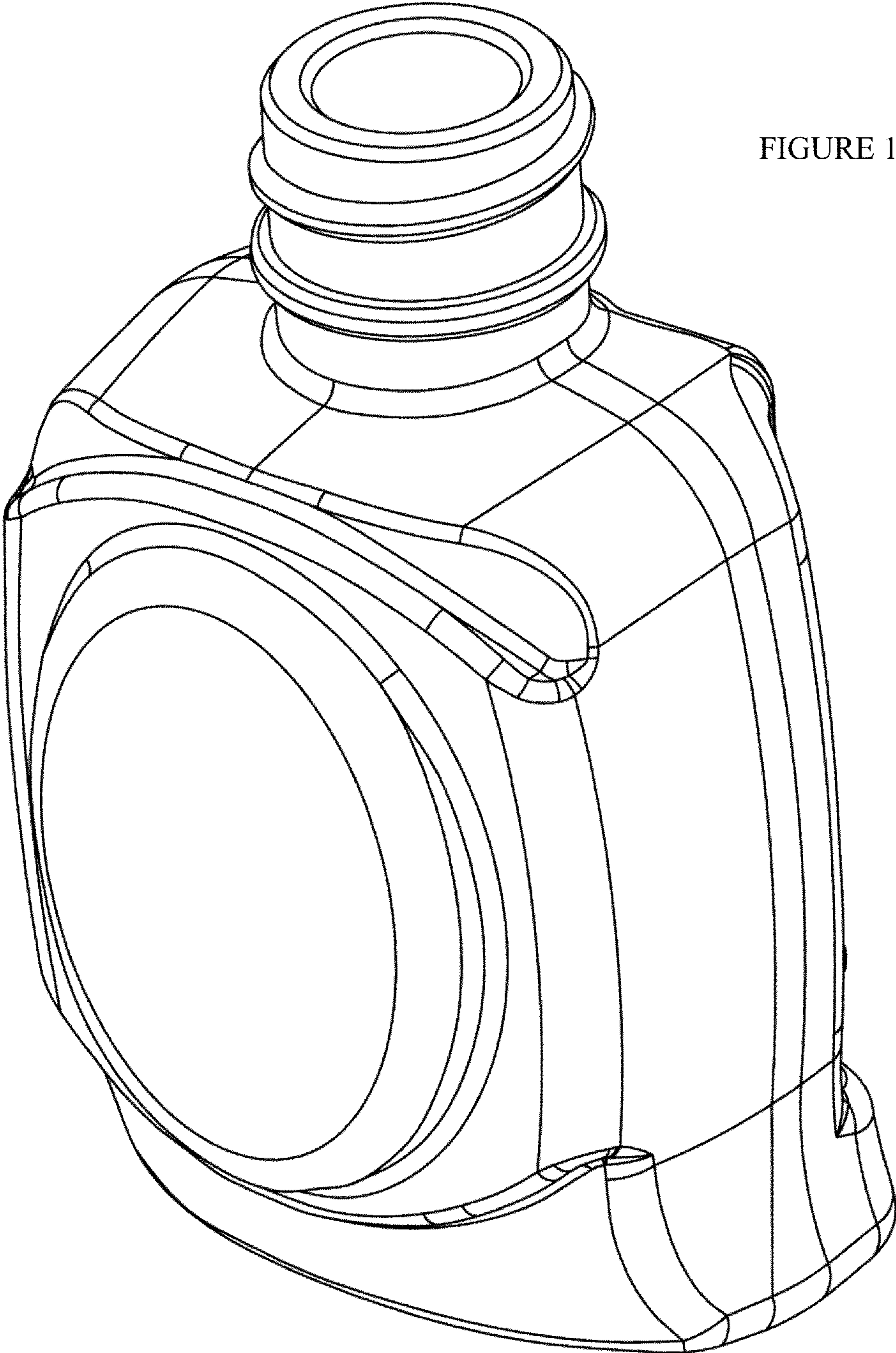


FIGURE 1

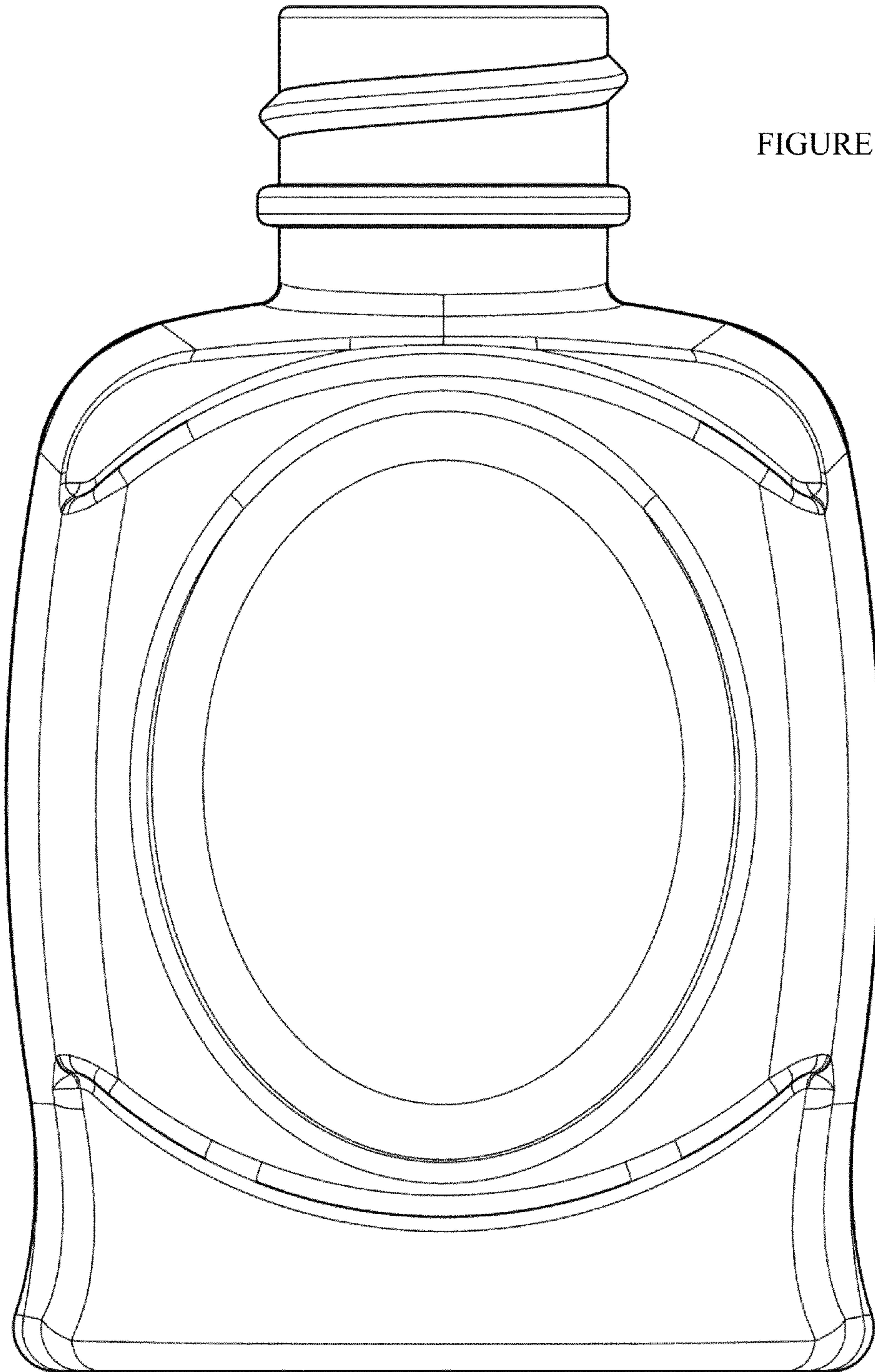


FIGURE 2



FIGURE 3

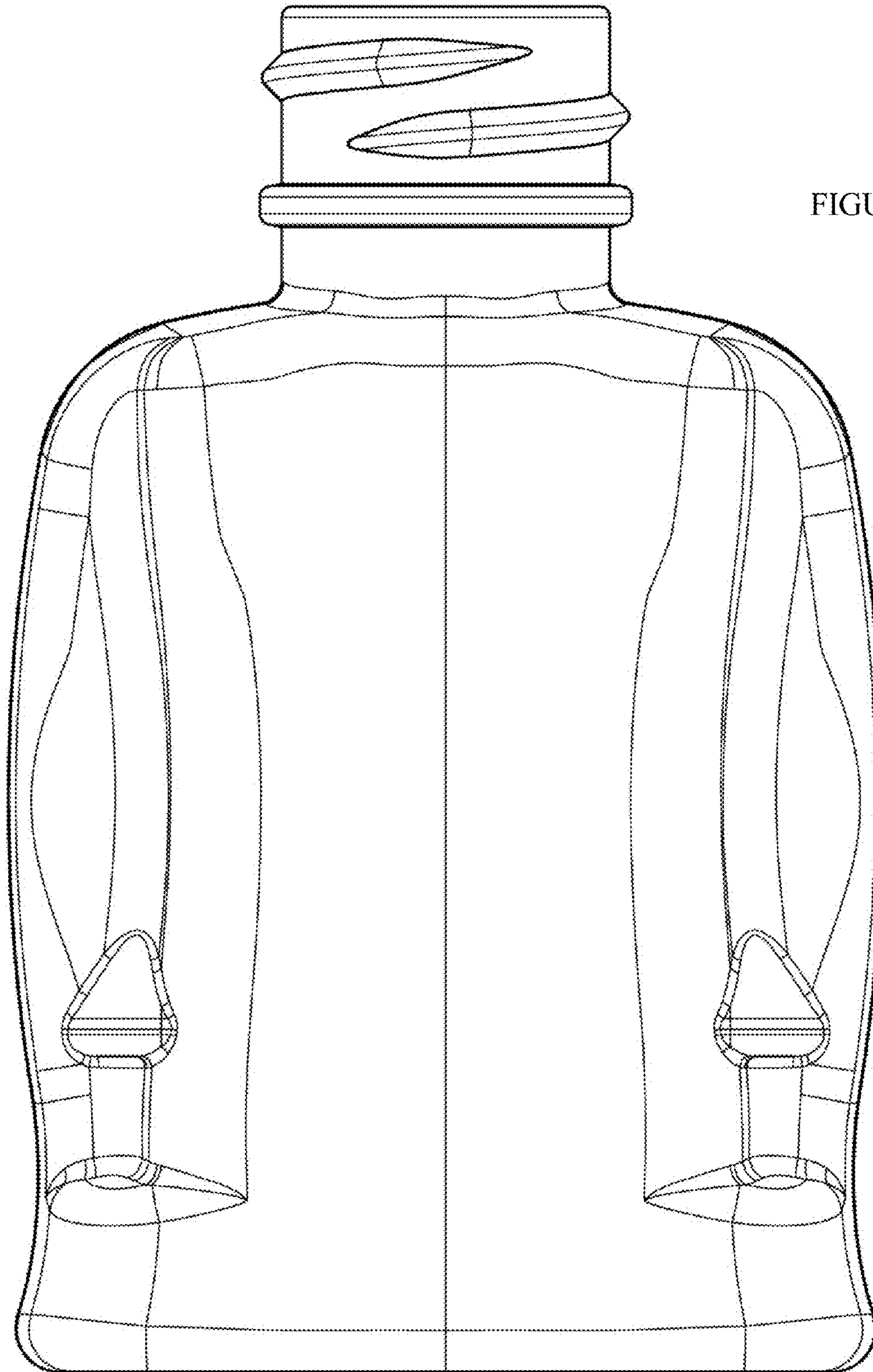


FIGURE 4

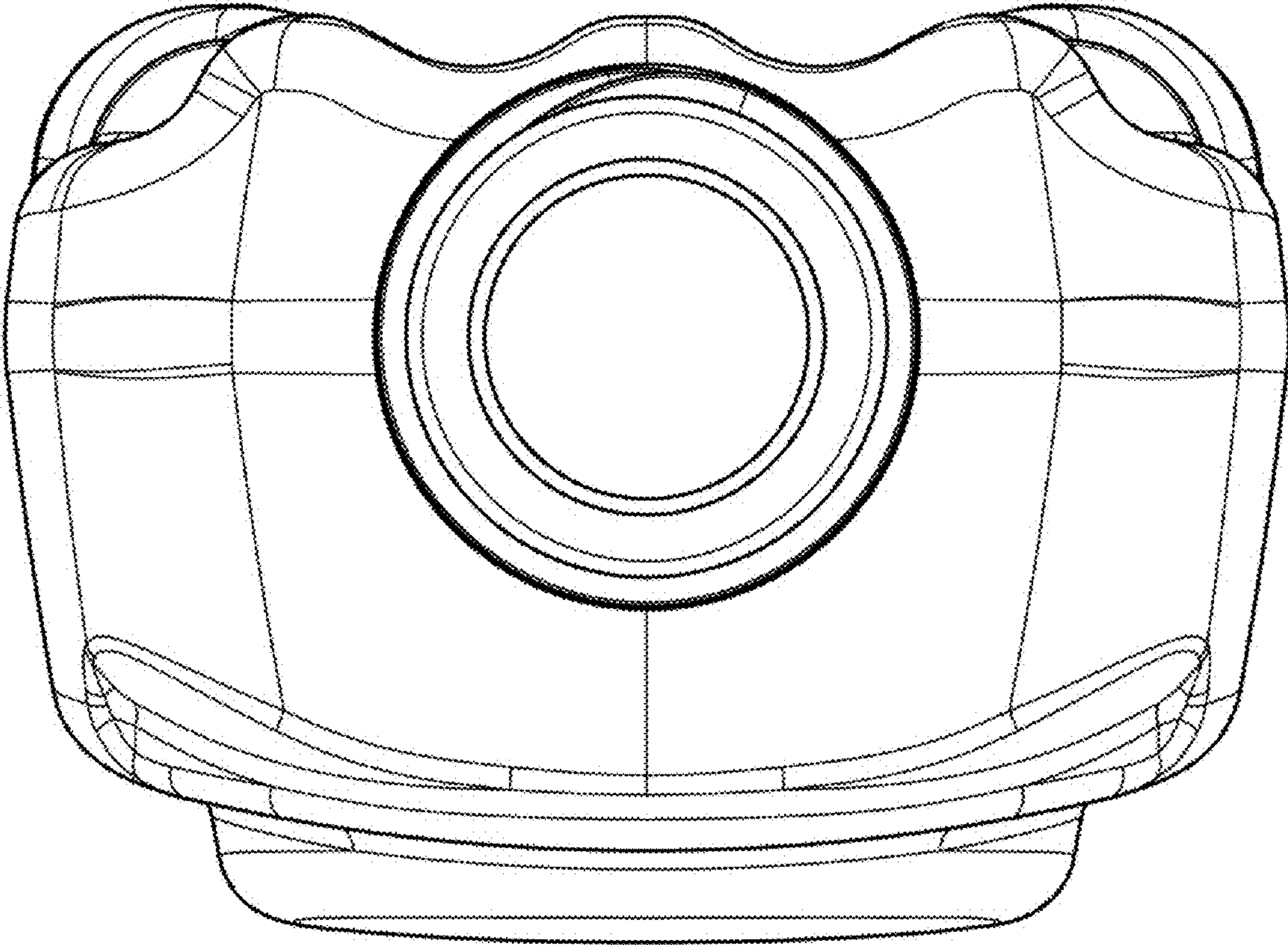


FIGURE 5

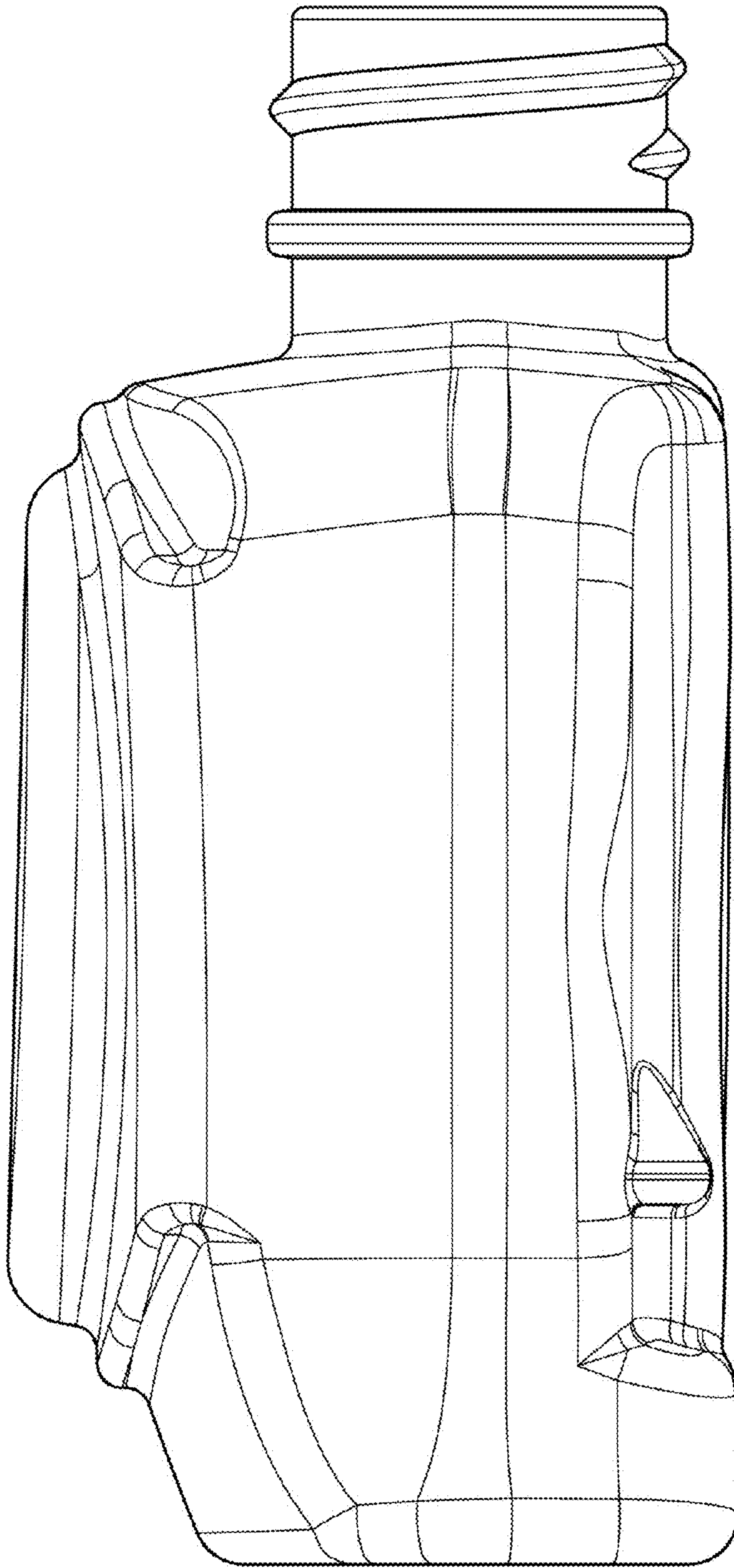


FIGURE 6

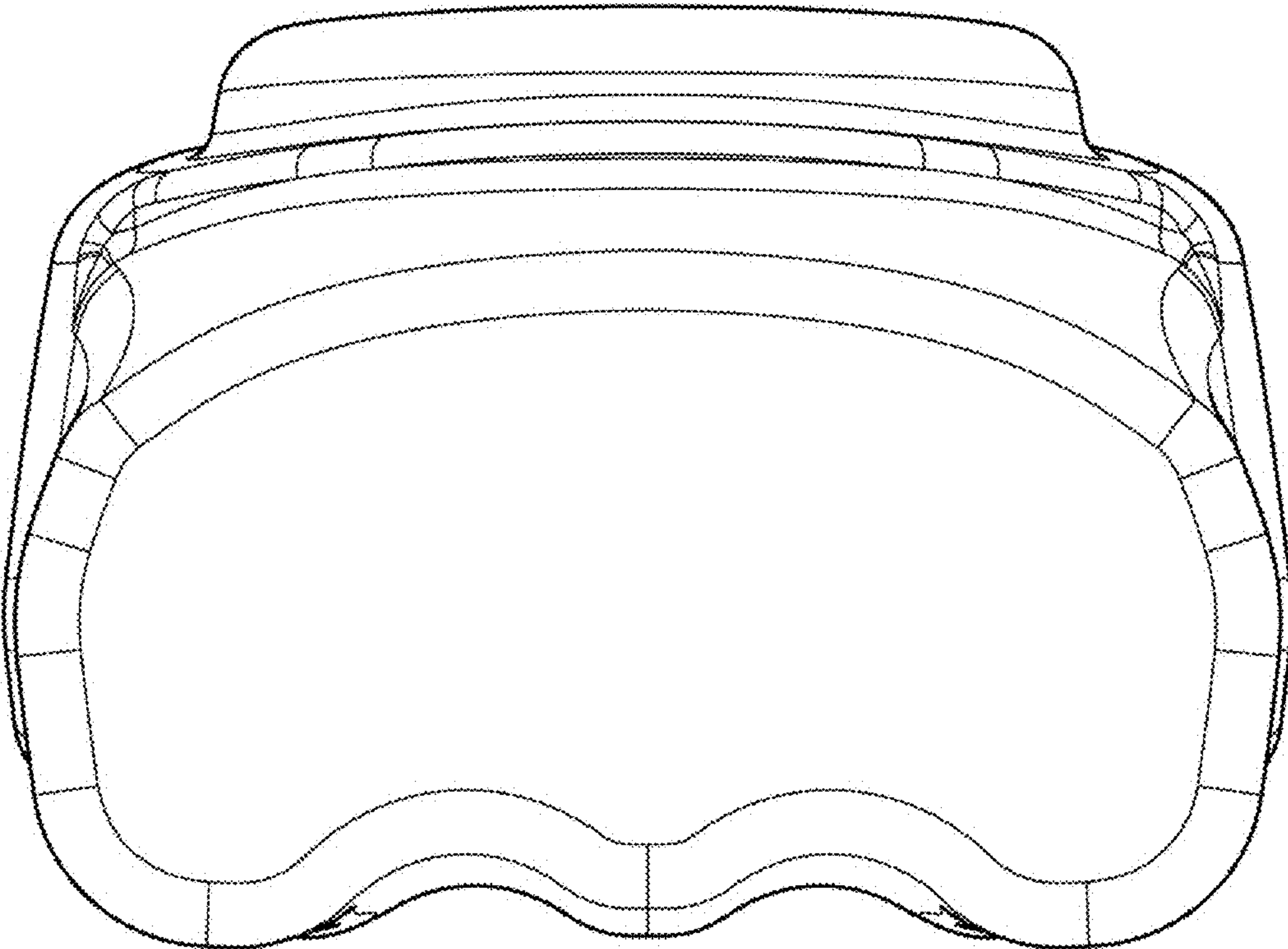


FIGURE 7