



US00D694630S

(12) **United States Design Patent**
Crawford

(10) **Patent No.:** **US D694,630 S**
(45) **Date of Patent:** **** Dec. 3, 2013**

(54) **CONTAINER**
(75) **Inventor:** **John C. Crawford**, Mahopac, NY (US)
(73) **Assignee:** **Colgate-Palmolive Company**, New York, NY (US)

D329,383 S 9/1992 Boucheron
D336,237 S 6/1993 Rossi
D337,275 S 7/1993 Tutssel

(Continued)

(**) **Term:** **14 Years**

AU 136636 3/1999
AU 144335 7/2001

(Continued)

(21) **Appl. No.:** **29/424,004**

FOREIGN PATENT DOCUMENTS

(22) **Filed:** **Jun. 7, 2012**

Primary Examiner — Carol P Rademaker

(74) *Attorney, Agent, or Firm* — Judy W. Chung

(51) **LOC (9) Cl.** **09-01**

(57) **CLAIM**

(52) **U.S. Cl.**
USPC **D9/516; D9/565**

The ornamental design for a container, as shown and described.

(58) **Field of Classification Search**
USPC D9/516, 529–530, 537–546, 549–550,
D9/552, 554, 556, 562–563, 565, 567, 569,
D9/574–575, 682–694; 215/379, 381–384;
220/669, 675

DESCRIPTION

See application file for complete search history.

FIG. 1 is a top, front left side perspective view of a container according to a first embodiment of the new design;
FIG. 2 is a front elevational view thereof;
FIG. 3 is a rear elevational view thereof;
FIG. 4 is a left side elevational view thereof;
FIG. 5 is a right side elevational view thereof;
FIG. 6 is a top plan view thereof;
FIG. 7 is a bottom plan view thereof;
FIG. 8 is a top, front, left side perspective view of a container according to a second embodiment of the new design;
FIG. 9 is a front elevational view thereof;
FIG. 10 is a rear elevational view thereof;
FIG. 11 is a left side elevational view thereof;
FIG. 12 is a right side elevational view thereof;
FIG. 13 is a top plan view thereof; and,
FIG. 14 is a bottom plan view thereof.

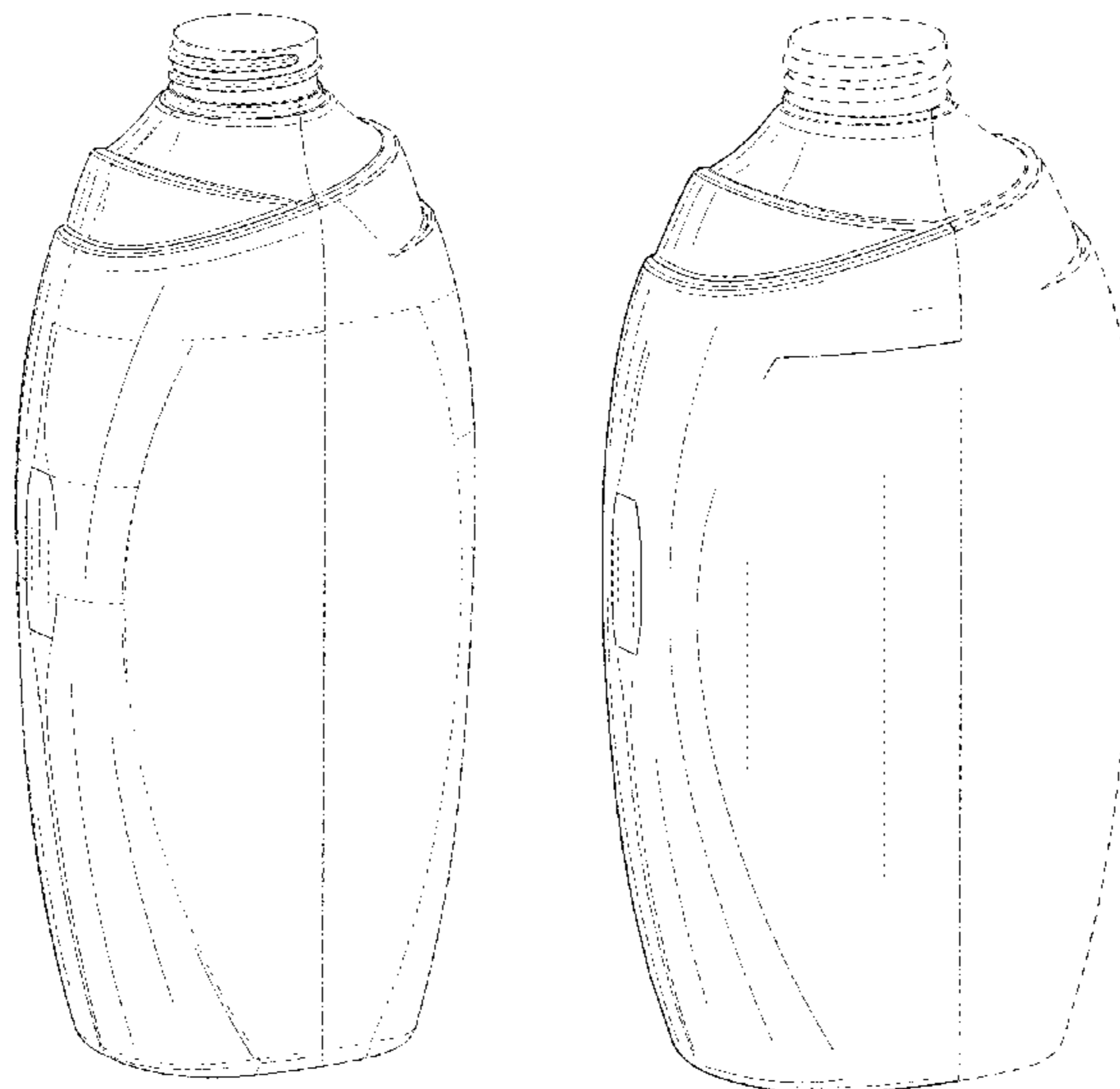
(56) **References Cited**

U.S. PATENT DOCUMENTS

D176,226 S	11/1955	Morris
D185,526 S	5/1959	Alvey
D204,026 S	3/1966	Lorenzen
D207,800 S	5/1967	Roberts
D211,933 S	8/1968	Horne
D212,458 S	10/1968	Sterges
3,468,447 A	9/1969	Smalley
D217,058 S	3/1970	Marsh
D227,344 S	6/1973	Lerner
D229,546 S	12/1973	Plummer
D245,225 S	8/1977	Lyons
D254,652 S	4/1980	Shortino
D268,896 S	5/1983	Sledge
D277,734 S	2/1985	Harris
D277,823 S	3/1985	Harris
D278,122 S	3/1985	Harris
D286,984 S	12/1986	Durand

The dash-dash-dash type broken lines shown in the drawings are included for the purpose of illustrating environmental structure and form no part of the claimed design.
The dot-dash-dot-dash type broken line shown in the drawings defines the lower boundary of the claimed design.

1 Claim, 10 Drawing Sheets



(56)

References Cited

U.S. PATENT DOCUMENTS

D338,828 S 8/1993 Segati
 D342,902 S 1/1994 Granai
 D356,263 S 3/1995 Matsumoto
 D362,187 S 9/1995 Thompson
 D369,557 S 5/1996 Hiro et al.
 D376,310 S 12/1996 Crawford
 D378,665 S 4/1997 Fenton et al.
 D413,263 S 8/1999 Pritchard et al.
 D413,266 S 8/1999 Majerowski et al.
 D418,064 S 12/1999 Pritchard et al.
 D418,746 S 1/2000 Featherstone et al.
 6,039,224 A 3/2000 Dallas et al.
 D423,361 S 4/2000 Negre
 D433,339 S 11/2000 Colonna de Giovellina
 D442,854 S 5/2001 Weber
 D444,389 S 7/2001 Bakic
 D449,229 S 10/2001 Mohary et al.
 D450,593 S 11/2001 Jebb et al.
 D456,717 S 5/2002 Roher
 D461,718 S 8/2002 Brozell
 D463,744 S 10/2002 Brozell
 D467,815 S 12/2002 Cummings
 D468,214 S 1/2003 Kuzma et al.
 D470,043 S 2/2003 Crawford
 D473,141 S 4/2003 Cummings
 D485,308 S 1/2004 DeLuca
 D489,621 S * 5/2004 Grisdale et al. D9/552 X
 D494,870 S 8/2004 Bakic
 D498,681 S 11/2004 Fenton et al.
 D501,143 S 1/2005 Bakic
 D504,620 S 5/2005 Kazuo et al.
 D513,190 S 12/2005 Busa, Jr. et al.
 D520,873 S 5/2006 Lovell
 D526,902 S 8/2006 Cummings
 D527,640 S 9/2006 Cummings
 D527,641 S 9/2006 Bakic
 D529,810 S 10/2006 Davies et al.
 D529,812 S 10/2006 Ratzlaff
 D532,309 S 11/2006 Stolle
 D538,665 S 3/2007 Wilson et al.
 D539,141 S 3/2007 Penfold et al.
 D539,144 S 3/2007 Penfold et al.
 D546,695 S 7/2007 Penfold et al.
 D552,995 S * 10/2007 Toh D9/530 X
 D554,515 S 11/2007 Toh
 D557,146 S 12/2007 Penfold et al.
 D564,882 S * 3/2008 Crawford et al. D9/516
 D569,736 S 5/2008 Oates et al.
 D573,477 S 7/2008 Caldwell
 D573,887 S 7/2008 Bouroullec et al.
 D576,492 S * 9/2008 Crawford et al. D9/516
 D579,328 S 10/2008 Ribadeneira Mejia et al.
 D584,148 S 1/2009 Stolle
 D584,159 S 1/2009 Domoy et al.
 D585,290 S 1/2009 Toh
 D585,739 S 2/2009 Dombrowski et al.
 D587,592 S 3/2009 Crawford
 D588,913 S 3/2009 Bakic
 D594,334 S * 6/2009 Casey et al. D9/563 X
 D594,747 S 6/2009 Moretti
 D597,847 S * 8/2009 Floyd et al. D9/543
 D605,510 S 12/2009 Weber
 D605,511 S 12/2009 Weber
 D605,512 S 12/2009 Weber
 D605,513 S 12/2009 Weber
 D605,514 S 12/2009 Weber
 D606,867 S 12/2009 Fugate et al.
 D608,196 S 1/2010 Beilke
 D608,197 S 1/2010 Gotsmich
 D608,639 S 1/2010 Jackel et al.
 D614,495 S * 4/2010 Toh et al. D9/516
 D614,959 S * 5/2010 Floyd et al. D9/516
 D614,960 S * 5/2010 Floyd et al. D9/516
 D615,412 S 5/2010 Thomas et al.
 D618,554 S 6/2010 Bruscha et al.

D629,298 S 12/2010 Wong
 D635,024 S 3/2011 Stolle
 D635,025 S 3/2011 Stolle
 D635,026 S 3/2011 Stolle
 D641,627 S 7/2011 Rosenauer
 D648,626 S 11/2011 Oates et al.
 D650,675 S * 12/2011 Schwartz et al. D9/516
 D650,676 S * 12/2011 Schwartz et al. D9/516
 D651,092 S 12/2011 Bowers et al.
 D657,678 S * 4/2012 Heidel et al. D9/516
 D660,167 S 5/2012 Weaver et al.
 D662,828 S 7/2012 Jackson et al.
 D665,261 S 8/2012 Mazurkiewicz et al.
 D666,095 S 8/2012 Blachford et al.
 D666,104 S 8/2012 Cummings et al.
 D666,105 S * 8/2012 Cummings et al. D9/565 X
 D666,107 S 8/2012 Blachford et al.
 D675,926 S * 2/2013 Tovar D9/575 X
 D675,927 S * 2/2013 Tovar D9/540 X
 D676,754 S * 2/2013 Cummings et al. D9/543
 D676,755 S * 2/2013 Hein D9/575 X
 D683,229 S * 5/2013 Crawford et al. D9/565
 D683,230 S * 5/2013 Crawford D9/565
 D683,237 S * 5/2013 Crawford D9/682
 D683,631 S * 6/2013 Crawford D9/682
 D684,064 S * 6/2013 Crawford et al. D9/575 X

FOREIGN PATENT DOCUMENTS

AU 148421 7/2002
 AU 148422 7/2002
 AU 148967 8/2002
 AU 157721 3/2005
 AU 317525 1/2008
 AU 317529 1/2008
 AU 318358 3/2008
 AU 329204 1/2010
 AU 333674 11/2010
 BR DI5500237-4 6/1997
 BR DI5500411-3 6/1999
 BR DI6500233-4 F 7/2005
 BR DI6703669-4 F 4/2008
 CA ID93401 9/2001
 CA ID94298 12/2001
 CA ID101916 12/2003
 CA ID103089 1/2006
 CA ID109736 7/2006
 EM 000048475-0001 6/2003
 EM 000112586-0001 12/2003
 EM 000145446-0005 3/2004
 EM 000145446-0014 3/2004
 EM 000145446-0015 3/2004
 EM 000226774-0001 9/2004
 EM 000294038-0002 2/2005
 EM 000354766-0001 6/2005
 EM 000494059-0002 3/2006
 EM 000514716-0001 4/2006
 EM 000514716-0002 4/2006
 EM 000514716-0003 4/2006
 EM 000530845-0002 5/2006
 EM 000546452-0001 6/2006
 EM 000546452-0003 6/2006
 EM 000623731-0002 11/2006
 EM 000663844-0001 2/2007
 EM 000780416-0011 8/2007
 EM 000780416-0012 8/2007
 EM 000780416-0013 8/2007
 EM 000824925-0001 11/2007
 EM 000824925-0009 11/2007
 EM 001031017-0001 10/2008
 EM 001139281-0001 5/2009
 EM 001608860-0001 9/2009
 EM 001609165-0001 9/2009
 EM 001181440-0006 11/2009
 EM 001207971-0001 4/2010
 EM 001850405-0001 4/2011
 EM 001896739-0001 7/2011
 EM 001896739-0005 7/2011
 KR 300433701.0000 12/2006

(56)

References Cited

FOREIGN PATENT DOCUMENTS

KR	300534910.0000	7/2009
KR	300643859.0000	5/2012
RU	50313	5/2002
RU	53318	10/2003
RU	54584	6/2004
RU	55622	11/2004
RU	56617	4/2005
RU	56618	4/2005
RU	57358	8/2005
RU	57360	8/2005
RU	57587	9/2005
RU	65541	2/2008
RU	69852	4/2009

RU	69858	4/2009
RU	78087	4/2011
RU	79255	8/2011
TR	9483	9/2000
TR	200300267	2/2003
TR	200303620	11/2003
TR	200503087	8/2005
TR	200604584	10/2006
TR	200605507	12/2006
TR	200802307	4/2008
TR	200804579	8/2008
TR	200806202	12/2008
TR	200900444	2/2009
TR	201000712	2/2010
TR	201003002	5/2010

* cited by examiner

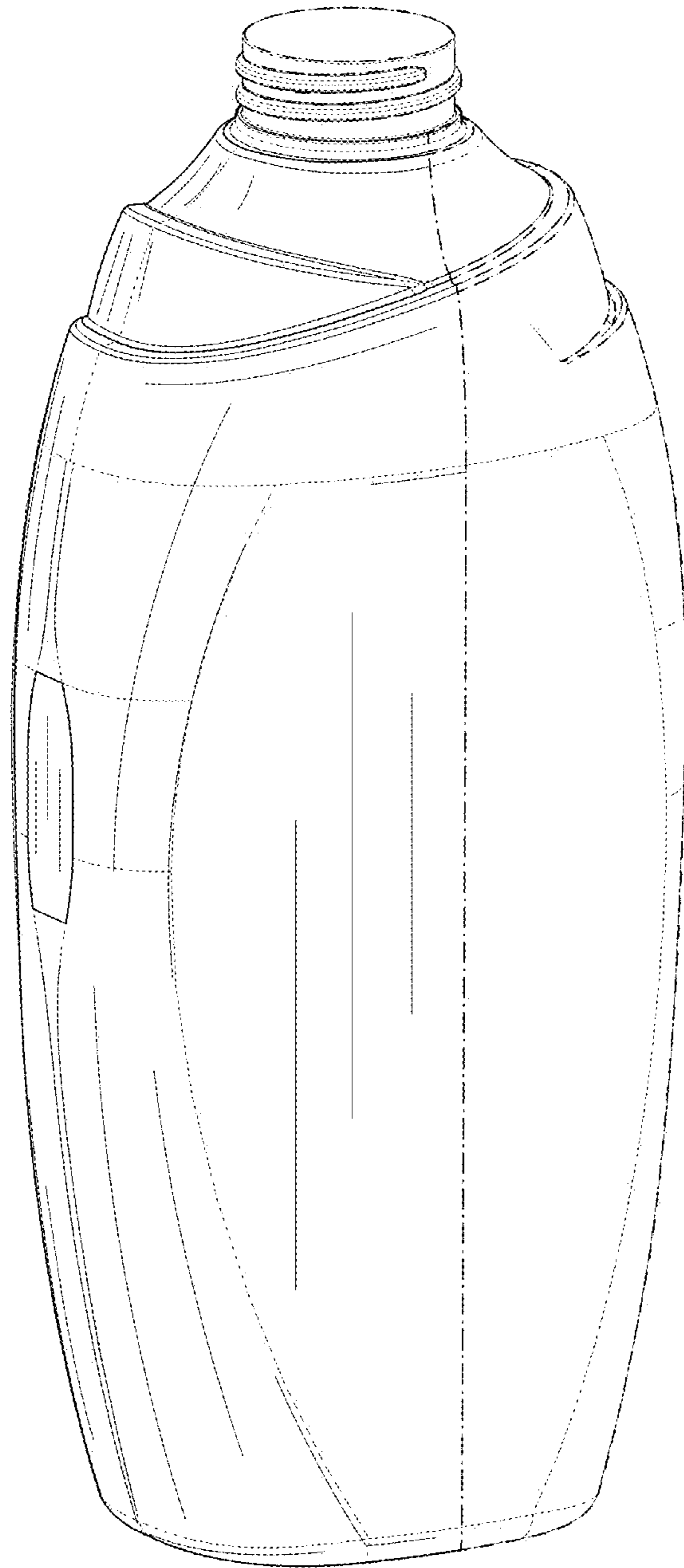


FIG. 1

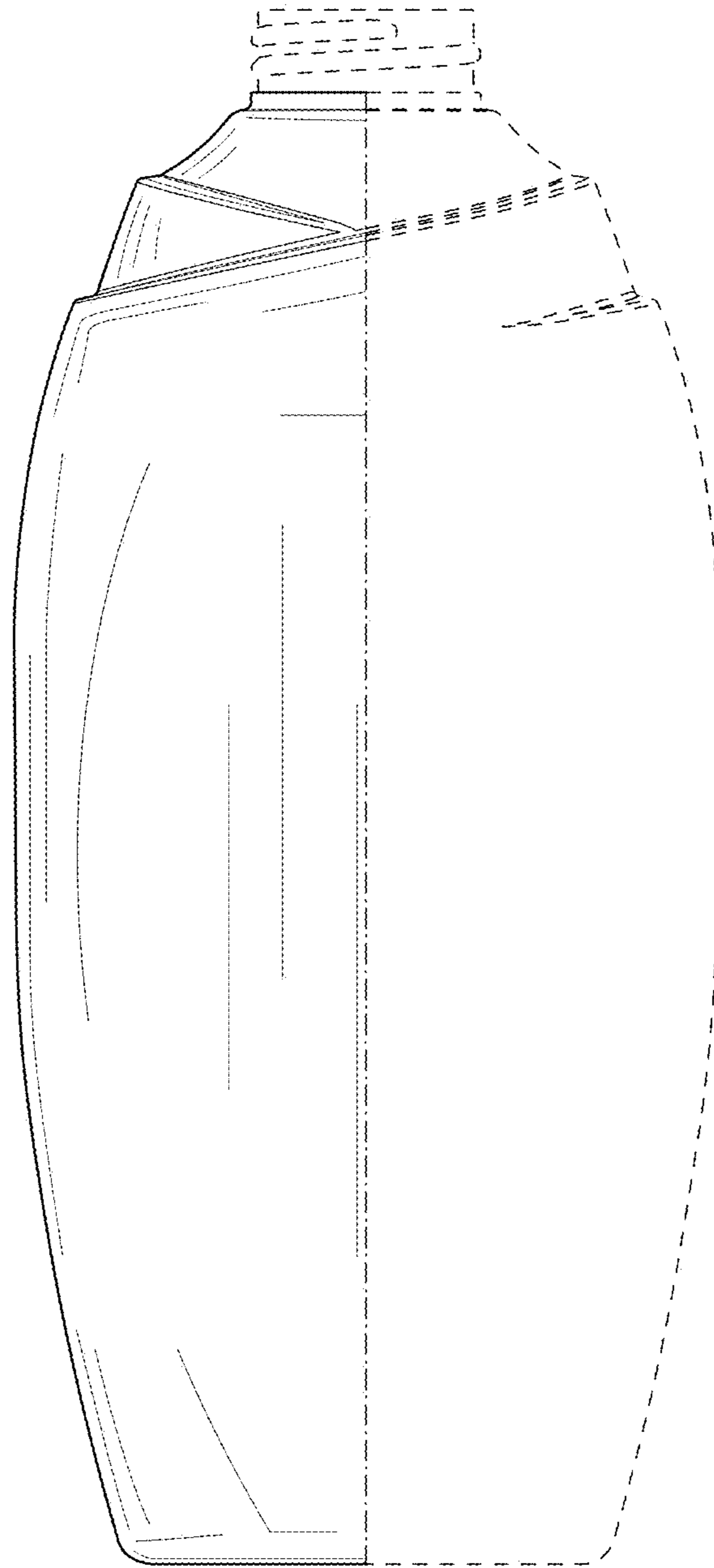


FIG. 2

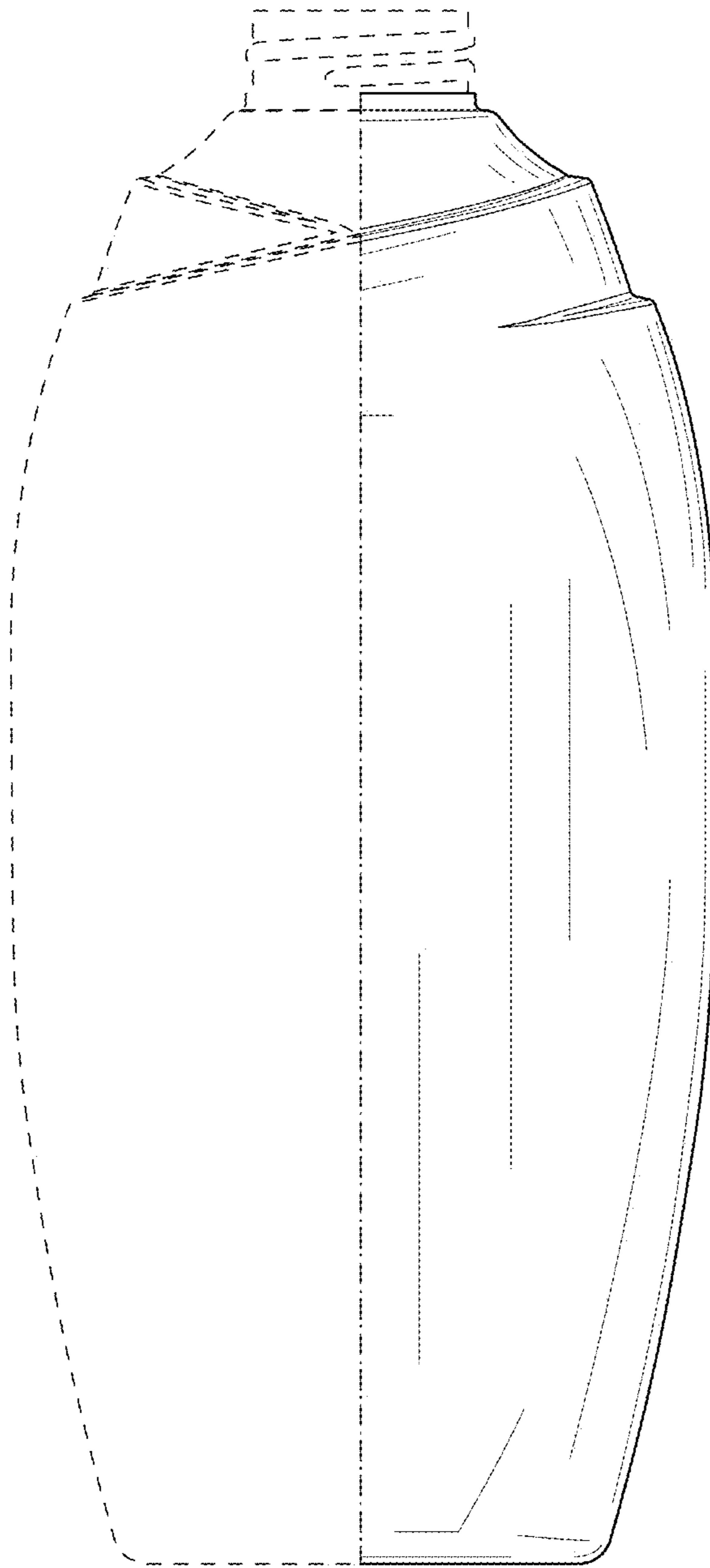


FIG. 3

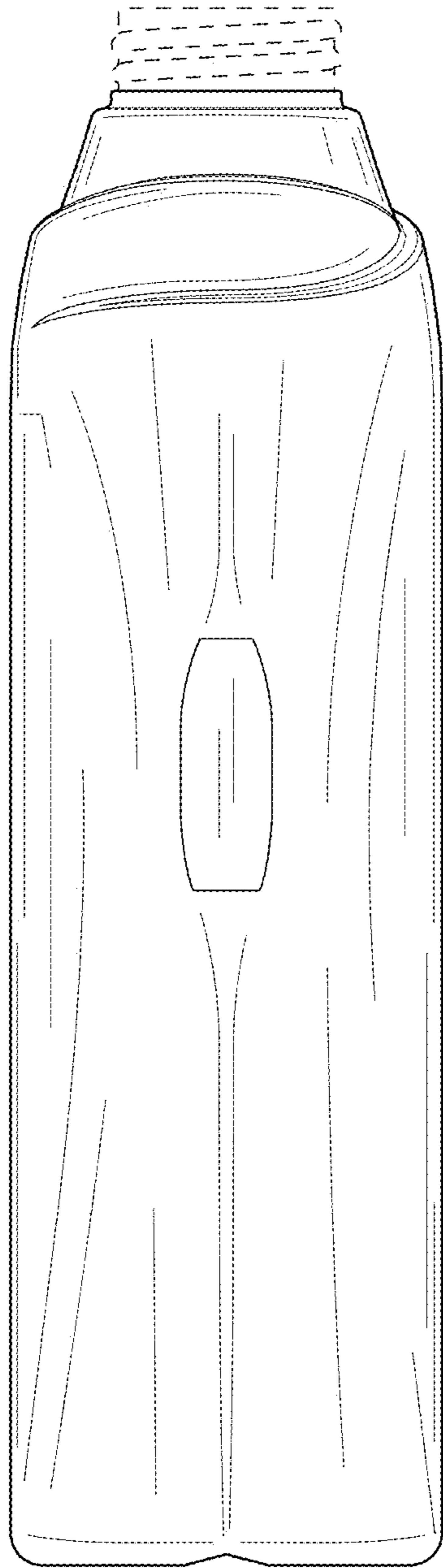


FIG. 4

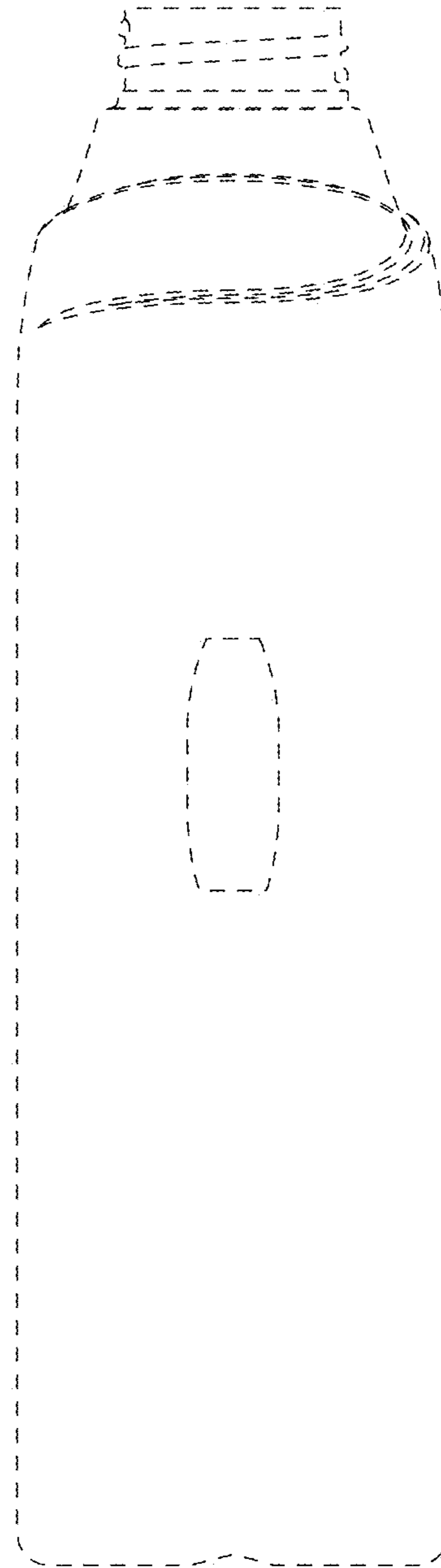


FIG. 5

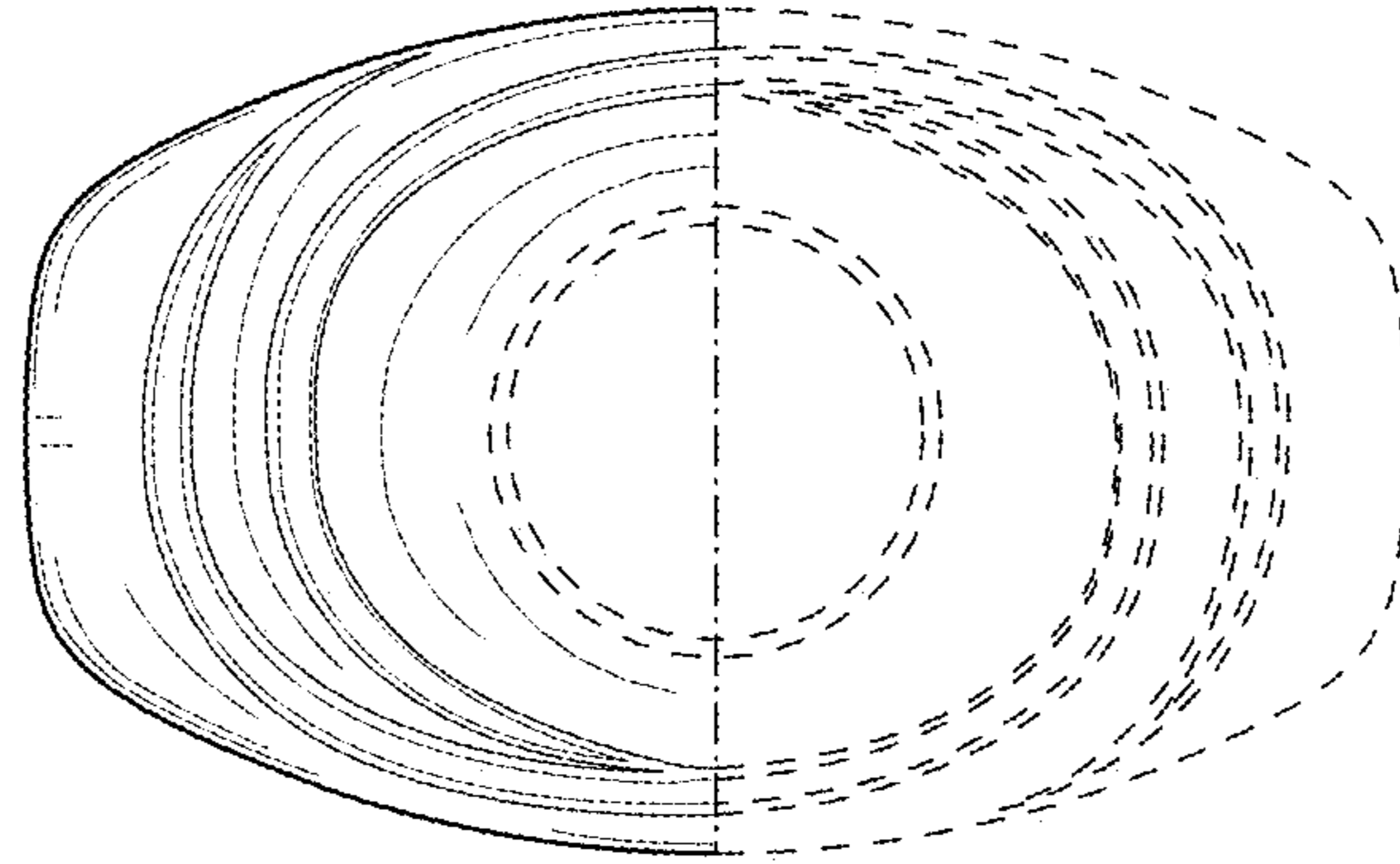


FIG. 6

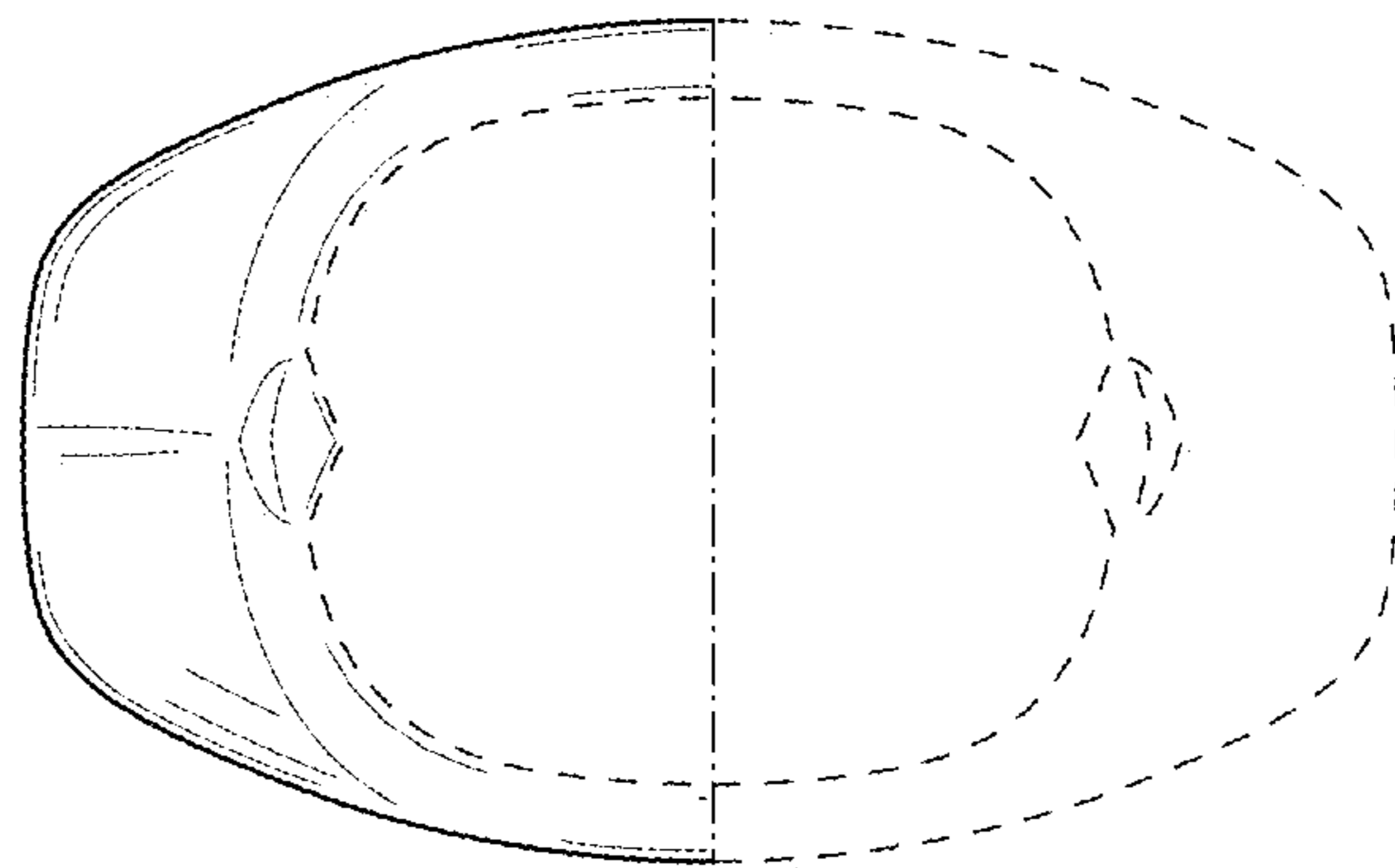


FIG. 7

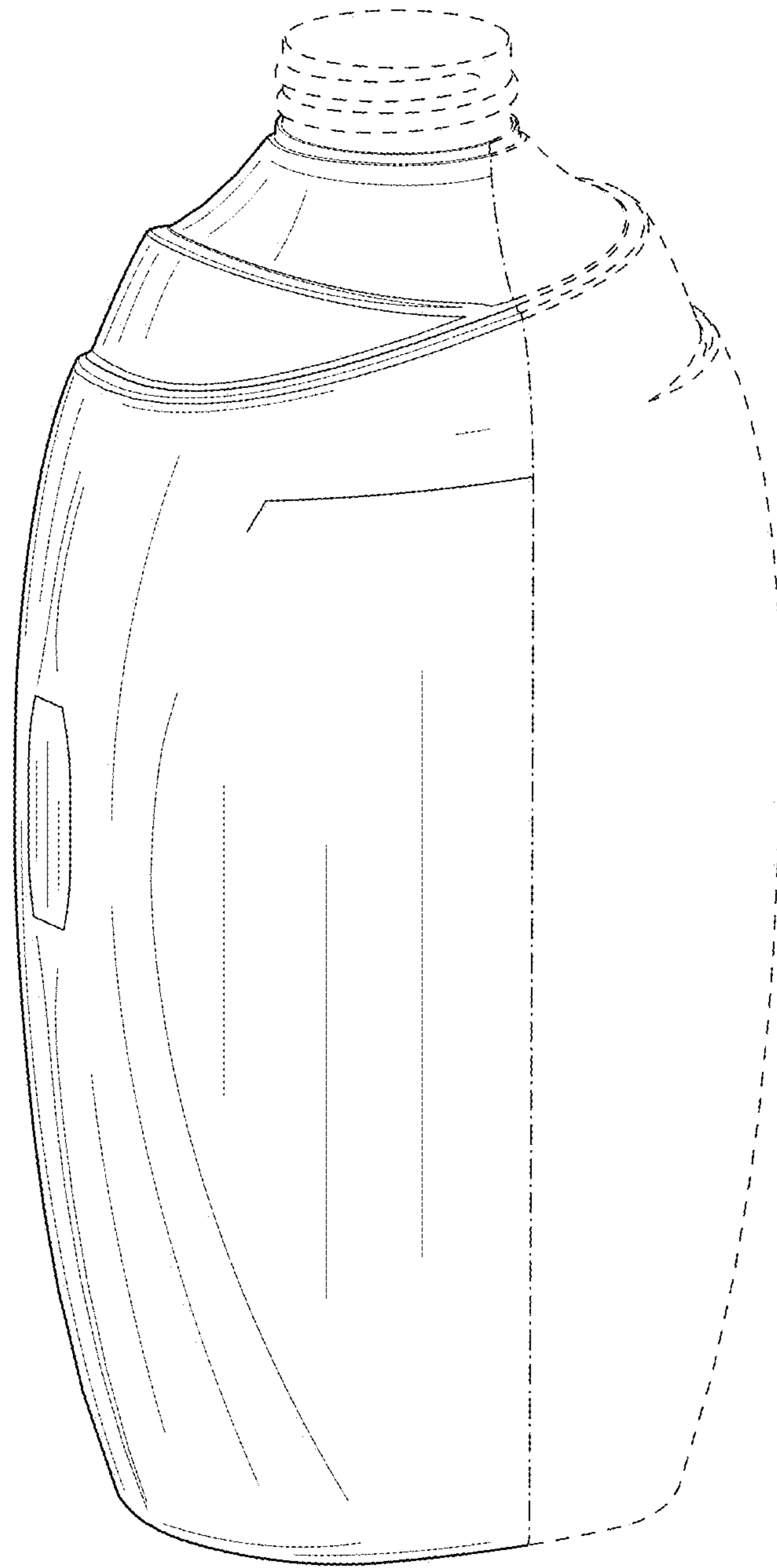


FIG. 8

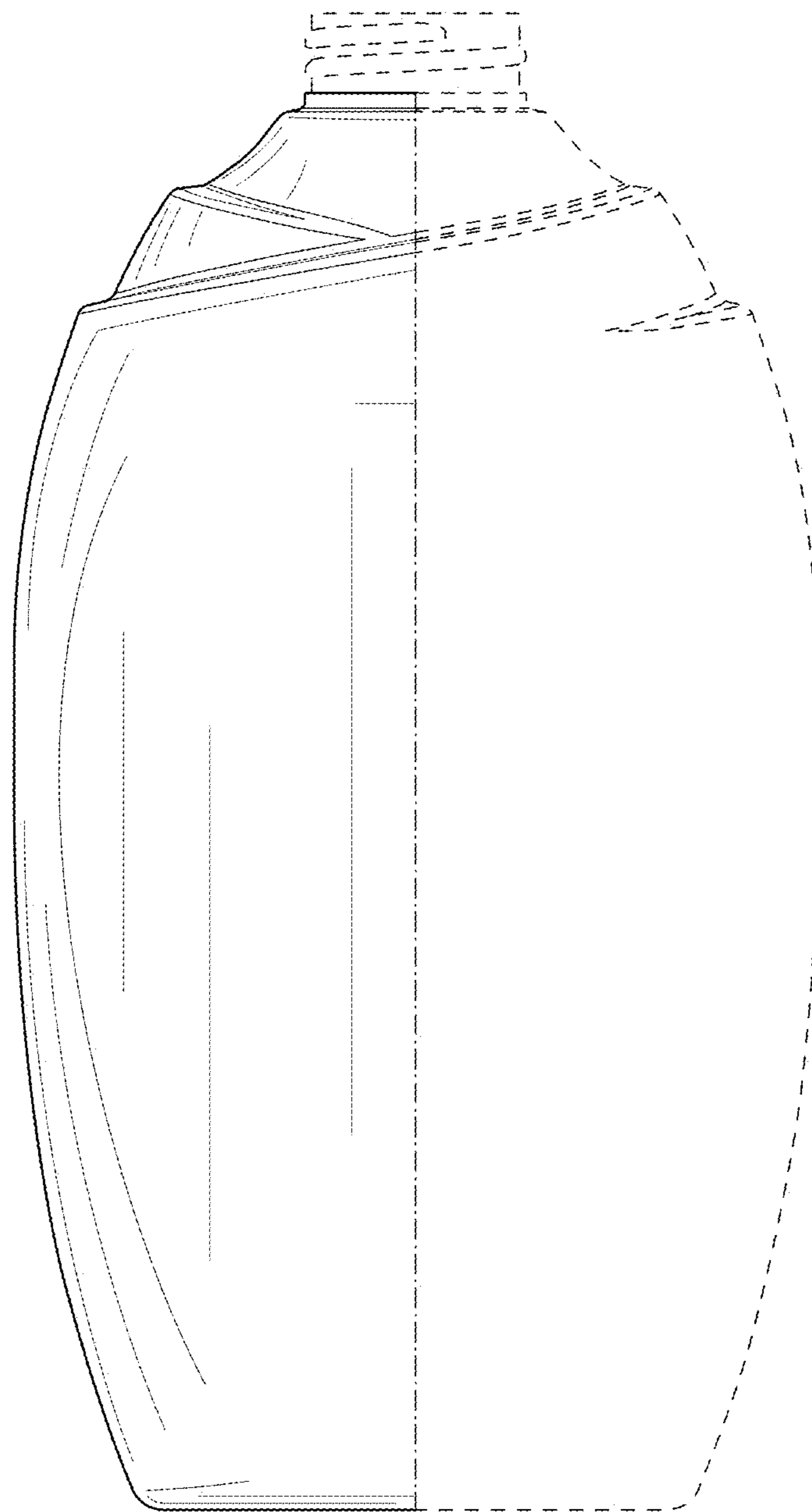


FIG. 9

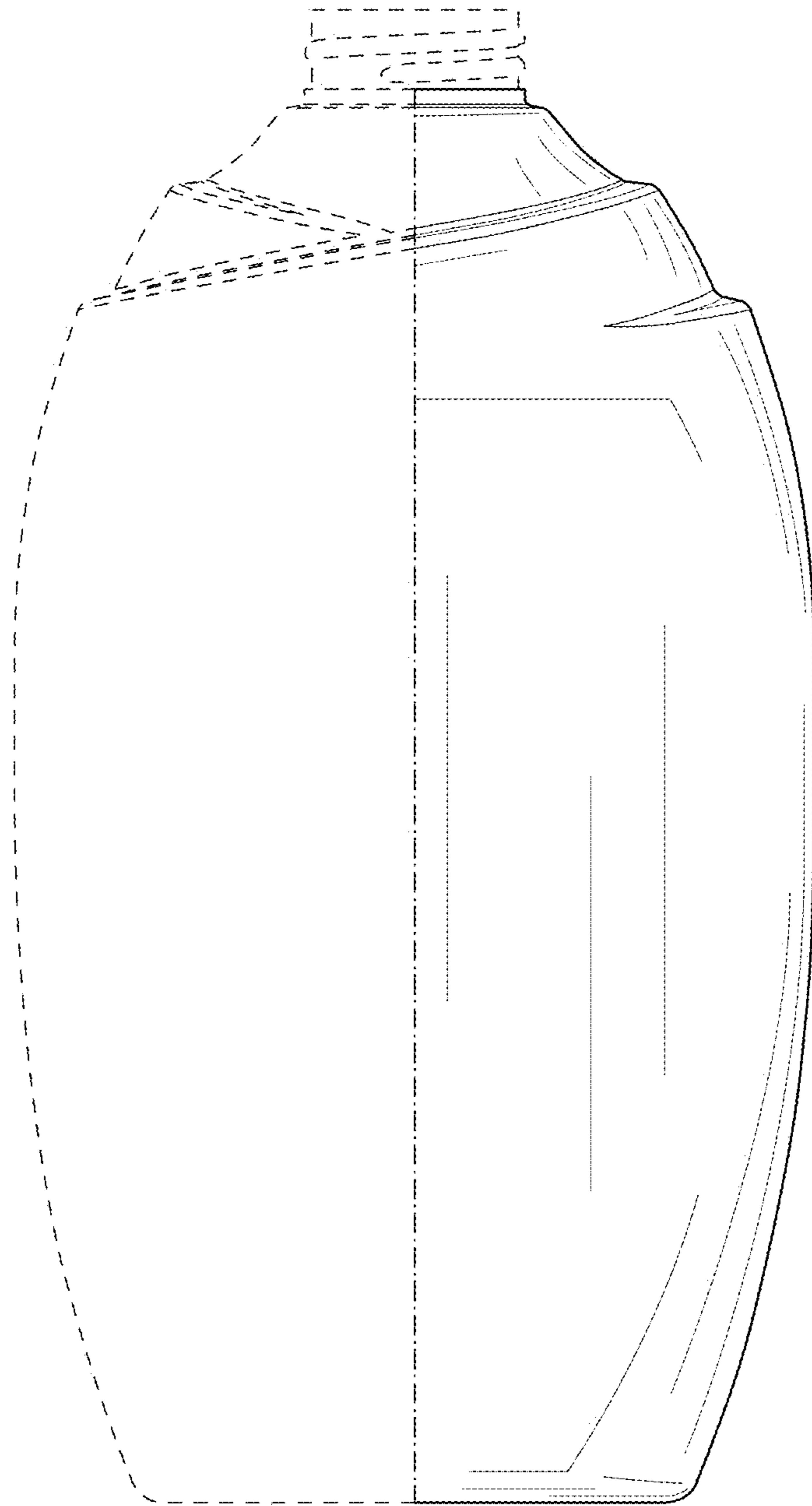


FIG. 10

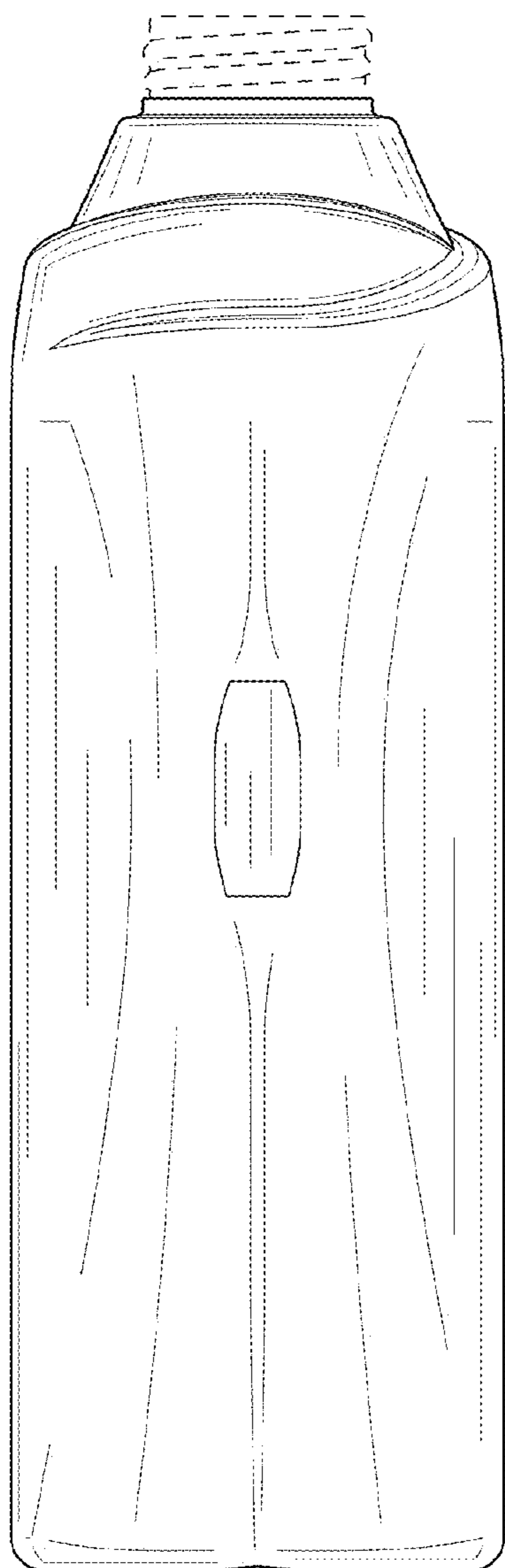


FIG. 11

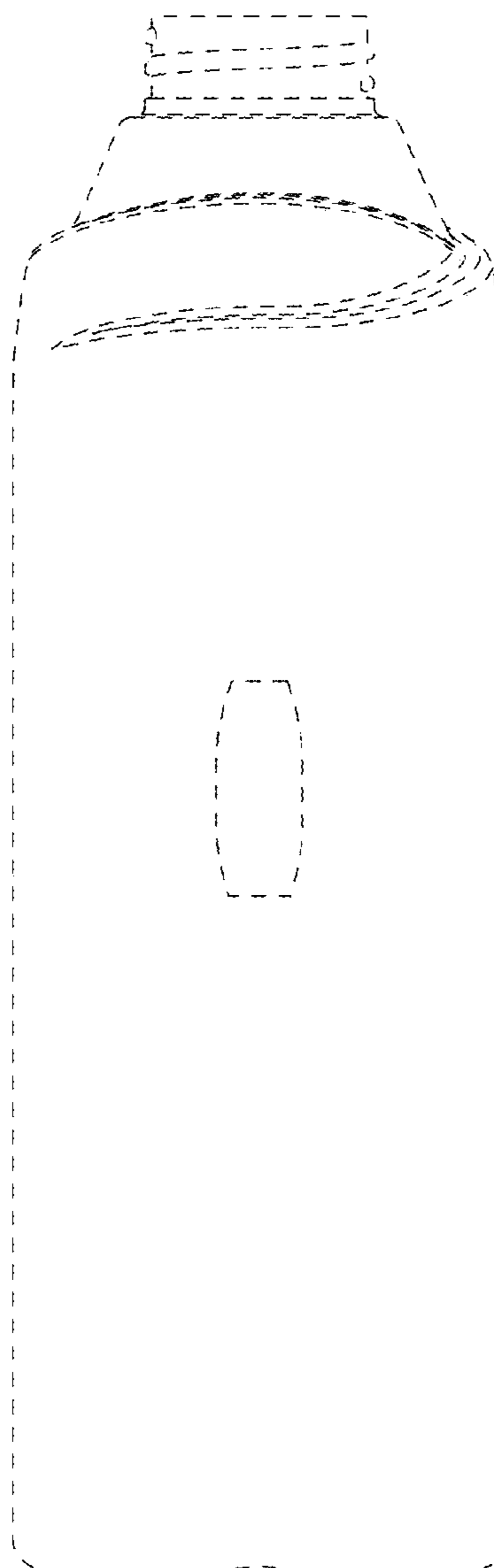


FIG. 12

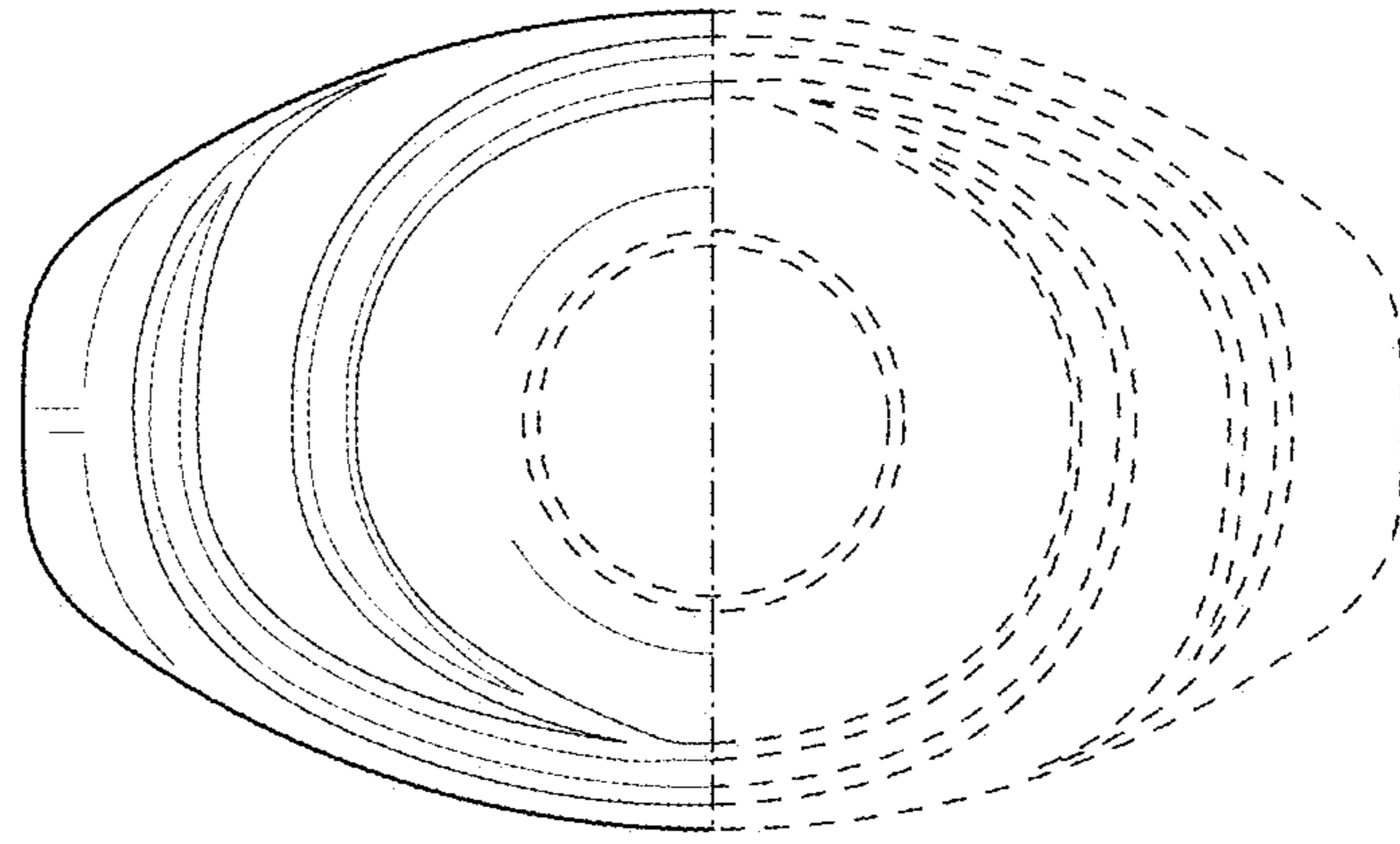


FIG. 13

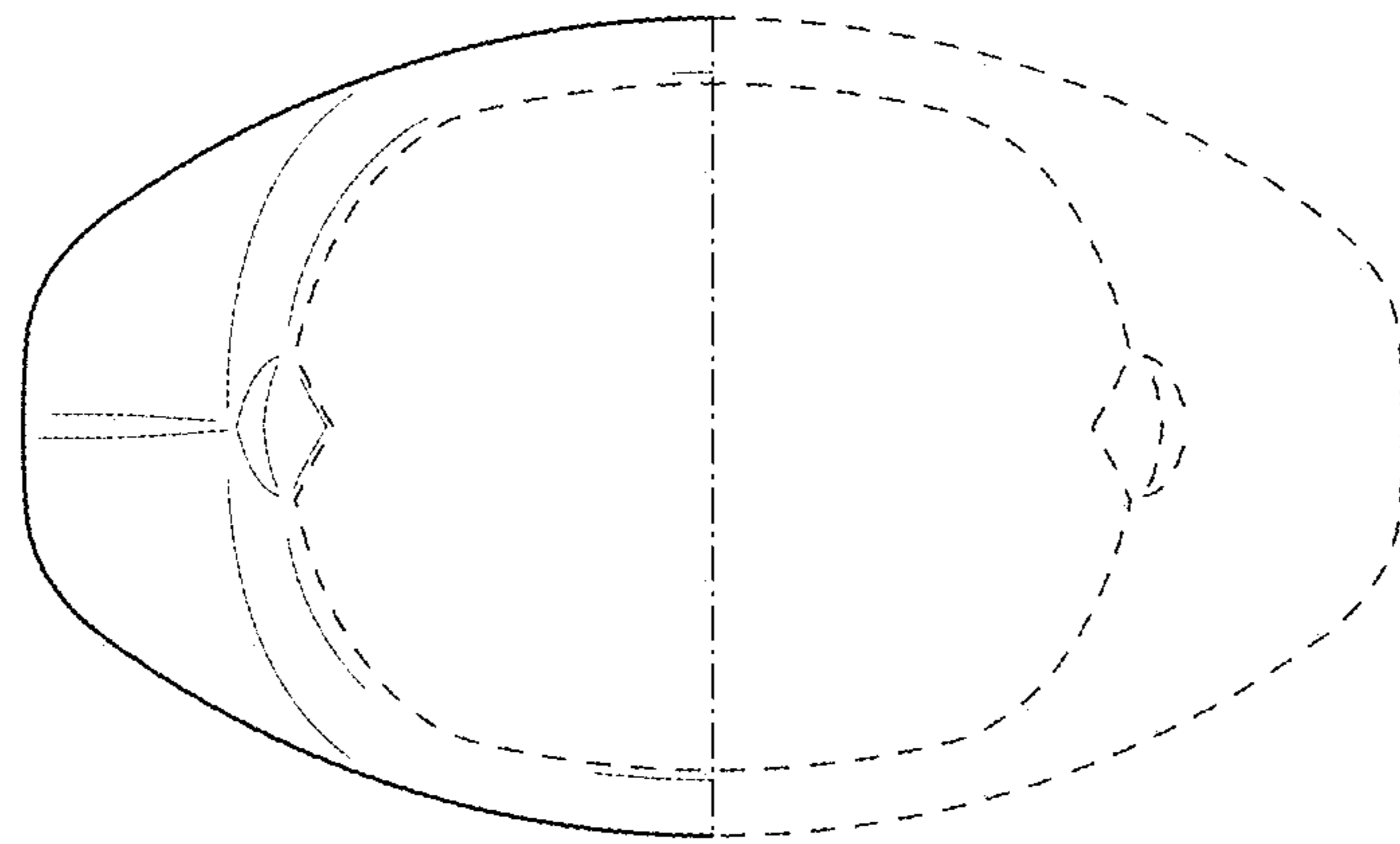


FIG. 14