



US00D694627S

(12) **United States Design Patent**  
**Sultan**

(10) **Patent No.:** **US D694,627 S**

(45) **Date of Patent:** **\*\* Dec. 3, 2013**

(54) **BOTTLE**

(76) Inventor: **Tim Sultan**, Fort Collins, CO (US)

(\*\*) Term: **14 Years**

(21) Appl. No.: **29/426,294**

(22) Filed: **Jul. 3, 2012**

(51) **LOC (9) Cl.** ..... **09-01**

(52) **U.S. Cl.**  
USPC ..... **D9/500; D9/539; D9/550; D9/558**

(58) **Field of Classification Search**  
USPC ..... **D9/500, 502-505, 516, 537, 539, 549,**  
**D9/550, 558, 529; 215/379, 381-384;**  
**220/660, 669-673, 675**

See application file for complete search history.

(56) **References Cited**

**U.S. PATENT DOCUMENTS**

D248,835 S *	8/1978	Korsmeyer	.....	D9/500
D255,544 S *	6/1980	Humphries	.....	D9/764
D268,395 S *	3/1983	Humphries	.....	D9/503
D292,375 S *	10/1987	Jacobs et al.	.....	D9/500
D326,811 S *	6/1992	Messer	.....	D9/500

D433,632 S *	11/2000	Bender	.....	D9/739
D553,254 S *	10/2007	Colin et al.	.....	D24/224
D635,857 S *	4/2011	Lauret	.....	D9/500
D683,627 S *	6/2013	Rodriguez	.....	D9/500

\* cited by examiner

*Primary Examiner* — Terry Wallace

*Assistant Examiner* — Dana L Meyrow

(74) *Attorney, Agent, or Firm* — Hoffmann & Baron, LLP

(57) **CLAIM**

The ornamental design for a bottle, as shown and described.

**DESCRIPTION**

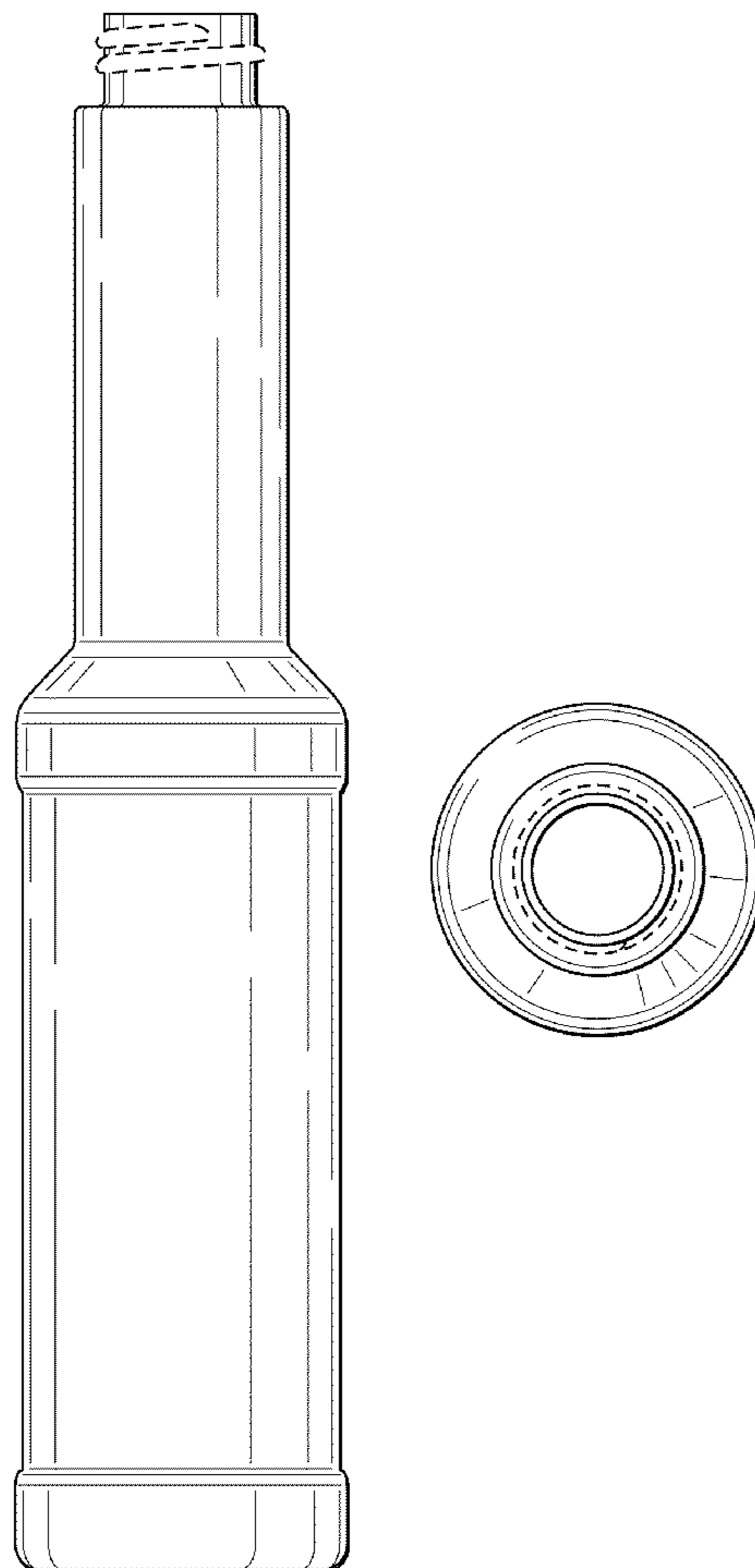
FIG. 1 is a front perspective view of a bottle constructed in accordance with the invention;

FIG. 2 is a front elevational view of the bottle shown in FIG. 1, the rear and all side elevational views being identical to the front view shown in FIG. 2;

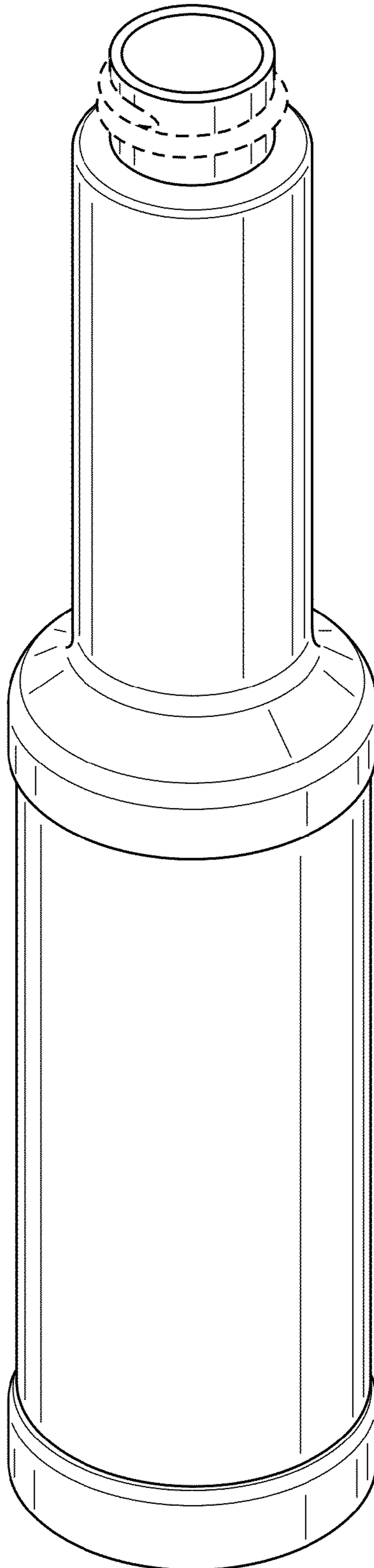
FIG. 3 is a top plan view of the bottle shown in FIG. 1; and, FIG. 4 is a bottom plan view of the bottle shown in FIG. 1.

The broken lines shown in the drawings represent unclaimed environment and are for illustrative purposes only, forming no part of the claimed design.

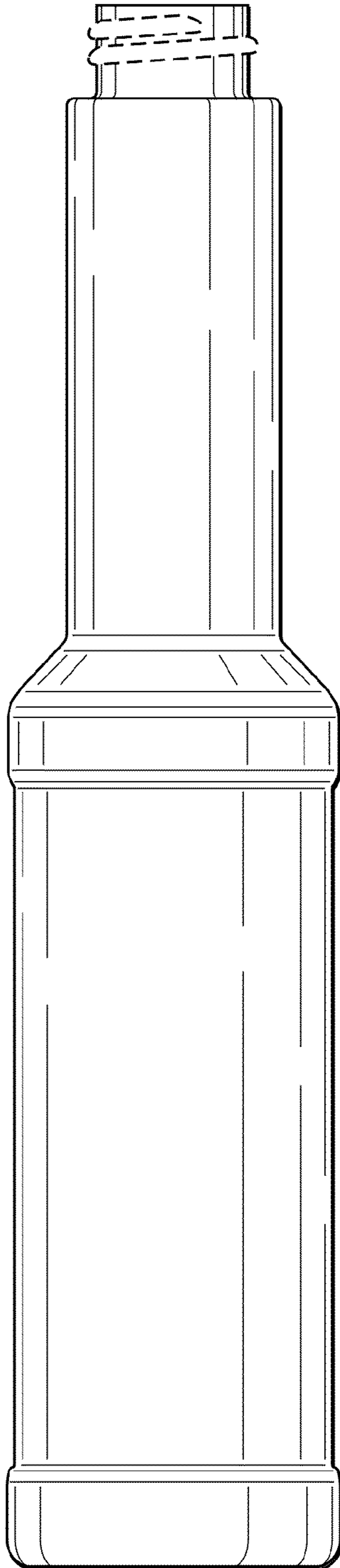
**1 Claim, 3 Drawing Sheets**



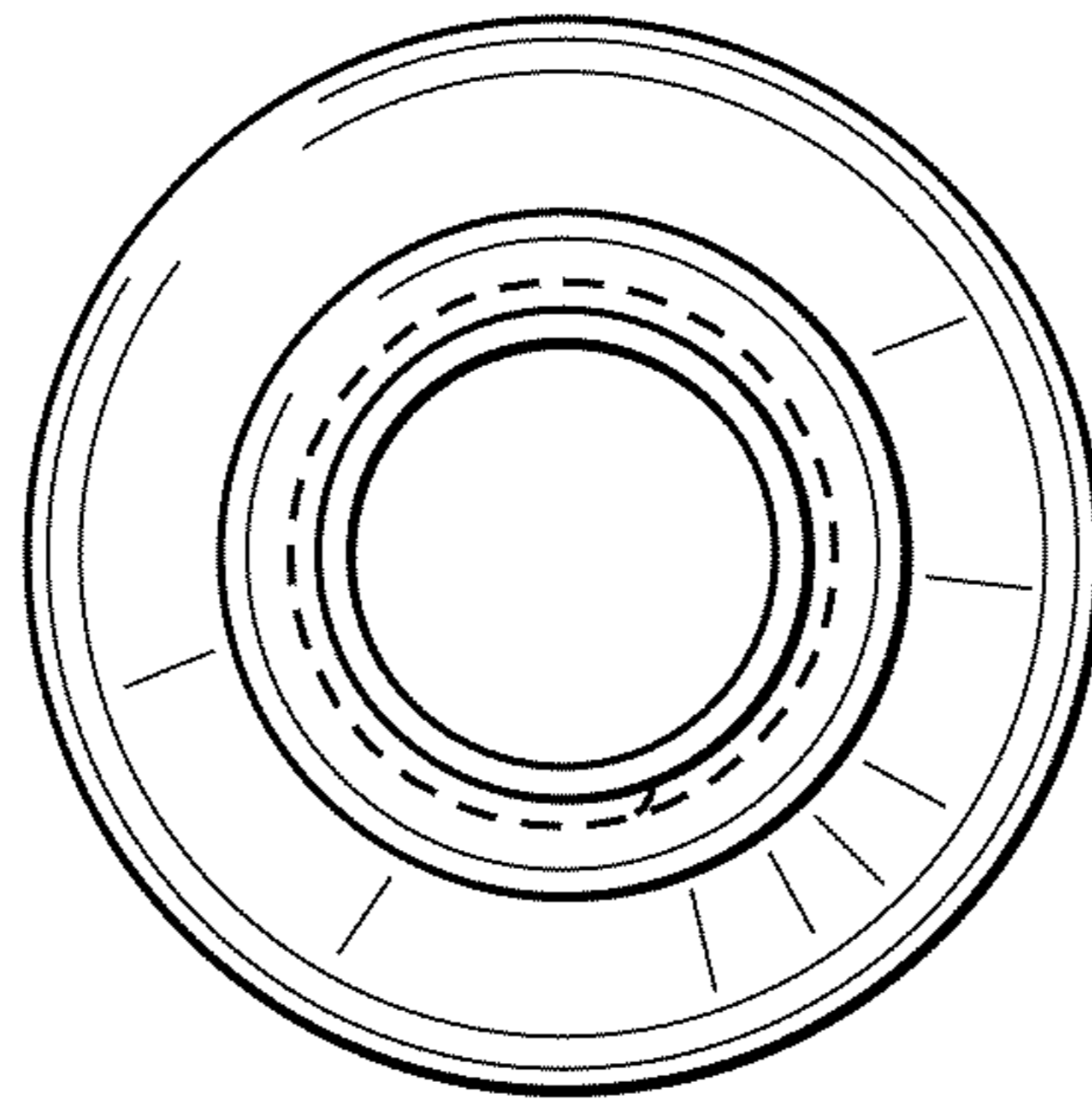
***Fig. 1***



***Fig. 2***



***Fig. 3***



***Fig. 4***

