



US00D694625S

(12) **United States Design Patent**
Maxwell

(10) **Patent No.:** **US D694,625 S**
(45) **Date of Patent:** **** Dec. 3, 2013**

(54) **TOP FOR A BOTTLE**

(75) Inventor: **Charles P. Maxwell**, Mequon, WI (US)

(73) Assignee: **Tablecraft Products Company**, Gurnee, IL (US)

(**) Term: **14 Years**

(21) Appl. No.: **29/429,786**

(22) Filed: **Aug. 16, 2012**

D20,059 S	7/1890	Irwin	
433,840 A	8/1890	Whitaker	
D28,980 S *	7/1898	Sharps	D9/454
D30,764 S *	5/1899	Ross	D9/454
D30,780 S	5/1899	Burdick	
641,391 A	1/1900	Hutchison	
D34,168 S *	3/1901	Gilchrist	D9/454
674,530 A	5/1901	Wilcox	
814,503 A	3/1906	Anderson et al.	
1,188,132 A	6/1916	Anderson	
1,427,694 A	8/1922	Montgomery	
1,553,705 A	9/1925	Maxedon	
1,620,997 A	3/1927	Chase	

(Continued)

Related U.S. Application Data

(62) Division of application No. 29/393,793, filed on Jun. 9, 2011, now Pat. No. Des. 668,953, which is a division of application No. 29/377,340, filed on Oct. 20, 2010, now Pat. No. Des. 642,468, which is a division of application No. 29/342,608, filed on Aug. 28, 2009, now Pat. No. Des. 630,094.

(51) **LOC (9) Cl.** **09-07**

(52) **U.S. Cl.**
USPC **D9/454**

(58) **Field of Classification Search**
USPC D9/434-435, 446-447, 449-450, 454, D9/500, 502-505, 516, 526, 537-540, D9/545-546, 549-550, 557-558, 574-575, D9/682, 686, 688-692, 738, 741, 763-764, D9/772-773, 776-777, 905; D7/300, D7/300.1, 510, 512, 589, 591, 596, 598, D7/601, 605, 608; 215/379, 381-384; 220/660, 662, 669-673, 675
See application file for complete search history.

(56) **References Cited**

U.S. PATENT DOCUMENTS

115,754 A	6/1871	Mason
129,820 A	7/1872	Hathway
D17,640 S	8/1887	Warner

OTHER PUBLICATIONS

Image from Jan. 1, 2007 Tablecraft Products Company catalog.

Primary Examiner — Ian Simmons

Assistant Examiner — Dana L Meyrow

(74) *Attorney, Agent, or Firm* — Pearne & Gordon LLP

(57) **CLAIM**

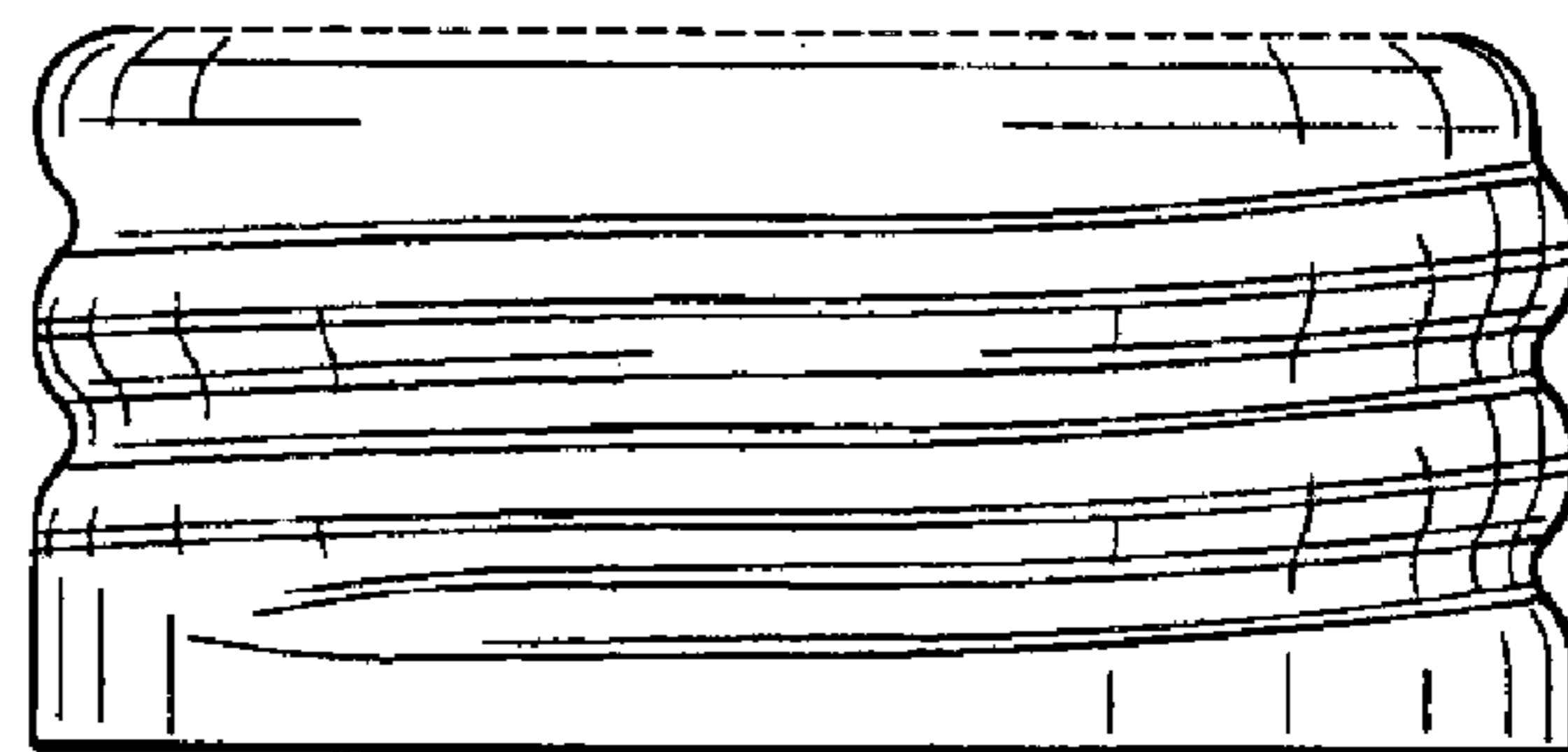
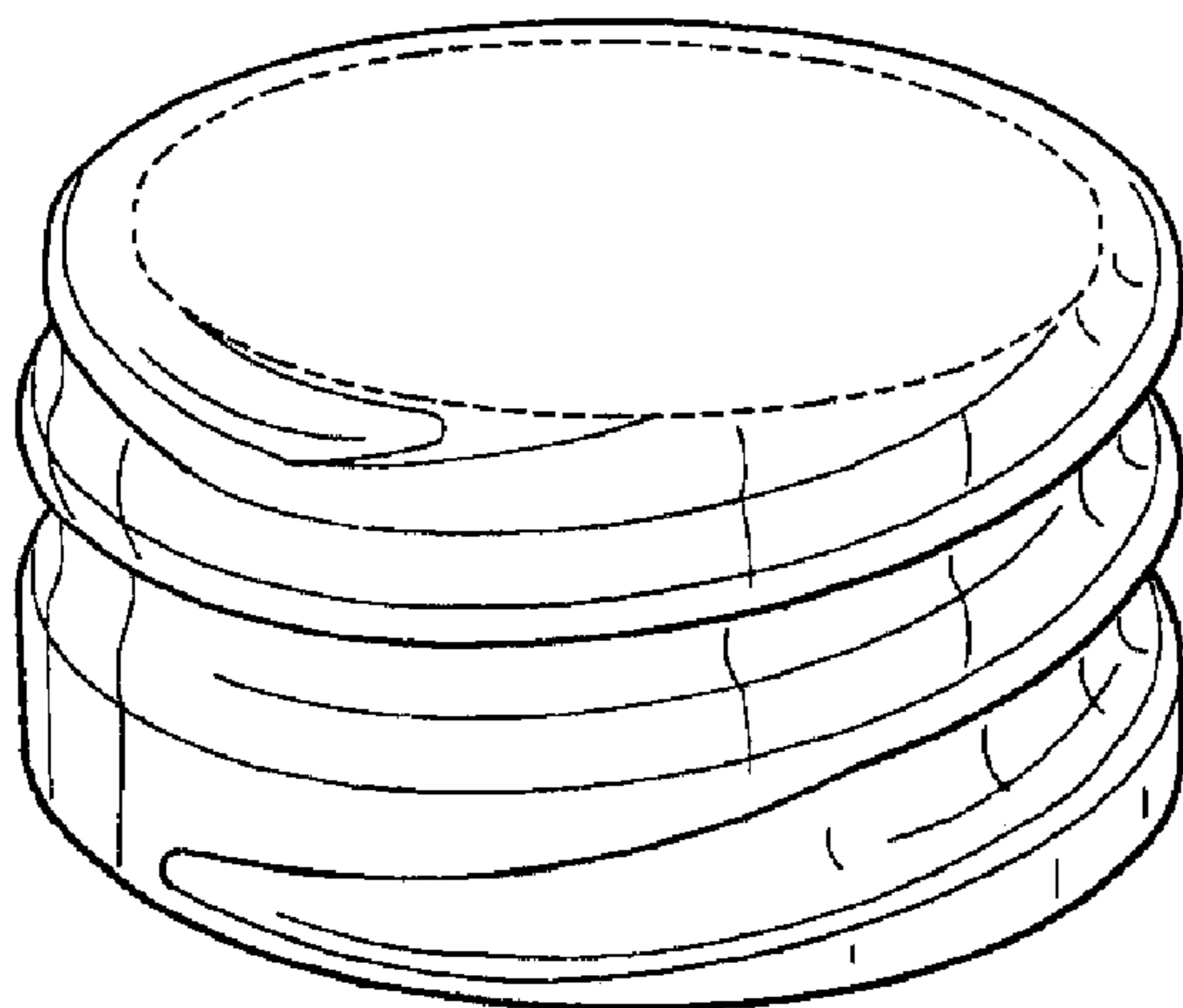
The ornamental design for a top for a bottle, as shown and described.

DESCRIPTION

FIG. 1 is an isometric view of a top for a bottle showing my new design;
FIG. 2 is a right side elevational view thereof;
FIG. 3 is a top plan view thereof;
FIG. 4 is a rear side elevational view thereof;
FIG. 5 is a front side elevational view thereof;
FIG. 6 is left side elevational view thereof;
FIG. 7 is a bottom plan view thereof; and,
FIG. 8 is a cross-sectional view thereof taken in the plane 8-8 indicated in FIG. 3.

The dotted-line disclosure of elements in the views is for illustrative purposes only and forms no part of the claimed design.

1 Claim, 1 Drawing Sheet



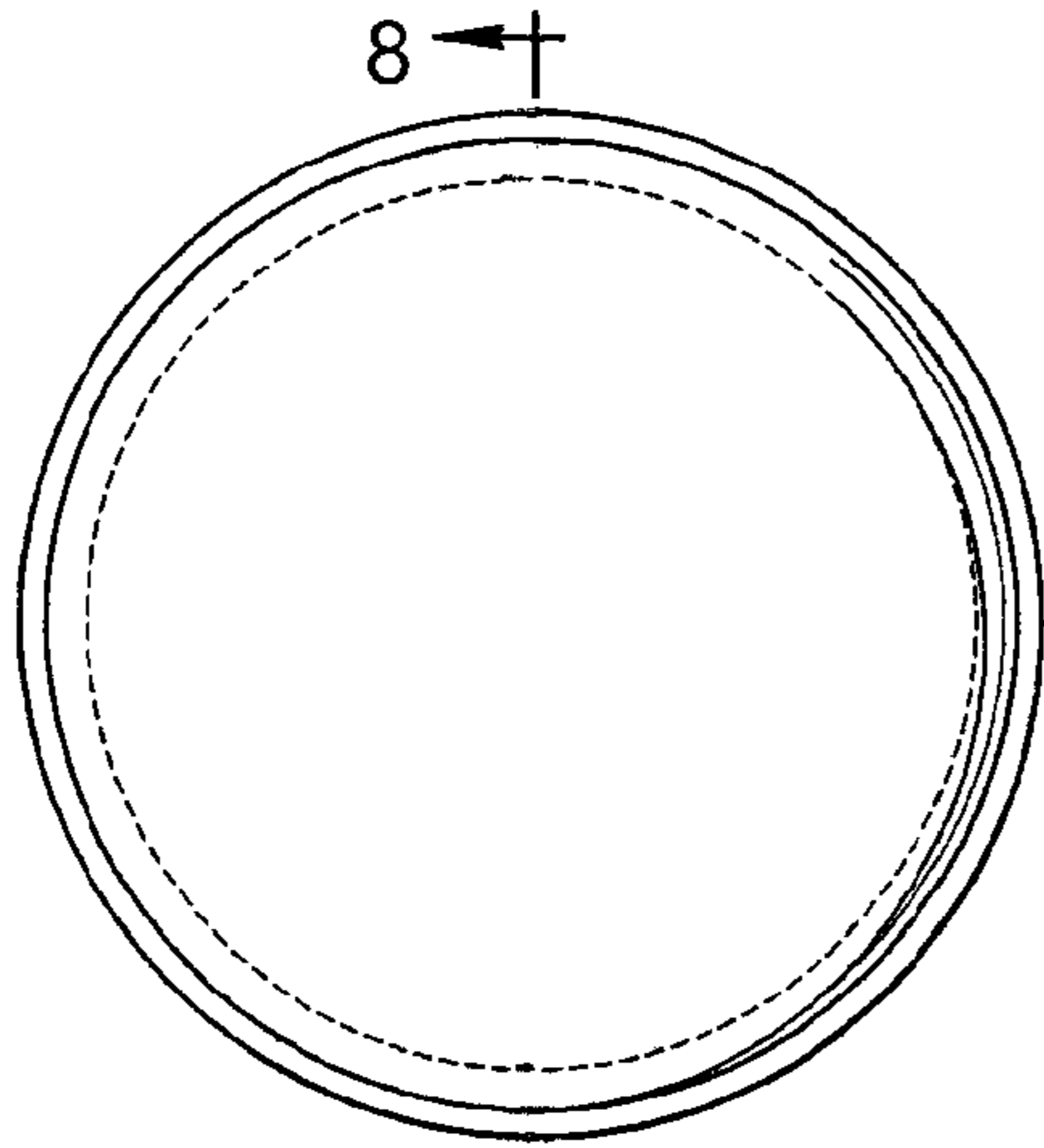
(56)

References Cited

U.S. PATENT DOCUMENTS

2,008,593 A	7/1935	Pederson	D298,015 S	10/1988	Gendron	
D143,289 S	12/1945	Elsas	4,807,770 A	2/1989	Barriac	
2,439,429 A	4/1948	Hofmann	4,832,214 A	5/1989	Schrader et al.	
2,449,014 A	9/1948	Shaffer	D310,172 S	8/1990	Parker	
3,032,225 A	5/1962	Harding	4,955,493 A	9/1990	Touzani	
3,071,281 A	1/1963	Shinichi	5,078,290 A	1/1992	Ochs	
3,189,209 A	6/1965	Owens	D324,173 S	2/1992	Lynd	
3,351,415 A	11/1967	Hoffman	D329,379 S	9/1992	Jorgensen et al.	
D209,871 S	1/1968	Grebow	D359,236 S	6/1995	Spafford et al.	
D216,386 S	12/1969	Suggs	D367,611 S	3/1996	Wagner et al.	
3,489,307 A	1/1970	Wenger	5,499,729 A	3/1996	Greenwood	
3,780,898 A	12/1973	Menkel	5,605,254 A	2/1997	Wagner et al.	
4,007,851 A	2/1977	Walker	D396,007 S	7/1998	Palestrant	
4,148,417 A	4/1979	Simmons	D399,423 S	10/1998	Palestrant	
4,241,839 A	12/1980	Alberghini	D407,632 S	4/1999	Kunesh	
D264,938 S	6/1982	Stock	D435,194 S	12/2000	Betras	
4,452,381 A	6/1984	Freeman	D521,863 S	5/2006	Davis et al.	
D274,696 S	7/1984	Marsden	D522,359 S	6/2006	Van Diepen et al.	
D274,791 S	7/1984	Freeman	D548,595 S	8/2007	Marasligiller et al.	
D274,793 S	7/1984	Freeman	7,370,770 B2	5/2008	Chomik	
4,600,111 A	7/1986	Brown	D573,880 S	7/2008	Clause et al.	
4,685,577 A	8/1987	Chen	D574,237 S	8/2008	Yates, III	
4,702,384 A	10/1987	Weiser	D590,255 S	4/2009	Maxwell	
4,752,015 A	6/1988	Schumacher	D598,749 S	8/2009	Maxwell	
			D630,094 S	1/2011	Maxwell	
			D668,953 S *	10/2012	Maxwell	D9/447
			2005/0098527 A1	5/2005	Yates, III	

* cited by examiner



8 ←
8 ←
FIG. 3

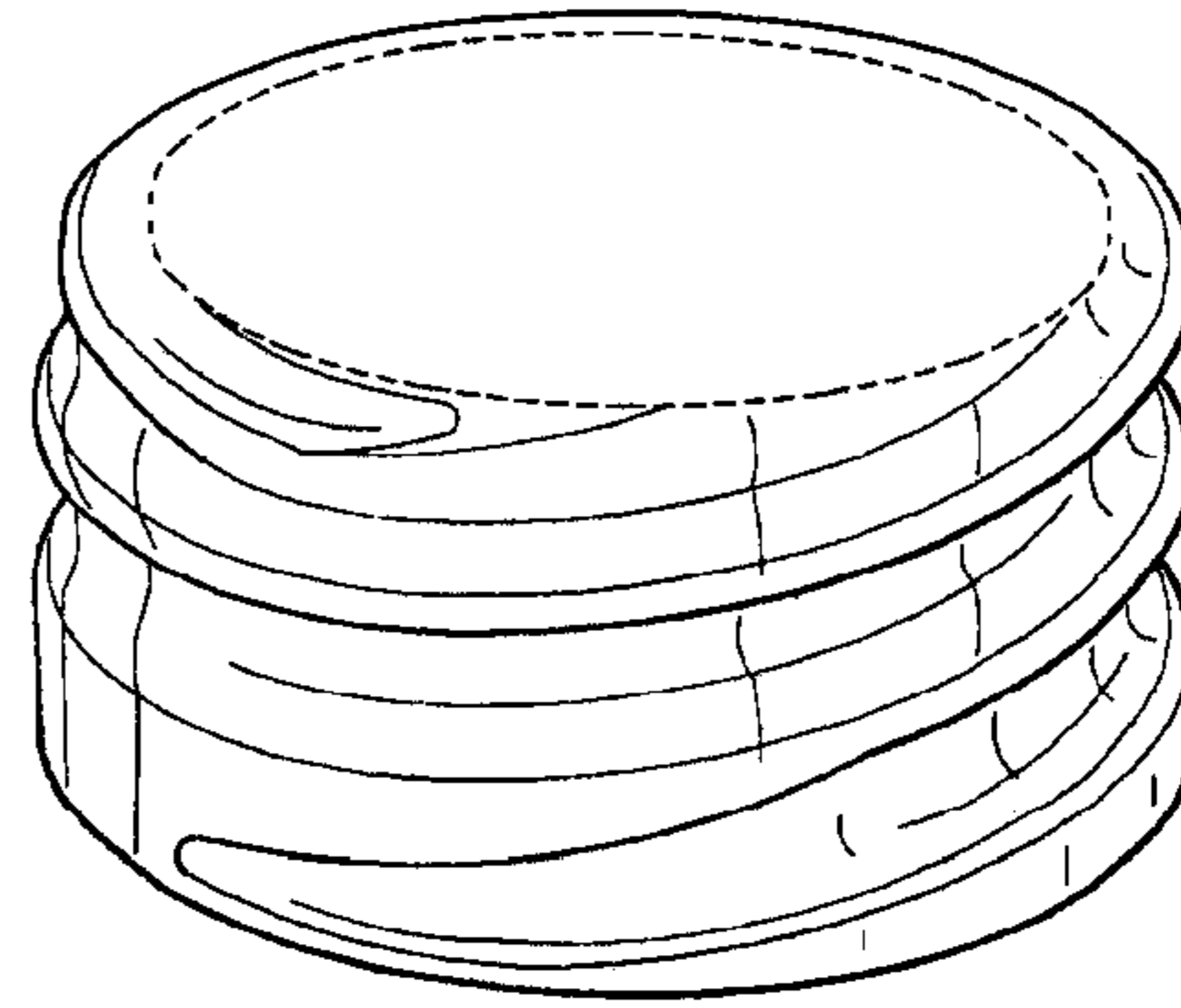


FIG. 1

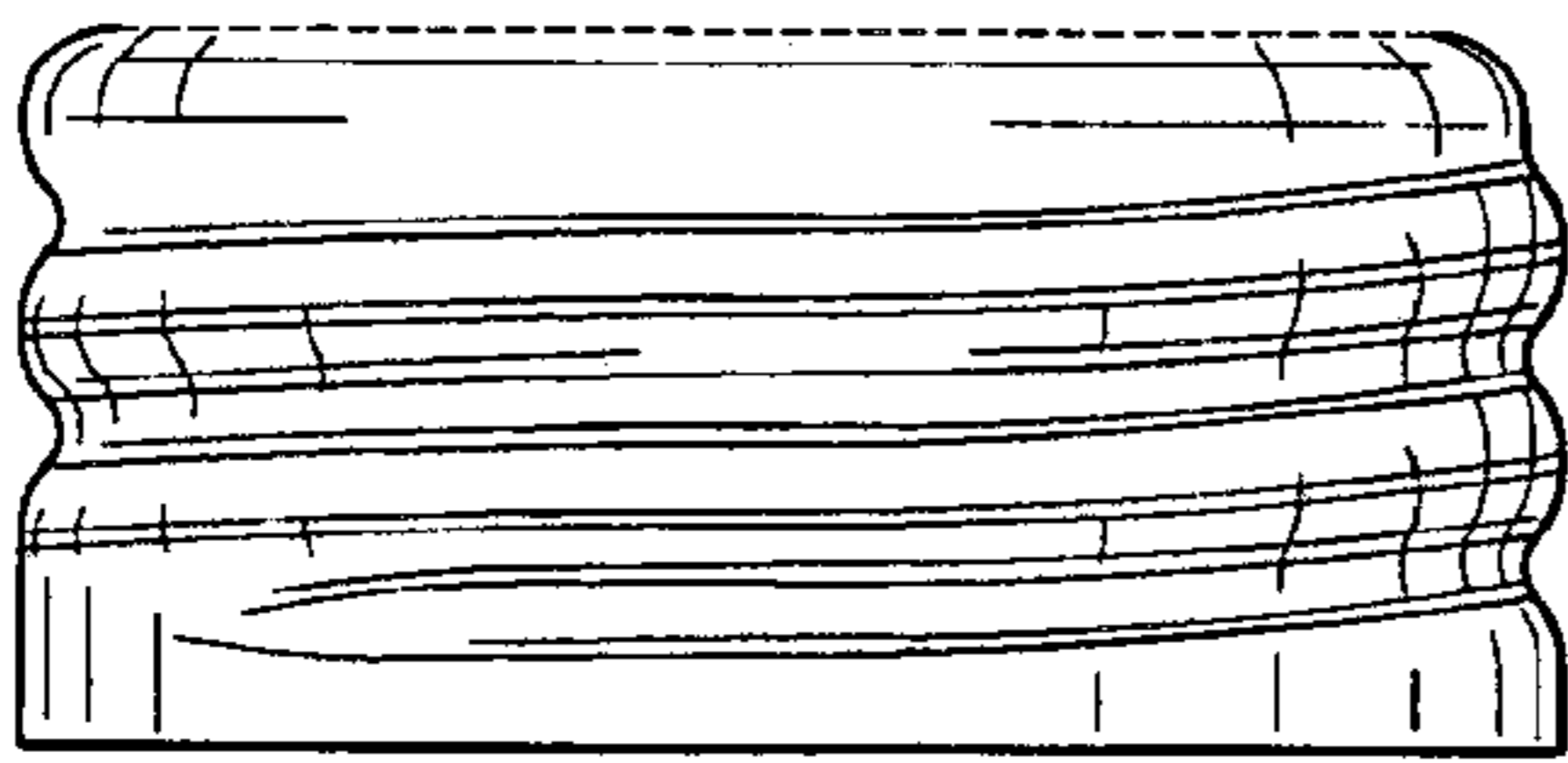


FIG. 2

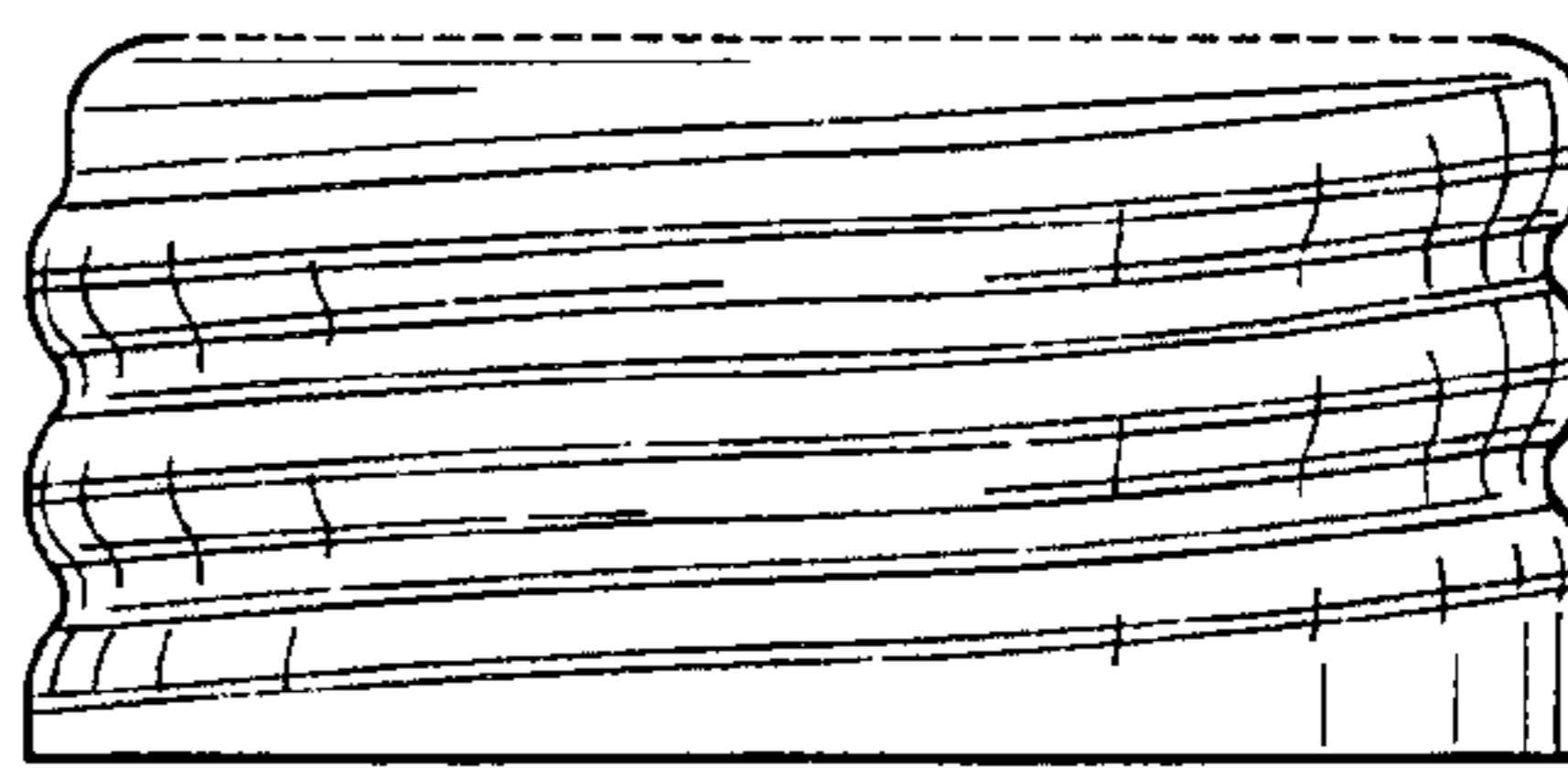


FIG. 4

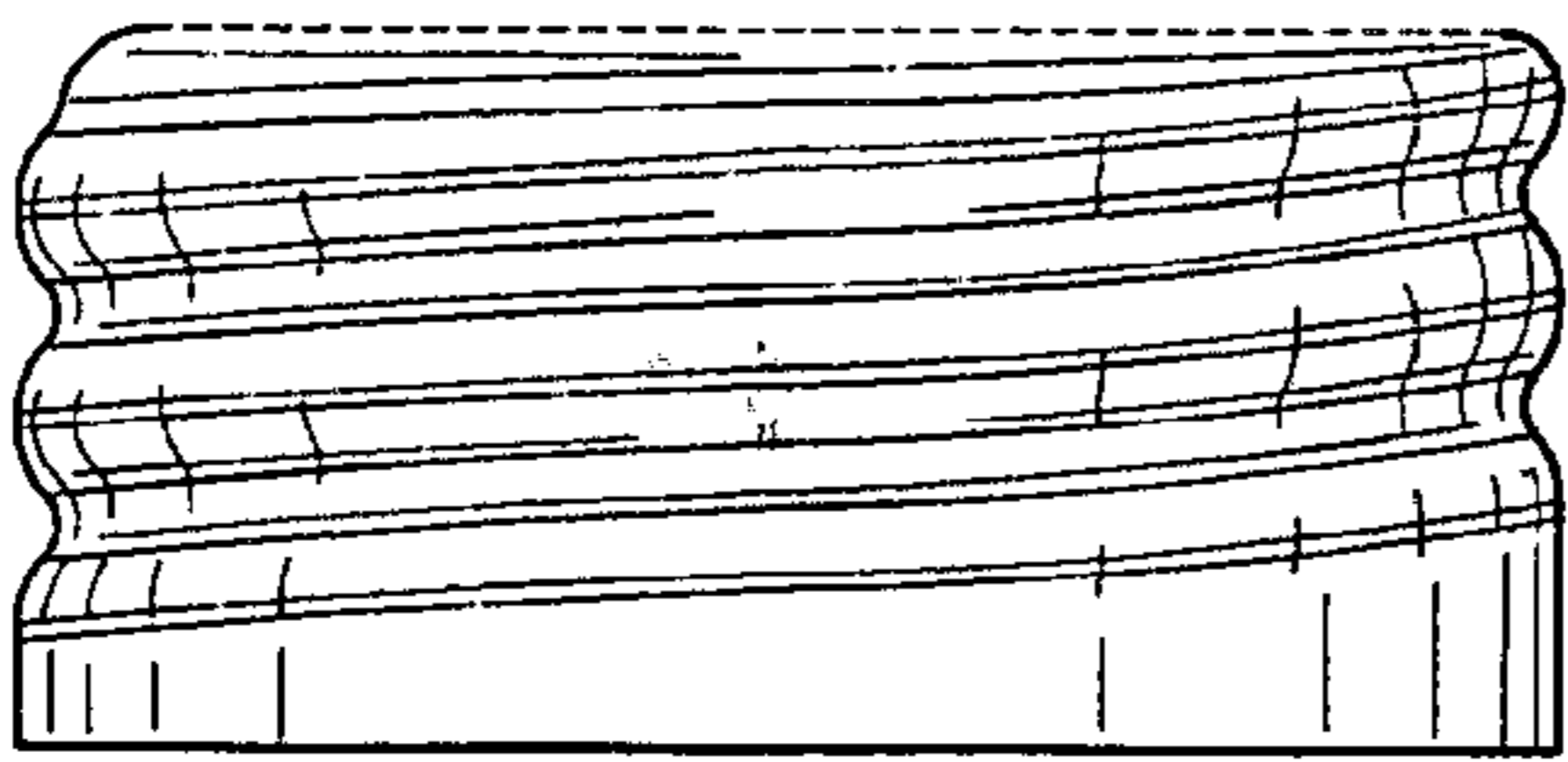


FIG. 6

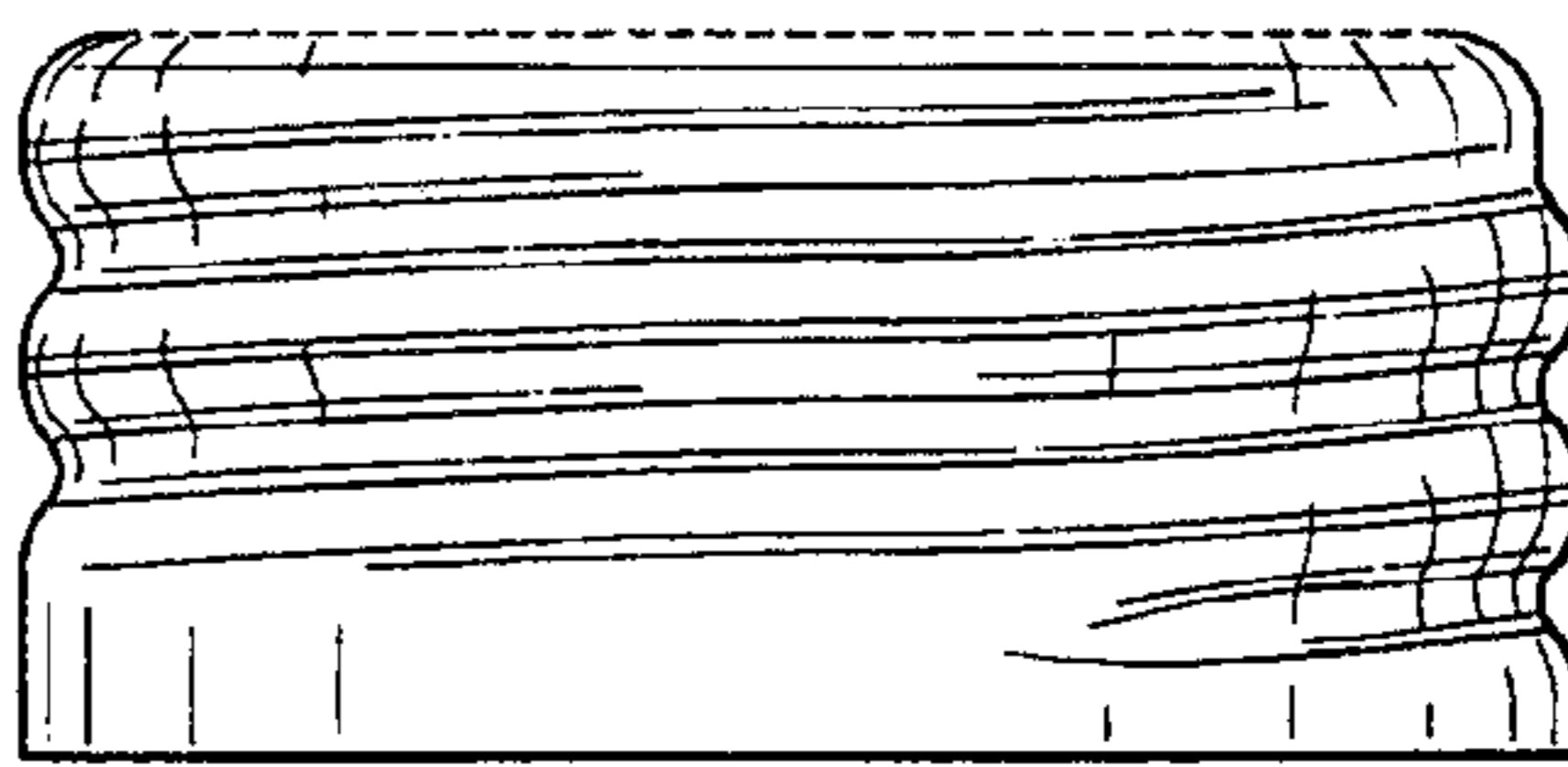


FIG. 5

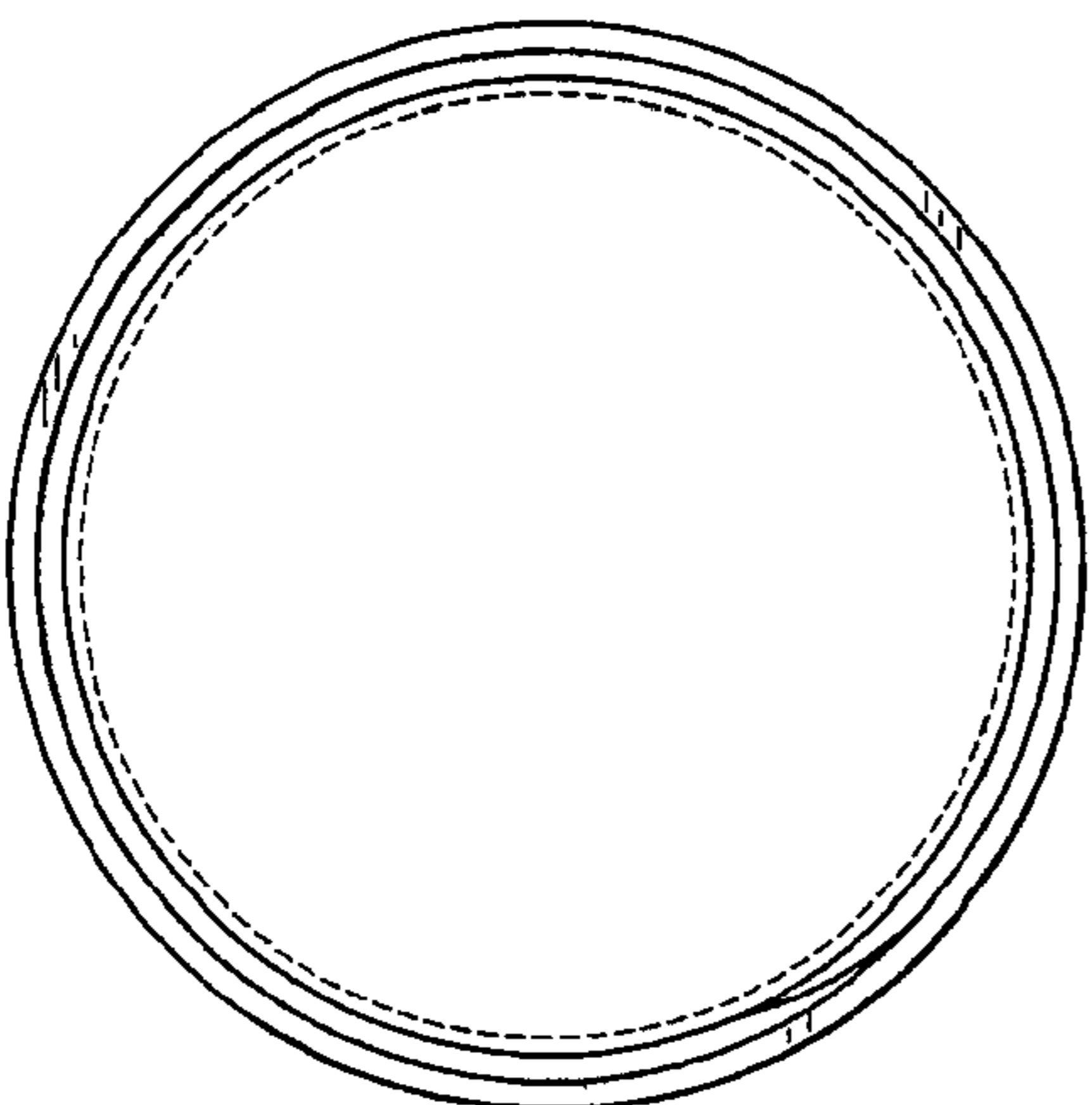


FIG. 7

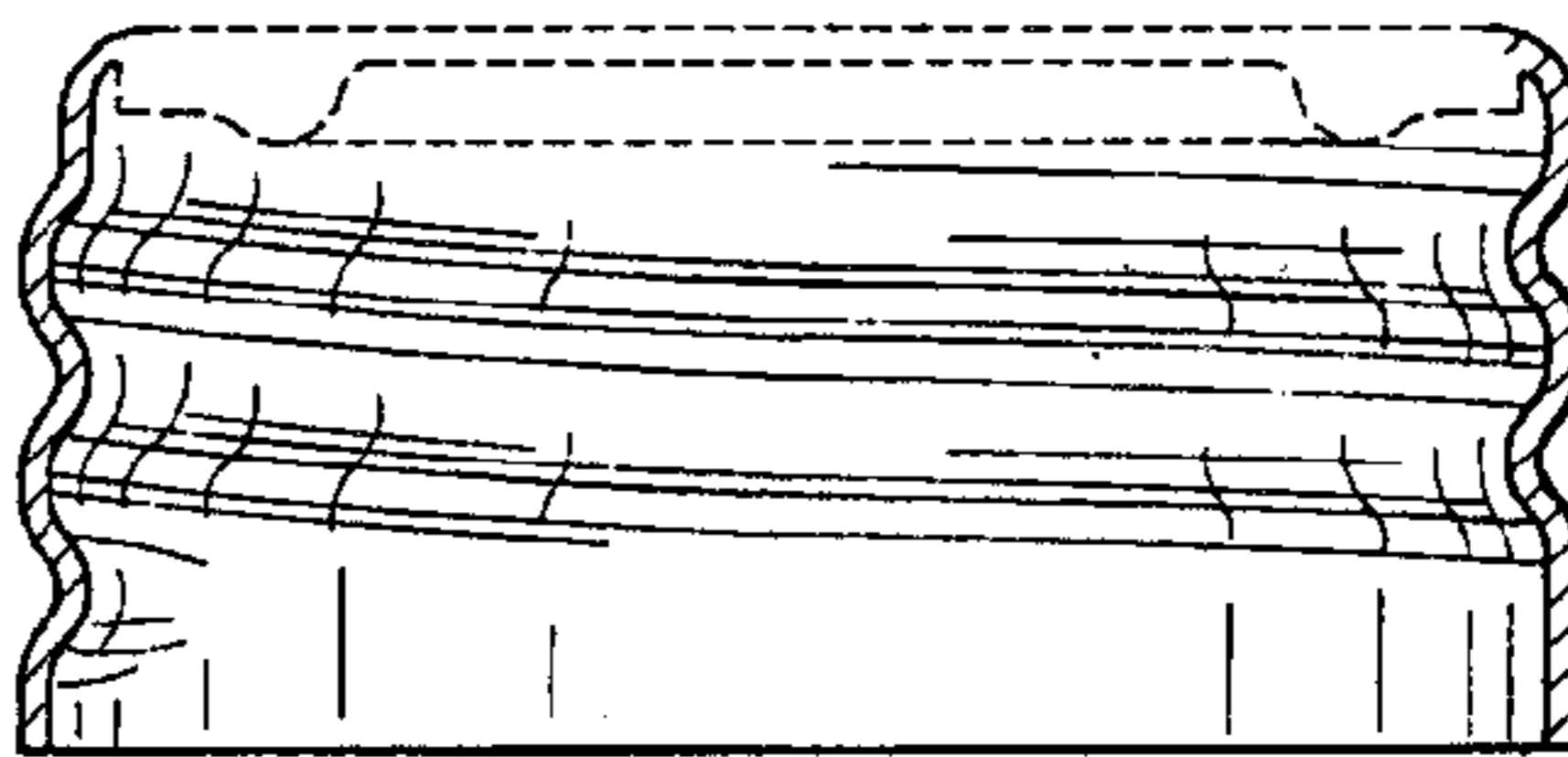


FIG. 8