

US00D694622S

(12) **United States Design Patent**
Bulens

(10) **Patent No.:** **US D694,622 S**

(45) **Date of Patent:** **** Dec. 3, 2013**

(54) **WRAPPING FOR WINE BOTTLES**
(75) Inventor: **Frank Bulens**, Herent (BE)
(73) Assignee: **Lynx Consulting B.V.B.A.**, Herent (BE)
(**) Term: **14 Years**
(21) Appl. No.: **29/392,332**
(22) Filed: **May 19, 2011**

D503,884 S * 4/2005 Camilleri-Oller et al. D9/432
D576,486 S * 9/2008 Koza D9/432
D580,753 S * 11/2008 Liden et al. D9/432
D613,600 S * 4/2010 David D9/456
D662,821 S * 7/2012 Ouzts et al. D9/456

* cited by examiner

Primary Examiner — Susan Bennett Hattan

Assistant Examiner — Vy Koenig

(74) *Attorney, Agent, or Firm* — Banner & Witcoff, Ltd.

(30) **Foreign Application Priority Data**
Feb. 18, 2011 (EM) 001823352-0001
(51) **LOC (9) Cl.** **09-03**
(52) **U.S. Cl.**
USPC **D9/432**
(58) **Field of Classification Search**
USPC D9/414, 416, 418, 420–424, 430–433,
D9/455–456; D3/272, 273, 302; 206/267,
206/269, 270, 273, 299, 737, 740, 822;
229/100, 101, 101.3, 106, 108–122
See application file for complete search history.

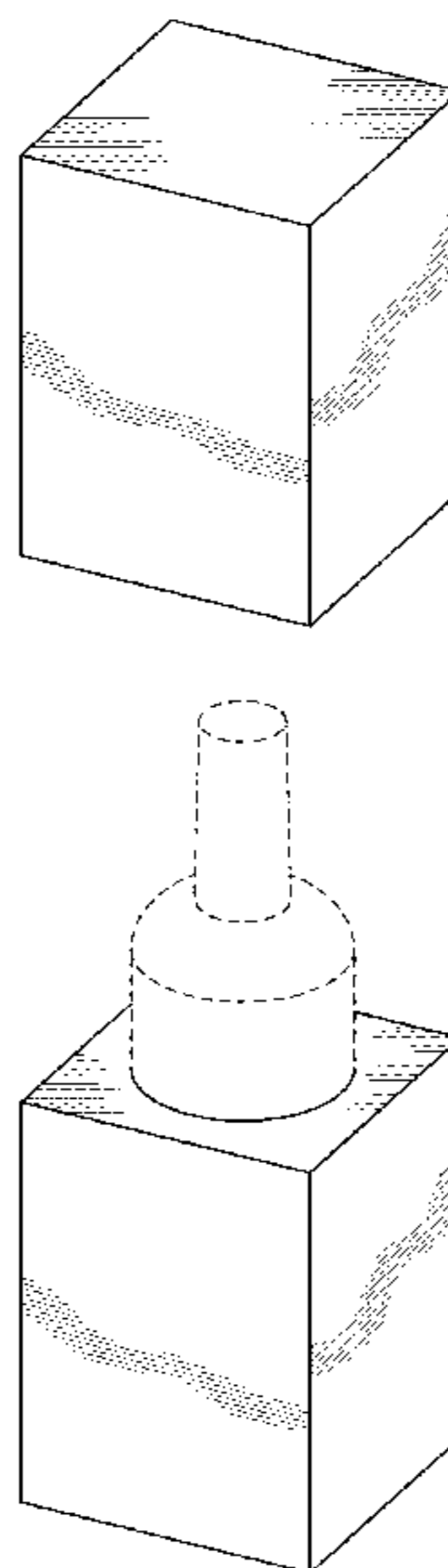
(57) **CLAIM**
The ornamental design for a wrapping for wine bottles, as shown and described.

(56) **References Cited**
U.S. PATENT DOCUMENTS
D94,473 S * 2/1935 Ganz D9/432
D106,790 S * 11/1937 Guerlain D9/430
D201,054 S * 5/1965 Roach D9/432
D201,926 S * 8/1965 Roach D9/432
3,309,893 A * 3/1967 Heffler et al. 62/372
D212,413 S * 10/1968 Lacoste D9/560
D241,013 S * 8/1976 Dekker D9/529
D266,489 S * 10/1982 Toback D9/455
D274,396 S * 6/1984 Kikuchi D7/605
D377,901 S * 2/1997 Payne et al. D9/456
D479,465 S * 9/2003 Knasel D9/432
D480,969 S * 10/2003 Owens D9/455
D496,274 S * 9/2004 Egawa D9/432

DESCRIPTION

FIG. 1 is a top isometric view in open condition of the design for a wrapping for wine bottles.
FIG. 2 is a top isometric view of a bottom part of the design for a wrapping for wine bottles.
FIG. 3 is a bottom isometric view of a top part of the design for a wrapping for wine bottles.
FIG. 4 is a top isometric view of a top part of the design for a wrapping for wine bottles.
FIG. 5 is a cross sectional view of FIG. 4.
FIG. 6 is a bottom isometric view of the top part of the design for a wrapping for wine bottles.
FIG. 7 is a top isometric view of the bottom part of the design for a wrapping for wine bottles; and,
FIG. 8 is a top plan view of the top part of the design for a wrapping for wine bottles, wherein the bottom plan view of the bottom part of the design for the wrapping for wine bottles is identical thereto.
The broken lines in the drawing depict environmental subject matter only and form no part of the claimed design.

1 Claim, 5 Drawing Sheets



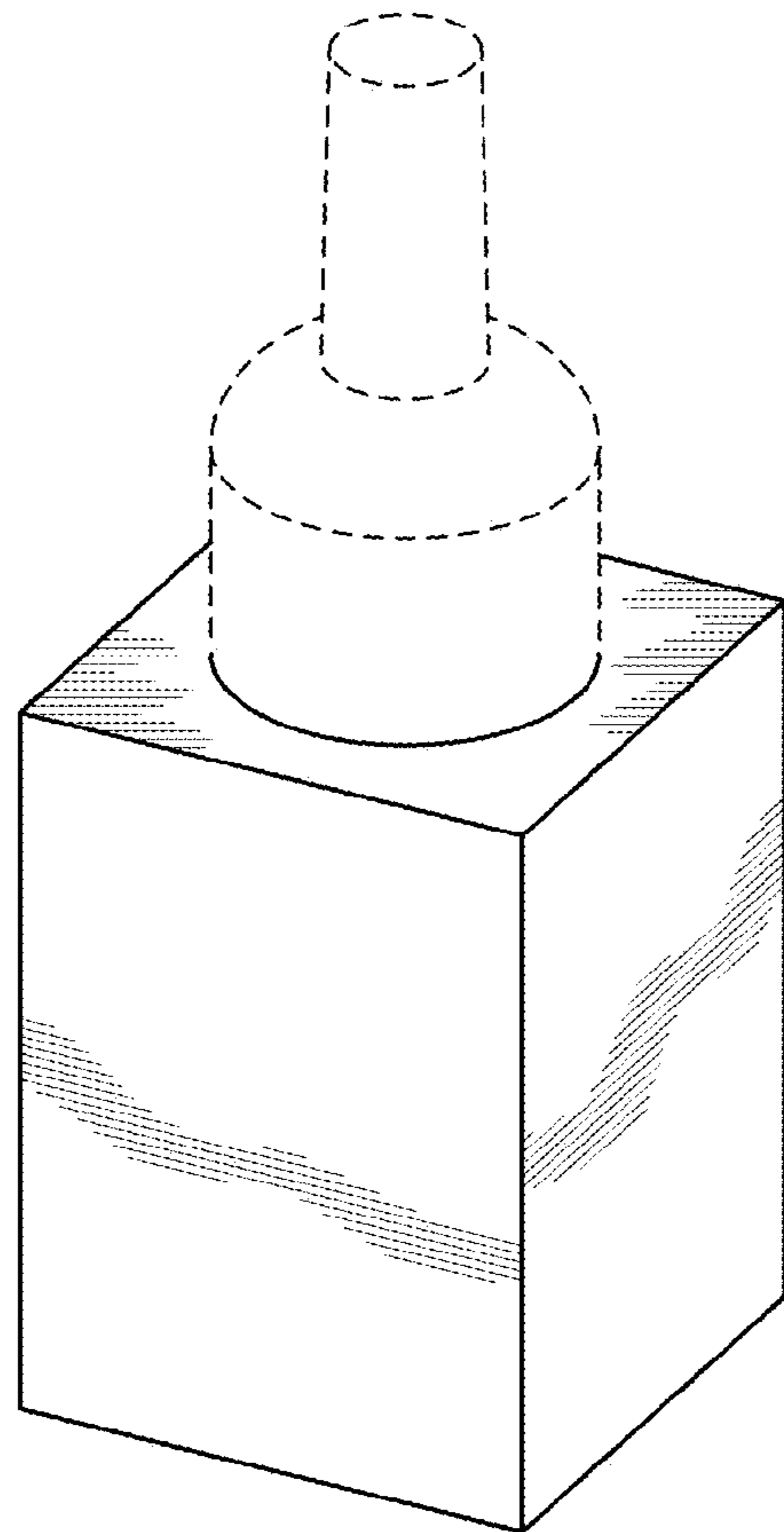
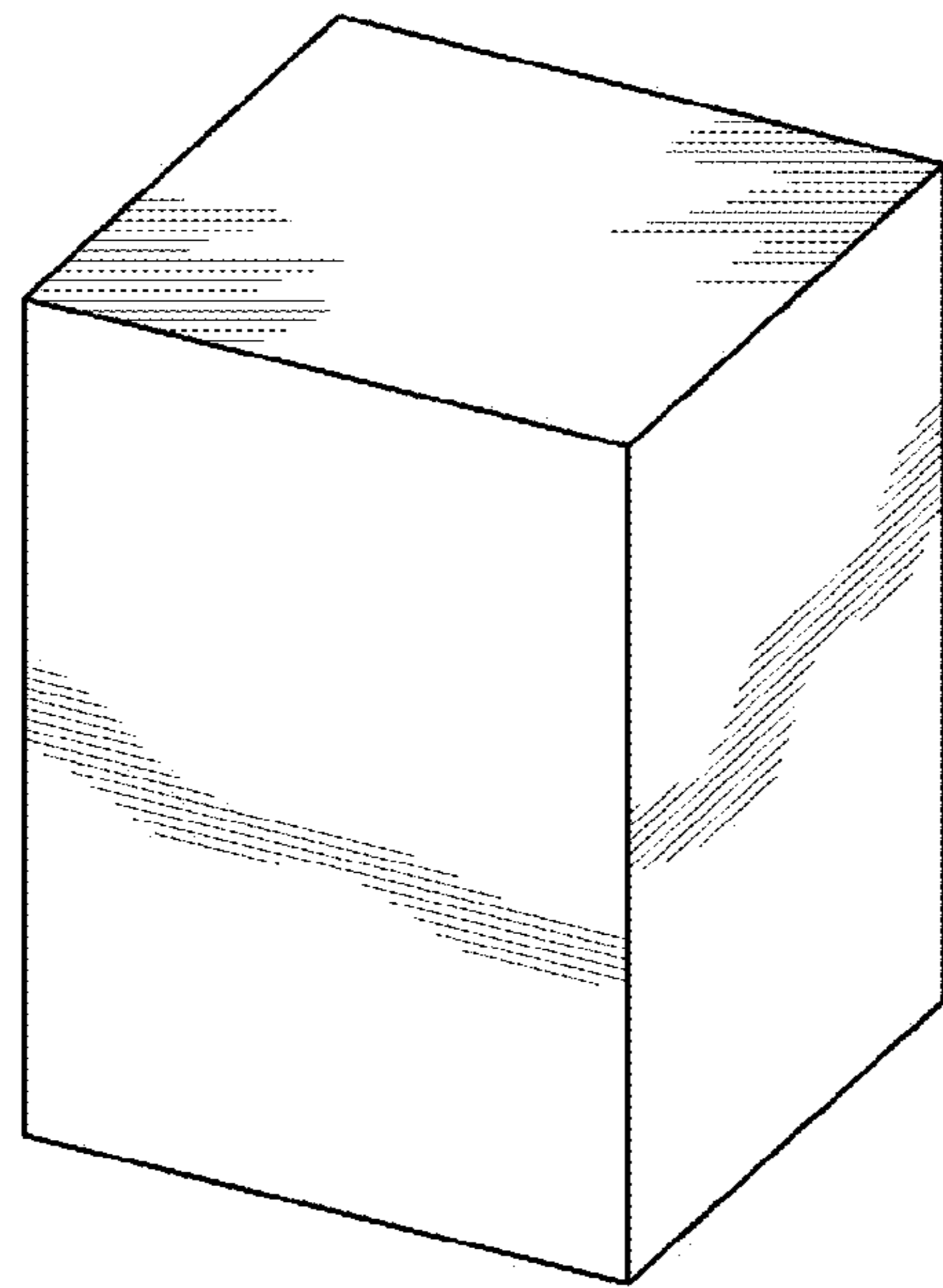


FIG. 1

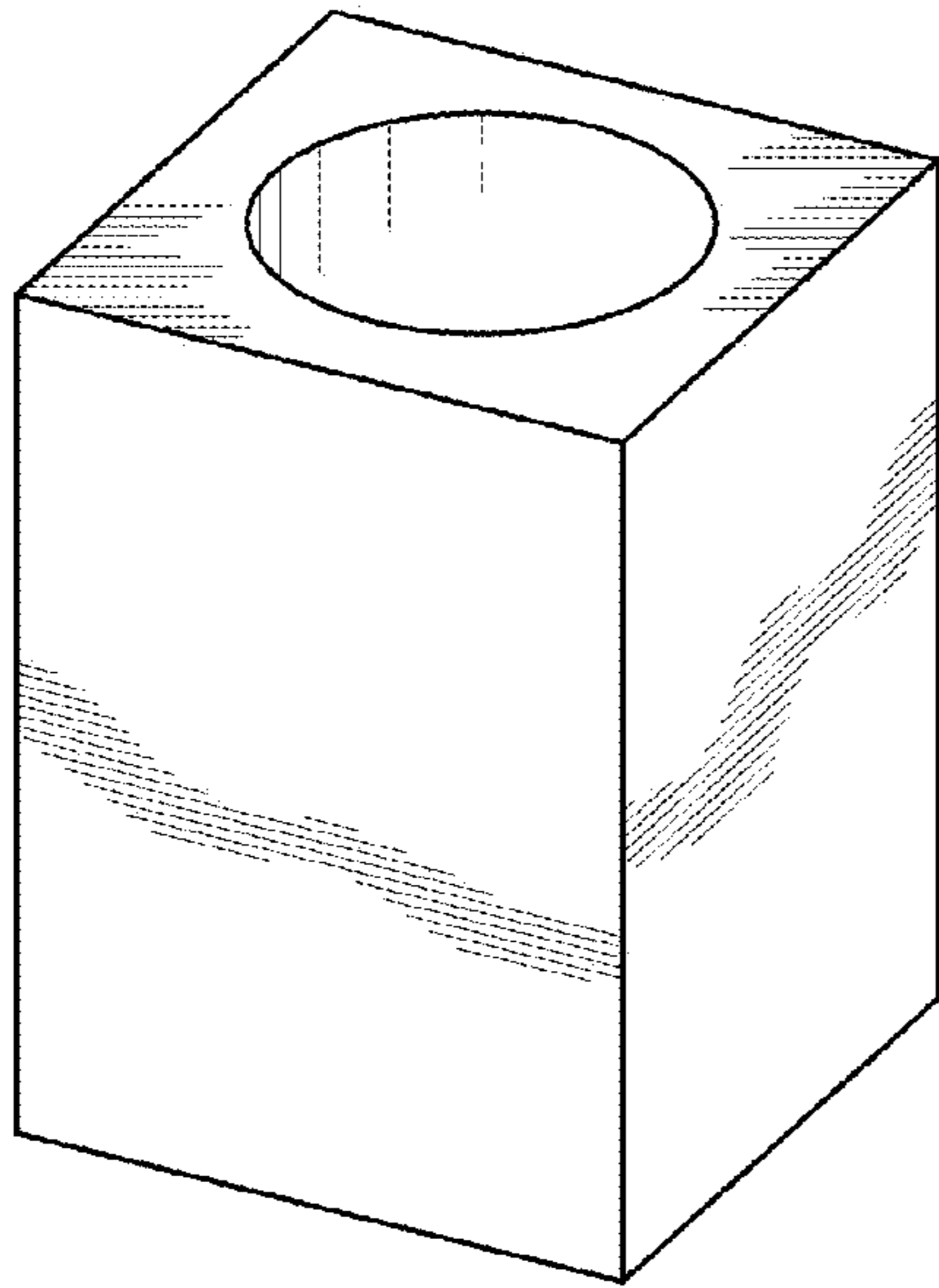


FIG. 2

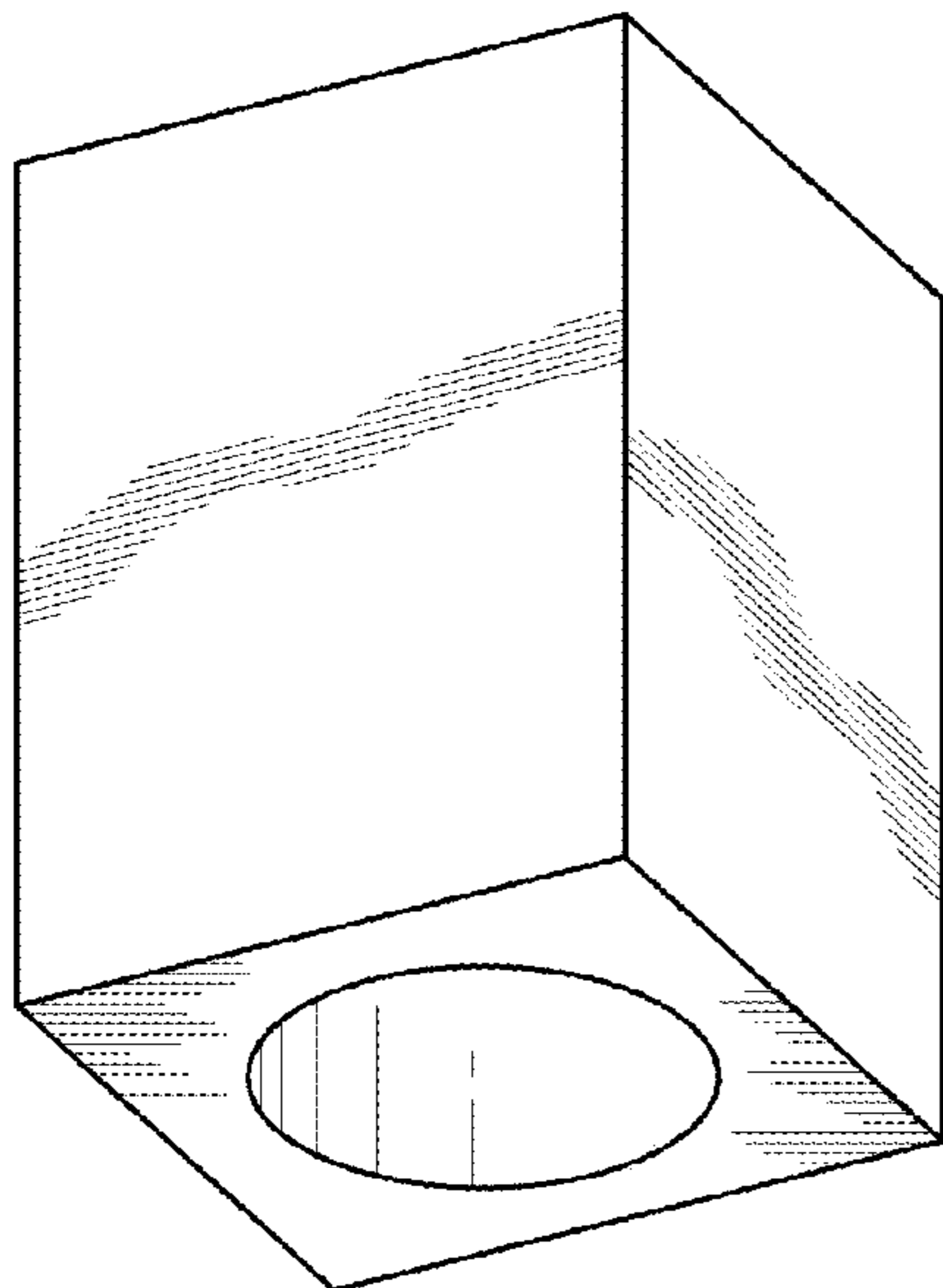


FIG. 3

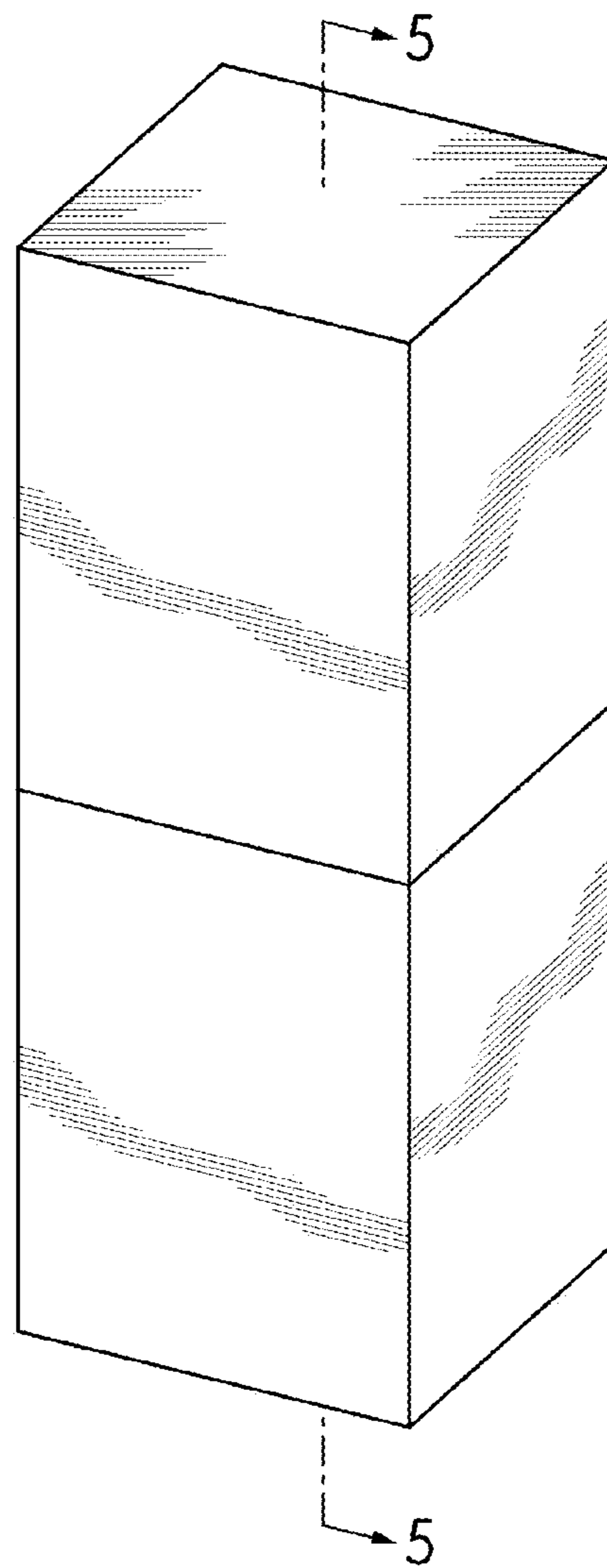


FIG. 4

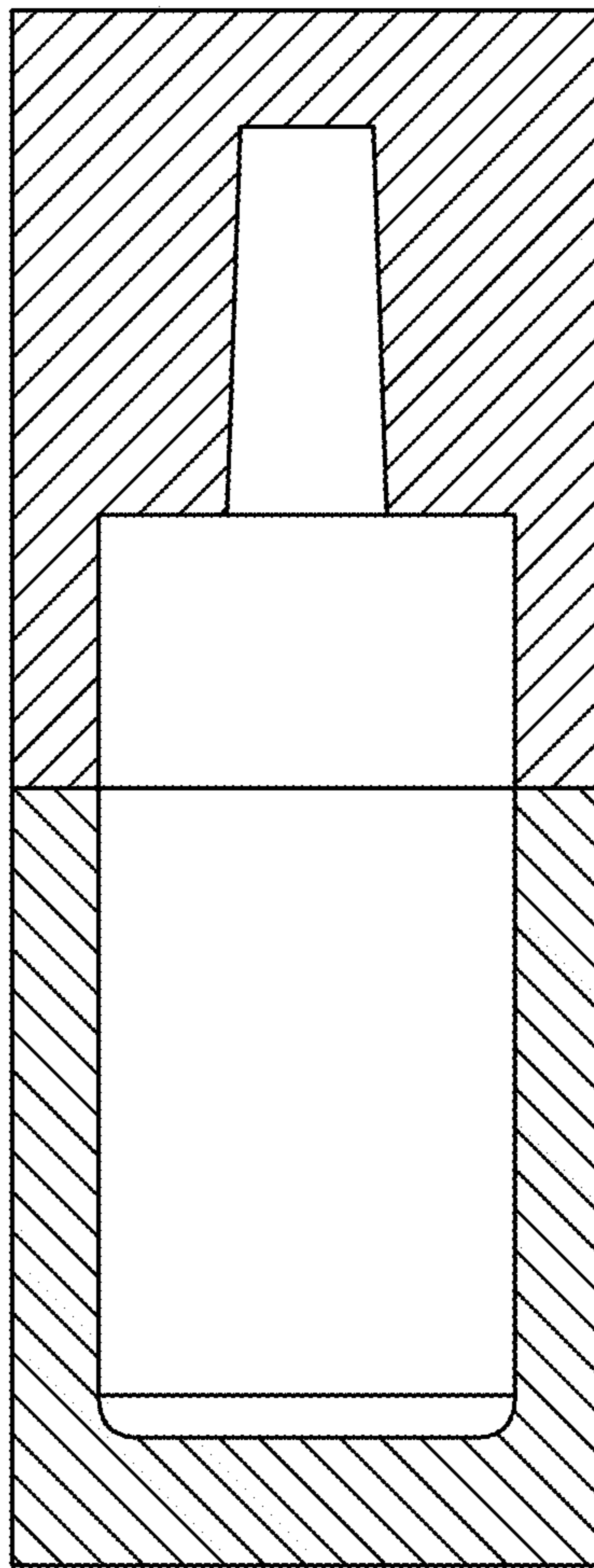


FIG. 5

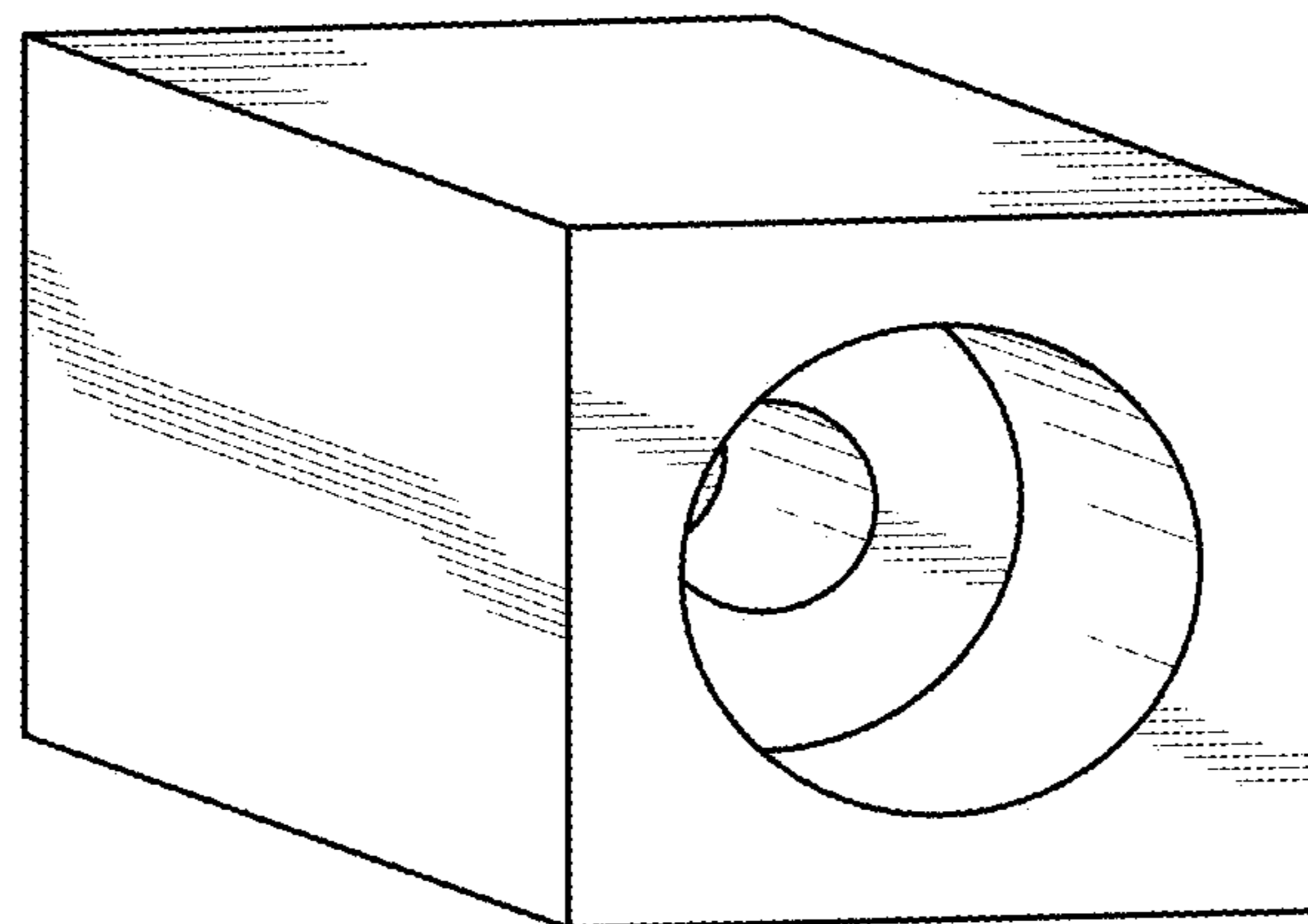


FIG. 6

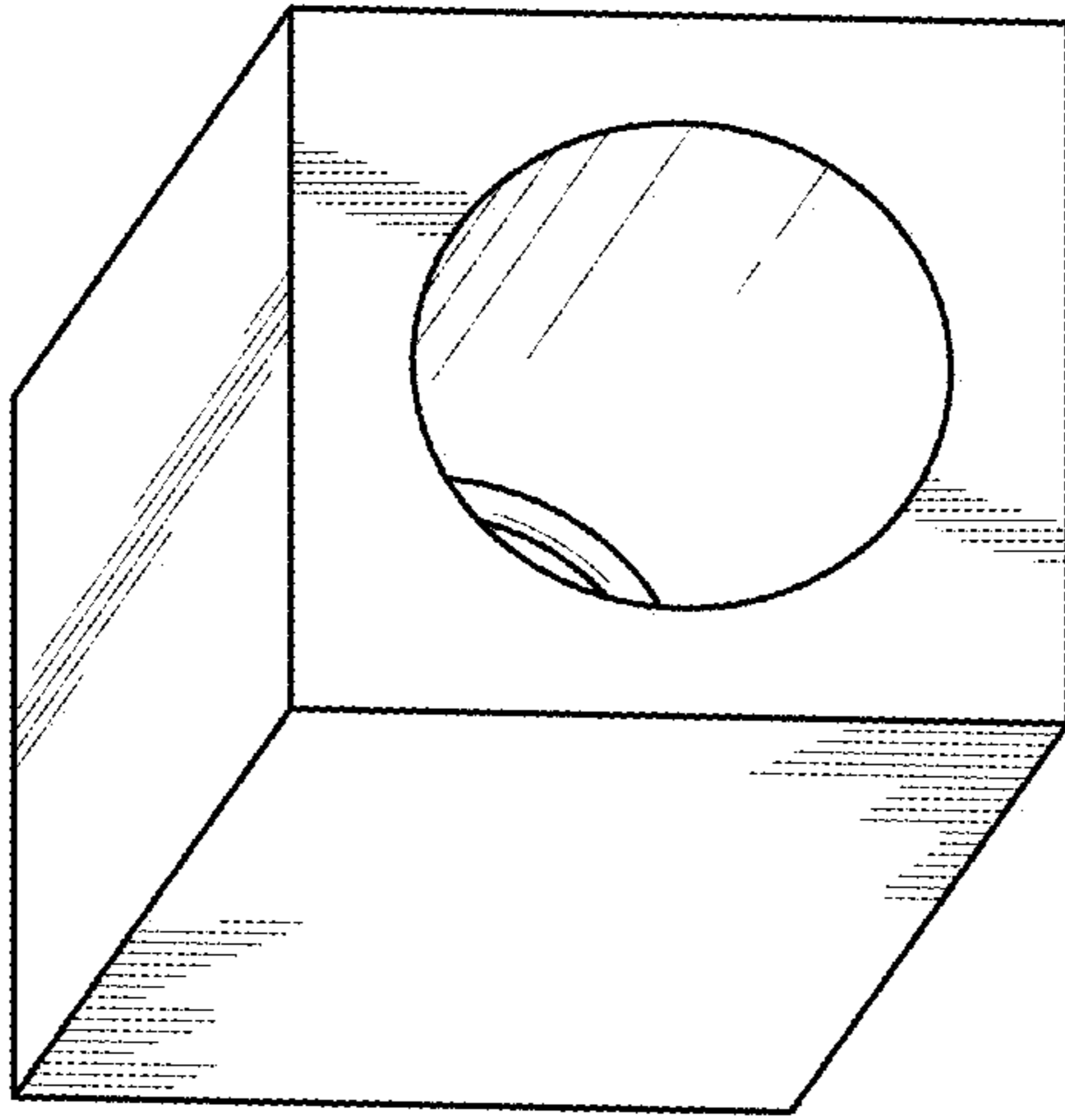


FIG. 7

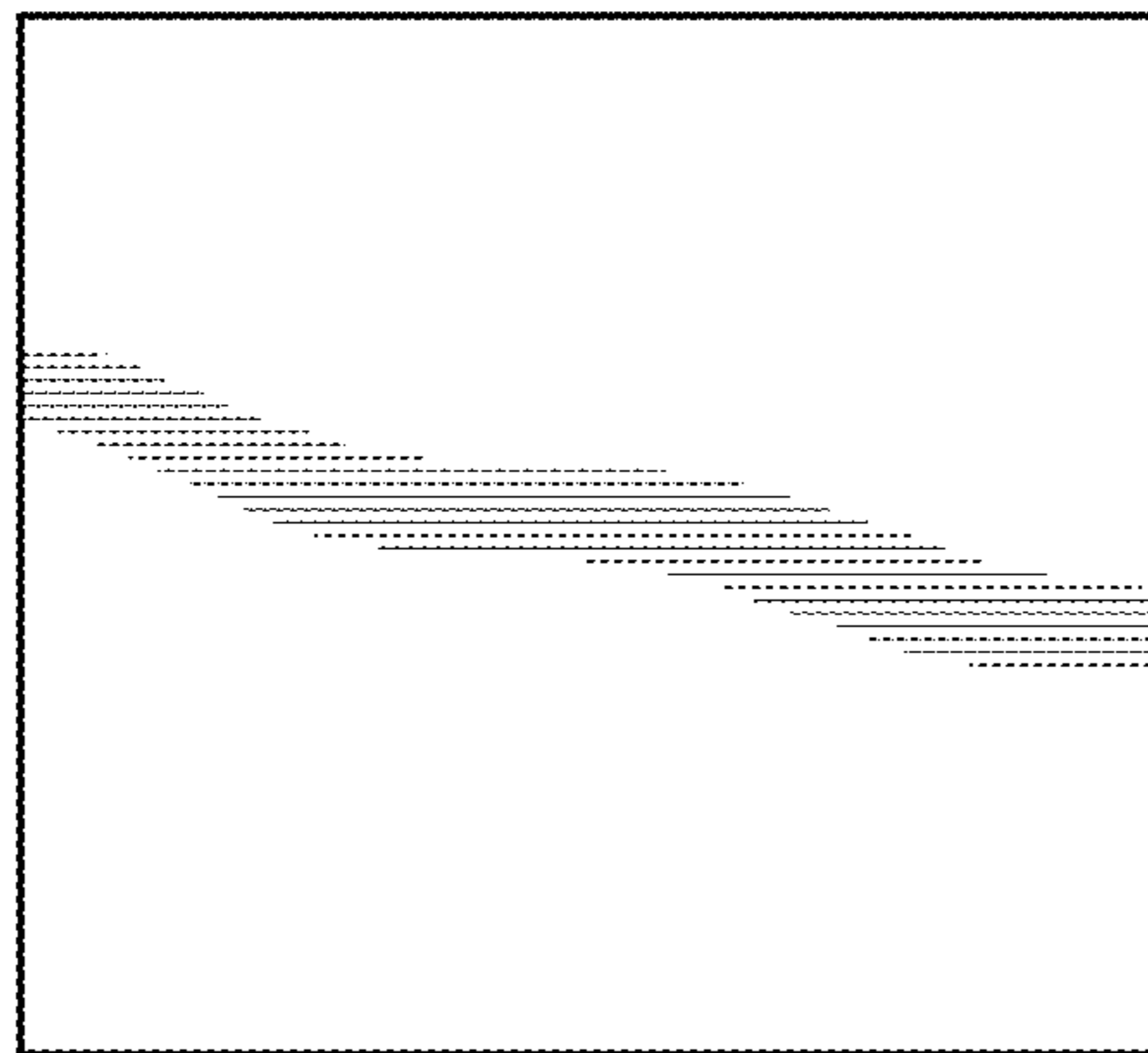


FIG. 8