



US00D694621S

(12) **United States Design Patent**
McCarthy et al.

(10) **Patent No.:** **US D694,621 S**
(45) **Date of Patent:** **** Dec. 3, 2013**

(54) **CONTAINER**

- (71) Applicant: **WellPet LLC**, Tewksbury, MA (US)
 - (72) Inventors: **Catherine McCarthy**, Tewksbury, MA (US); **Barney Hughes**, Norwalk, CT (US)
 - (73) Assignee: **Wellpet LLC**, Tweksbury, MA (US)
 - (**) Term: **14 Years**
 - (21) Appl. No.: **29/445,854**
 - (22) Filed: **Feb. 18, 2013**
 - (51) **LOC (9) Cl.** **09-03**
 - (52) **U.S. Cl.**
USPC **D9/429**
 - (58) **Field of Classification Search**
USPC D9/414-416, 418-420, 423-432, 435;
D7/354, 392.1, 394, 396.1, 538, 543,
D7/545, 550.1, 551, 554.3, 587, 566, 575,
D7/584, 586, 605, 629, 667, 709;
220/4.21-4.24, 574, 602-608, 659,
220/675, 781-782, 793, 835, 839, DIG. 12;
229/401, 406; 206/119, 216, 351, 469,
206/470, 508, 521.1, 525-545, 562,
206/731-734, 775-778, 781, 782, 784, 806,
206/822, 830; 219/725, 728, 732, 735;
D23/359; D3/272-273, 276, 294, 302,
D3/312, 314; 221/191
- See application file for complete search history.

(56) **References Cited**

U.S. PATENT DOCUMENTS

D120,746 S *	5/1940	Trevisan	D9/423
D398,526 S *	9/1998	Schwarz et al.	D9/431
D450,240 S *	11/2001	Haag et al.	D9/416
D462,902 S *	9/2002	Gittins et al.	D9/430
D502,095 S *	2/2005	Tucker et al.	D9/425
D536,608 S *	2/2007	Arkins	D9/414
D585,735 S *	2/2009	Vovan et al.	D9/426
D636,669 S *	4/2011	Ruth	D9/434
D684,855 S *	6/2013	BeVier et al.	D9/429

* cited by examiner

Primary Examiner — Thomas Johannes

(74) *Attorney, Agent, or Firm* — McNeese Wallace & Nurick LLC

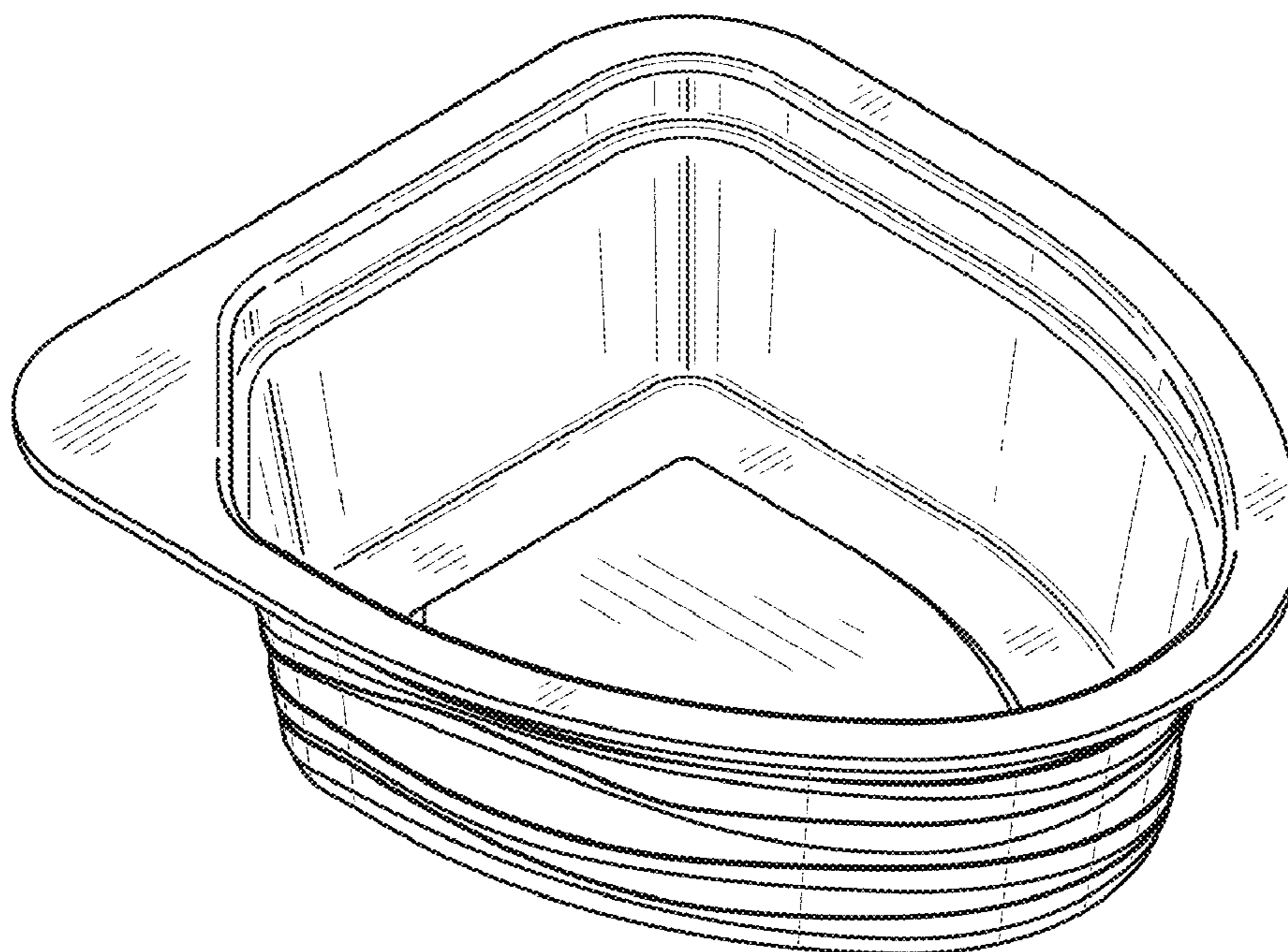
(57) **CLAIM**

The ornamental design for a container, as shown and described.

DESCRIPTION

FIG. 1 shows a perspective view of a container according our new design;
 FIG. 2 shows a front view thereof;
 FIG. 3 shows a rear view thereof;
 FIG. 4 shows a left side view thereof;
 FIG. 5 shows a right side view thereof;
 FIG. 6 shows a bottom view thereof; and,
 FIG. 7 shows a top view thereof.

1 Claim, 5 Drawing Sheets



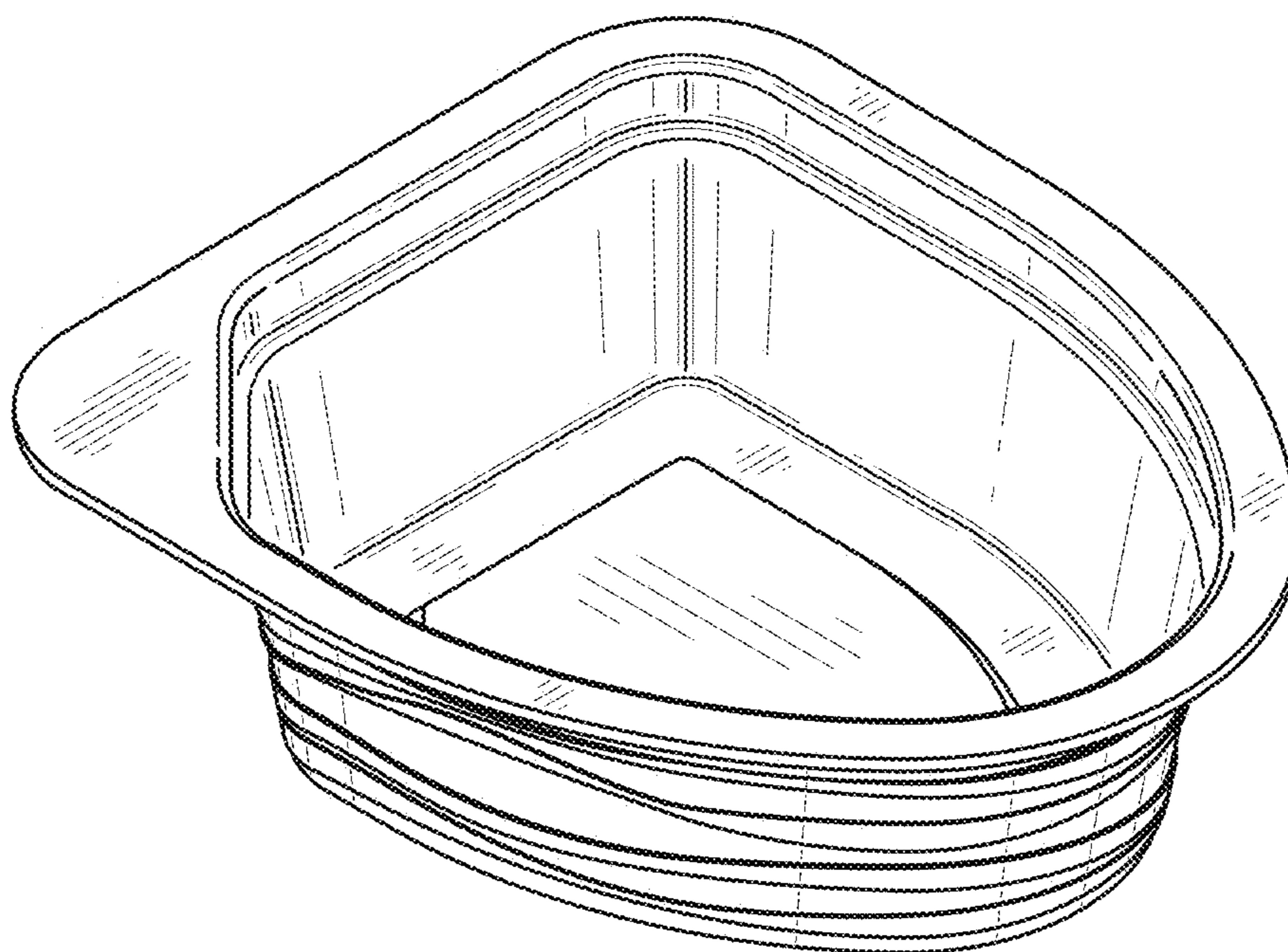


FIG. 1

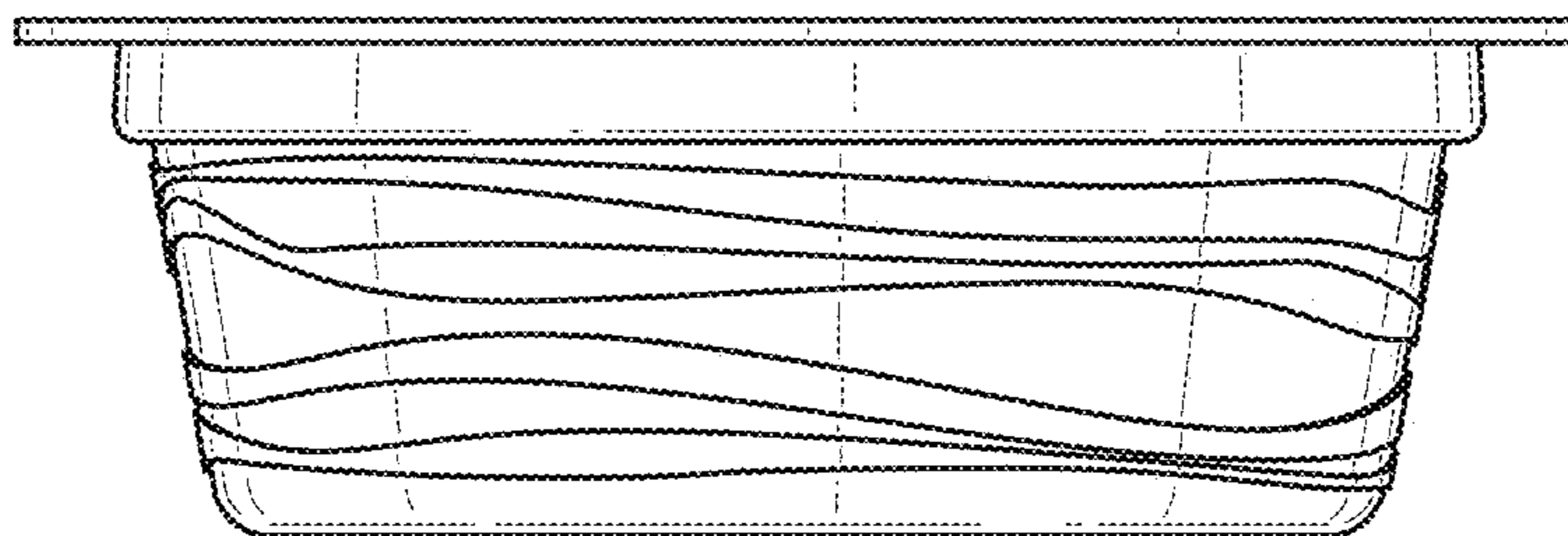


FIG. 2



FIG. 3

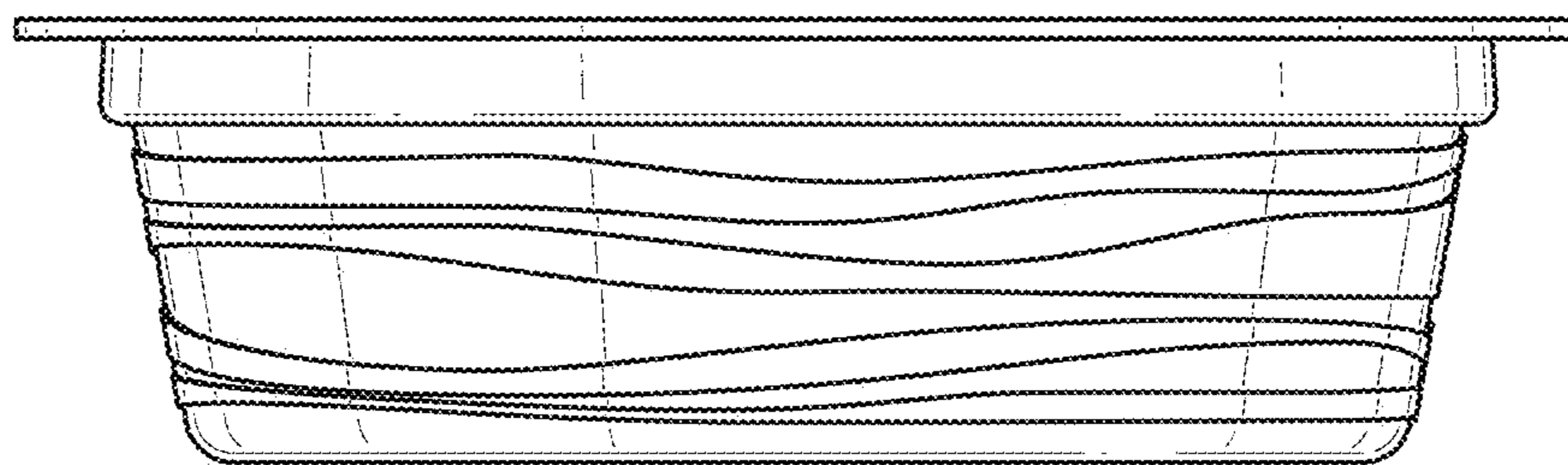


FIG. 4

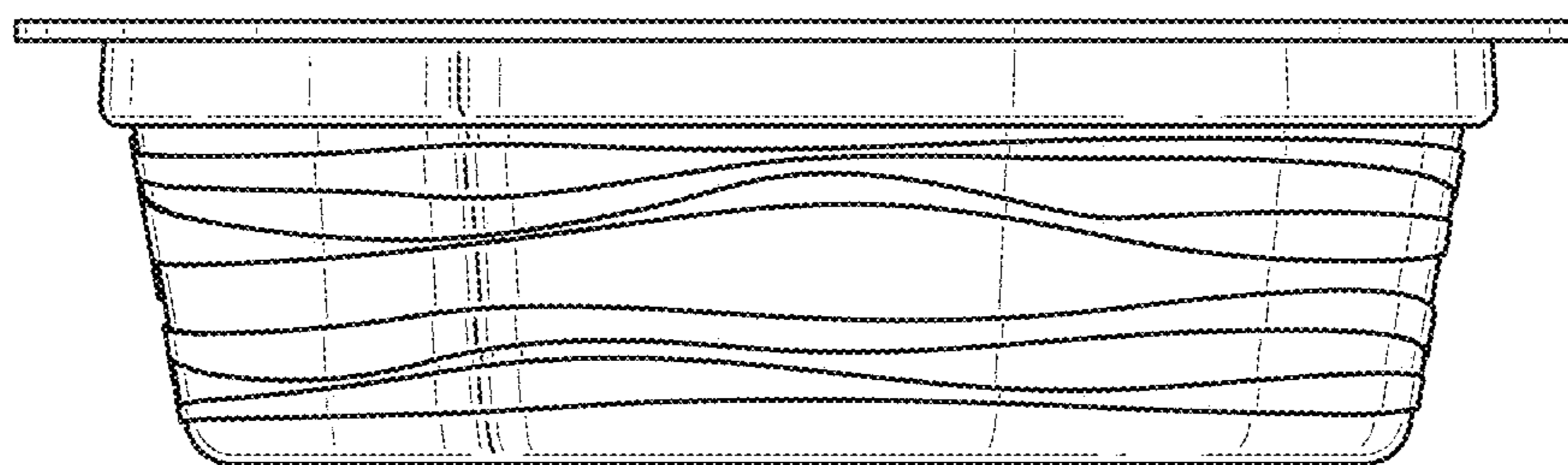


FIG. 5

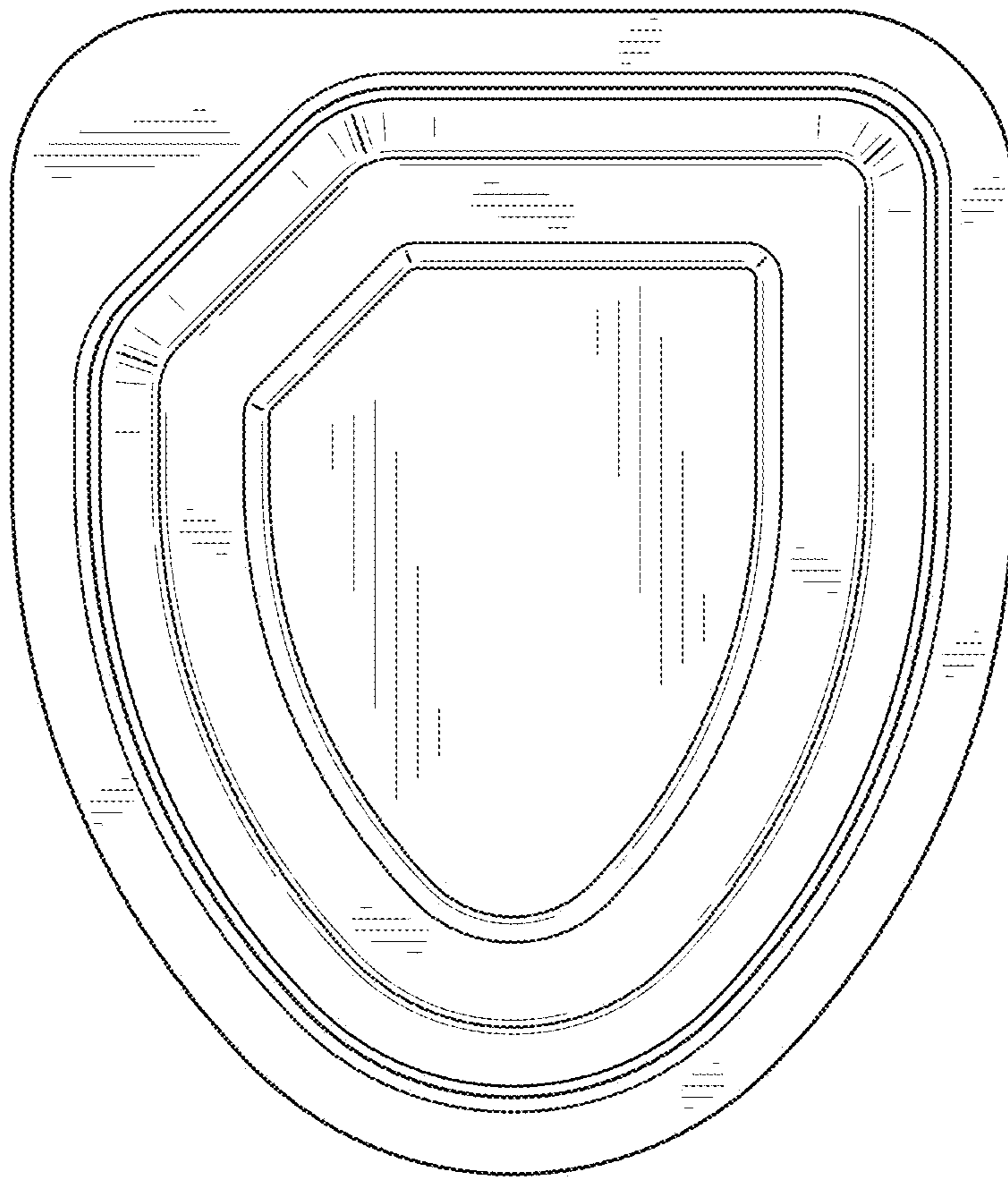


FIG. 6

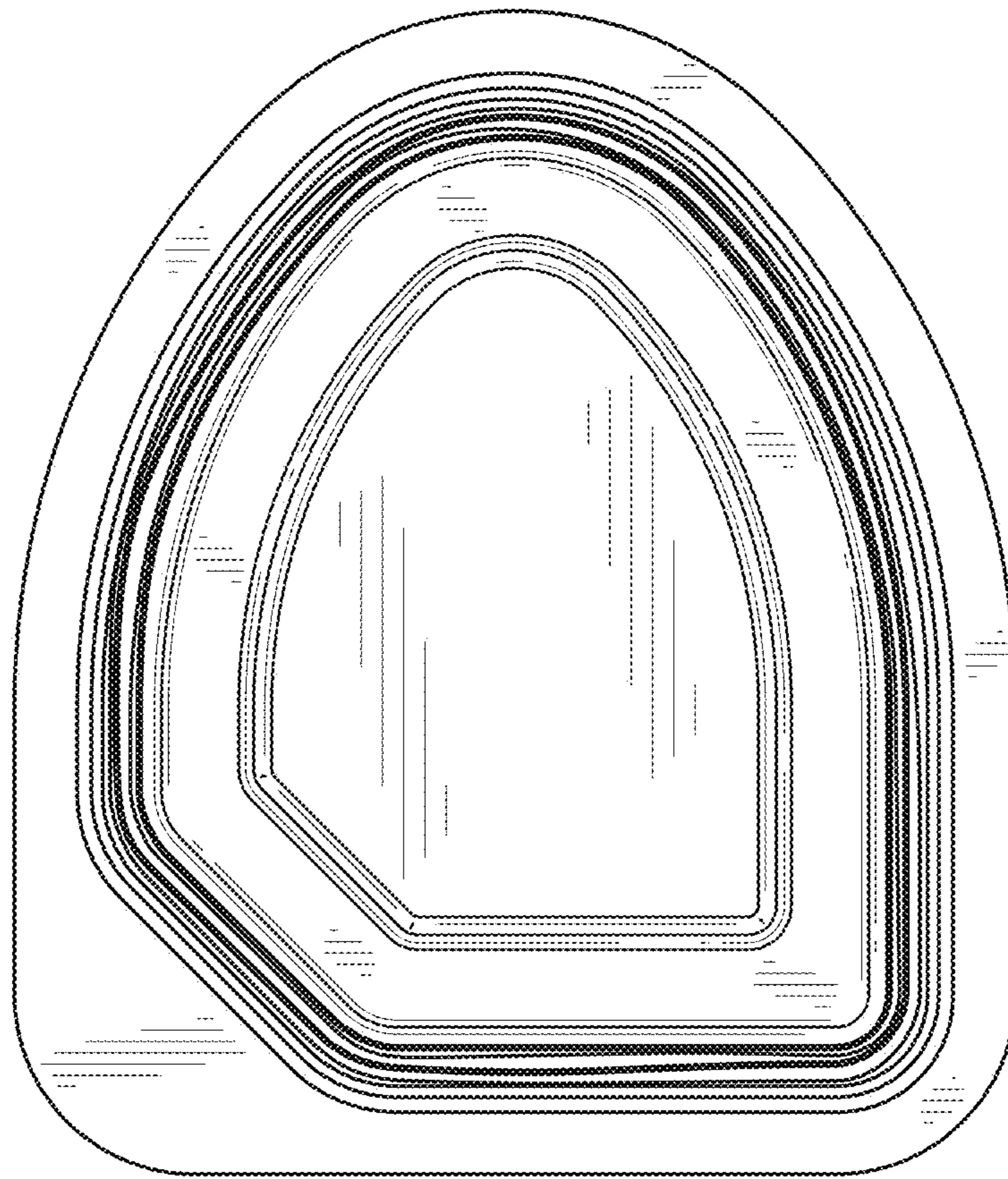


FIG. 7