



US00D694618S

(12) **United States Design Patent**  
**Pham et al.**

(10) **Patent No.:** **US D694,618 S**  
(45) **Date of Patent:** **\*\* Dec. 3, 2013**

(54) **CONTAINER**

(75) Inventors: **Steven Pham**, Naugatuck, CT (US);  
**Bruce Stein**, Easton, CT (US)

(73) Assignee: **Inline Plastics Corp.**, Shelton, CT (US)

(\*\*) Term: **14 Years**

(21) Appl. No.: **29/428,217**

(22) Filed: **Jul. 27, 2012**  
(Under 37 CFR 1.47)

(51) **LOC (9) Cl.** ..... **09-03**

(52) **U.S. Cl.**  
USPC ..... **D9/426**

(58) **Field of Classification Search**  
USPC ..... D9/414, 419, 424, 425, 431, 432, 435,  
D9/737, 761; D7/538, 549, 550.1,  
D7/601-603, 605, 629; 229/105, 117.09,  
229/117.26, 189, 406, 407, 902, 905,  
229/915.1; 220/23.4, 23.6, 266, 281, 315,  
220/318, 500, 659, 669, 674, 675, 696, 752,  
220/760, 790, 793, DIG. 12, FOR. 117;  
206/508; D3/276

See application file for complete search history.

(56) **References Cited**

**U.S. PATENT DOCUMENTS**

D276,216 S \* 11/1984 Michaud ..... D9/425  
D348,608 S \* 7/1994 Wyslowsky ..... D9/425

D407,014 S \* 3/1999 McCann ..... D9/423  
D468,637 S \* 1/2003 Chou ..... D9/425  
D512,305 S \* 12/2005 Ramirez et al. .... D9/425  
D553,490 S \* 10/2007 Yang ..... D9/425  
D625,180 S \* 10/2010 Enriquez ..... D9/425  
D640,544 S \* 6/2011 Sifuentes et al. .... D9/425  
D681,451 S \* 5/2013 Kui ..... D9/432

\* cited by examiner

*Primary Examiner* — Thomas Johannes

(74) *Attorney, Agent, or Firm* — Edwards Wildman Palmer LLP

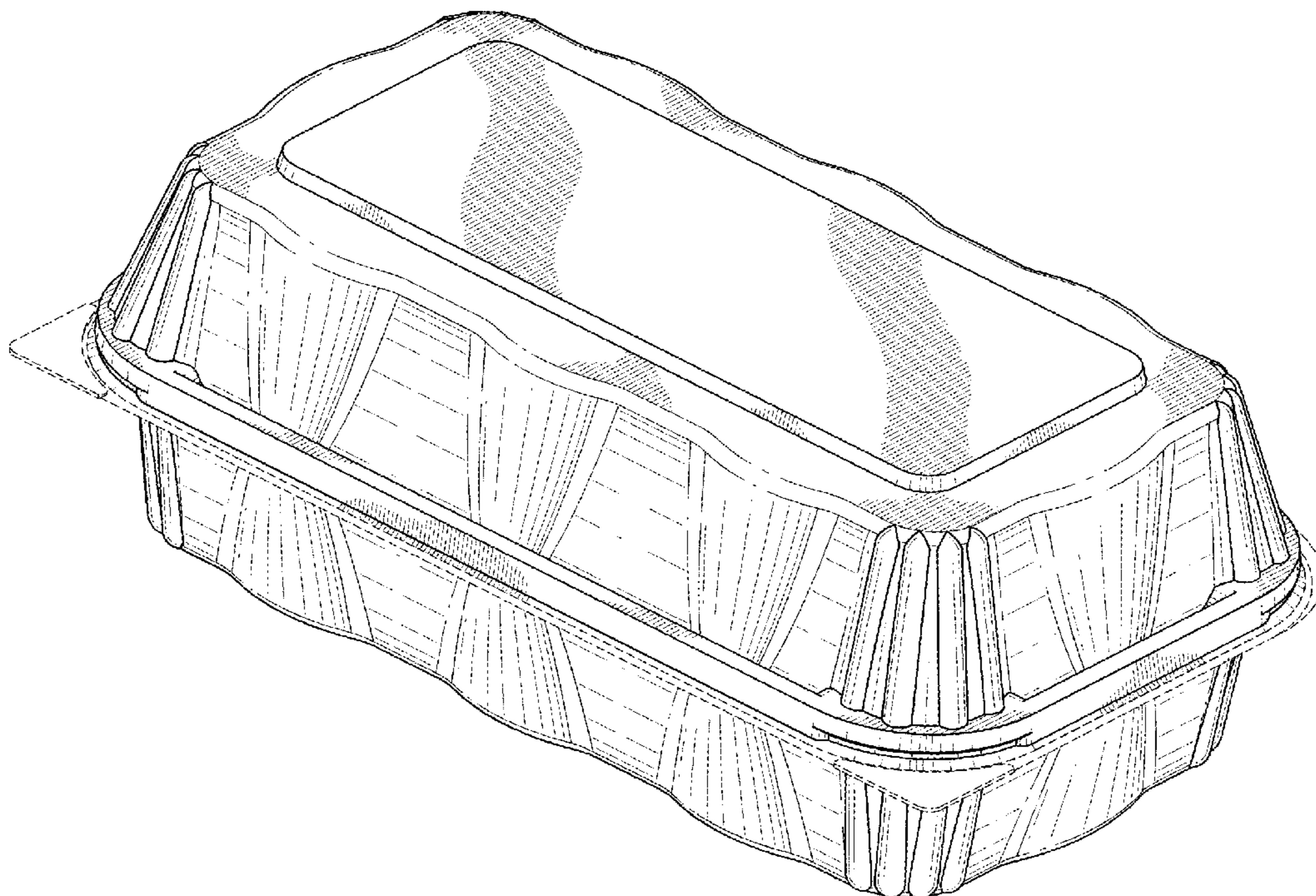
(57) **CLAIM**

The ornamental design for a container, as is shown and described.

**DESCRIPTION**

FIG. 1 is a top perspective view of a container showing our new design;  
FIG. 2 is a front view thereof;  
FIG. 3 is a right side view thereof;  
FIG. 4 is a back view thereof;  
FIG. 5 is a left side view thereof;  
FIG. 6 is a top view thereof;  
FIG. 7 is a bottom view thereof; and,  
FIG. 8 is a bottom perspective view thereof.  
The broken lines shown in the drawings represent unclaimed portions of the container and form no part of the claimed design.

**1 Claim, 8 Drawing Sheets**



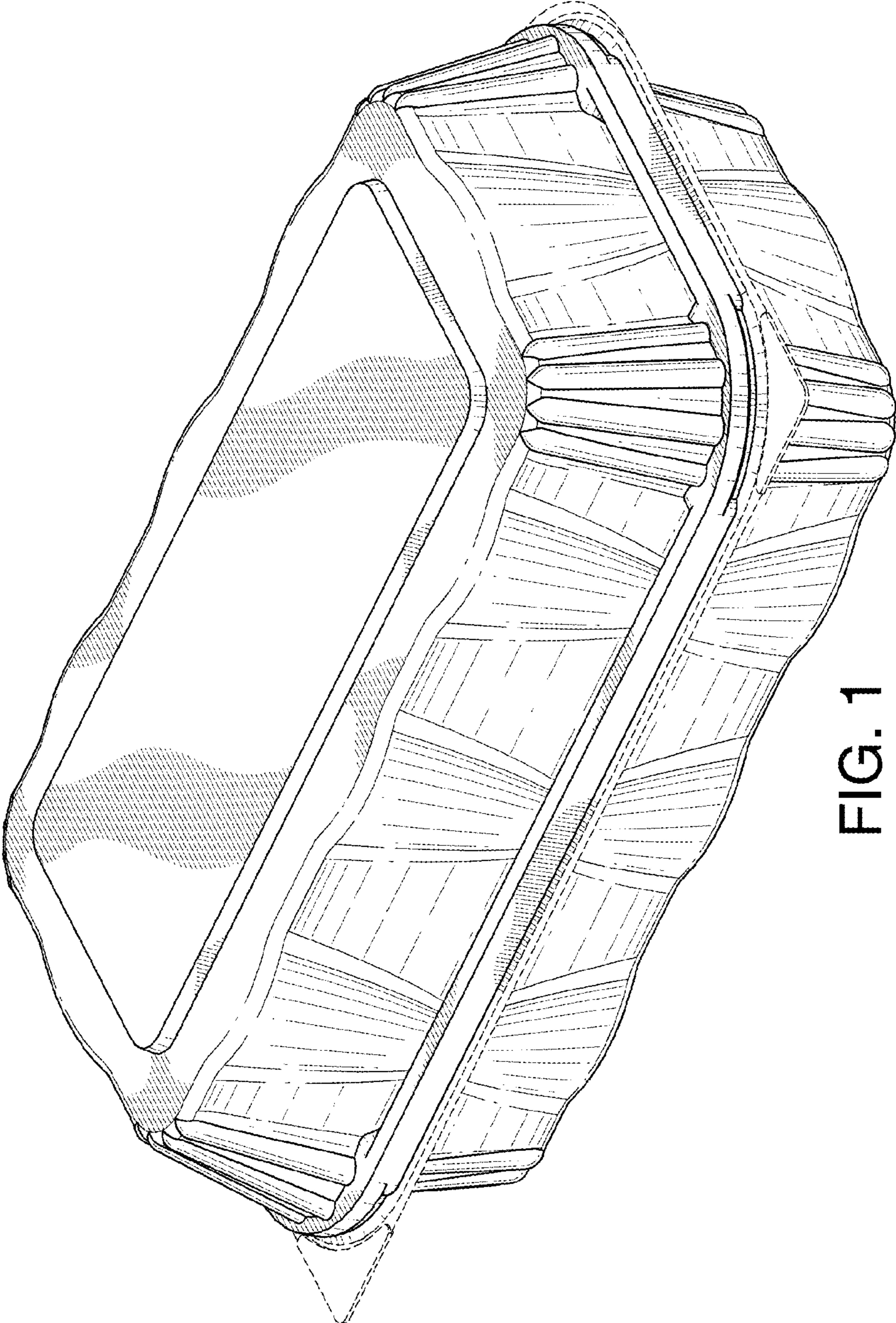


FIG. 1

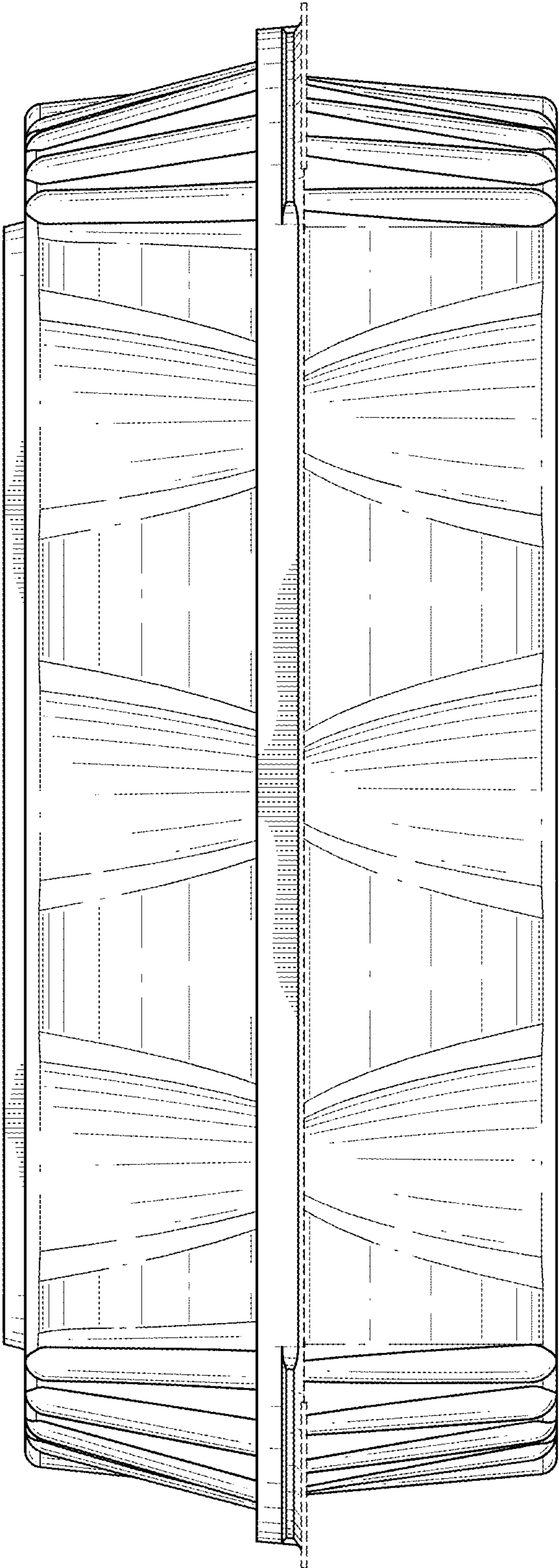


FIG. 2

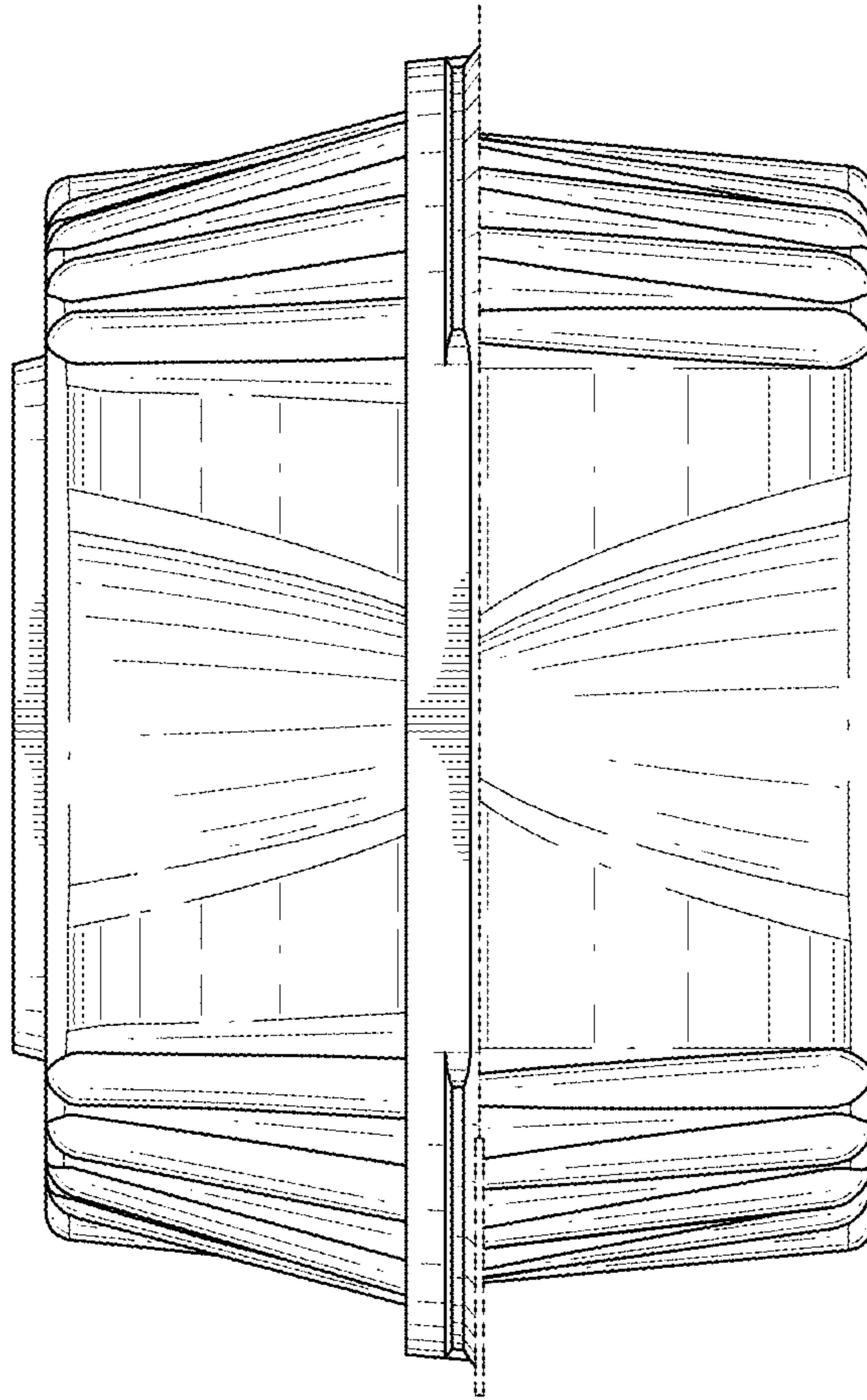


FIG. 3

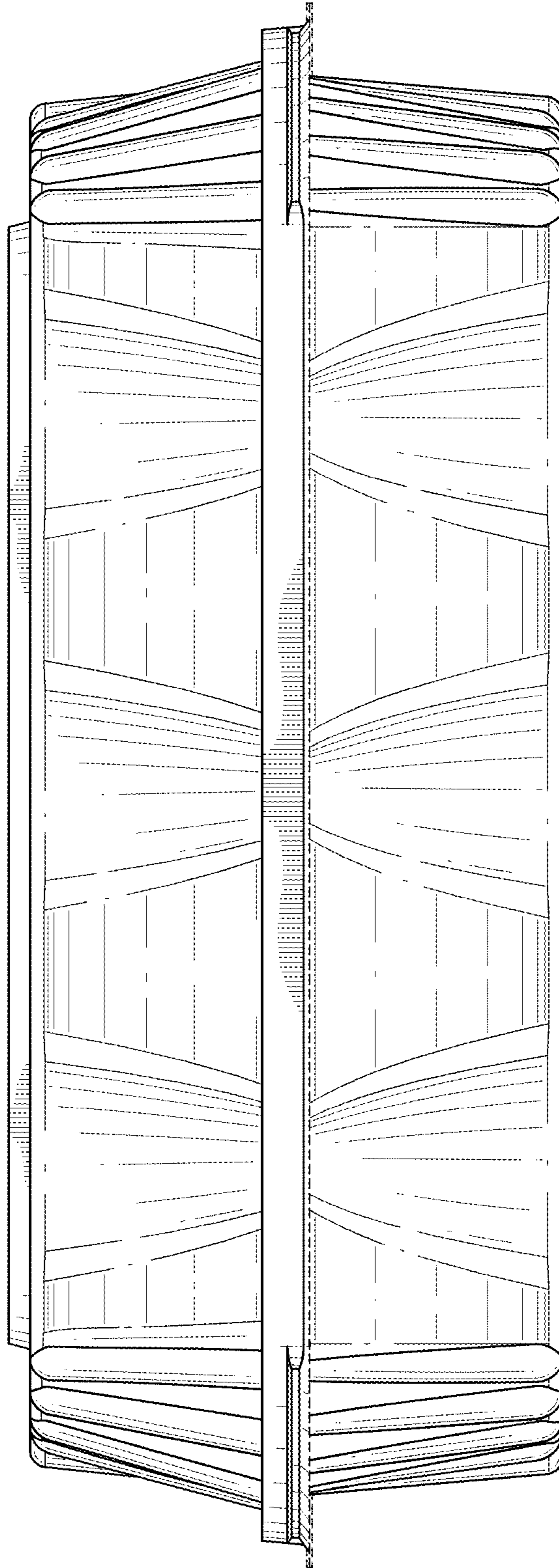


FIG. 4

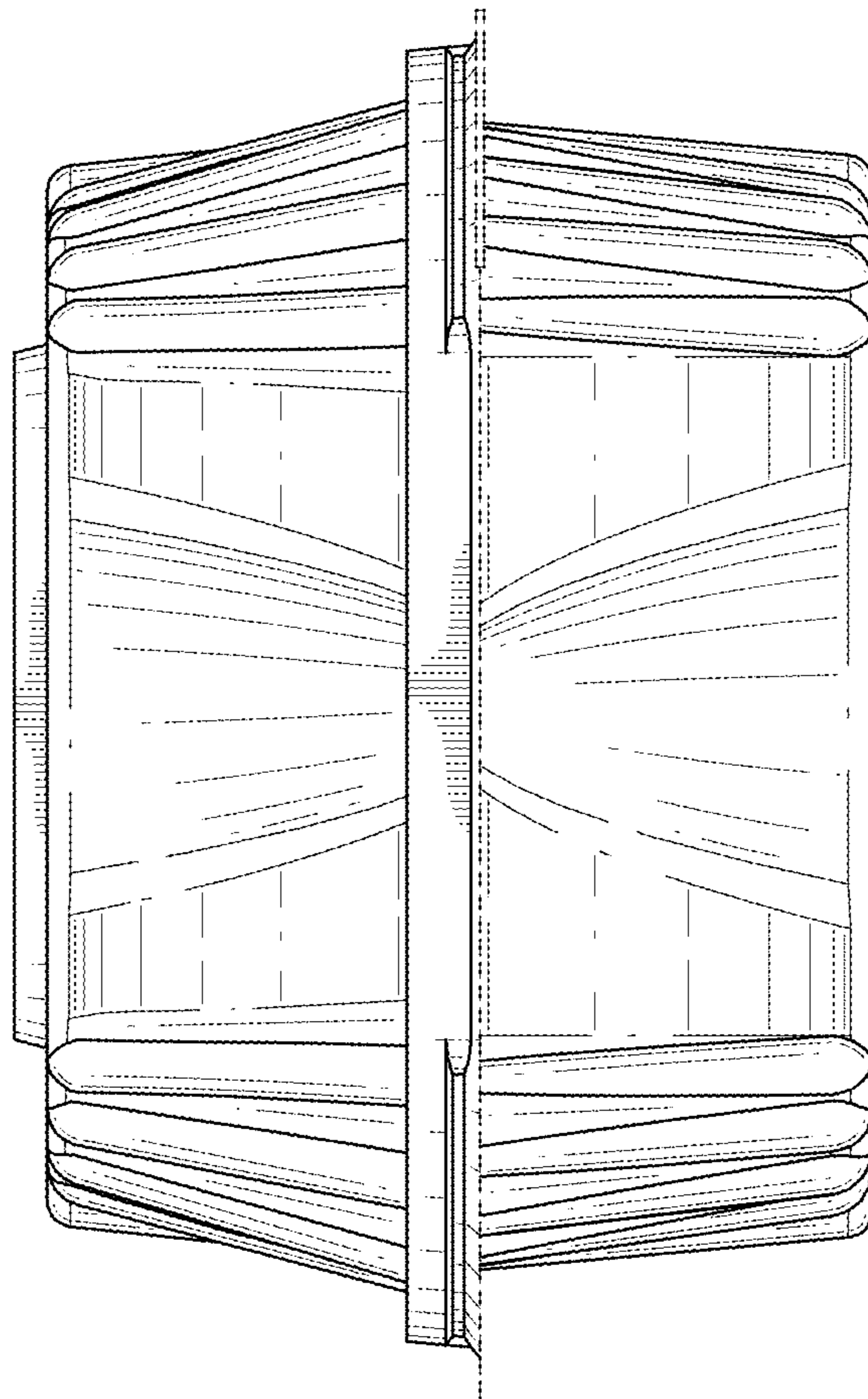


FIG. 5

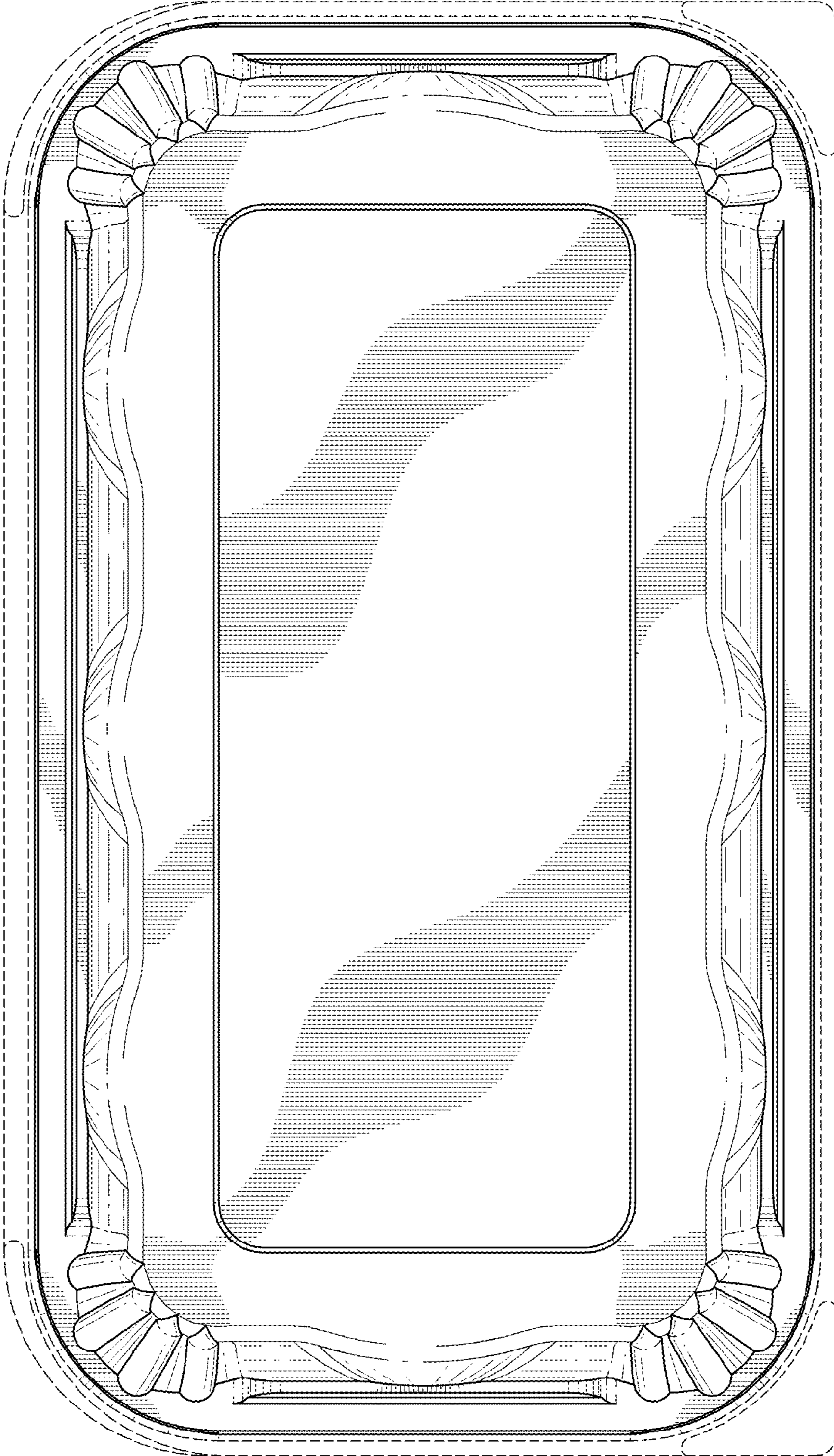


FIG. 6

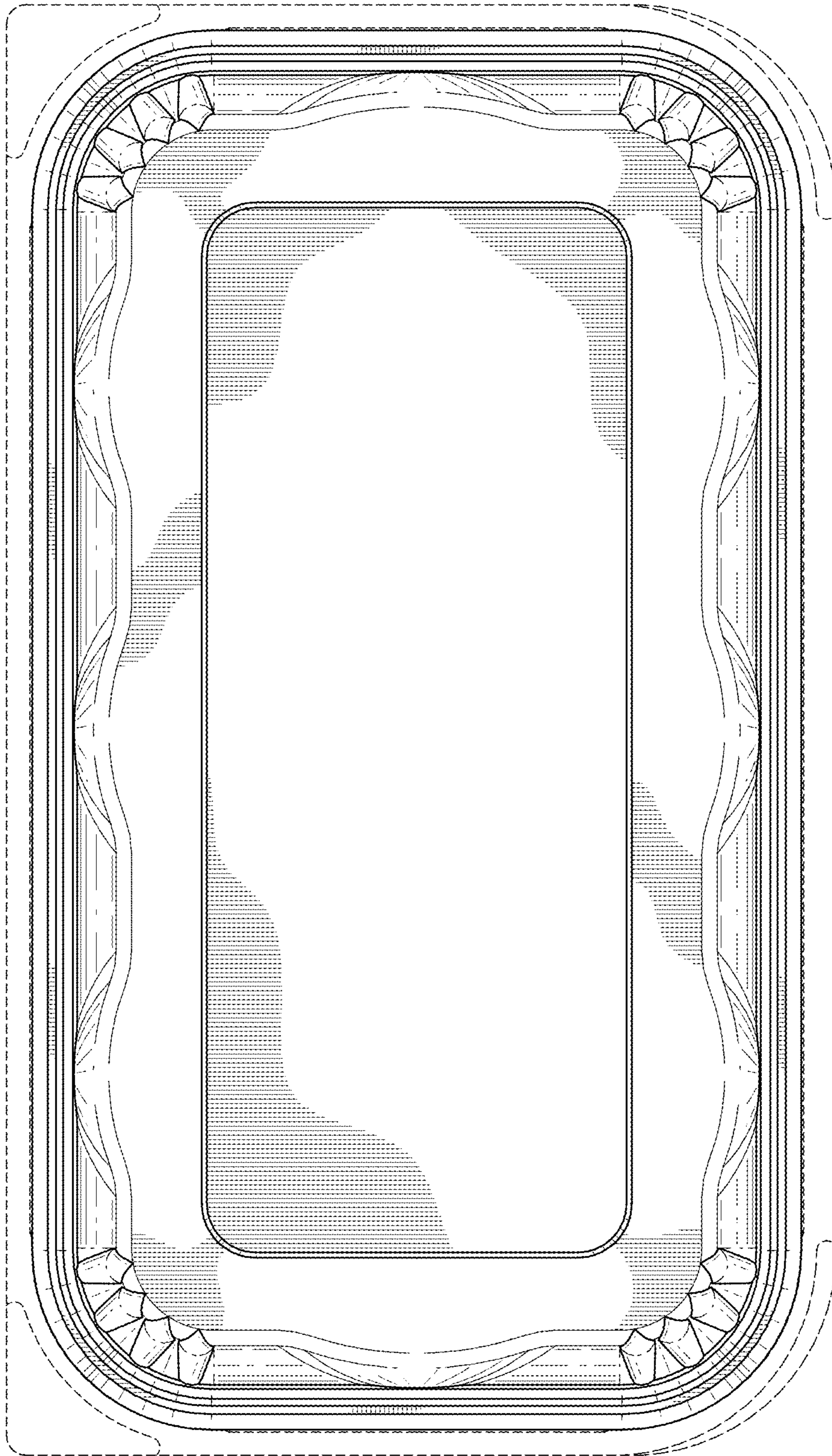


FIG. 7



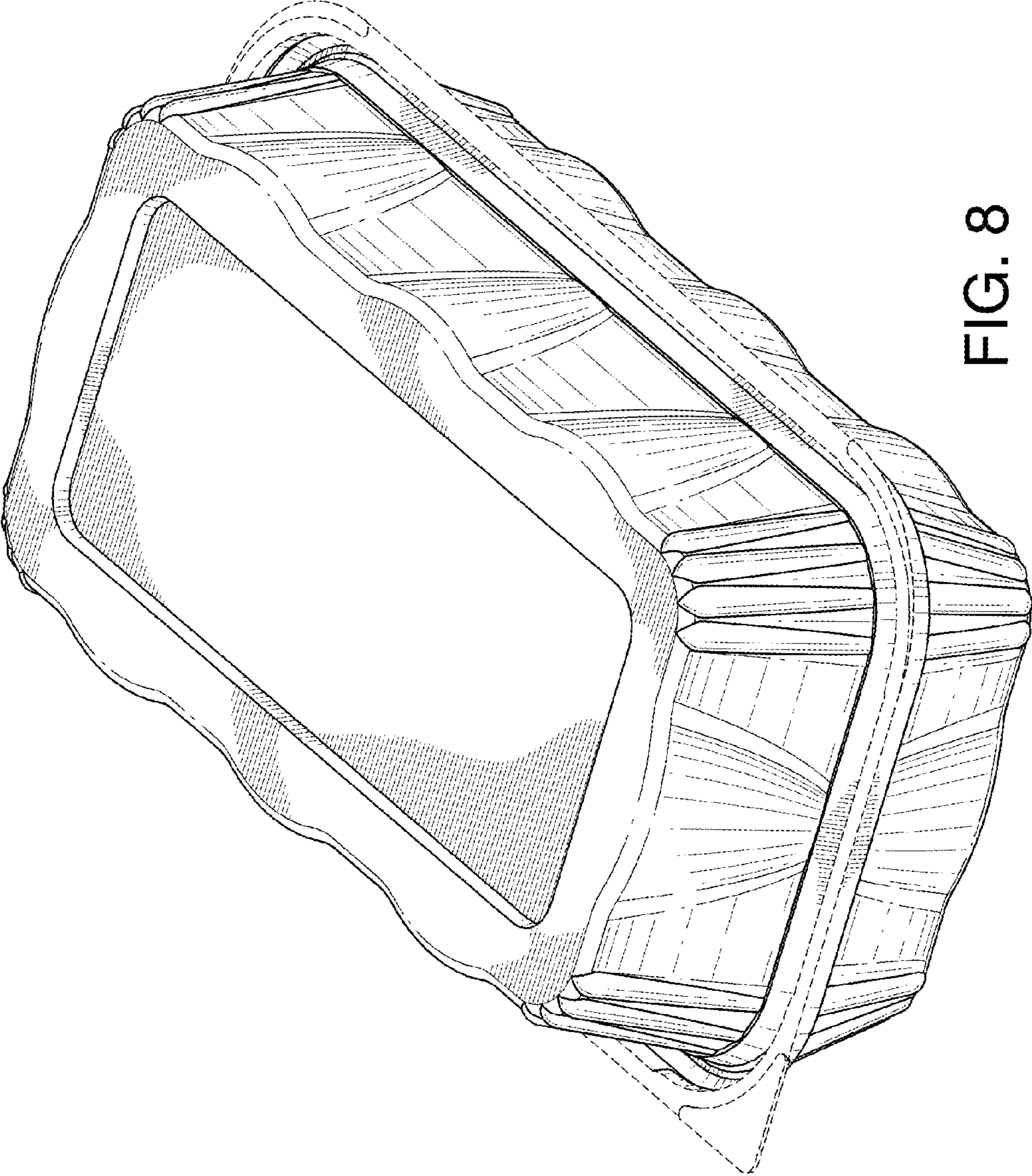


FIG. 8