



US00D694617S

(12) **United States Design Patent**
Liu

(10) **Patent No.:** **US D694,617 S**

(45) **Date of Patent:** **** *Dec. 3, 2013**

(54) **PACKAGING DEVICE**

(75) Inventor: **Scott P Liu**, Diamond Bar, CA (US)

(73) Assignee: **Thermosource Tooling and Manufacturing, Inc.**, El Segundo, CA (US)

(*) Notice: This patent is subject to a terminal disclaimer.

(**) Term: **14 Years**

(21) Appl. No.: **29/420,289**

(22) Filed: **May 7, 2012**

(51) **LOC (9) Cl.** **09-03**

(52) **U.S. Cl.**
USPC **D9/421**

(58) **Field of Classification Search**
USPC D9/414-416, 418-421, 423-428, D9/430-432, 434; D3/302, 314; 206/119, 206/464, 470, 508, 545, 806; 220/4.22-4.24, 574, 604-608, 659, 220/675, 781-782, 793, 835, 839, DIG. 14; 229/406, 407, 902; D7/396.1, 392.1, D7/394, 538, 543-545, 550.1, 551, 554.3, D7/587, 566, 584, 586, 629, 667; 221/191; D23/355-366; 219/725, 735

See application file for complete search history.

(56) **References Cited**

U.S. PATENT DOCUMENTS

4,576,330 A	3/1986	Schepp
4,643,329 A	2/1987	Mobberley et al.
4,771,934 A	9/1988	Kalmanides
4,886,204 A	12/1989	Kalmanides
4,942,974 A	7/1990	Larrison
4,949,527 A	8/1990	Boeckmann et al.
5,085,031 A	2/1992	McDonald
5,249,406 A	10/1993	Kalmanides

5,584,408 A	12/1996	Orkisz
5,613,607 A	3/1997	Kalmanides et al.
D396,804 S	8/1998	Orkisz
D398,227 S	9/1998	Orkisz
D398,525 S	9/1998	Orkisz
5,862,930 A	1/1999	Orkisz

(Continued)

FOREIGN PATENT DOCUMENTS

EP	2 030 908 A1	3/2009
EP	1 607 344 B1	8/2010
EP	1 725 469 B1	5/2011

Primary Examiner — Thomas Johannes

(74) *Attorney, Agent, or Firm* — Maceiko IP

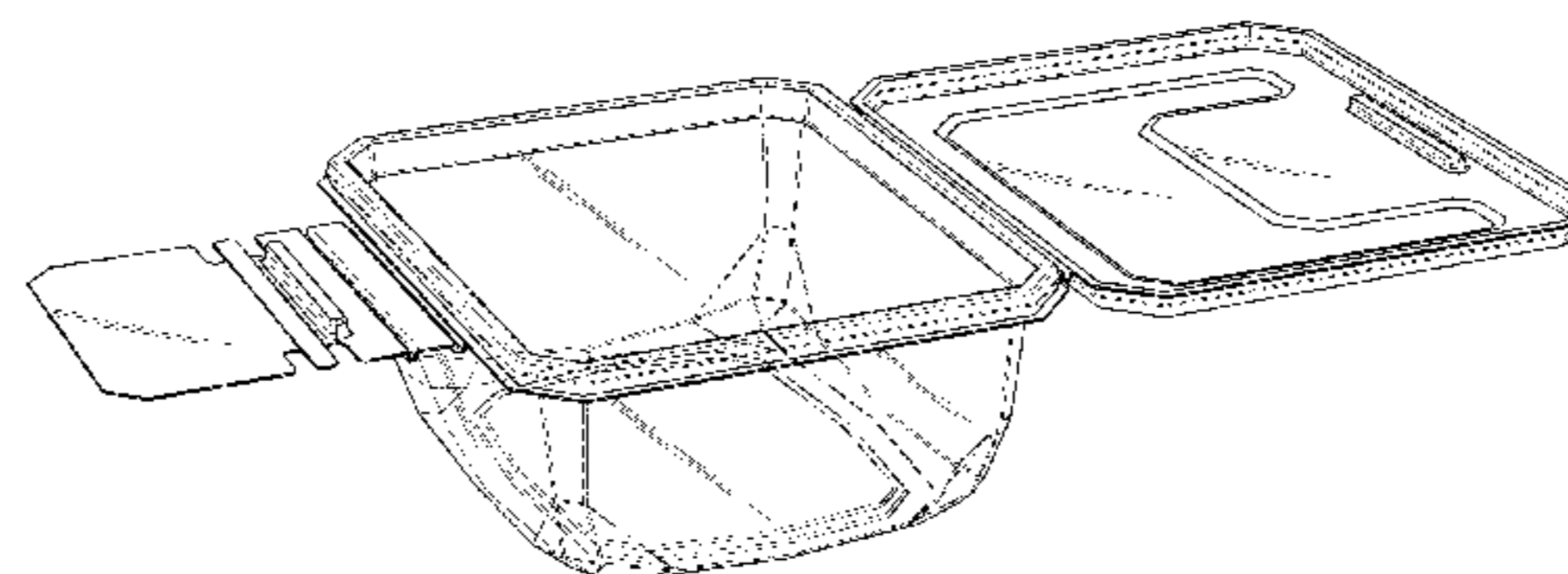
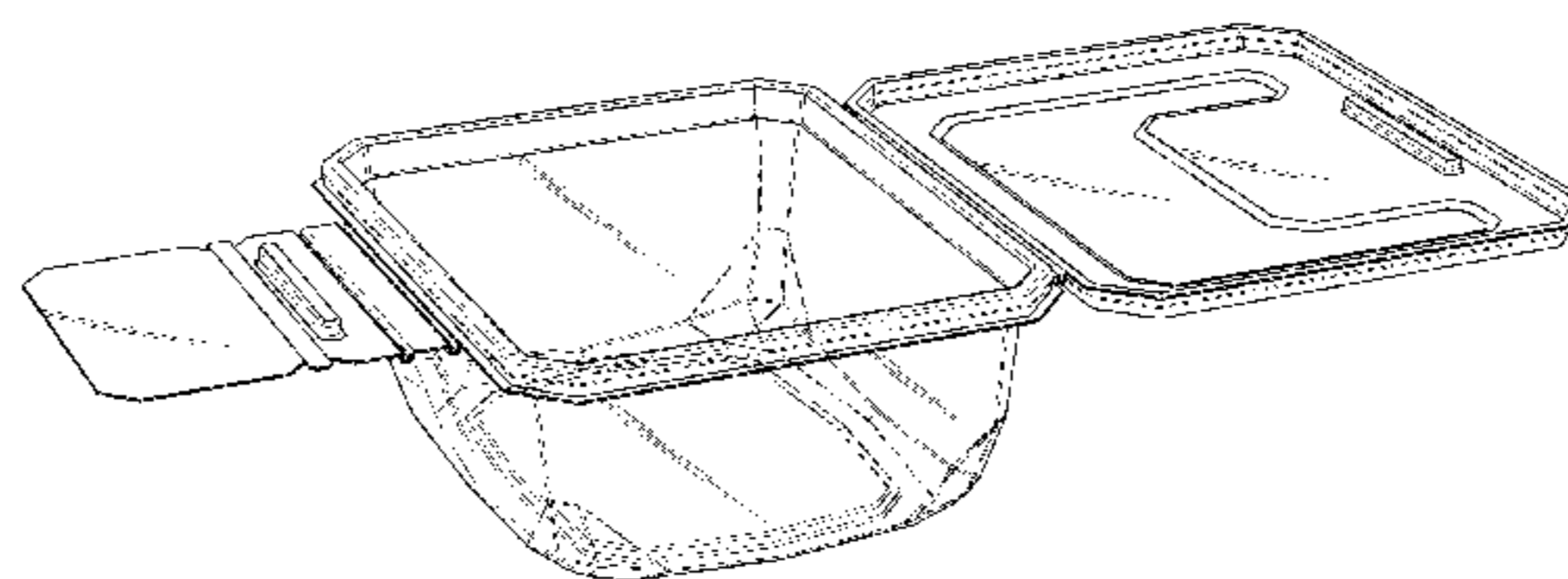
(57) **CLAIM**

The ornamental design for a packaging device, as shown and described.

DESCRIPTION

FIG. 1 is a perspective view of a first embodiment of a packaging device showing my new design.
 FIG. 2 is a top view thereof.
 FIG. 3 is a bottom view thereof.
 FIG. 4 is a right side view thereof.
 FIG. 5 is a left side view thereof.
 FIG. 6 is a rear view thereof.
 FIG. 7 is a front view thereof.
 FIG. 8 is a perspective view thereof in an open position.
 FIG. 9 is a perspective view of a second embodiment of a packaging device showing my new design.
 FIG. 10 is a top view thereof.
 FIG. 11 is a bottom view thereof.
 FIG. 12 is a right side view thereof.
 FIG. 13 is a left side view thereof.
 FIG. 14 is a rear view thereof.
 FIG. 15 is a front view thereof; and,
 FIG. 16 is a perspective view thereof in an open position.

1 Claim, 10 Drawing Sheets



(56)

References Cited

U.S. PATENT DOCUMENTS

D424,432 S 5/2000 Knutson et al.
 D428,332 S 7/2000 Knutson
 D437,220 S 2/2001 Knutson et al.
 6,320,172 B1 11/2001 Watkins
 6,554,147 B1 4/2003 Maida et al.
 6,586,715 B2 7/2003 Watkins
 D502,096 S 2/2005 Wilcock et al.
 6,870,145 B2 3/2005 Watkins
 D504,281 S 4/2005 Duggan
 6,906,299 B2 6/2005 Watkins
 7,022,955 B2 4/2006 Watkins
 7,073,680 B2 7/2006 Boback et al.
 7,118,003 B2 10/2006 Sellari et al.
 7,137,418 B2 11/2006 Robledo et al.
 D533,059 S 12/2006 Knutson et al.
 D547,178 S 7/2007 Shaver et al.
 D556,569 S 12/2007 Stein et al.
 D562,678 S 2/2008 Shaver et al.
 D578,876 S 10/2008 Ambelang et al.
 D589,790 S 4/2009 Shaver et al.
 D601,015 S 9/2009 Shaver et al.
 D605,501 S 12/2009 Pham et al.

D612,232 S 3/2010 Shaver et al.
 7,744,517 B2 6/2010 Bonenfant
 D621,699 S 8/2010 Shaver et al.
 D628,477 S 12/2010 Shaver et al.
 D628,478 S 12/2010 Snedden et al.
 D628,479 S 12/2010 Snedden et al.
 D634,188 S 3/2011 Sellari et al.
 D634,617 S 3/2011 Sellari et al.
 D637,481 S 5/2011 Sellari et al.
 D640,550 S 6/2011 Snedden et al.
 D641,616 S * 7/2011 Prevost D9/420
 8,028,851 B2 10/2011 Vovan et al.
 8,083,089 B2 12/2011 Vovan
 D654,787 S * 2/2012 Kissner et al. D9/420
 8,113,377 B2 2/2012 Solowiejko
 D664,425 S * 7/2012 Krupa D9/420
 D673,847 S * 1/2013 Barbier D9/420
 D675,517 S * 2/2013 Garza D9/424
 2007/0045317 A1 3/2007 Rosender et al.
 2008/0087669 A2 4/2008 Boback et al.
 2009/0193766 A1 8/2009 Dyke et al.
 2010/0140267 A1 6/2010 Sellari et al.
 2010/0181323 A1 7/2010 Thaler et al.
 2011/0036842 A1 2/2011 Sellari et al.
 2012/0152954 A1 6/2012 Bruehl et al.

* cited by examiner

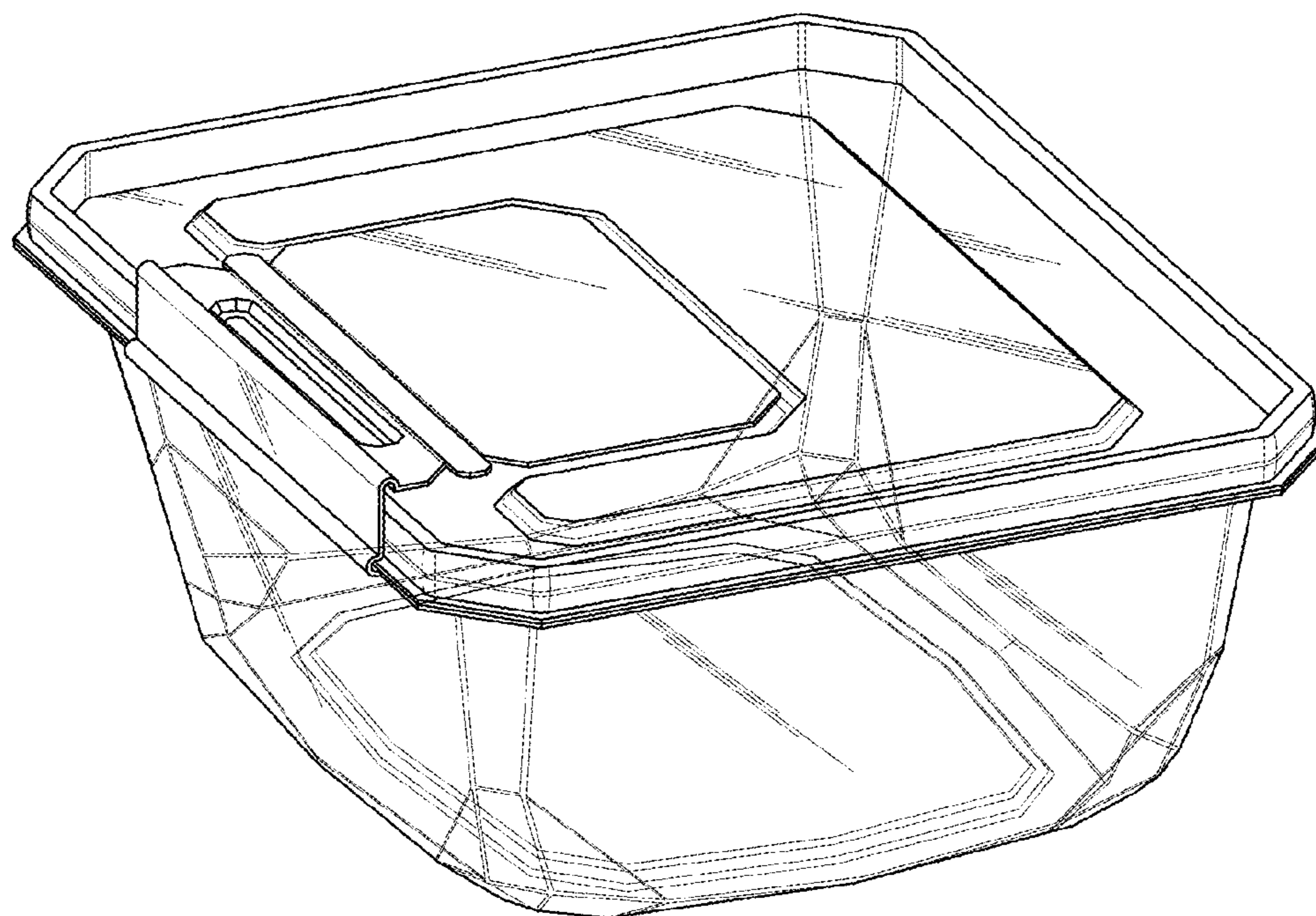


FIG. 1

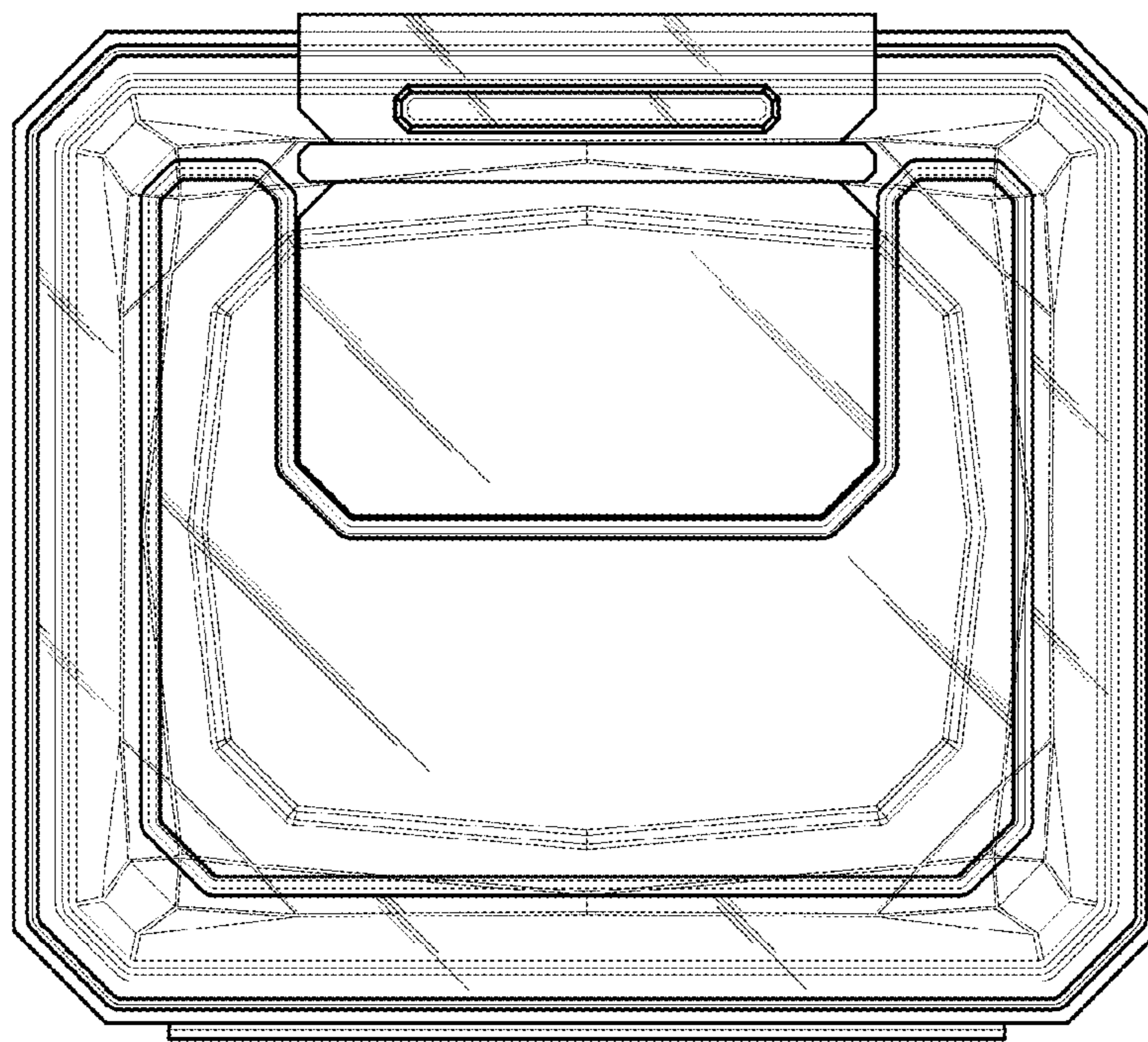


FIG. 2

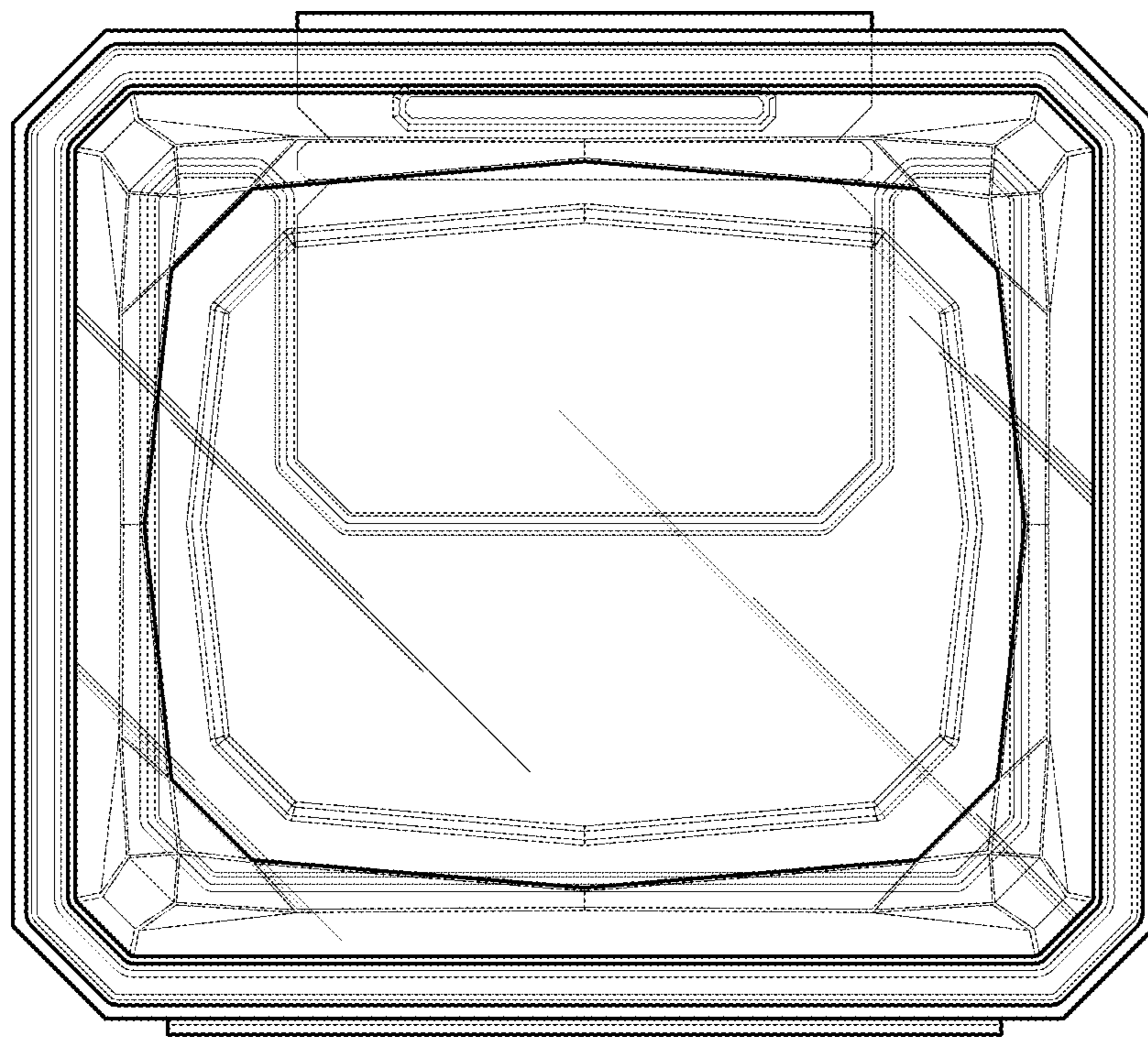


FIG. 3

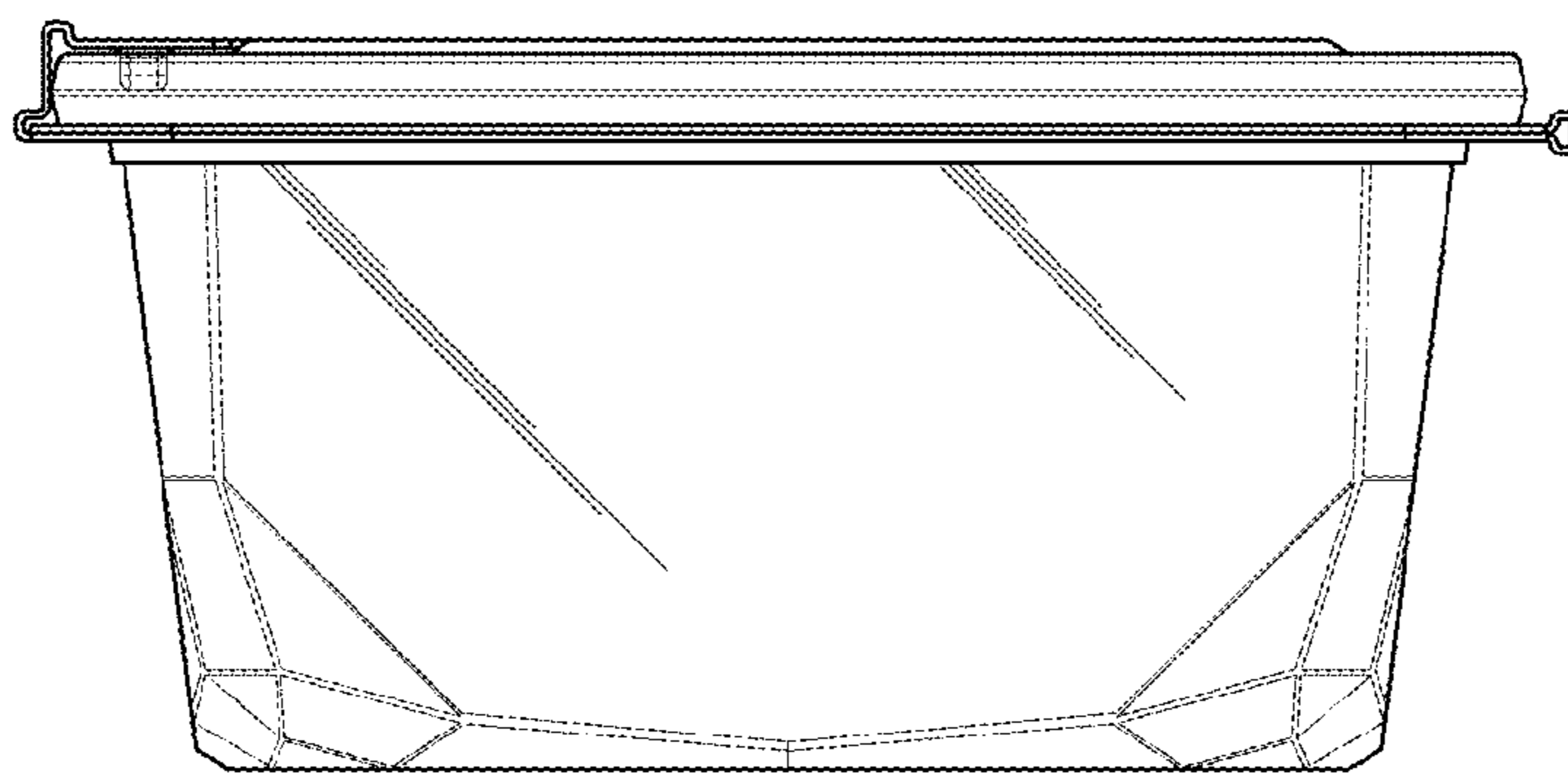


FIG. 4

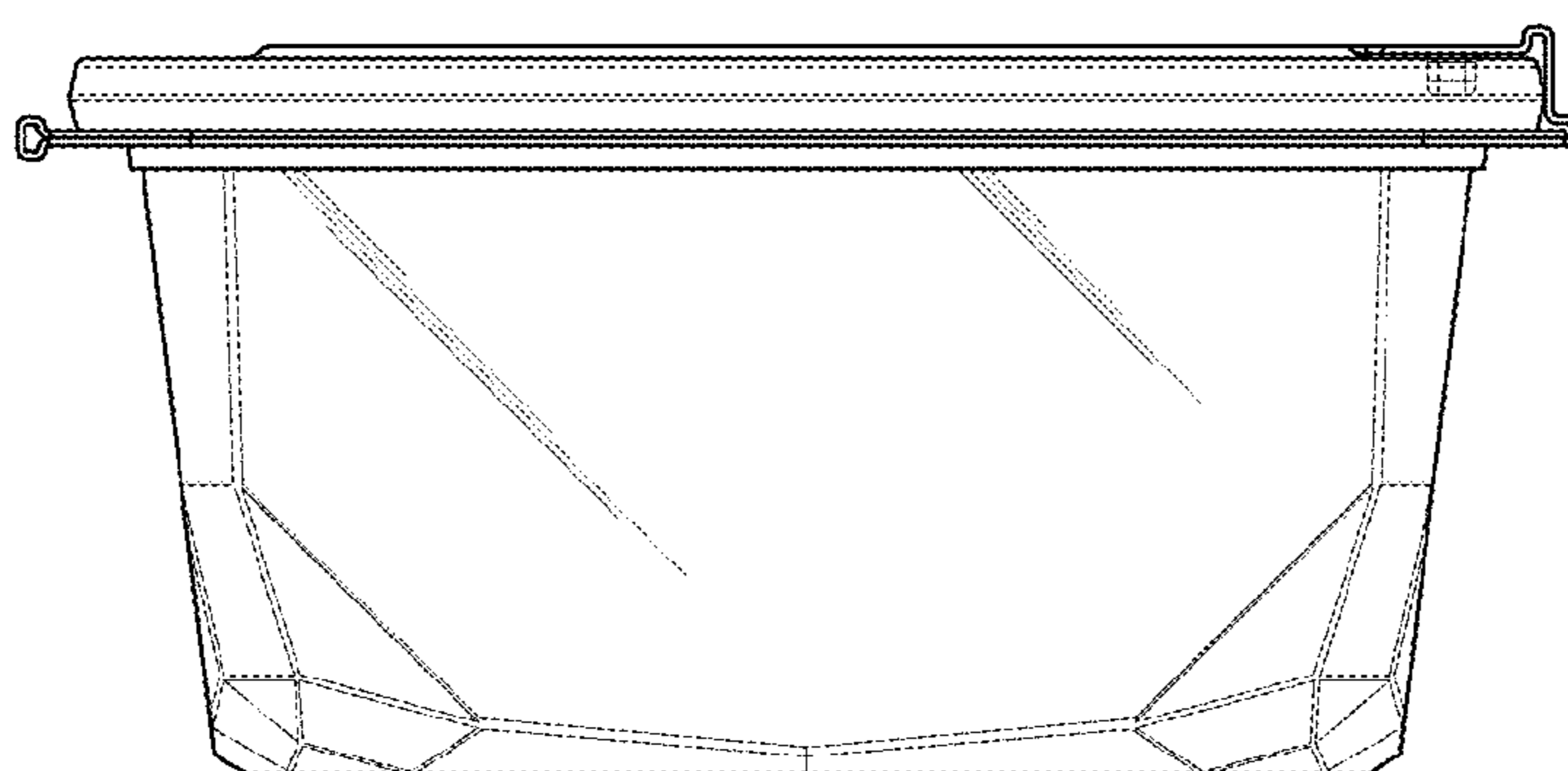


FIG. 5

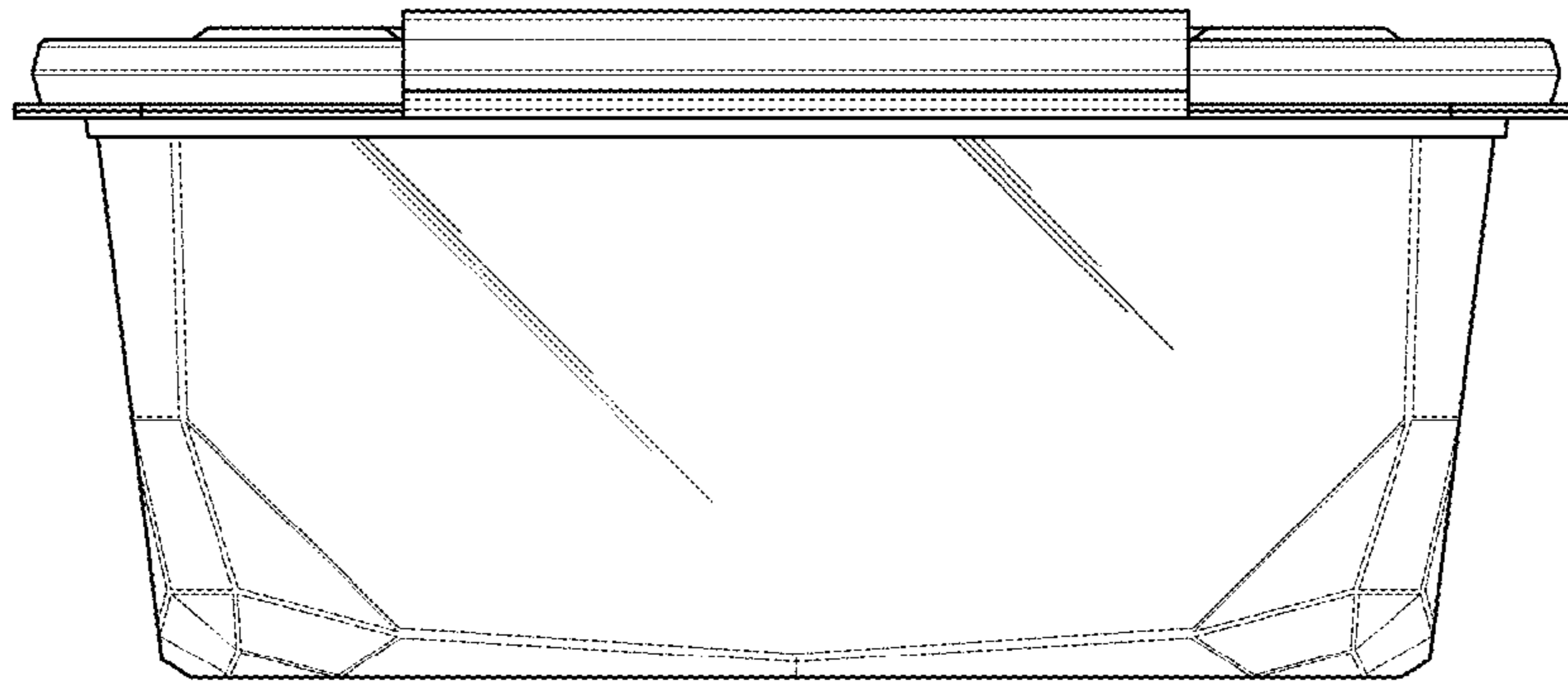


FIG. 6

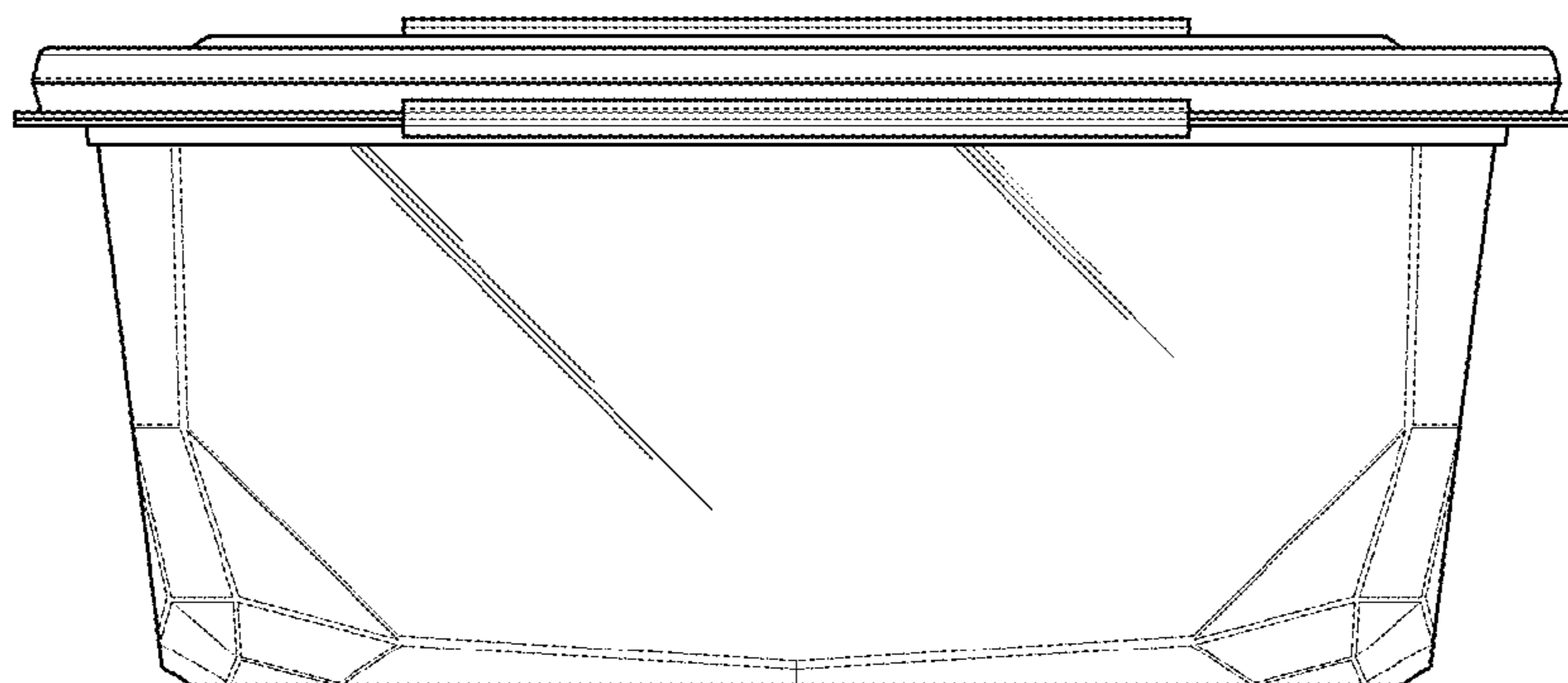


FIG. 7

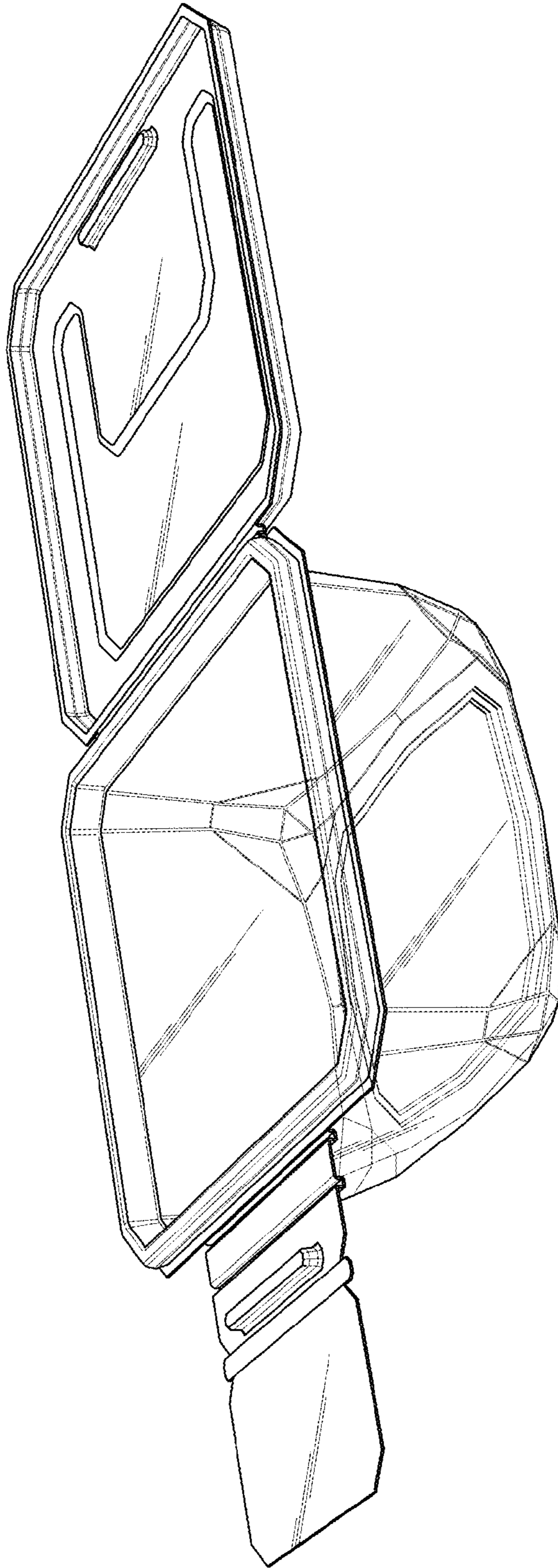


FIG. 8

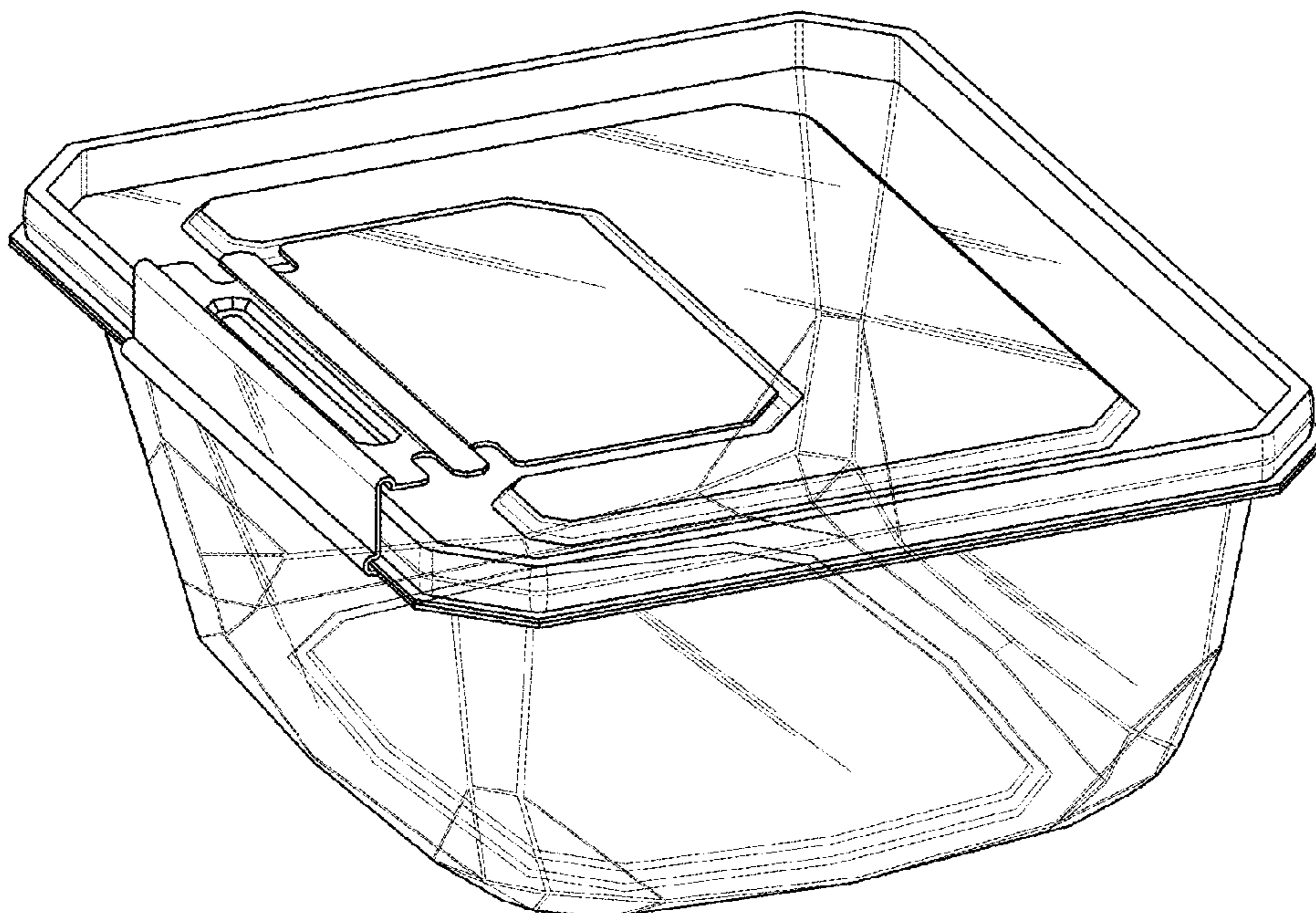


FIG. 9

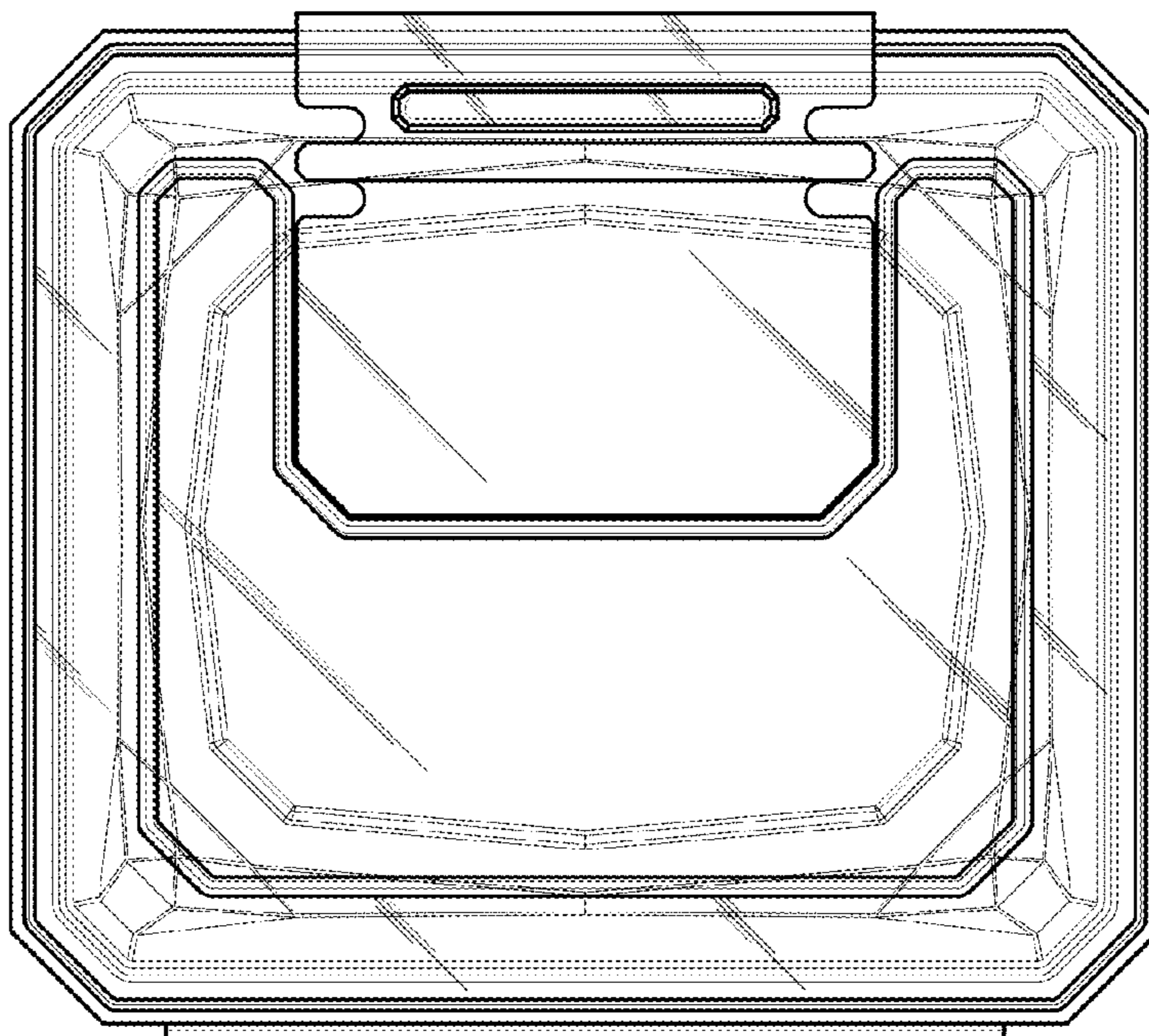


FIG. 10

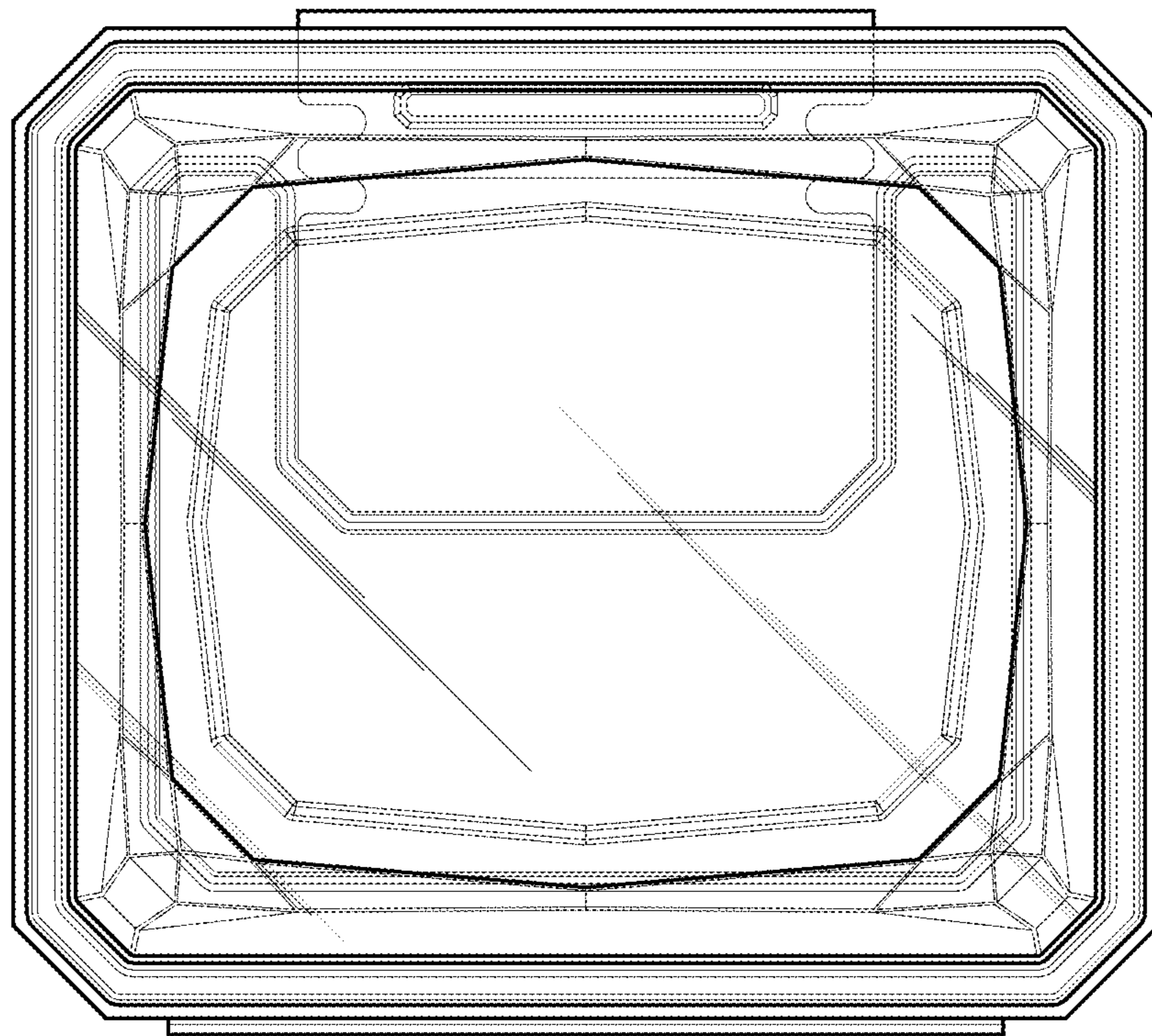


FIG. 11

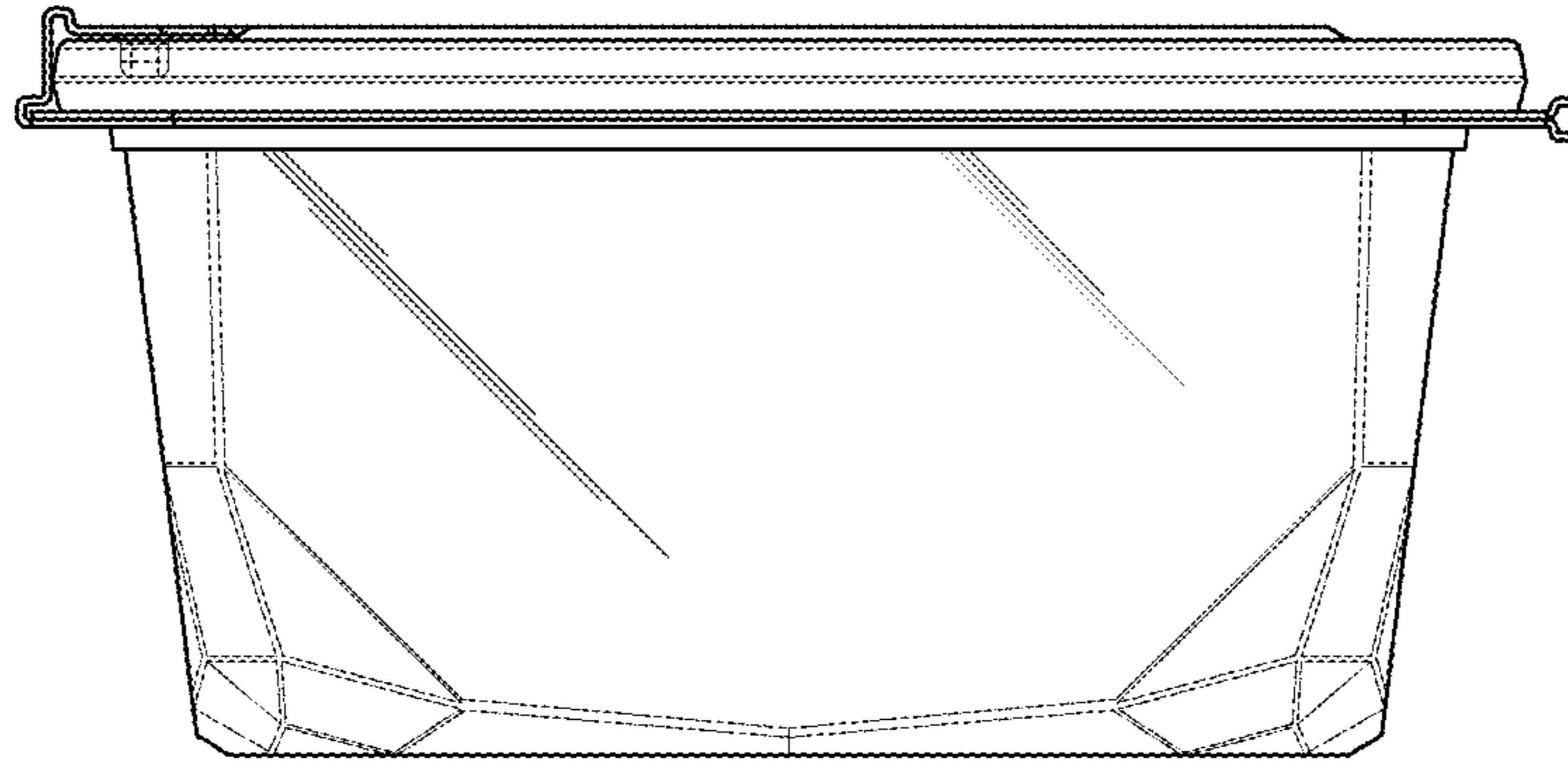


FIG. 12

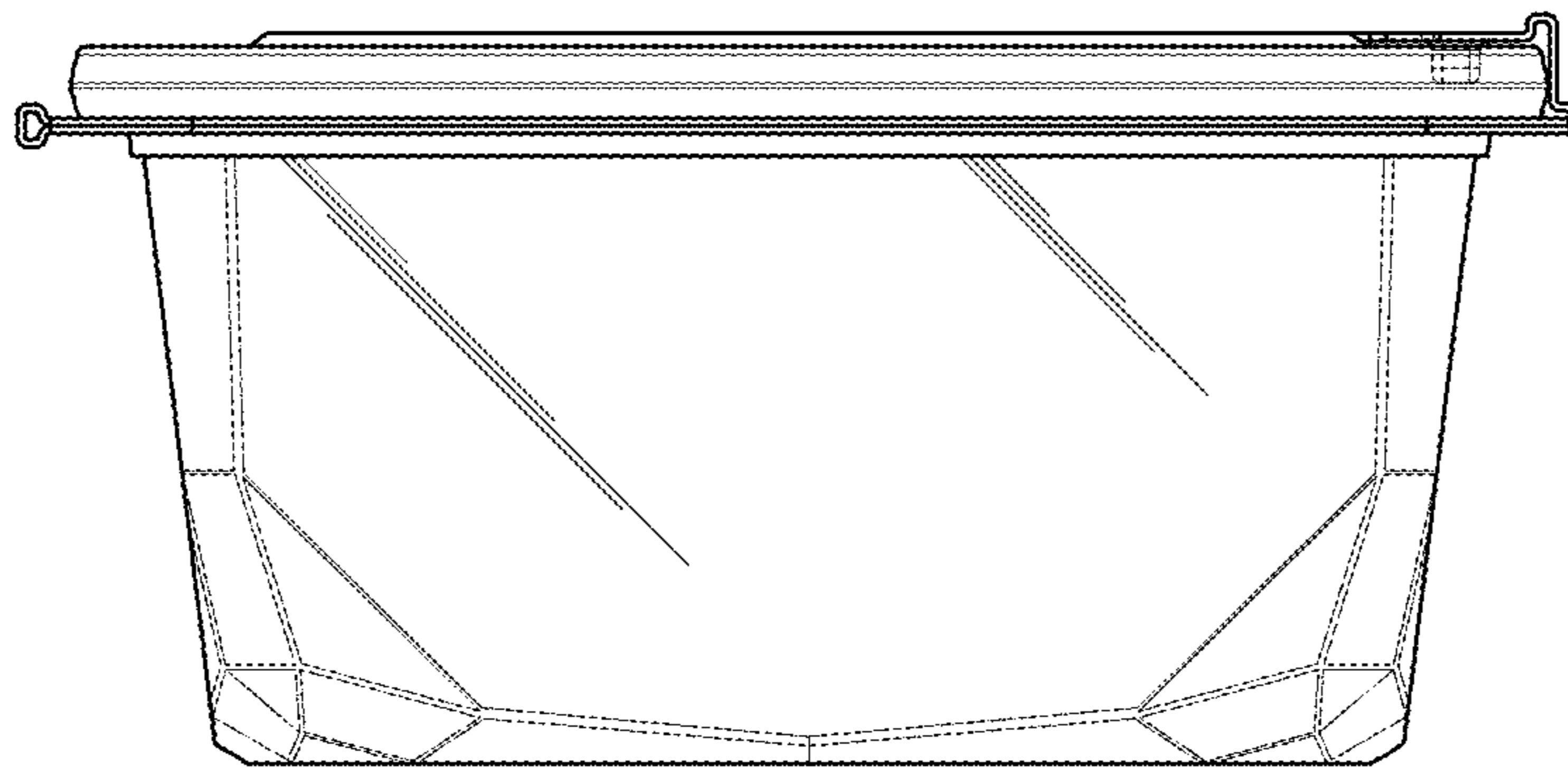


FIG. 13

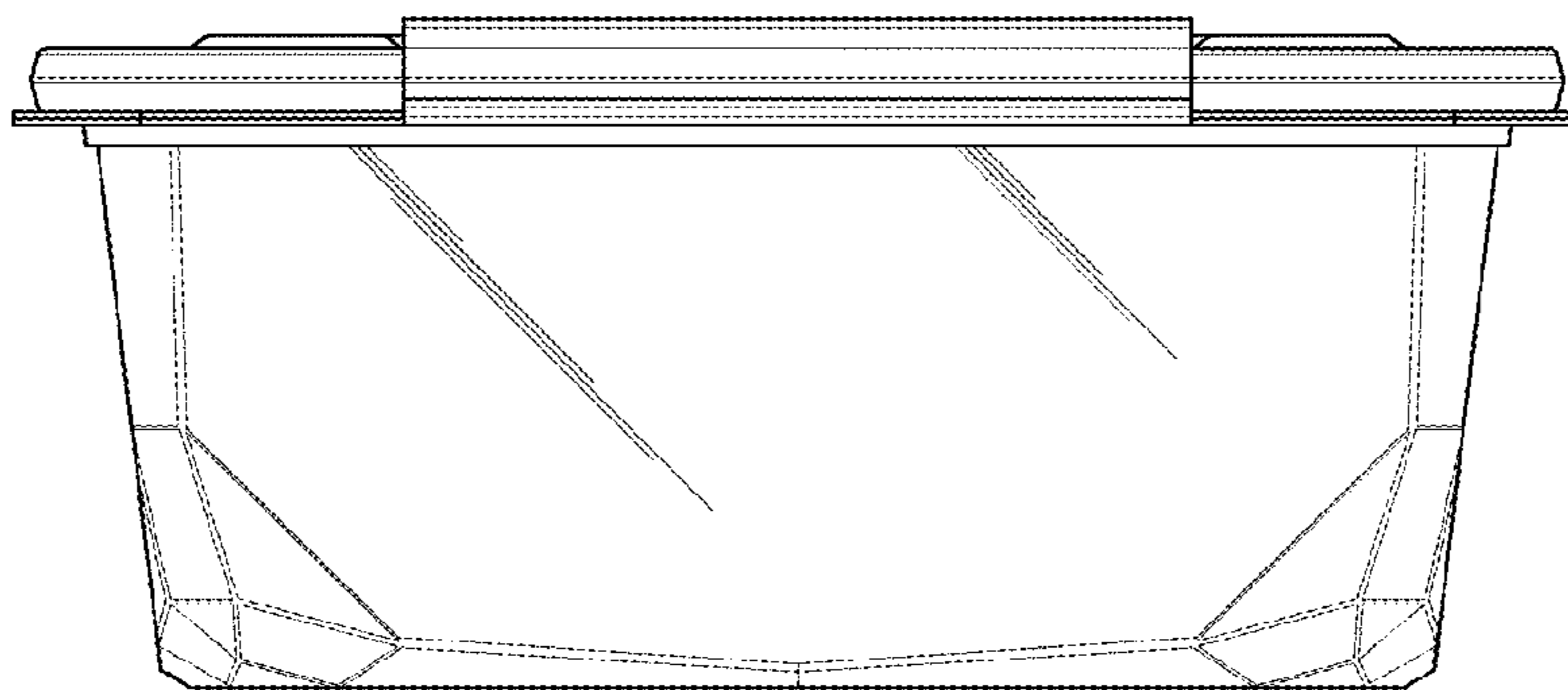


FIG. 14

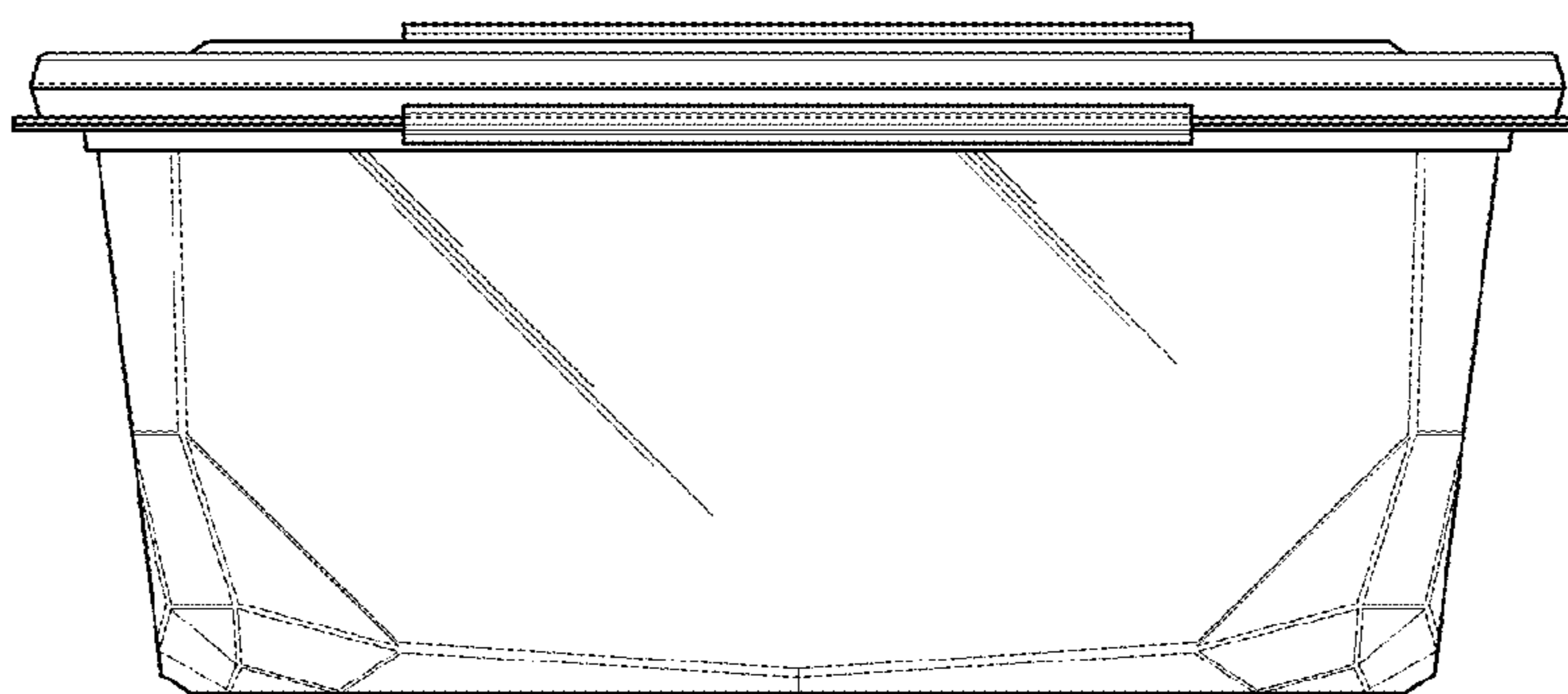


FIG. 15

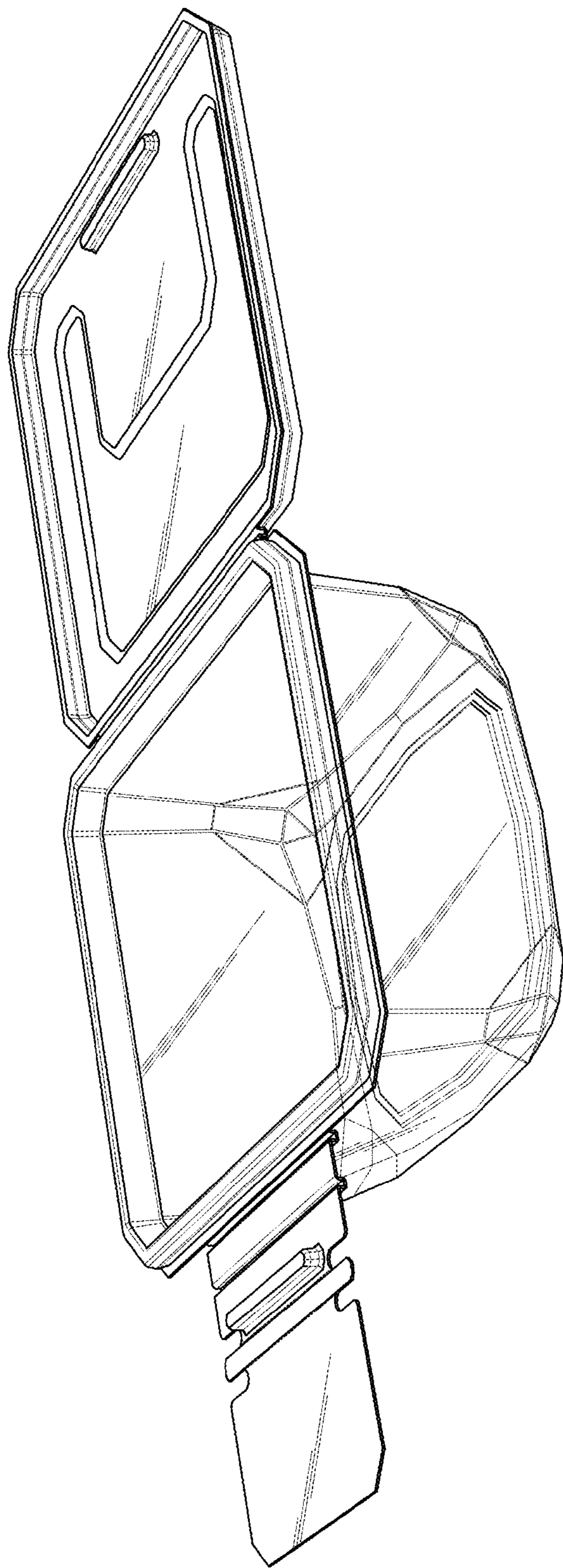


FIG. 16