



US00D694616S

(12) **United States Design Patent**
Prevost

(10) **Patent No.:** **US D694,616 S**
(45) **Date of Patent:** **** Dec. 3, 2013**

- (54) **CLAMSHELL PACKAGE**
- (71) Applicant: **Pierre Marcel Prevost**, West Vancouver (CA)
- (72) Inventor: **Pierre Marcel Prevost**, West Vancouver (CA)
- (**) Term: **14 Years**
- (21) Appl. No.: **29/458,068**
- (22) Filed: **Jun. 14, 2013**
- (51) **LOC (9) Cl.** **09-03**
- (52) **U.S. Cl.**
USPC **D9/420**
- (58) **Field of Classification Search**
USPC D9/414-416, 418-421, 423-428, D9/430-432, 434; D3/302, 314; 206/119, 206/464, 470, 508, 545, 806; 220/4.22-4.24, 574, 604-608, 659, 220/675, 781-782, 793, 835, 839, DIG. 14; 229/406, 407, 902; D7/396.1, 392.1, D7/394, 538, 543-545, 550.1, 551, 554.3, D7/587, 566, 584, 586, 629, 667; 221/191; D23/355-366; 219/725, 735
See application file for complete search history.

4,986,438 A	1/1991	Borst	
D331,361 S	12/1992	Langolf	
D338,619 S	8/1993	Mylander et al.	
D368,027 S *	3/1996	Baker	D9/415
5,699,913 A	12/1997	Richardson	
5,775,516 A	7/1998	McCumber et al.	
D411,448 S	6/1999	Baker	
5,964,350 A	10/1999	LaMarche et al.	
6,007,854 A	12/1999	Cadiente et al.	
6,053,321 A	4/2000	Kayser	
D428,331 S	7/2000	MacTavish	
D429,462 S	8/2000	Kumakura et al.	
D473,137 S	4/2003	Cadiente et al.	
D478,002 S	8/2003	Lin	
D503,336 S *	3/2005	Tucker et al.	D9/425
D524,642 S	7/2006	Suckle et al.	
D531,798 S	11/2006	Ringo	
D552,465 S *	10/2007	Ringo	D9/415
D569,243 S	5/2008	Kidd et al.	

(Continued)

Primary Examiner — Thomas Johannes
(74) *Attorney, Agent, or Firm* — C. Larry Kyle; Nexus Law Group LLP

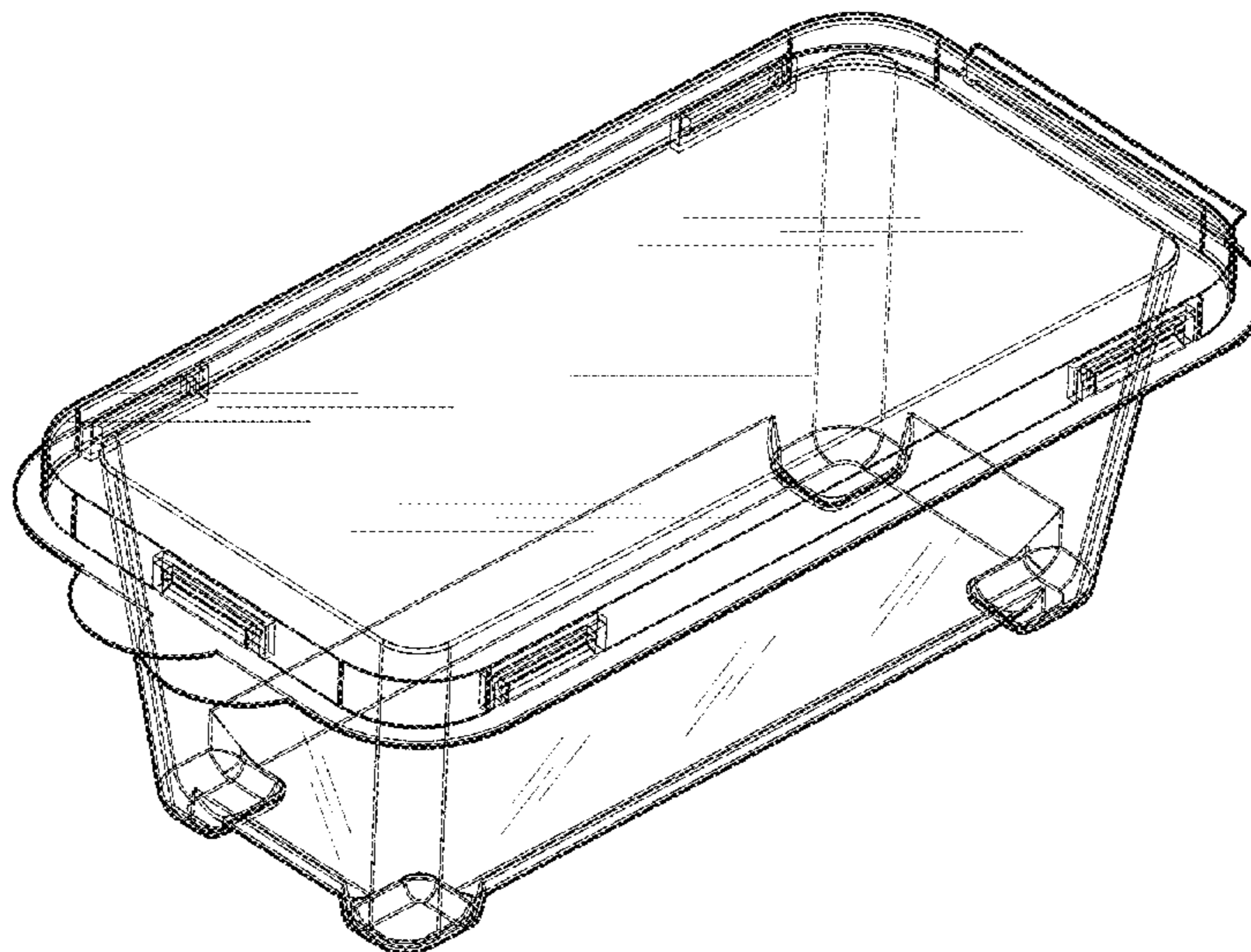
(57) **CLAIM**
The ornamental design for a clamshell package, as shown and described.

DESCRIPTION

FIG. 1 is a top perspective view of my clamshell package in a closed position taken from the front right; FIG. 2 is a right side view thereof in a closed position; FIG. 3 is a left side view thereof in a closed position; FIG. 4 is a front view thereof in a closed position; FIG. 5 is a rear view thereof in a closed position; FIG. 6 is a top view thereof in a closed position; FIG. 7 is a bottom view thereof in a closed position; and, FIG. 8 is a top perspective view thereof in an open position taken from the front right.

1 Claim, 4 Drawing Sheets

- (56) **References Cited**
U.S. PATENT DOCUMENTS
- 2,780,385 A 2/1957 Tupper
- 3,082,903 A 3/1963 Stevens et al.
- 3,391,783 A 7/1968 Gantz
- D222,582 S 11/1971 Petrie
- 4,193,496 A 3/1980 Barratt
- 4,202,464 A 5/1980 Mohs et al.
- 4,687,129 A 8/1987 Cugley
- 4,724,964 A 2/1988 Hernandez
- D305,000 S 12/1989 Hernandez
- D309,213 S 7/1990 Chaney



US D694,616 S

Page 2

(56)

References Cited

U.S. PATENT DOCUMENTS

D579,326 S 10/2008 Chen
D598,740 S 8/2009 Auer
D606,392 S 12/2009 Prevost
D615,858 S 5/2010 Prevost

D631,337 S 1/2011 Prevost
D631,338 S 1/2011 Prevost
D641,616 S * 7/2011 Prevost D9/420
8,083,089 B2 * 12/2011 Vovan 220/359.2
2006/0042986 A1 3/2006 Simkowski
2008/0006627 A1 * 1/2008 Goldman et al. 220/4.22
2009/0283520 A1 * 11/2009 Goldman et al. 220/4.23

* cited by examiner

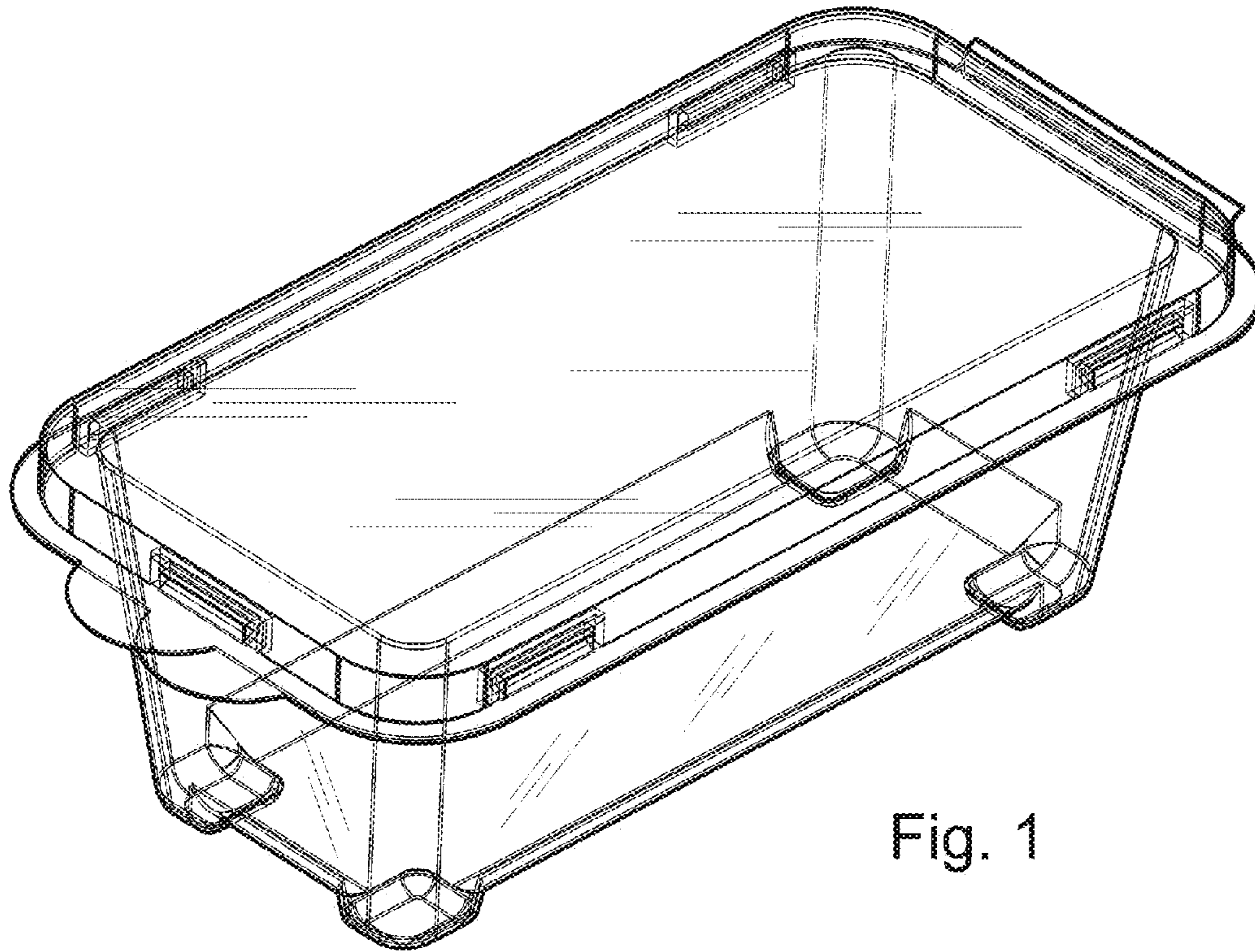


Fig. 1

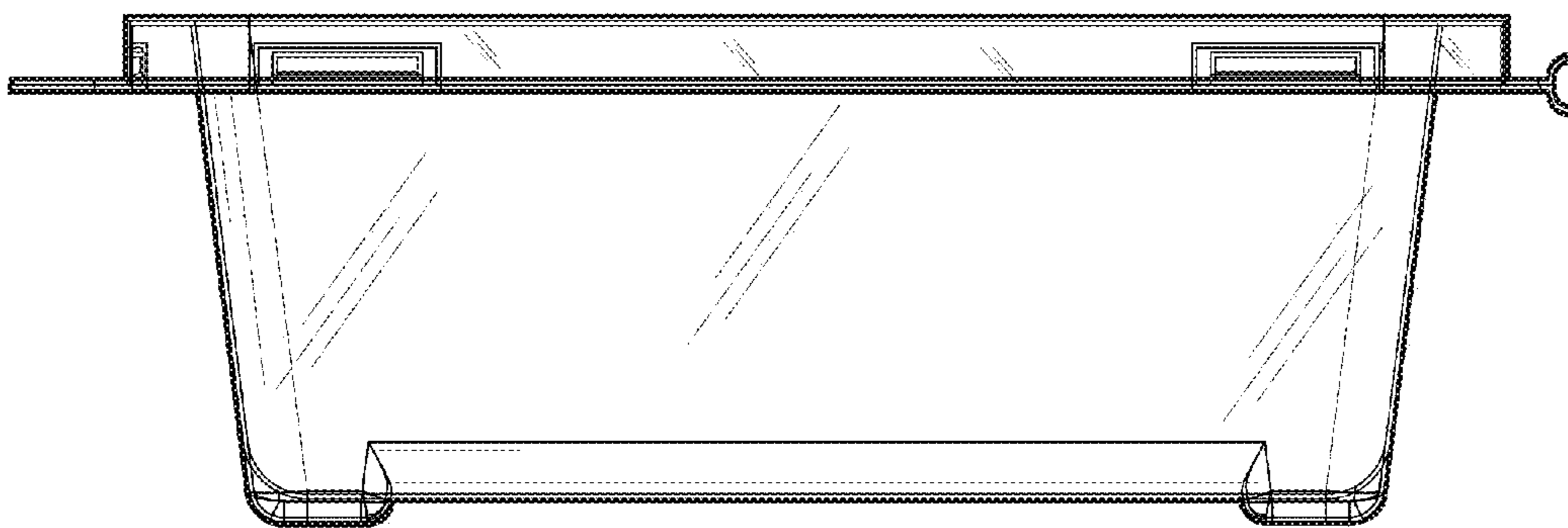


Fig. 2

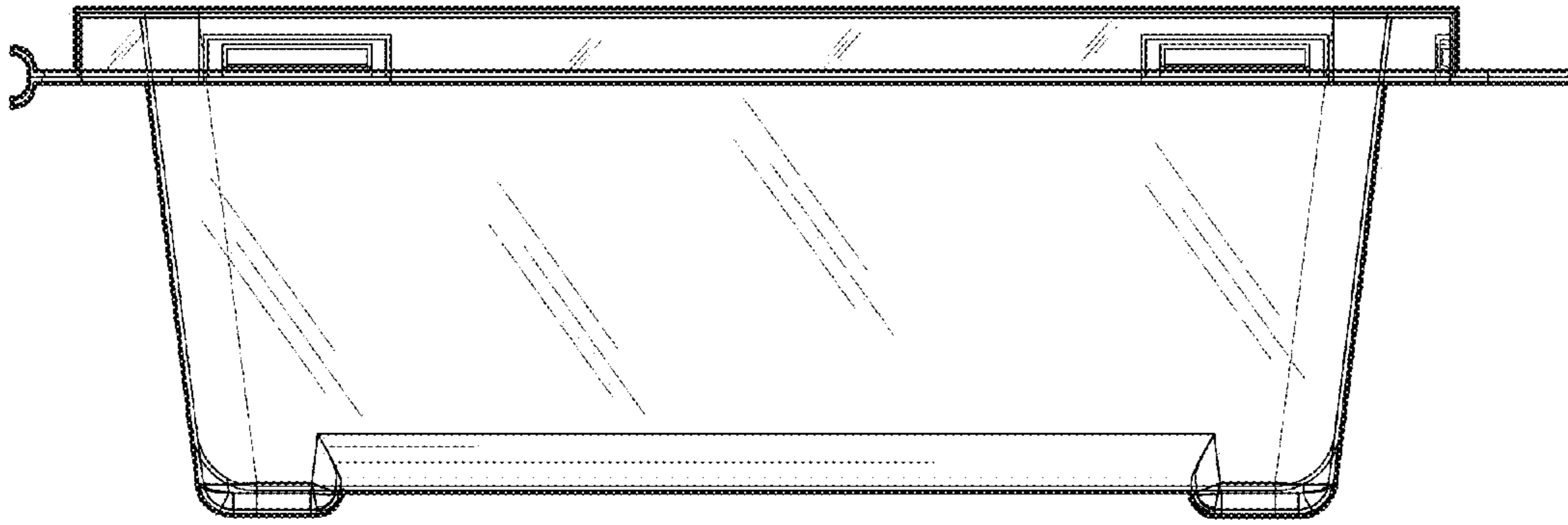


Fig. 3

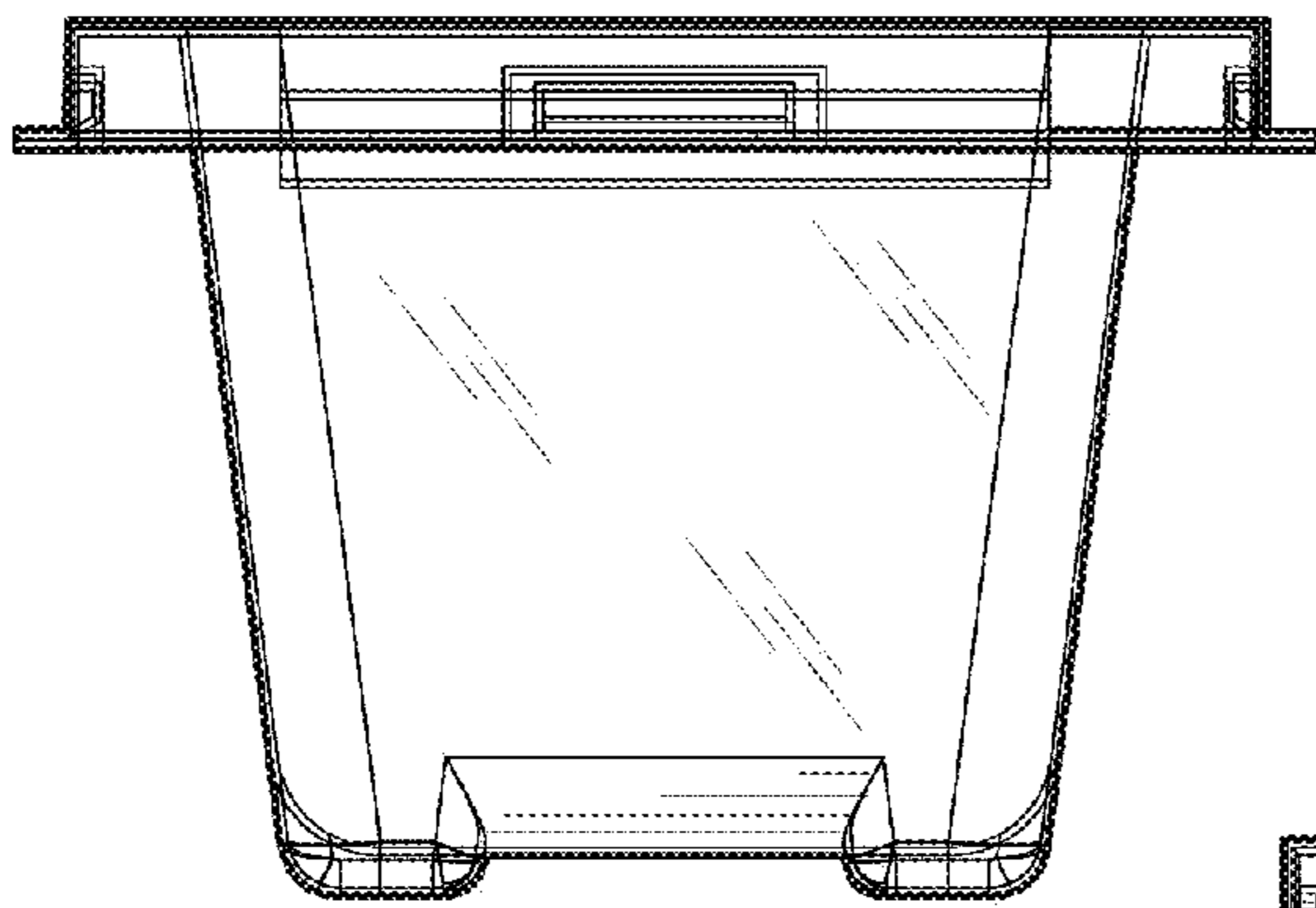


Fig. 4

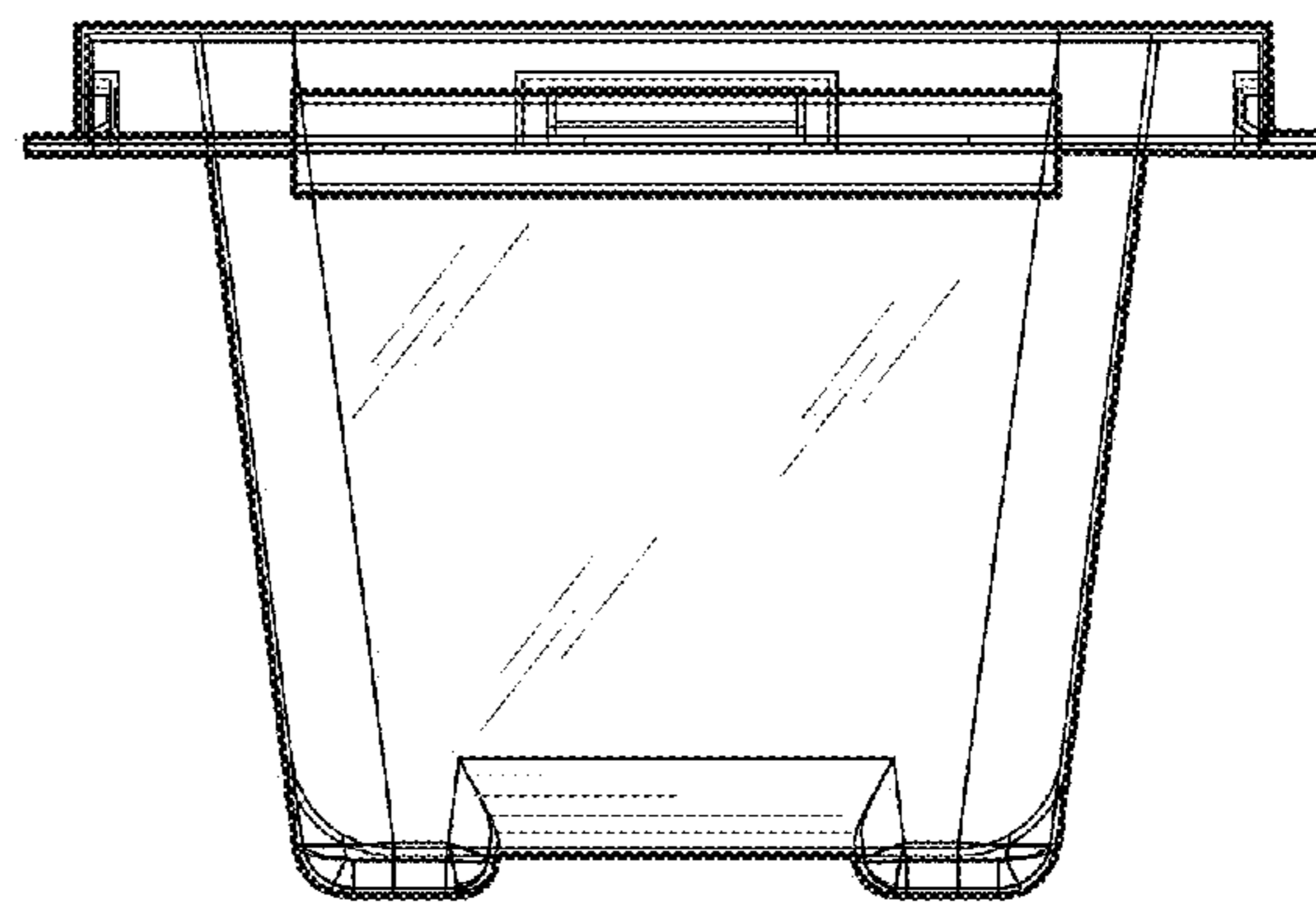


Fig. 5

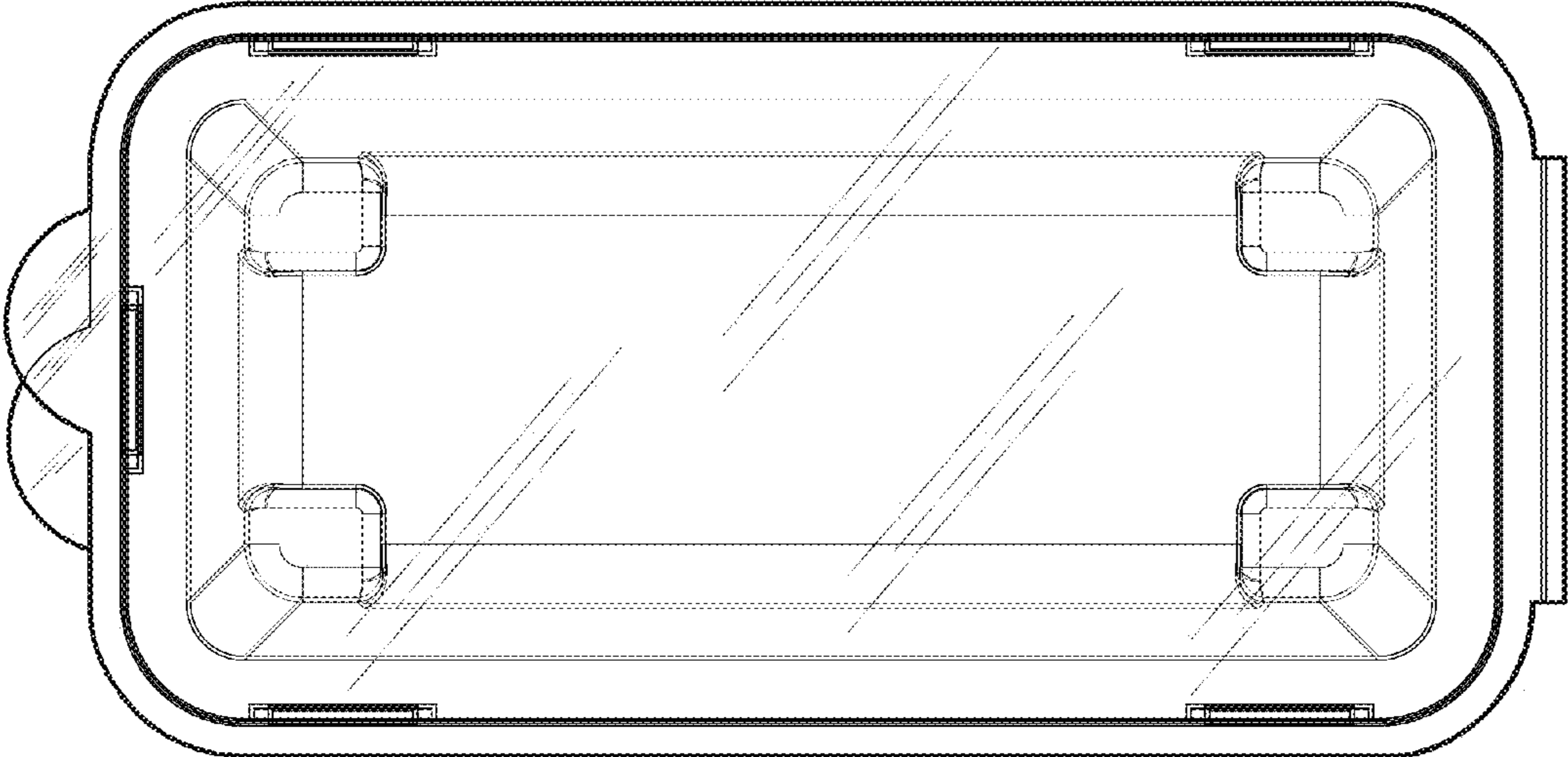


Fig. 6

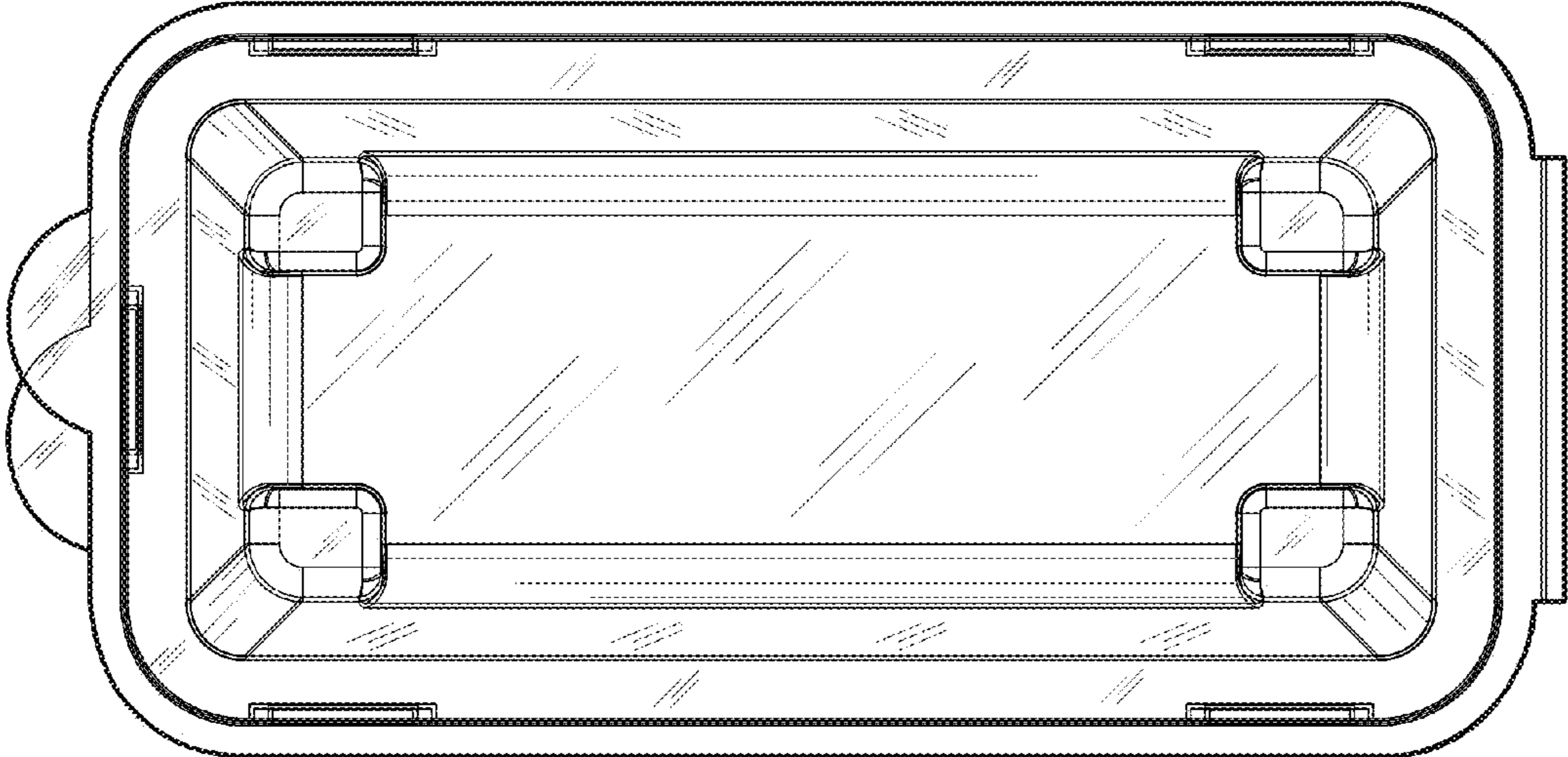


Fig. 7

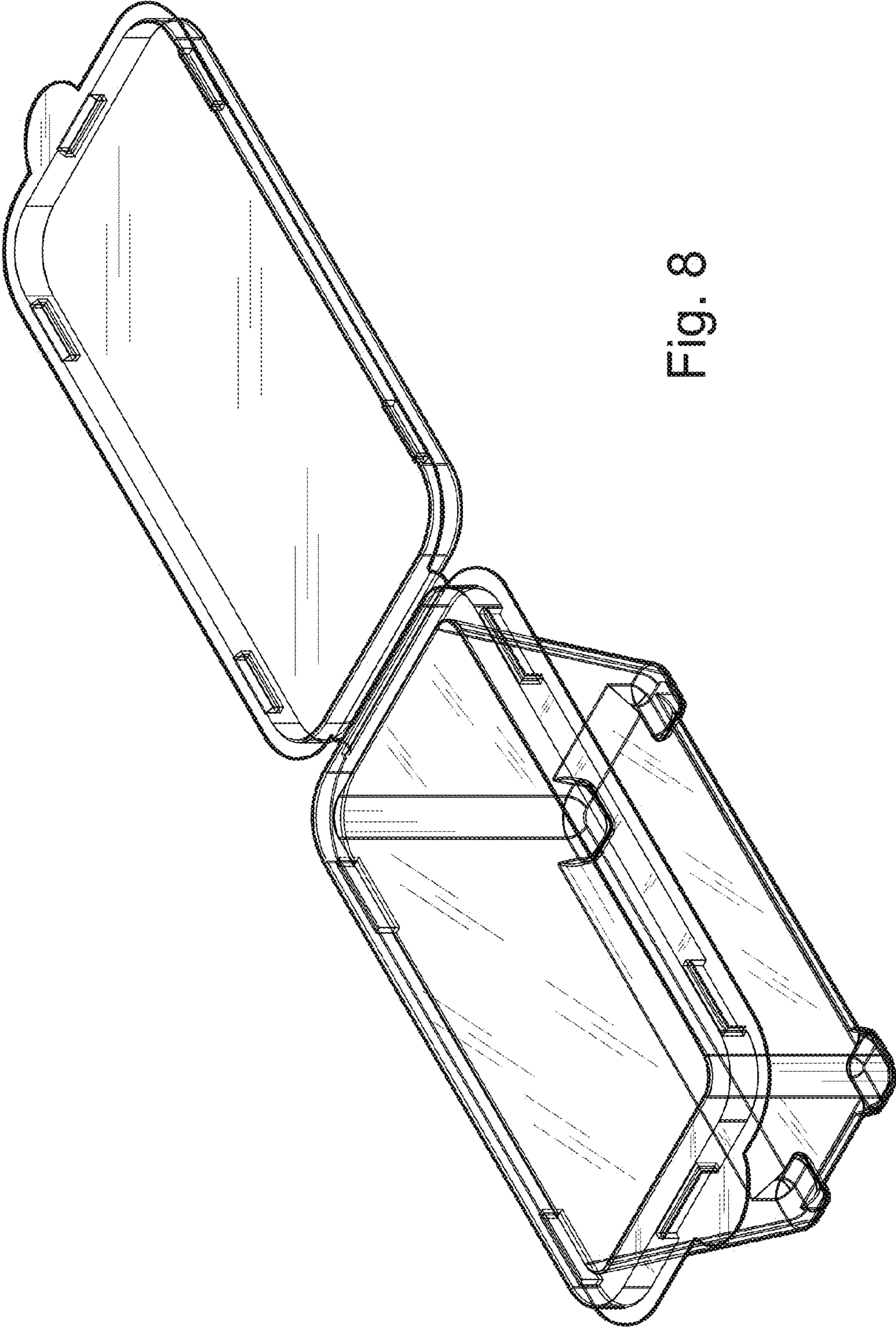


Fig. 8