



US00D694615S

(12) **United States Design Patent**
Mombelli

(10) **Patent No.:** **US D694,615 S**

(45) **Date of Patent:** **** Dec. 3, 2013**

(54) **PACKAGE OR CONTAINER FOR FOOD PRODUCTS**

(75) Inventor: **Mirko Mombelli**, Pavia (IT)

(73) Assignee: **Soremartec S.A.**, Arlon (BE)

(**) Term: **14 Years**

(21) Appl. No.: **29/416,658**

(22) Filed: **Mar. 26, 2012**

(30) **Foreign Application Priority Data**

Nov. 21, 2011 (WO) 637543401

(51) **LOC (9) Cl.** **09-03**

(52) **U.S. Cl.**
USPC **D9/414**

(58) **Field of Classification Search**

USPC D9/416, 423, 428, 430-433, 449, 455,
D9/444, 501-503, 508, 516, 519, 522, 529,
D9/531, 537, 543, 545, 548-52, 554, 564,
D9/558, 560, 574, 575, 688-692, 737-738,
D9/740, 741, 742, 744, 751, 755, 756, 711,
D9/760, 727, 418, 415, 758, 749, 499,
D9/456; D24/216; 220/23.87, 23.89, 475,
220/592.05, 592.15, 592.23, 62.18, 602,
220/629; D6/300; D8/403

See application file for complete search history.

(56) **References Cited**

U.S. PATENT DOCUMENTS

D471,087	S	*	3/2003	McCoy et al.	D9/686
D522,652	S	*	6/2006	Massey	D24/121
D545,186	S	*	6/2007	Liebe et al.	D9/420
D590,269	S	*	4/2009	Pavone	D9/572
D627,599	S	*	11/2010	Richau et al.	D7/510
D638,699	S	*	5/2011	Taylor et al.	D9/420
D639,180	S	*	6/2011	Shiota et al.	D9/689
D658,915	S	*	5/2012	Fernandes et al.	D6/542

* cited by examiner

Primary Examiner — Robert M Spear

Assistant Examiner — Rhea Shields

(74) *Attorney, Agent, or Firm* — Rothwell, Figg, Ernst & Manbeck, P.C.

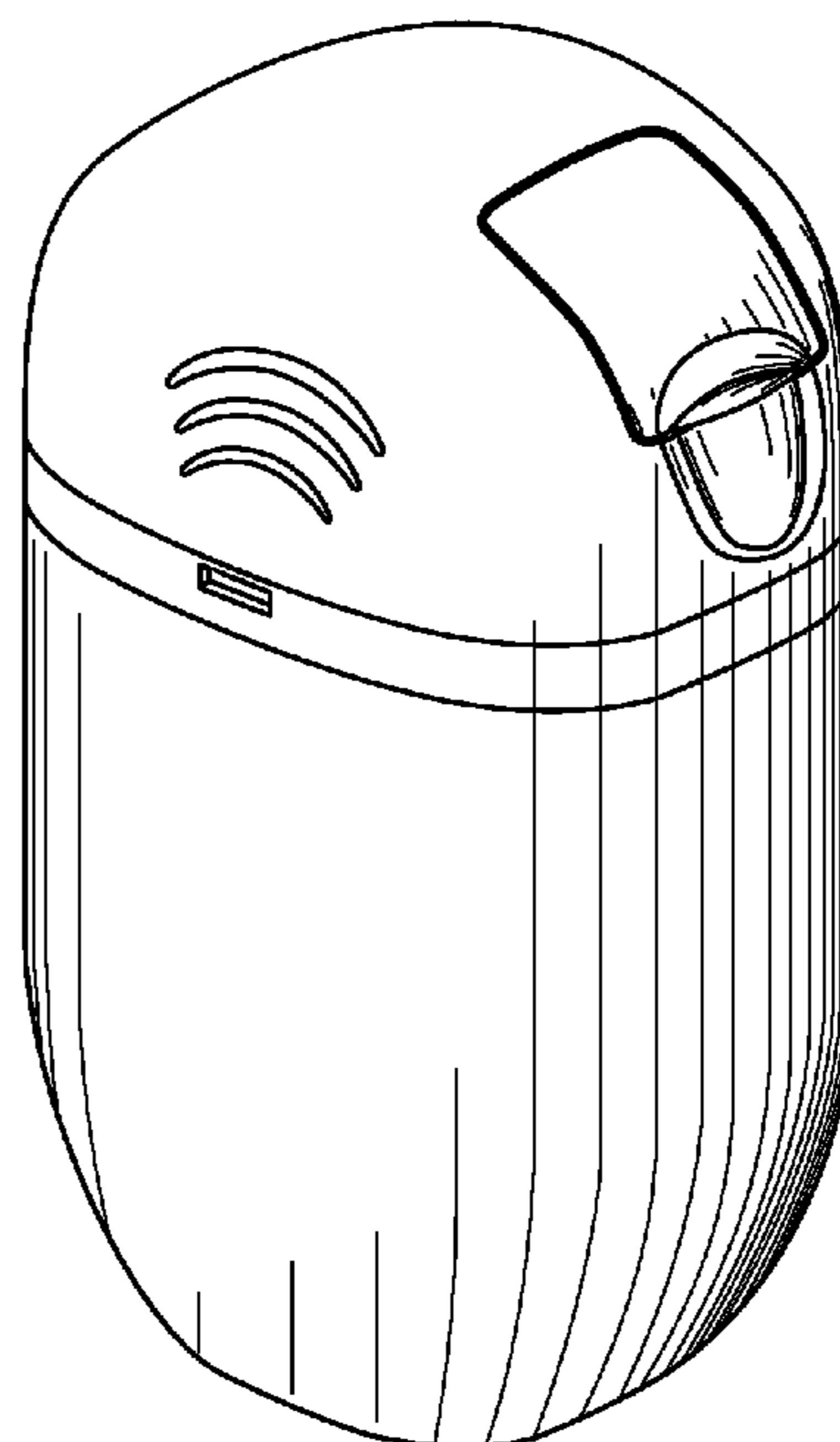
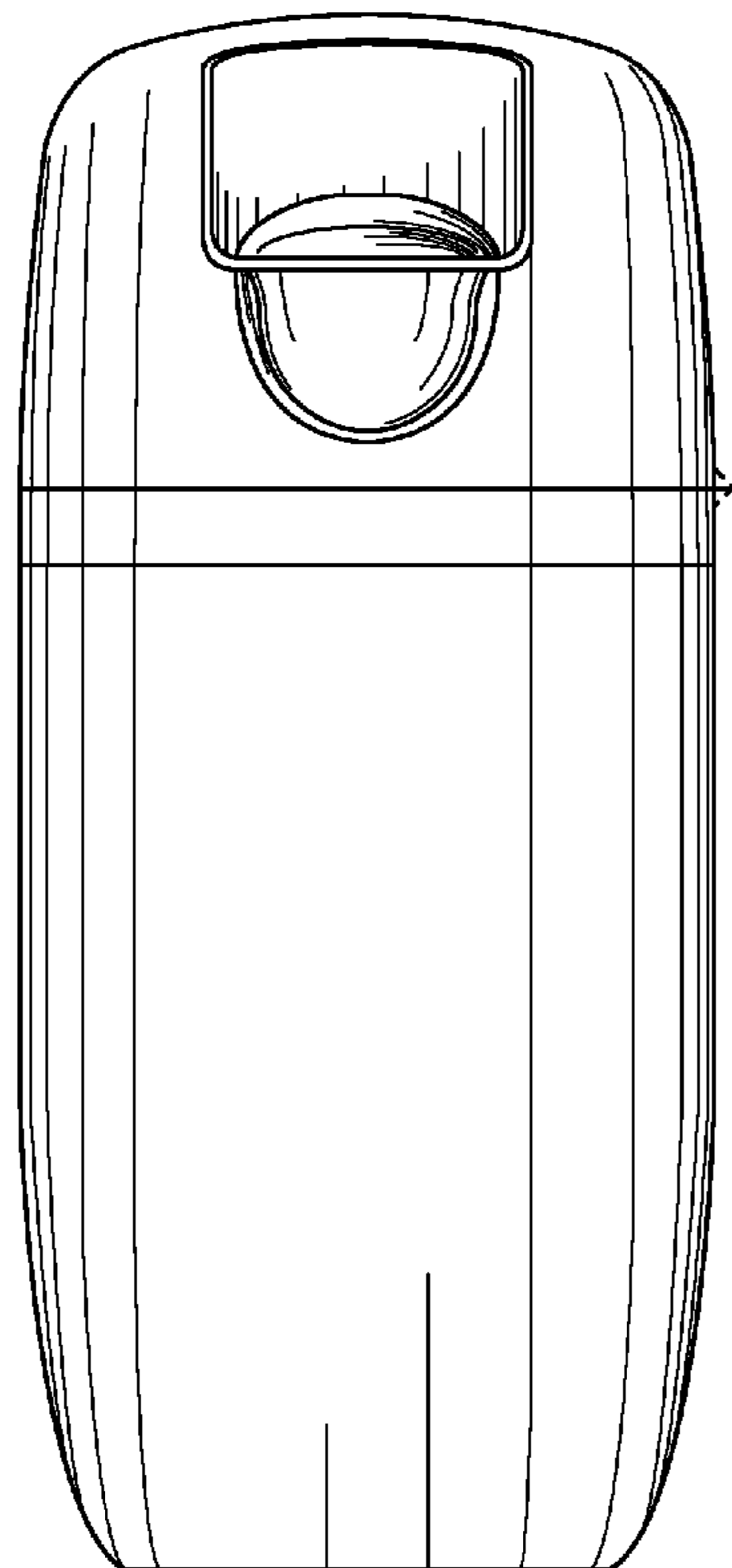
(57) **CLAIM**

The ornamental design for a package or container for food product, as shown and described.

DESCRIPTION

FIG. 1 shows a front elevation view of the package or container for food product of the claimed design;
FIG. 2 shows a rear elevation view thereof;
FIG. 3 shows a right side elevation view thereof;
FIG. 4 shows a left side elevation view thereof;
FIG. 5 shows a top plan view thereof;
FIG. 6 shows a bottom plan view thereof; and,
FIG. 7 shows a perspective view thereof.

1 Claim, 7 Drawing Sheets



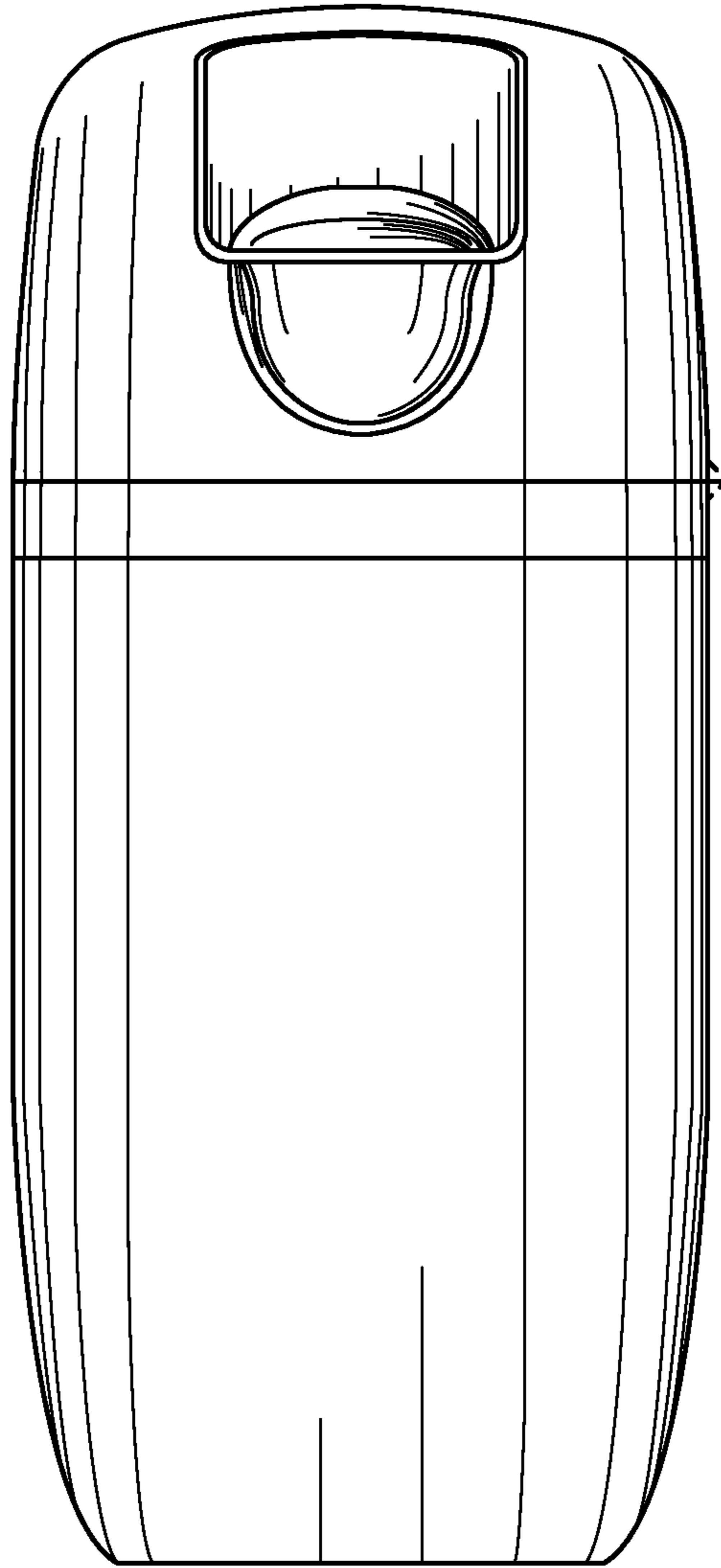


FIG. 1

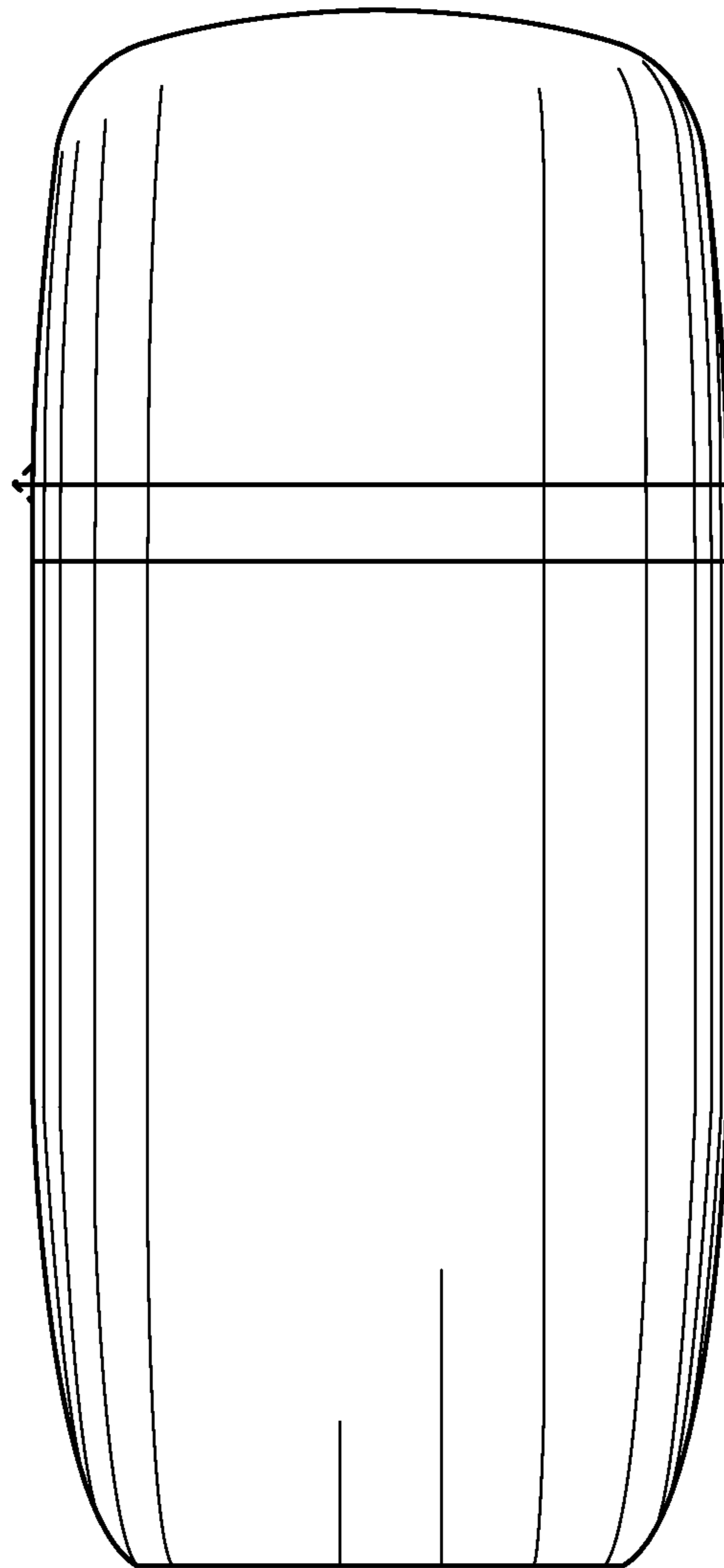


FIG. 2

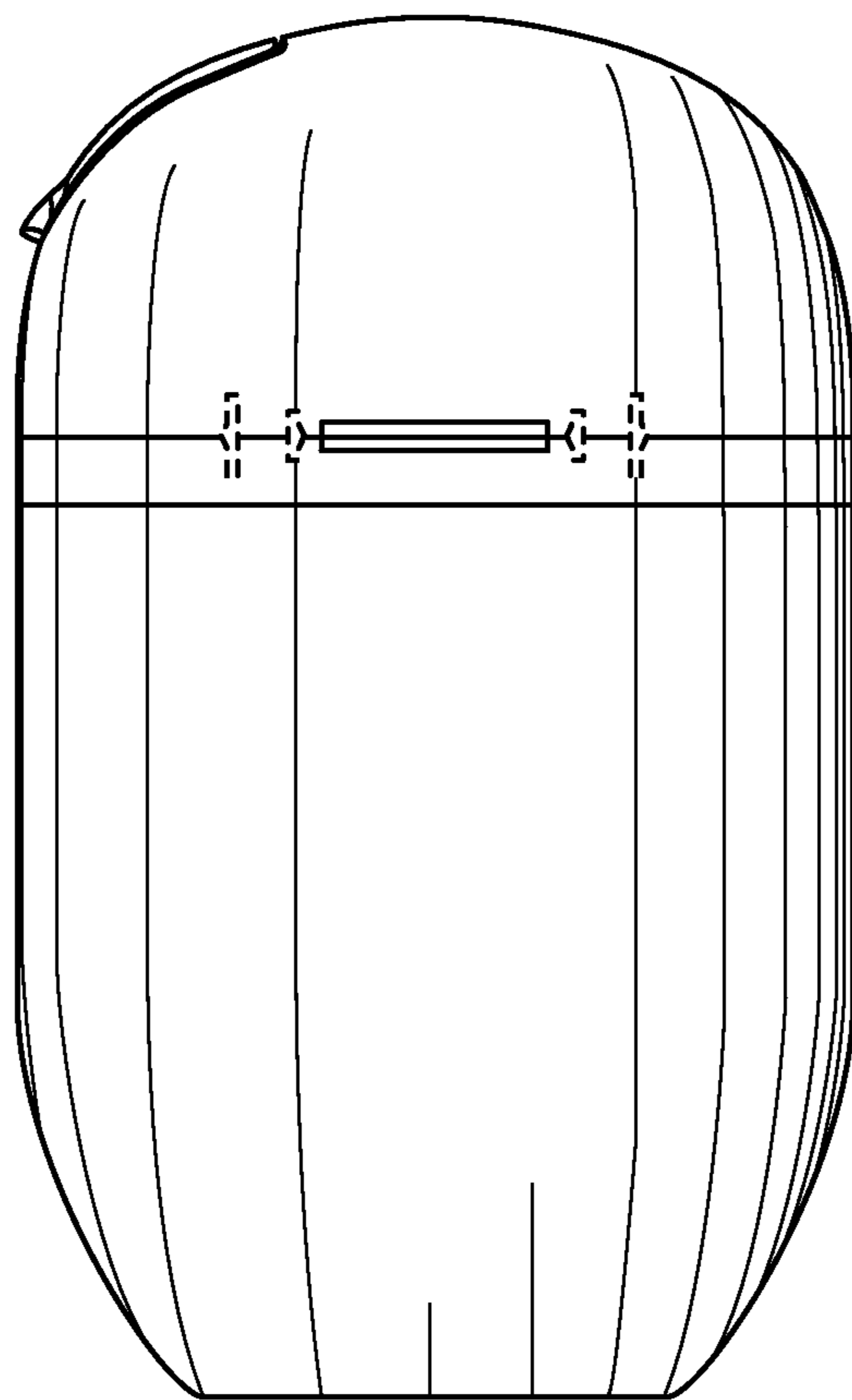


FIG. 3

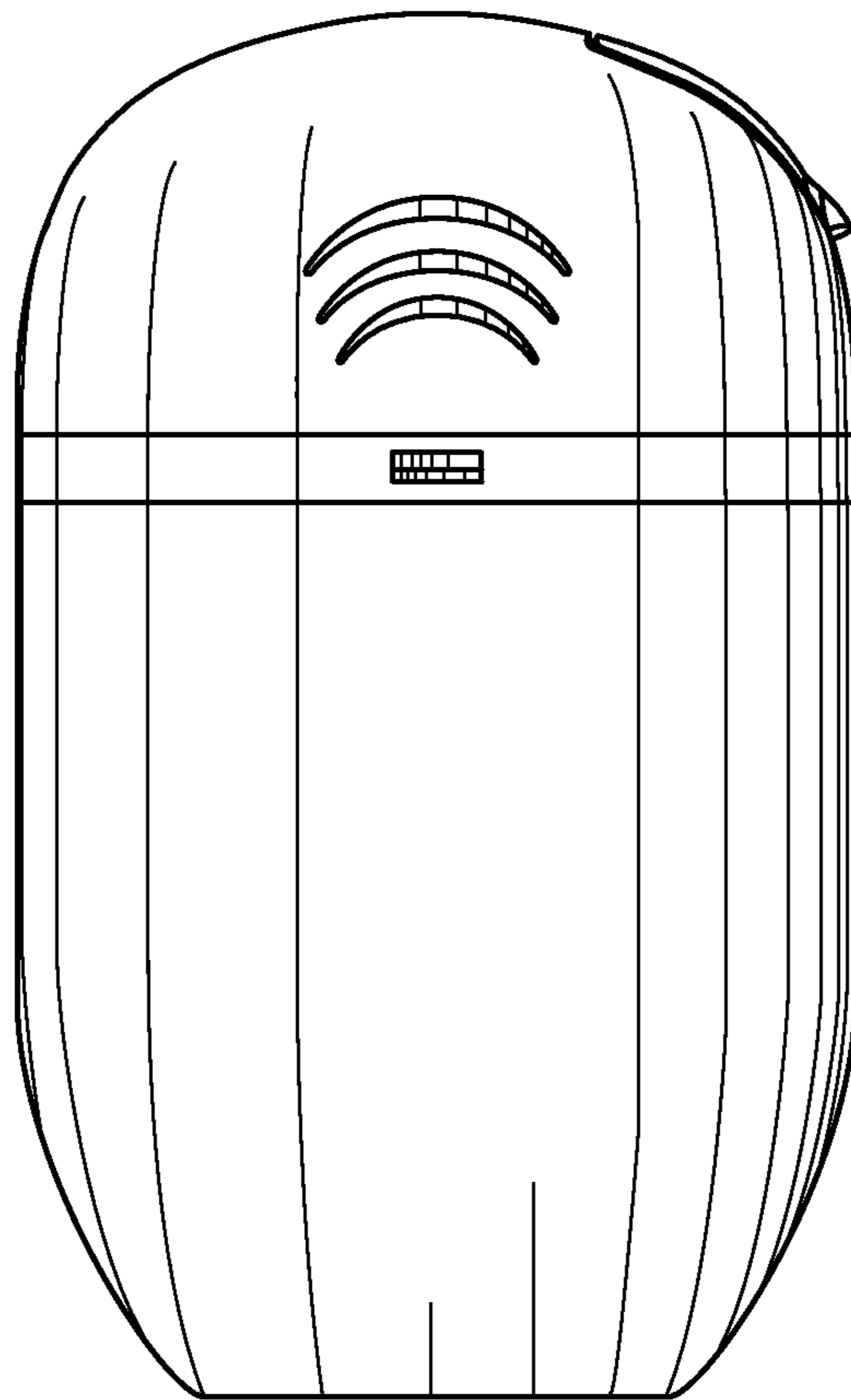


FIG. 4

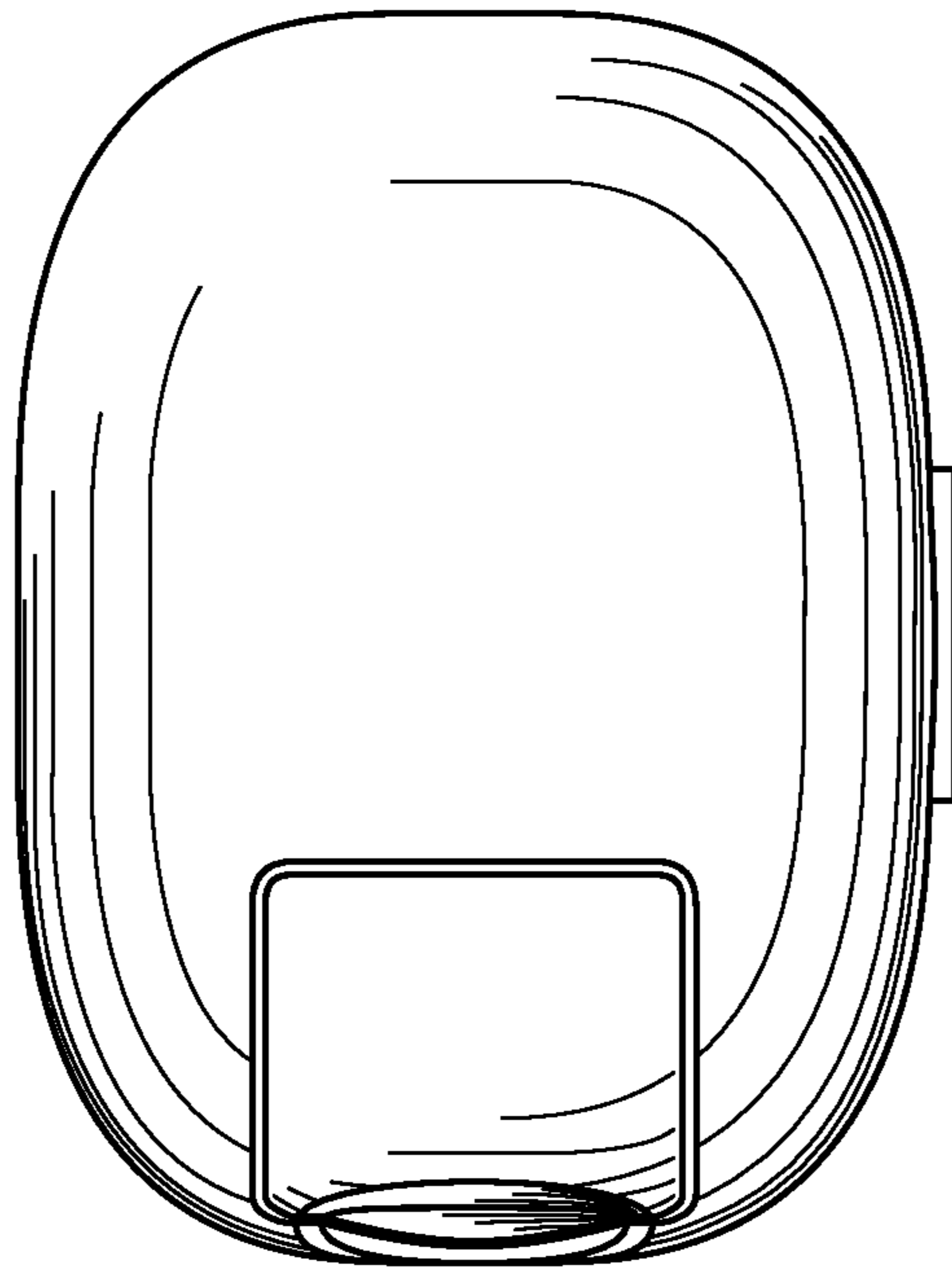


FIG. 5

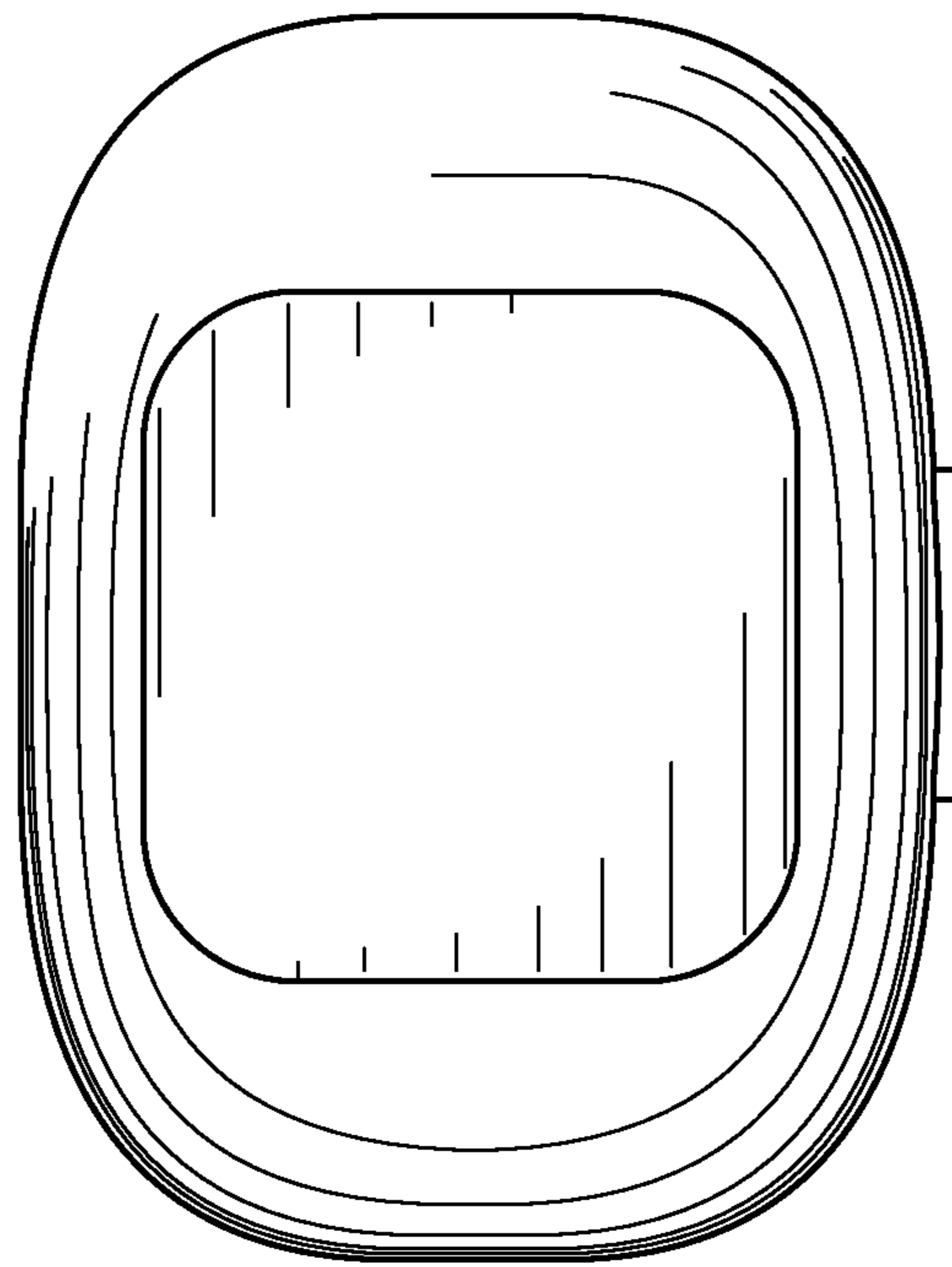


FIG. 6

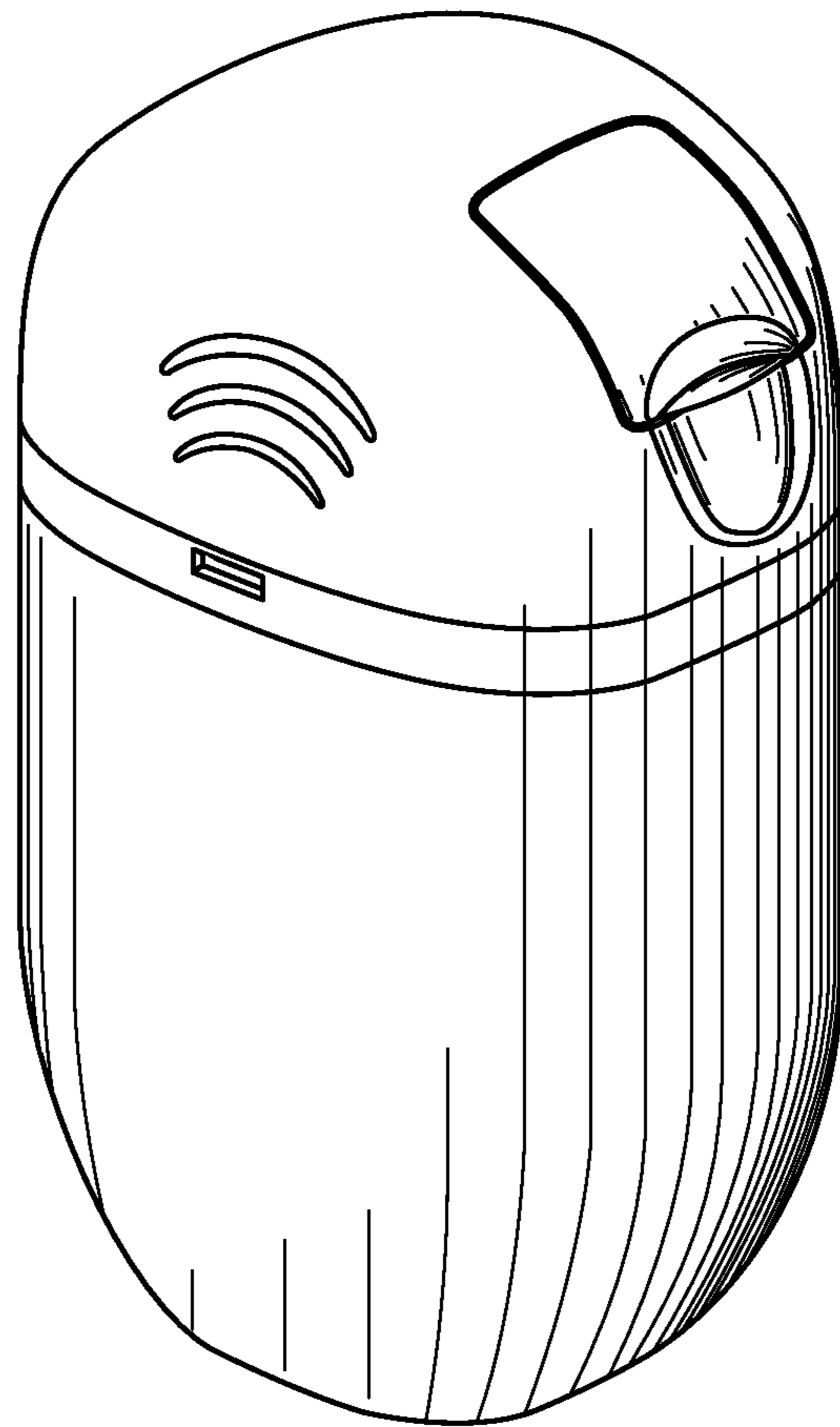


FIG. 7