

US00D694607S

(12) **United States Design Patent**  
**Lee et al.**

(10) **Patent No.:** **US D694,607 S**  
(45) **Date of Patent:** **\*\* Dec. 3, 2013**

- (54) **SAW VISE**
- (71) Applicant: **Canica Design, Inc.**, Almonte (CA)
- (72) Inventors: **Leonard G. Lee**, Almonte (CA); **Jeffery J. Henderson**, Ottawa (CA)
- (73) Assignee: **Canica Design Inc.**, Almonte, Ontario (CA)
- (\*\*) Term: **14 Years**

4,157,047 A *	6/1979	Dudley	76/76
4,248,412 A	2/1981	DeRoy	
4,300,754 A *	11/1981	Lawrence	269/246
4,355,551 A *	10/1982	Kolleas	76/78.1
D277,932 S	3/1985	Baptiste	
4,619,446 A *	10/1986	Yang	269/152
4,657,234 A	4/1987	Stout	
4,683,780 A *	8/1987	Robison	76/78.1
4,691,907 A	9/1987	Yang	
4,735,393 A *	4/1988	Albee, Jr.	248/316.1
4,907,778 A	3/1990	Rockwell	
D318,409 S	7/1991	Garrett	
5,320,320 A *	6/1994	Thompson	248/316.1

(Continued)

(21) Appl. No.: **29/449,285**

(22) Filed: **Mar. 14, 2013**

(51) **LOC (9) Cl.** ..... **08-05**

(52) **U.S. Cl.**  
USPC ..... **D8/74**

(58) **Field of Classification Search**  
USPC ..... D8/71-74, 394-399, 59; 76/78.1, 79.5;  
248/62, 63, 72, 74.1, 689, 124.2,  
248/316.1; 81/487; 269/3, 4, 6, 143, 165,  
269/240, 243, 246-249, 254 R, 147-149,  
269/55, 152; 29/256, 257, 276; 408/103,  
408/104-109

See application file for complete search history.

(56) **References Cited**

**U.S. PATENT DOCUMENTS**

1,442,471 A *	1/1923	Ferguson	76/78.1
1,785,613 A	12/1930	Blumer	
2,096,081 A *	10/1937	Anderson	76/78.1
2,434,568 A *	1/1948	Johnson	76/79.5
2,469,527 A	5/1949	Stifflemire	
2,693,724 A	11/1954	Currie	
2,713,275 A *	7/1955	Gregston	76/79.5
3,114,275 A *	12/1963	Paul	76/78.1
3,877,324 A	4/1975	Silvey	
4,109,900 A	8/1978	Vandecoevering	

**OTHER PUBLICATIONS**

Saw Vise.

(Continued)

*Primary Examiner* — David Muller

(74) *Attorney, Agent, or Firm* — Kilpatrick Townsend & Stockton LLP; John S. Pratt; Camilla C. Williams

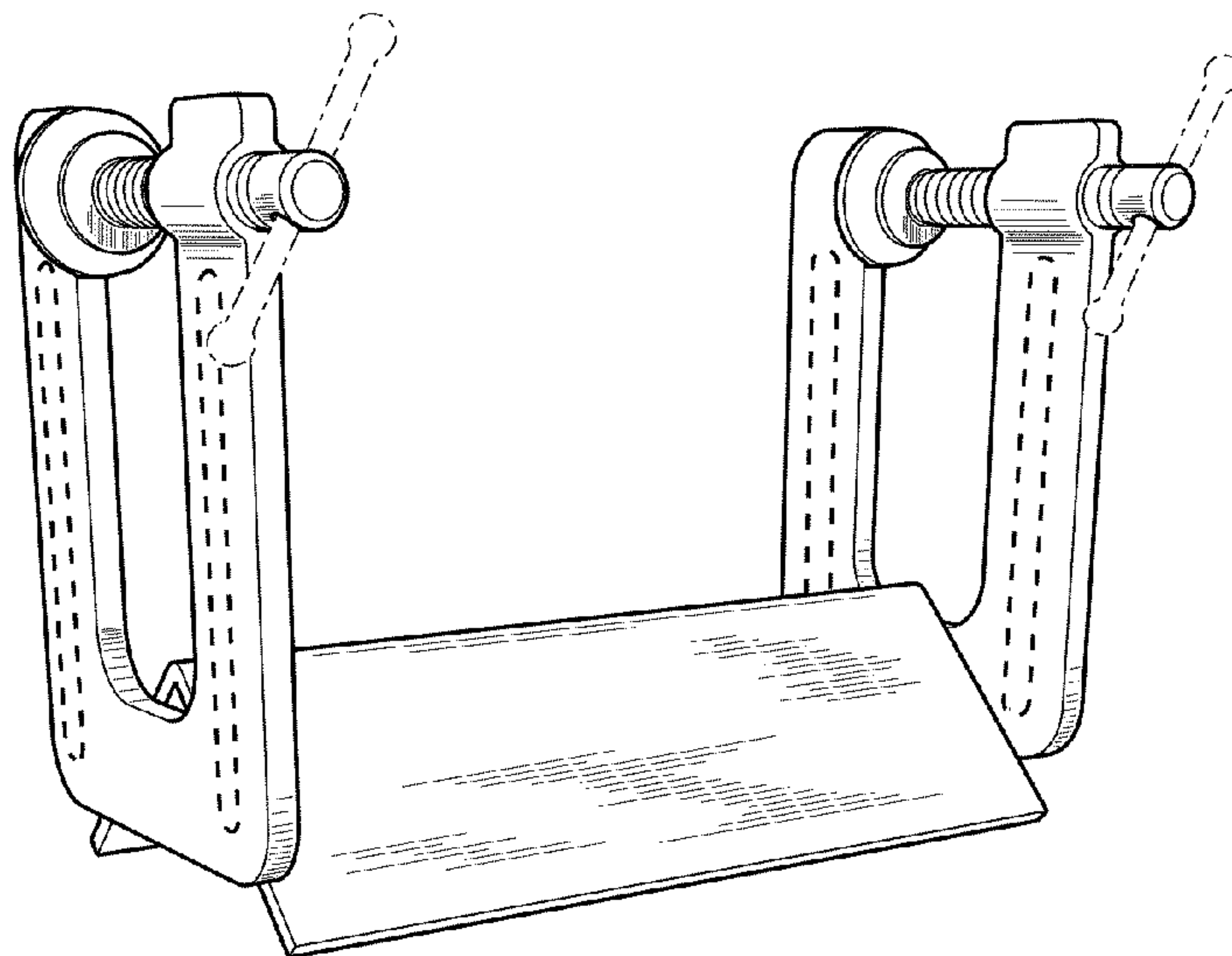
(57) **CLAIM**

The ornamental design for a saw vise, as shown and described.

**DESCRIPTION**

FIG. 1 is a front perspective view of the saw vise.  
 FIG. 2 is a left side elevation view of the saw vise shown in FIG. 1, of which the right side is a mirror image.  
 FIG. 3 is a front elevation view of the saw vise shown in FIG. 1.  
 FIG. 4 is a back elevation view of the saw vise shown in FIG. 1; and,  
 FIG. 5 is a top plan view of the saw vise shown in FIG. 1.  
 Portions of the saw vise shown in broken lines in the figures, form no part of the claimed design.

**1 Claim, 3 Drawing Sheets**



(56)

**References Cited**

8,196,886 B2 6/2012 Young

U.S. PATENT DOCUMENTS

OTHER PUBLICATIONS

5,395,100 A 3/1995 Stienbarger  
6,079,702 A 6/2000 MacDonald  
D512,893 S \* 12/2005 Cowan ..... D8/71

C clamp, [jiadatools.en.alibaba.com](http://jiadatools.en.alibaba.com).

\* cited by examiner

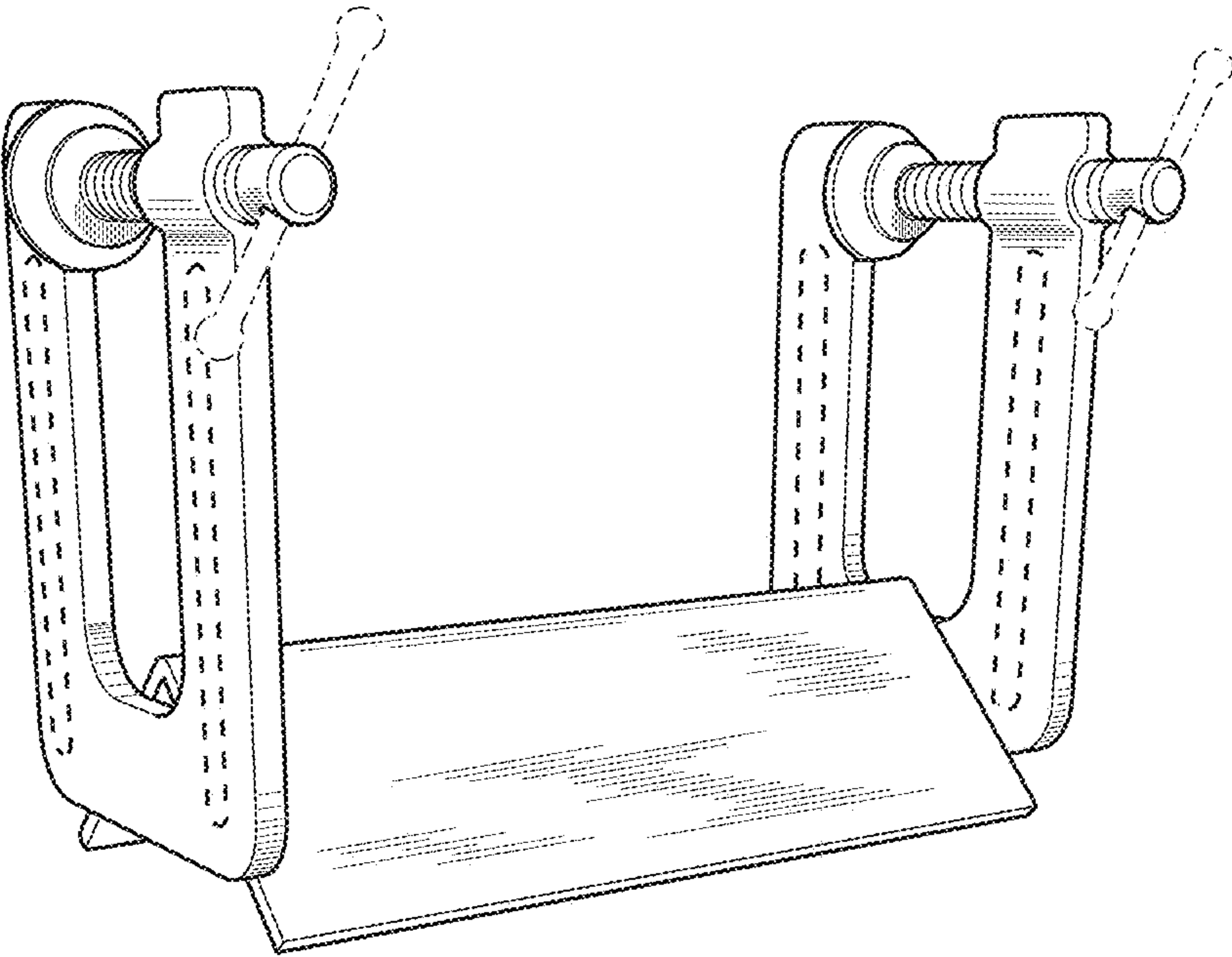


Fig. 1

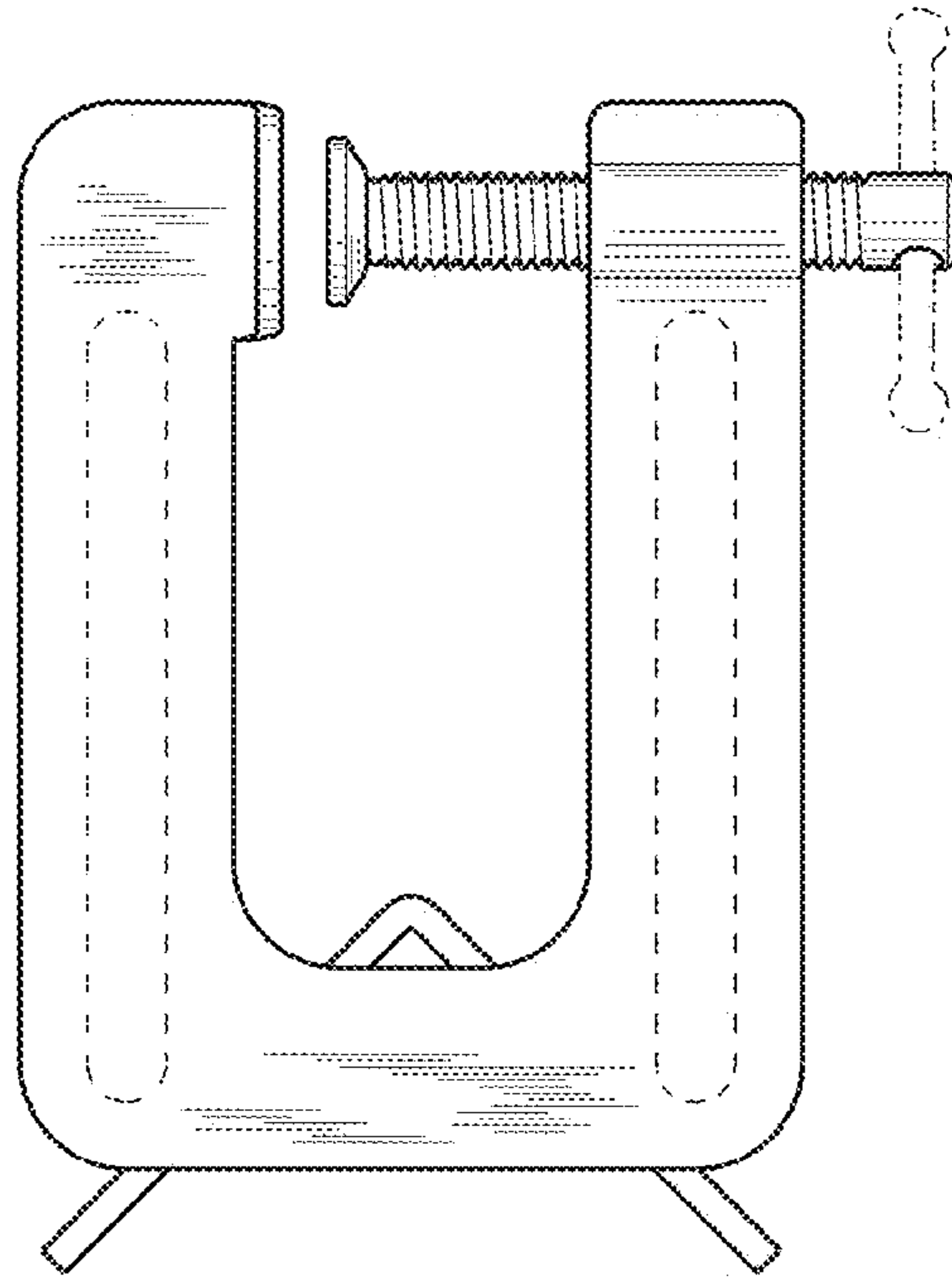


Fig. 2



Fig. 3

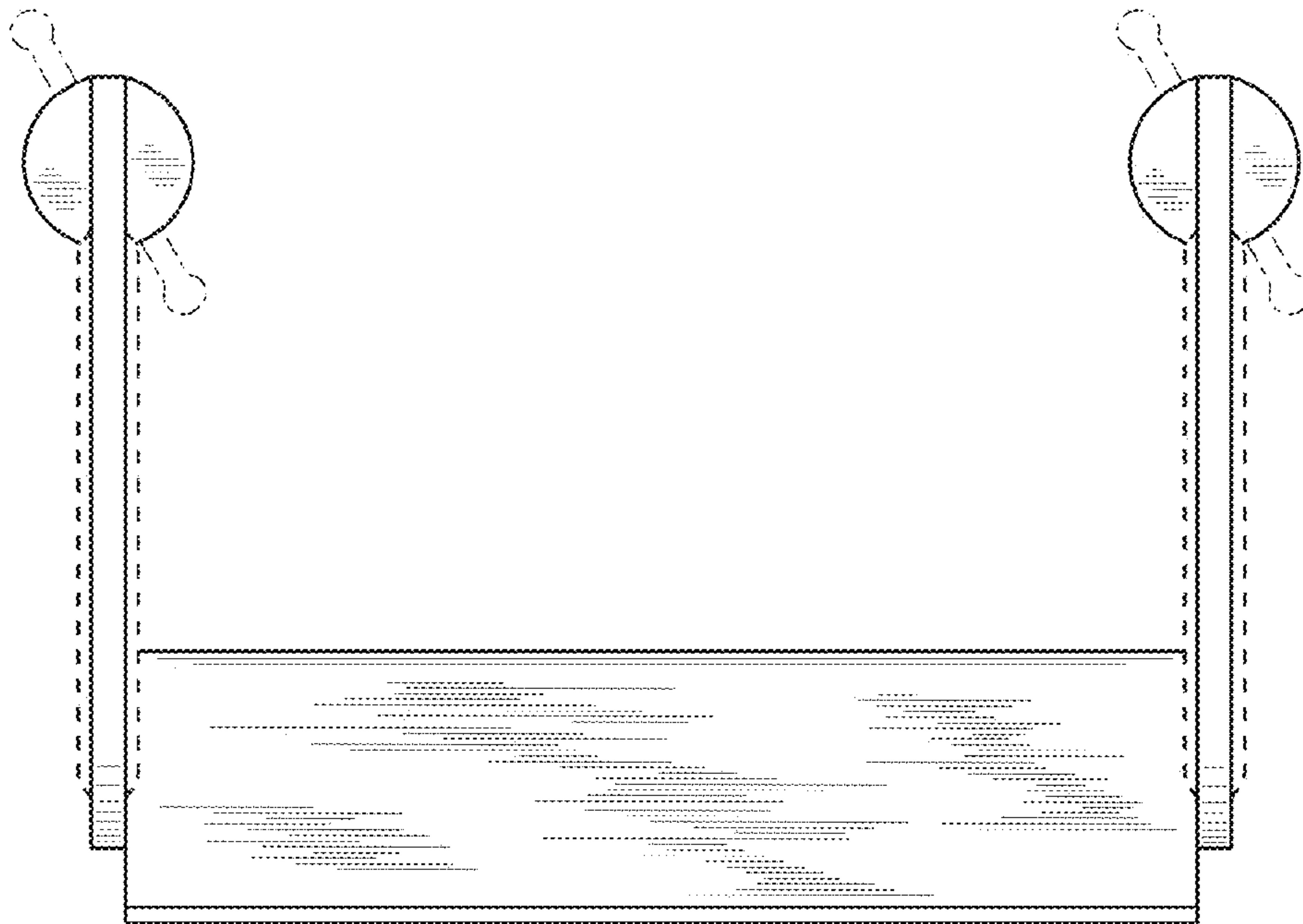


Fig. 4



Fig. 5