



US00D694606S

(12) **United States Design Patent**
Salomon et al.

(10) **Patent No.:** **US D694,606 S**
(45) **Date of Patent:** **** Dec. 3, 2013**

(54) **RIGHT ANGLE ATTACHMENT FOR A
ROTARY HAND TOOL**

D433,907 S 11/2000 Fuchs et al.
D492,560 S 7/2004 Refson
D513,692 S * 1/2006 Baker et al. D8/70

(Continued)

(75) Inventors: **Arturo Castro Salomon**, Mexicali
(MX); **Daniel Blythe**, Arlington Heights,
IL (US); **Tim Baker**, Aurora, IL (US);
James Dangora, Chicago, IL (US)

OTHER PUBLICATIONS

Rotozip ZipMate Attachment with XSHIELD—Connect System.
HomeDepot.com. Jan. 14, 2013 [online], [retrieved on Mar. 28,
2013]. Retrieved from the Internet <URL: <http://www.homedepot.com/p/Rotozip-ZipMate-Attachment-with-XSHIELD-Connect-System-ZM5-20/203362578>>.*

(Continued)

(73) Assignee: **Robert Bosch GmbH**, Stuttgart (DE)

(**) Term: **14 Years**

Primary Examiner — Philip S Hyder
Assistant Examiner — Darlington Ly

(21) Appl. No.: **29/430,213**

(74) *Attorney, Agent, or Firm* — Maginot, Moore & Beck

(22) Filed: **Aug. 22, 2012**

(51) **LOC (9) Cl.** **08-03**

(52) **U.S. Cl.**
USPC **D8/70**

(57) **CLAIM**

The ornamental design for a right angle attachment for a rotary hand tool, as shown and described.

(58) **Field of Classification Search**

USPC D8/61, 62, 66–70; D32/15, 17, 19;
D4/102; 451/344, 351, 353–359, 451,
451/456; 310/50; 173/170; 200/50.32

DESCRIPTION

See application file for complete search history.

FIG. 1 is a perspective view of a right angle attachment for a rotary hand tool showing our new design; FIG. 2 is a rear elevational view showing the design for the right angle attachment for a rotary hand tool of FIG. 1; FIG. 3 is a front elevational view showing the design for the right angle attachment for a rotary hand tool of FIG. 1; FIG. 4 is right side elevational view showing the design for the right angle attachment for a rotary hand tool of FIG. 1; FIG. 5 is a left side elevational view showing the design for the right angle attachment for a rotary hand tool of FIG. 1; FIG. 6 is a top plan view showing the design for the right angle attachment for a rotary hand tool of FIG. 1; and, FIG. 7 is a bottom plan view showing the design for the right angle attachment for a rotary hand tool of FIG. 1.

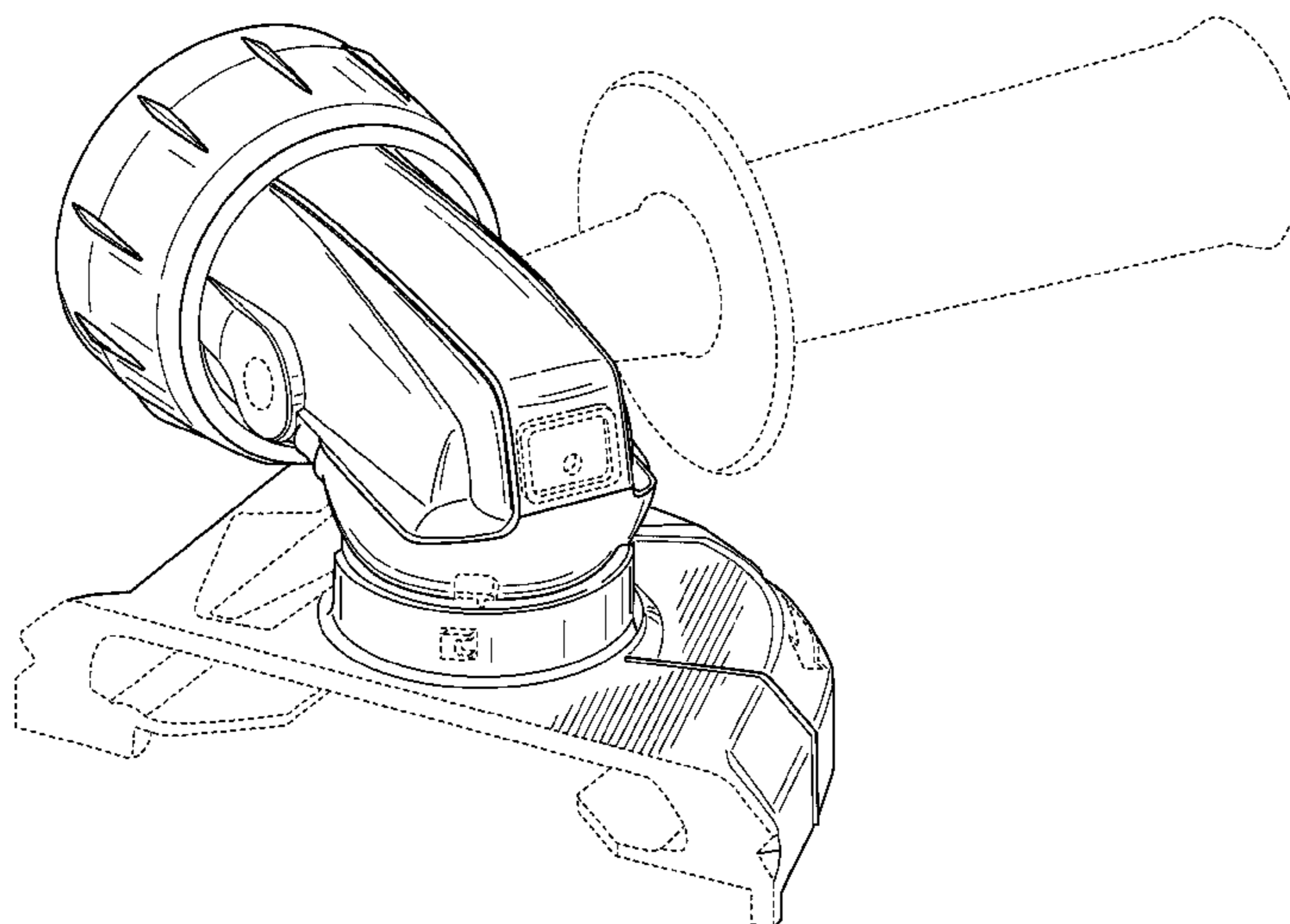
The broken line showing of portions of the right angle attachment for a rotary hand tool in the drawings forms no part of the claimed design.

(56) **References Cited**

U.S. PATENT DOCUMENTS

D177,063 S 3/1956 Nesbitt
3,034,493 A 5/1962 Bandy
3,991,643 A 11/1976 Girardin
D266,222 S 9/1982 Buscher
4,976,034 A 12/1990 Whitman
5,090,283 A 2/1992 Noble
5,466,183 A 11/1995 Kim et al.
D375,439 S 11/1996 Niwa et al.
5,774,992 A 7/1998 Lindenmuth
D401,827 S 12/1998 Lui

1 Claim, 7 Drawing Sheets



(56)

References Cited

U.S. PATENT DOCUMENTS

D521,832	S *	5/2006	Chen	D8/62
7,052,382	B2 *	5/2006	Baker	451/344
D522,333	S *	6/2006	Chen	D8/62
D522,826	S *	6/2006	Aglassinger	D8/62
D522,827	S *	6/2006	Corcoran	D8/62
D523,716	S *	6/2006	Chen	D8/62
D544,324	S *	6/2007	Waldron	D8/62
7,310,879	B1 *	12/2007	Clarke et al.	30/122
D564,850	S	3/2008	Bakker		
D577,556	S	9/2008	O'Hern		
7,465,328	B2	12/2008	Trautner et al.		
D586,636	S	2/2009	Aglassinger		
D623,033	S *	9/2010	Trochum	D8/62
D632,942	S *	2/2011	Barhitte et al.	D8/70
D634,999	S	3/2011	Yamamoto et al.		
7,958,641	B1	6/2011	Ende		
8,381,834	B2 *	2/2013	Barhitte et al.	173/214
2005/0217452	A1 *	10/2005	McDonnell	83/663
2006/0162171	A1	7/2006	Fuchs et al.		
2011/0186316	A1	8/2011	Barhitte et al.		
2011/0186322	A1	8/2011	Wasielewski		
2011/0188957	A1	8/2011	Wasielewski et al.		

OTHER PUBLICATIONS

Robert Bosch Tool Corporation, Bosch 1810PS 4.5 inch Paddle Switch Grinder, available at least as early as Sep. 29, 2011 (1 page).
 Clarke, Crocodile Circular Saw Kit, Model #CT5000, available at least as early as Sep. 29, 2011 (1 page).
 Craftsman, 10872 3 inch Mini Circular Saw, available at least as early as Sep. 29, 2011 (1 page).
 Dewalt, DW802G 4.5 inch Paddle Switch Grinder, available at least as early as Sep. 29, 2011 (1 page).
 Exakt, DC270 Deep Cut Saw, available at least as early as Sep. 29, 2011 (1 page).
 Exakt, Mini Circular Saw with Five Blades and Tru-Cut Angle Guide, available at least as early as Sep. 29, 2011 (1 page).
 Makita, GA4534 4.5 inch Paddle Switch Angle Grinder, available at least as early as Sep. 29, 2011 (1 page).
 Rockwell, RK3440K Versacut 3.375 inch Corded Circular Saw, available at least as early as Sep. 29, 2011 (1 page).
 Rotozip ZM5 website page, www.sears.com, available at least as early as Aug. 21, 2012 (1 page).
 Rotozip XSHIELD2 website pages, www.ebay.com, available at least as early as Aug. 21, 2012 (4 pages).

* cited by examiner

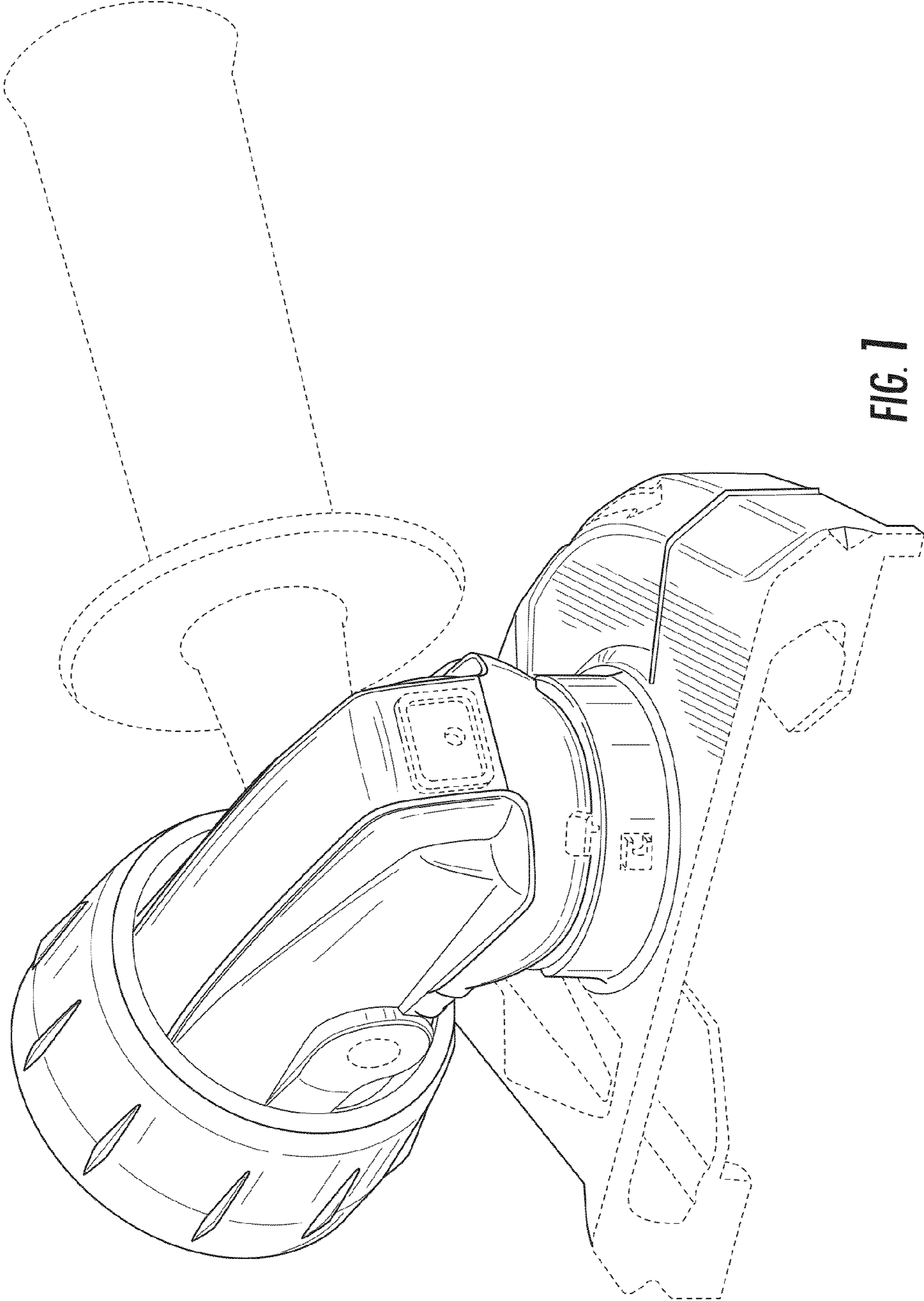


FIG. 1

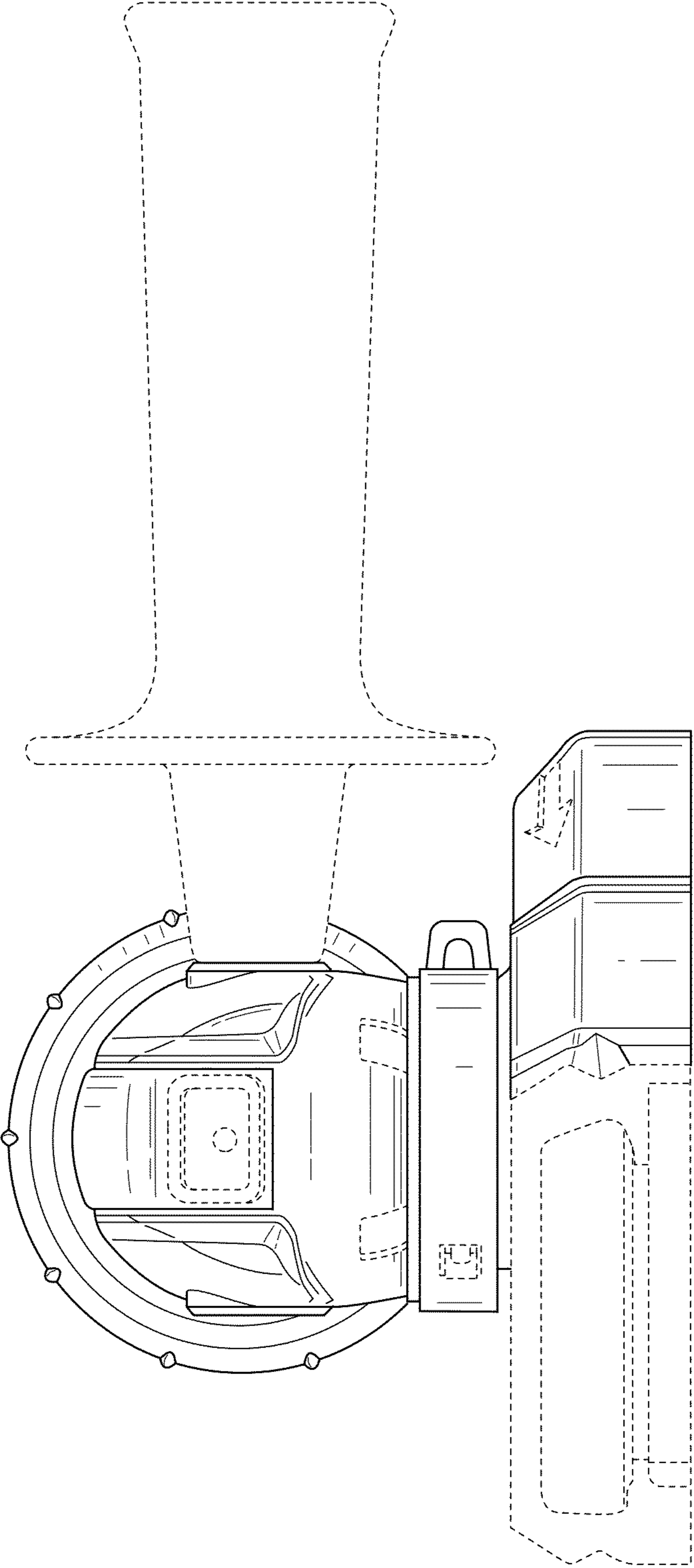


FIG. 2

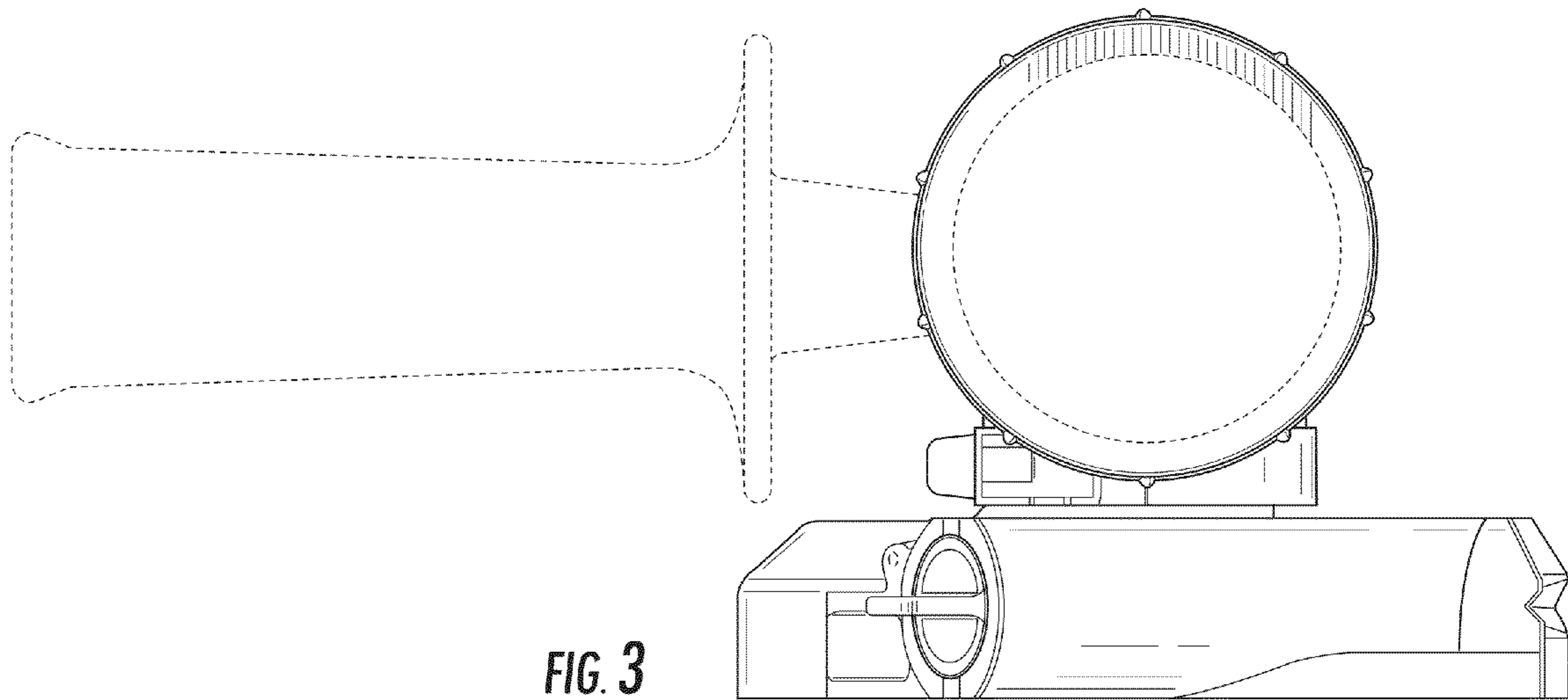


FIG. 3

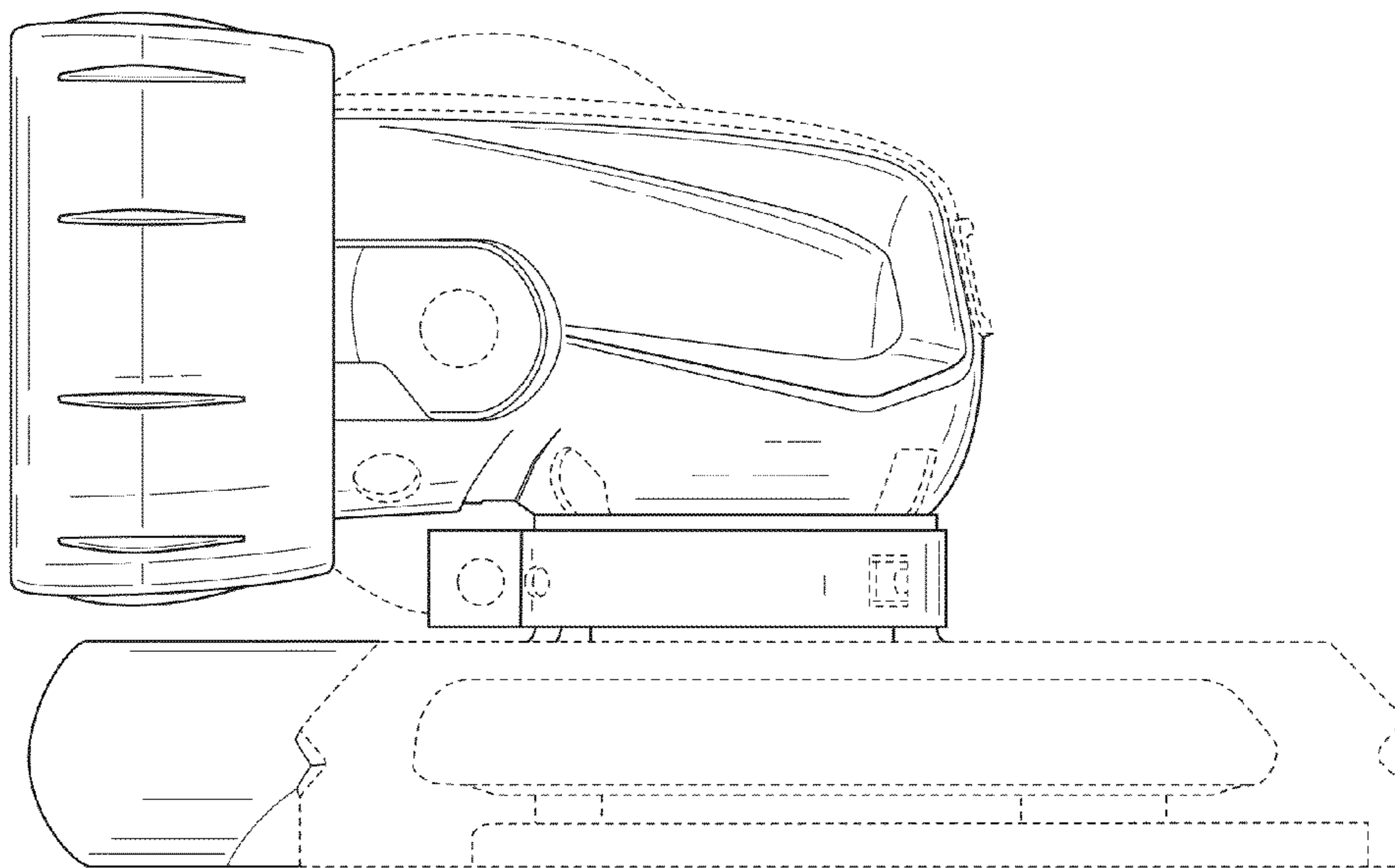


FIG. 4

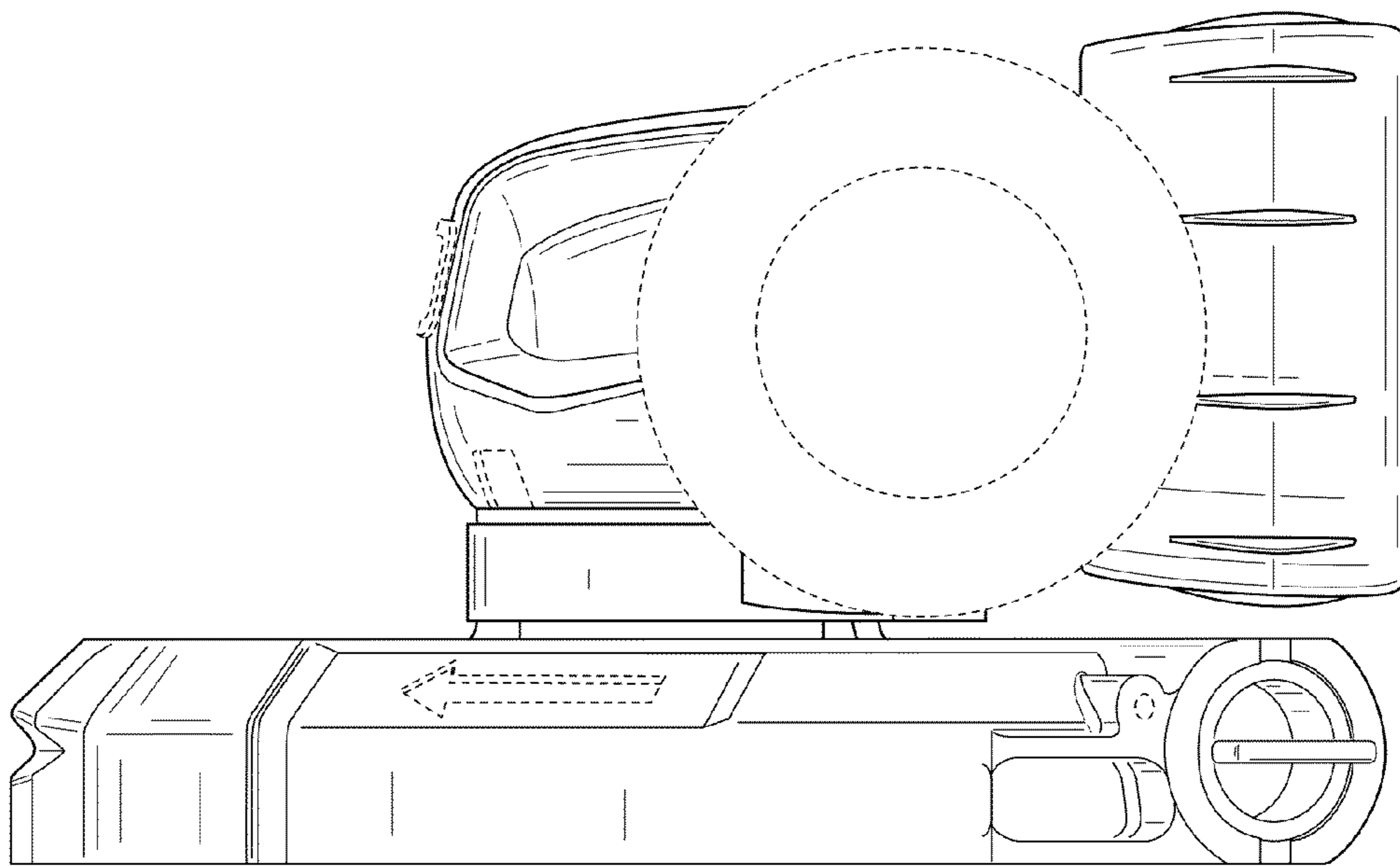


FIG. 5

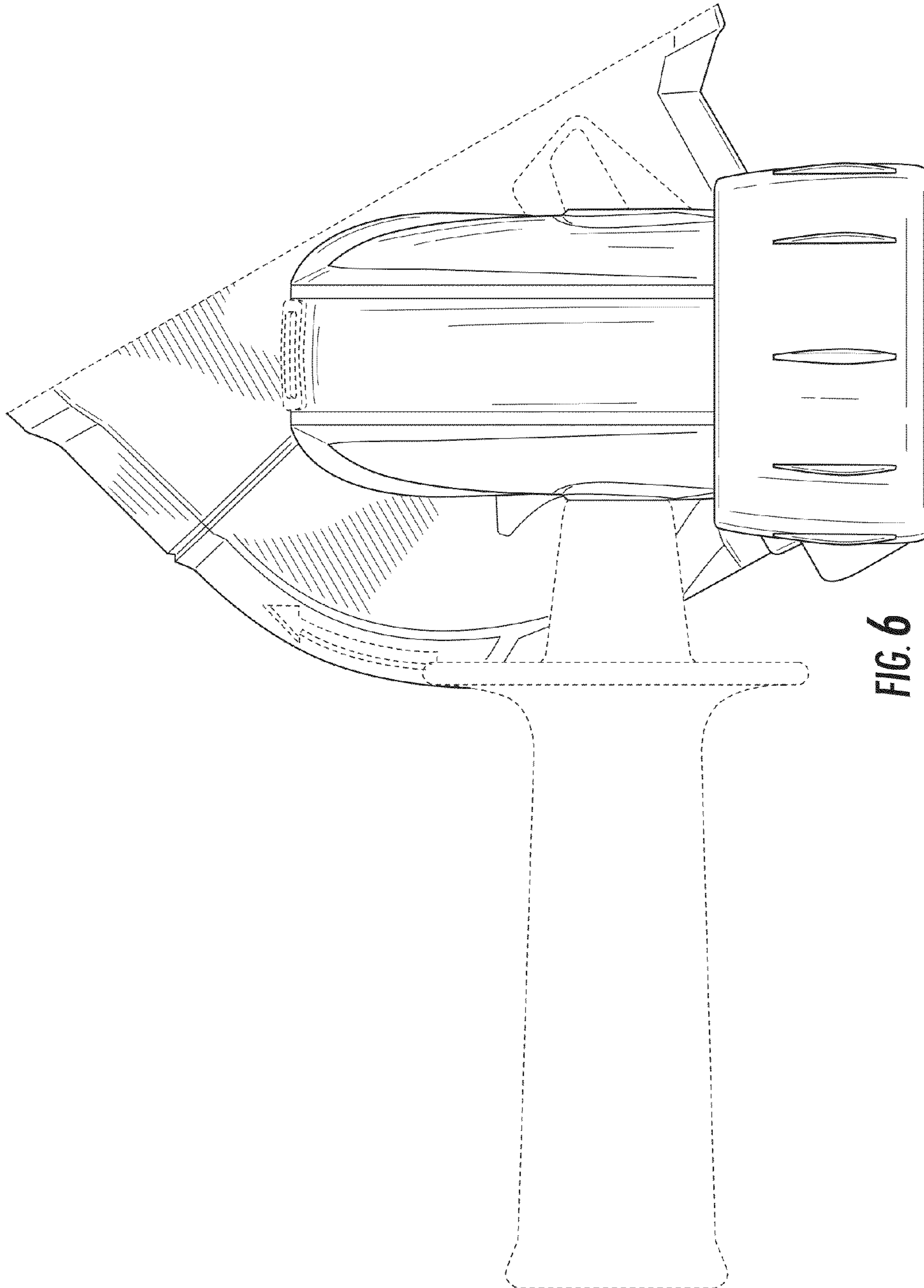


FIG. 6

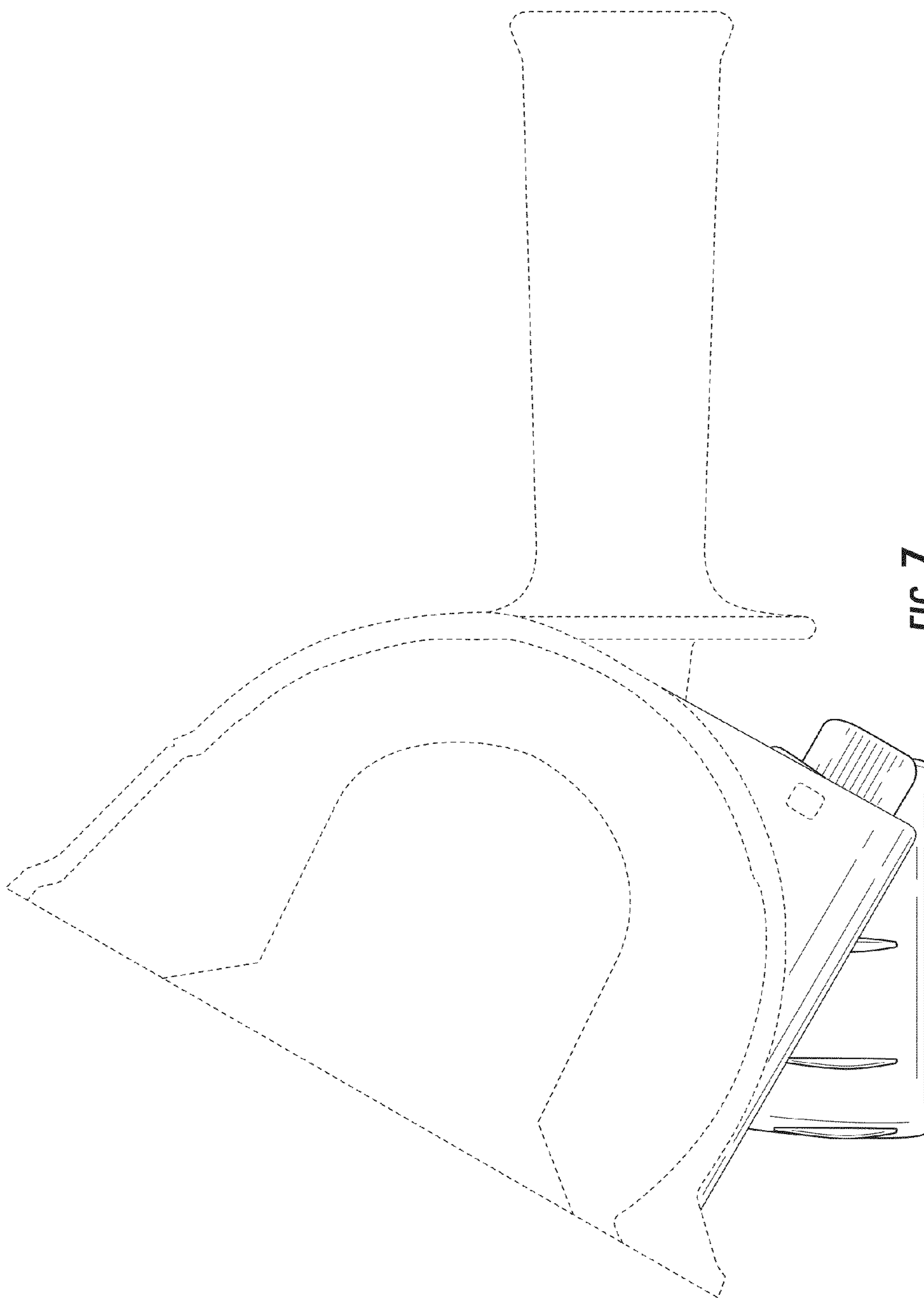


FIG. 7