



US00D694605S

(12) **United States Design Patent**
Reth et al.

(10) **Patent No.:** **US D694,605 S**
(45) **Date of Patent:** **** Dec. 3, 2013**

(54) **POWER TOOL HEAD**
(75) Inventors: **Anthony Reth**, Baltimore, MD (US);
David A. Miller, Baltimore, MD (US);
Trevor J. Koenig, Lancaster, PA (US);
Brent A. Kuehne, Red Lion, PA (US);
Rodney Milbourne, Abingdon, MD
(US); **Michael Cannaliato**, Bel Air, MD
(US)

(73) Assignee: **Black & Decker Inc.**, Newark, DE (US)

(**) Term: **14 Years**

(21) Appl. No.: **29/428,848**

(22) Filed: **Aug. 3, 2012**

(51) **LOC (9) Cl.** **08-03**

(52) **U.S. Cl.**
USPC **D8/70; D8/71**

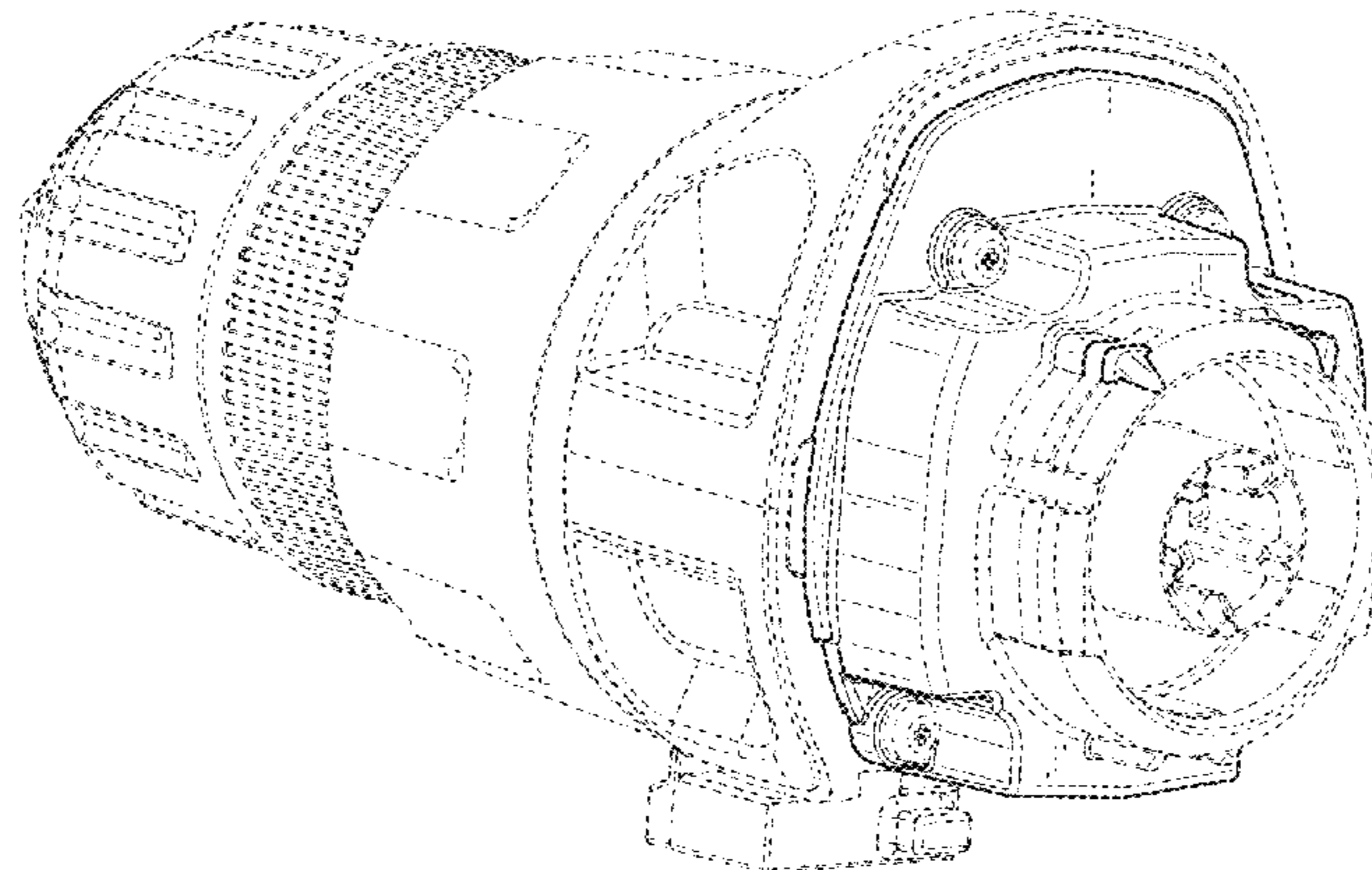
(58) **Field of Classification Search**
USPC D8/62, 67, 70, 71; 71/158; 29/453, 525,
29/560; 30/500; 173/29, 170, 171, 216,
173/217; 200/43.16, 61.58 R, 334; 310/50;
408/4, 20, 22, 31; 451/334, 363, 415
See application file for complete search history.

(56) **References Cited**

U.S. PATENT DOCUMENTS

3,525,912 A	8/1970	Wallin
3,724,237 A	4/1973	Wood
3,747,594 A	7/1973	Bishop
3,952,239 A	4/1976	Owings et al.
3,973,179 A	8/1976	Weber et al.
4,050,528 A	9/1977	Foltz et al.
4,091,880 A	5/1978	Troutner et al.
4,103,511 A	8/1978	Kress et al.
RE30,680 E	7/1981	Kress et al.
4,304,071 A	12/1981	Obrecht
4,827,552 A	5/1989	Bojar et al.
4,834,596 A	5/1989	Hollifield et al.
4,835,409 A	5/1989	Bhagwat et al.
4,835,410 A	5/1989	Bhagwat et al.
4,962,681 A	10/1990	Yang
4,995,148 A	2/1991	Bonomi et al.

5,018,411 A	5/1991	LaPadura	
5,033,552 A	7/1991	Hu	
5,149,230 A	9/1992	Nett	
5,490,683 A	2/1996	Mickel et al.	
5,715,156 A	2/1998	Yilmaz et al.	
5,988,025 A	11/1999	Sasaki et al.	
6,039,126 A	3/2000	Hsieh	
6,062,575 A	5/2000	Mickel et al.	
6,104,162 A	8/2000	Sainsbury et al.	
6,126,370 A	10/2000	Wheeler et al.	
6,153,838 A	11/2000	Wadge	
6,170,579 B1	1/2001	Wadge	
6,176,322 B1	1/2001	Wadge	
6,206,107 B1	3/2001	Wadge	
6,224,303 B1	5/2001	Wheeler et al.	
6,237,698 B1	5/2001	Carrier et al.	
6,243,276 B1	6/2001	Neumann	
6,263,980 B1	7/2001	Wadge	
D447,037 S *	8/2001	Netzler	D8/70
D447,038 S *	8/2001	Netzler	D8/70
6,270,087 B1	8/2001	Mickel et al.	
6,286,609 B1	9/2001	Carrier et al.	
6,286,611 B1	9/2001	Bone	
6,296,065 B1	10/2001	Carrier	
6,343,901 B2	2/2002	Wheeler et al.	
6,460,626 B2	10/2002	Carrier	
6,502,949 B1	1/2003	Horiyama et al.	
6,553,642 B2	4/2003	Driessen	
6,573,621 B2	6/2003	Neumann	
6,601,621 B2	8/2003	Wixey et al.	
6,634,439 B2	10/2003	Driessen	
6,641,467 B1	11/2003	Robson et al.	
6,675,911 B2 *	1/2004	Driessen	173/216
6,675,912 B2	1/2004	Carrier	
6,708,744 B2	3/2004	Wixey et al.	
6,886,615 B2	5/2005	Wixey et al.	
6,910,694 B2	6/2005	Hartmann et al.	
6,918,419 B2	7/2005	Wixey et al.	
7,021,399 B2	4/2006	Driessen	
7,048,617 B1	5/2006	Spiva	
7,100,705 B2 *	9/2006	Ortt et al.	173/1
7,114,824 B2	10/2006	Picone	
7,220,174 B2	5/2007	Phillips et al.	
7,270,910 B2	9/2007	Yahnker et al.	
7,428,917 B2	9/2008	Wixey et al.	
7,526,833 B2	5/2009	Cochran et al.	
7,568,867 B2	8/2009	Bryan	
7,609,025 B2	10/2009	Griffin	
7,649,337 B2	1/2010	Uehlein-Proctor et al.	
7,653,963 B2	2/2010	Cochran et al.	
7,719,230 B2	5/2010	Griffin	
7,735,575 B2 *	6/2010	Trautner	173/114
7,743,683 B2	6/2010	Dayton et al.	



7,815,356	B2	10/2010	Lutz et al.	
D626,395	S *	11/2010	Lau et al.	D8/70
D626,398	S *	11/2010	Lau et al.	D8/107
7,825,615	B2	11/2010	Chen et al.	
7,828,630	B2	11/2010	Robson et al.	
7,896,103	B2 *	3/2011	Johnson et al.	173/211
7,913,345	B2	3/2011	Dayton et al.	
7,926,141	B2	4/2011	Dayton et al.	
7,987,918	B2 *	8/2011	Fehrle et al.	173/1
D665,644	S *	8/2012	McRoberts et al.	D8/70
D665,645	S *	8/2012	McRoberts et al.	D8/70
D671,892	S *	12/2012	Keith et al.	D13/133
2002/0148623	A1	10/2002	Pan	
2005/0076972	A1	4/2005	Wixey et al.	
2009/0010725	A1	1/2009	Egelund	
2010/0146797	A1	6/2010	Dreher	
2010/0288520	A1	11/2010	Dayton et al.	
2010/0328929	A1	12/2010	Lutz et al.	
2011/0036604	A1	2/2011	Worsnop et al.	
2011/0094763	A1	4/2011	Wei	
2011/0100661	A1	5/2011	Wei	
2011/0100662	A1	5/2011	Wei	
2011/0100663	A1	5/2011	Wu	
2011/0108298	A1	5/2011	Zhou	
2011/0108299	A1	5/2011	Wei	
2011/0121782	A1	5/2011	Marsh et al.	
2011/0272172	A1	11/2011	Lau et al.	
2013/0020106	A1 *	1/2013	Kuehne et al.	173/214

FOREIGN PATENT DOCUMENTS

EP 2338644 6/2011

* cited by examiner

Primary Examiner — Philip S Hyder

Assistant Examiner — Darlington Ly

(74) *Attorney, Agent, or Firm* — Stephen R. Valancius

(57) **CLAIM**

The ornamental design for a power tool head, as shown and described.

DESCRIPTION

This application claims the benefit of U.S. patent application Ser. No. 13/530,629 filed Jun. 22, 2012.

FIG. 1 is a rear left-side perspective view of the first embodiment of a power tool head showing our new design;

FIG. 2 is a rear view thereof

FIG. 3 is a front view thereof;

FIG. 4 is a left side view thereof;

FIG. 5 is a right side view thereof;

FIG. 6 is a top plan view thereof;

FIG. 7 is a bottom plan view thereof;

FIG. 8 is a rear right-side perspective view of the first embodiment of a power tool head showing our new design;

FIG. 9 is a top rear left-side perspective view of the first embodiment of a power tool head showing our new design;

FIG. 10 is a bottom rear left-side perspective view of the first embodiment of a power tool head showing our new design; and

FIG. 11 is a perspective view of the second embodiment of a power tool head showing our new design;

FIG. 12 is a rear view thereof

FIG. 13 is a front view thereof;

FIG. 14 is a left side view thereof;

FIG. 15 is a right side view thereof;

FIG. 16 is a top plan view thereof;

FIG. 17 is a bottom plan view thereof;

FIG. 18 is a rear left-side perspective view of the third embodiment of a power tool head showing our new design;

FIG. 19 is a rear view thereof

FIG. 20 is a front view thereof;

FIG. 21 is a left side view thereof;

FIG. 22 is a right side view thereof;

FIG. 23 is a top plan view thereof;

FIG. 24 is a bottom plan view thereof; and

FIG. 25 is a rear left-side perspective view of the fourth embodiment of a power tool head showing our new design;

FIG. 26 is a rear view thereof

FIG. 27 is a front view thereof;

FIG. 28 is a left side view thereof;

FIG. 29 is a right side view thereof;

FIG. 30 is a top plan view thereof;

FIG. 31 is a bottom plan view thereof; and FIG. 32 is a bottom rear left-side perspective view of the fifth embodiment of a power tool head showing our new design;

FIG. 33 is a rear view thereof

FIG. 34 is a front view thereof;

FIG. 35 is a left side view thereof;

FIG. 36 is a right side view thereof;

FIG. 37 is a top plan view thereof;

FIG. 38 is a bottom plan view thereof;

FIG. 39 is a bottom rear left-side perspective view of the sixth embodiment of a power tool head showing our new design;

FIG. 40 is a rear view thereof

FIG. 41 is a front view thereof;

FIG. 42 is a left side view thereof;

FIG. 43 is a right side view thereof;

FIG. 44 is a top plan view thereof; and,

FIG. 45 is a bottom plan view thereof.

The broken lines shown in the drawings illustrate portions of the power tool head that form no part of the claimed design.

1 Claim, 44 Drawing Sheets

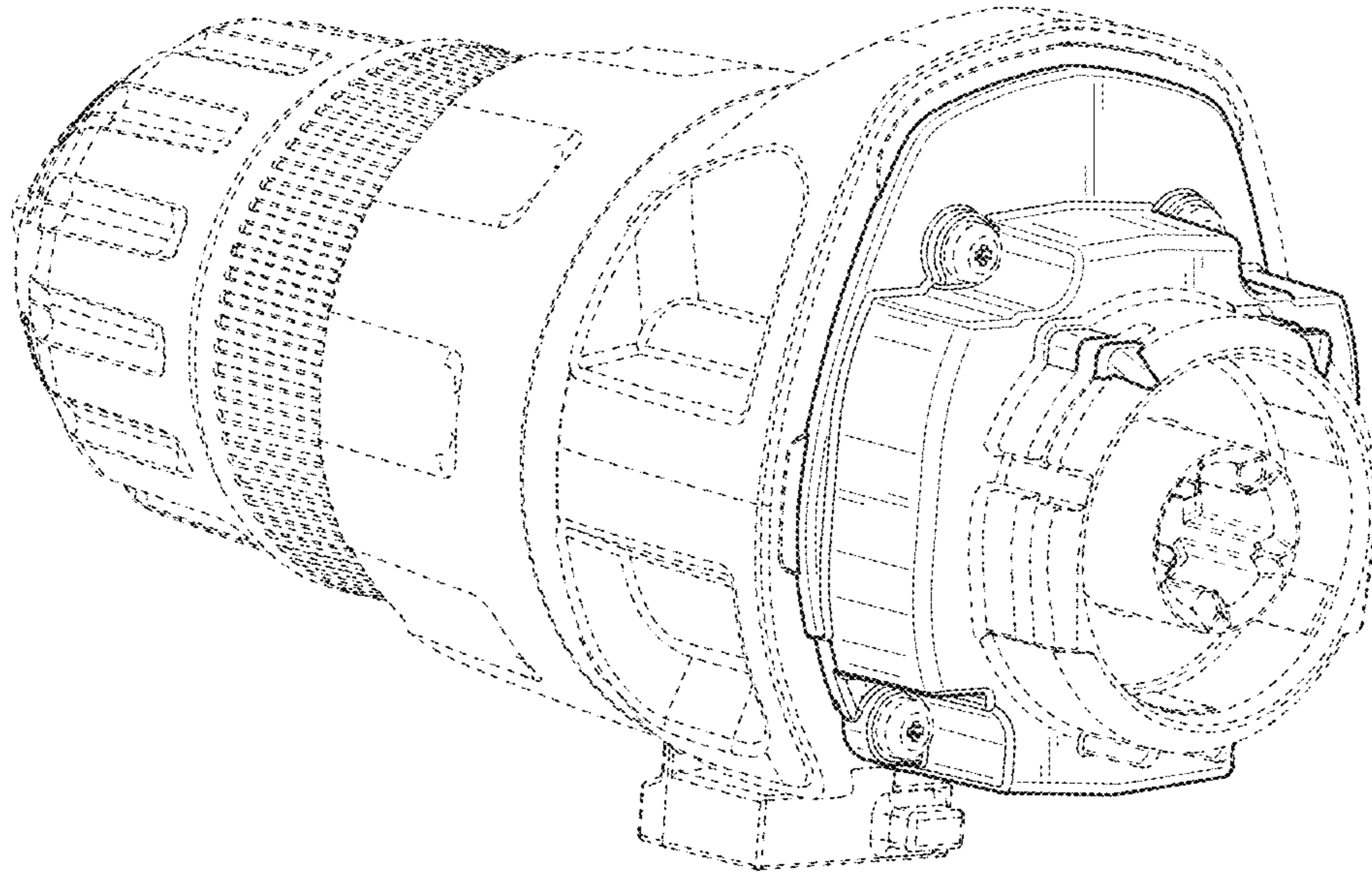


FIG. 1

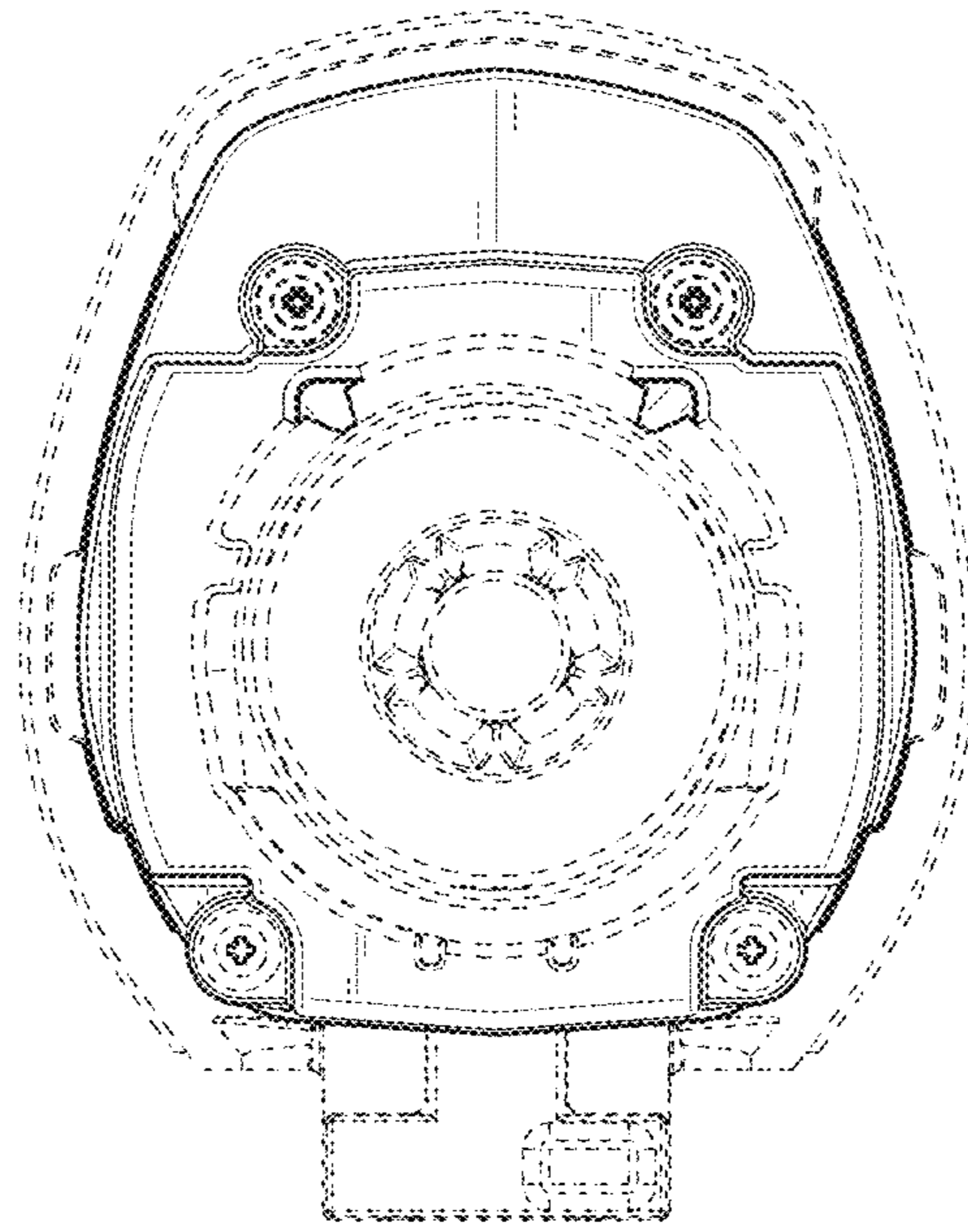


FIG. 2

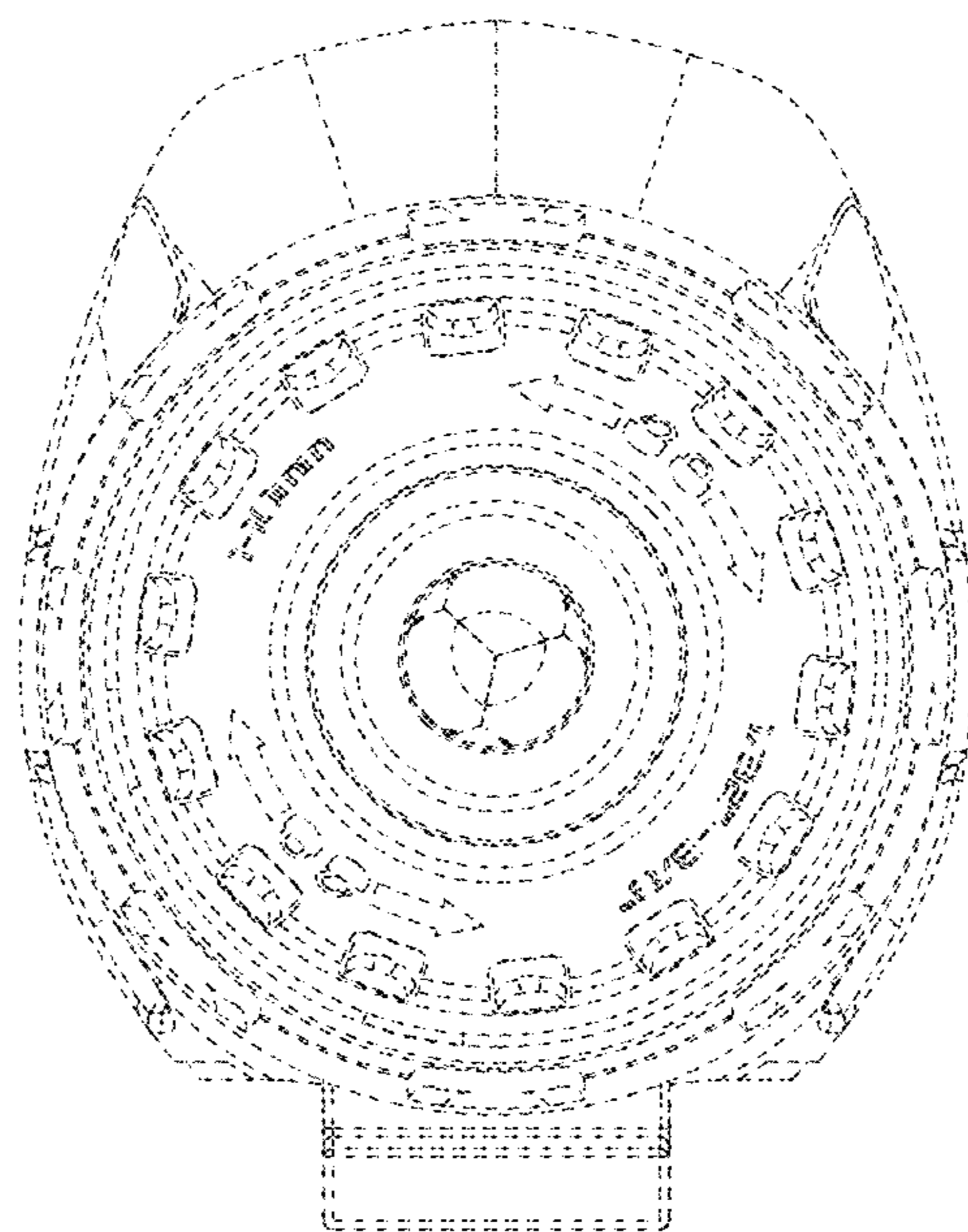


FIG. 3

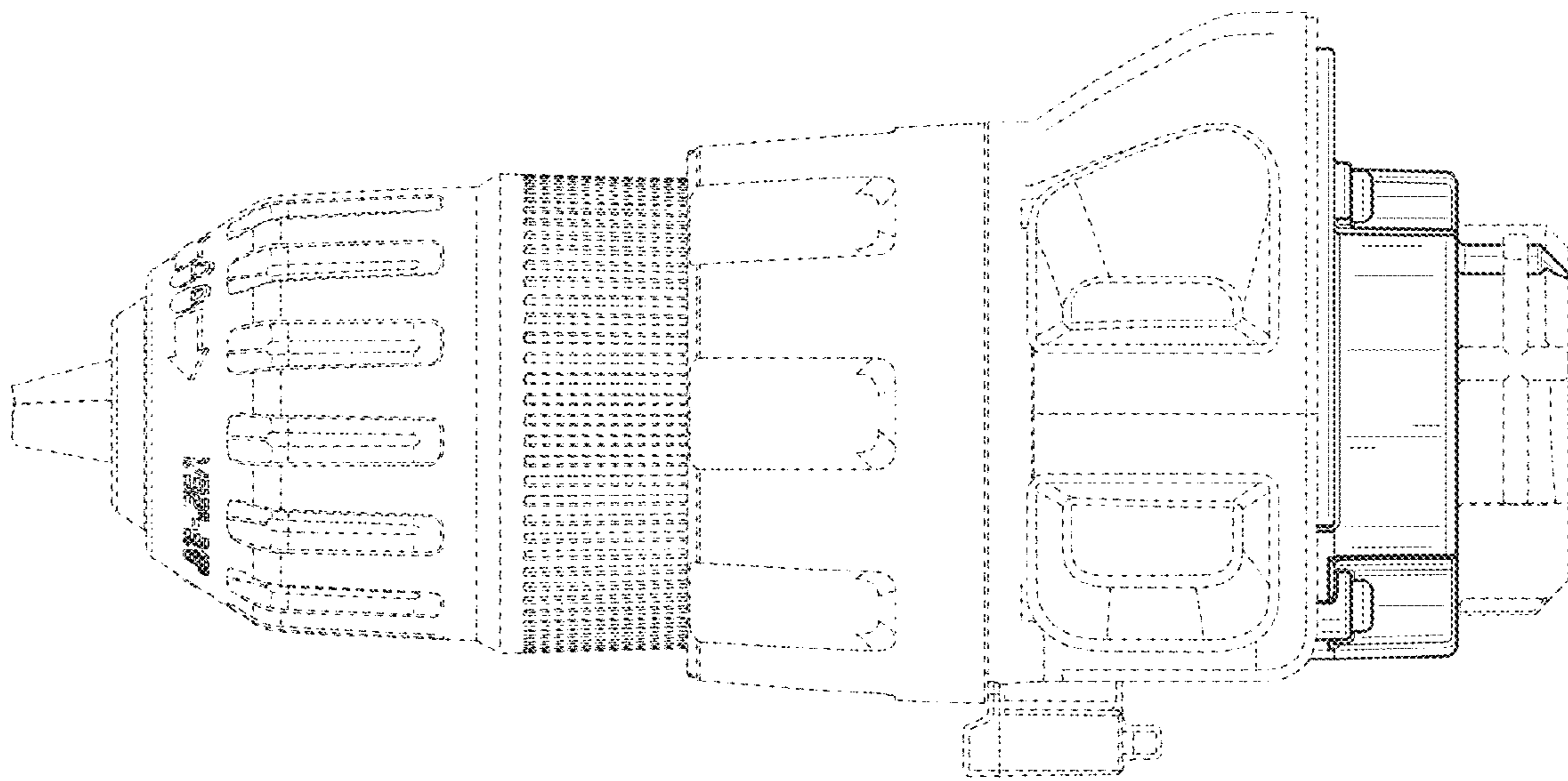


FIG. 4

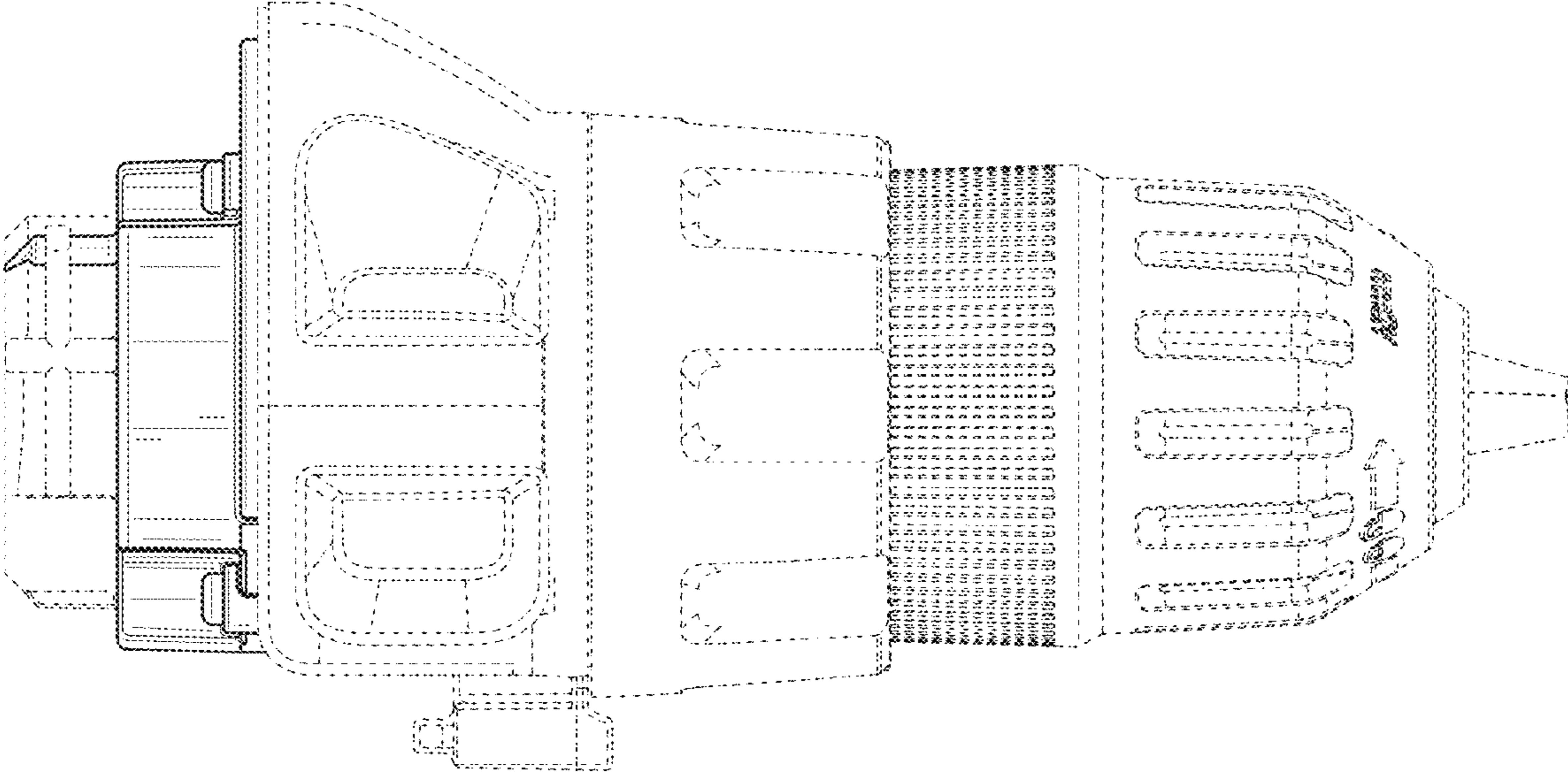


FIG. 5

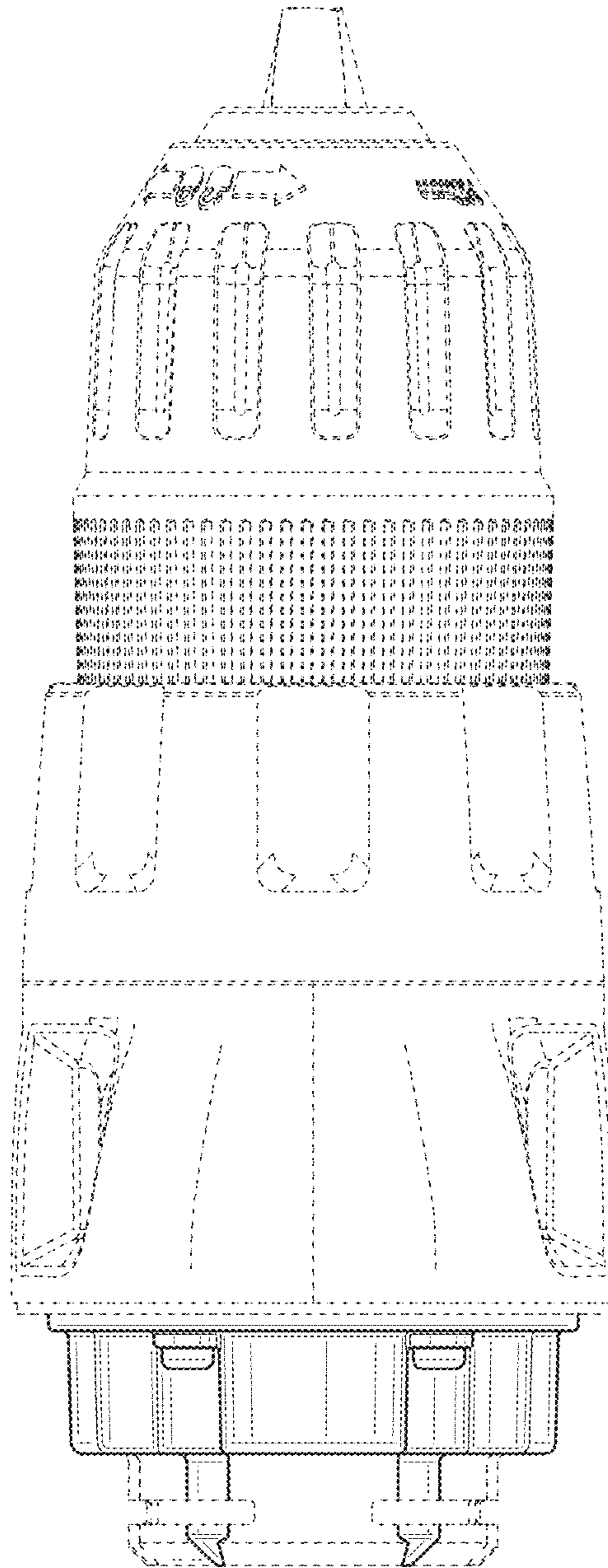


FIG. 6

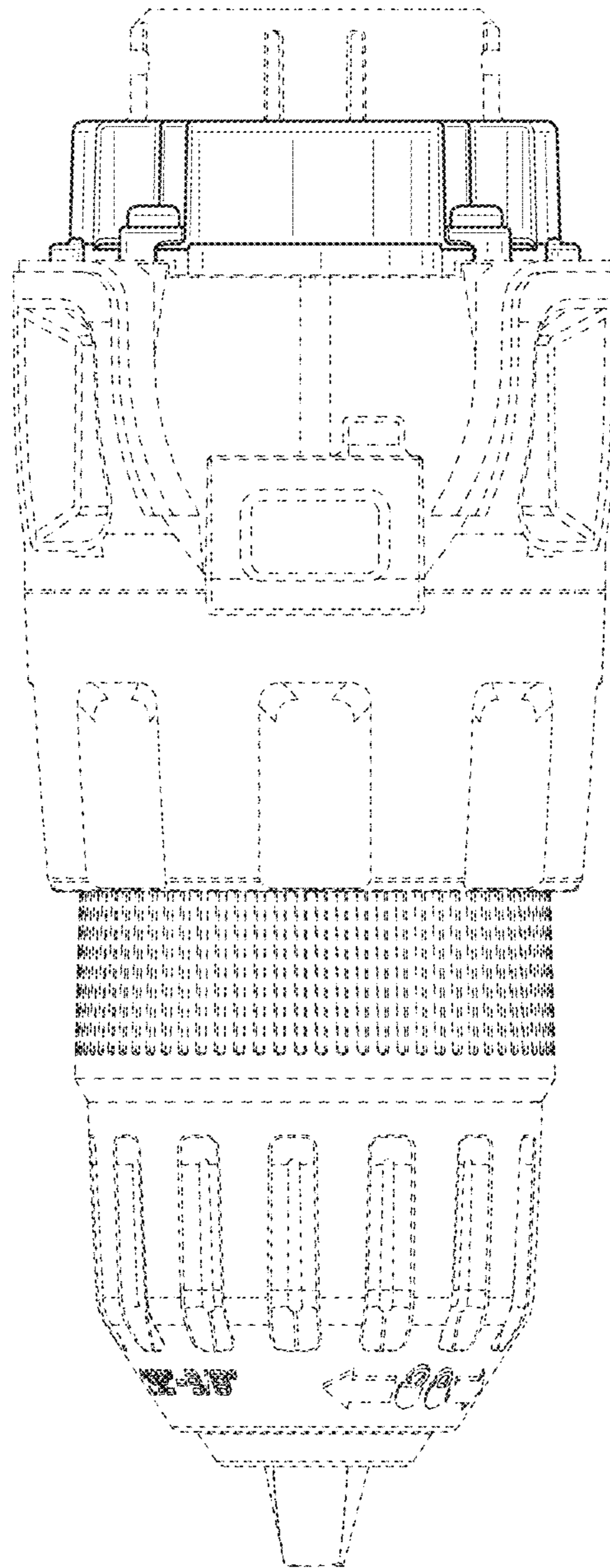


FIG. 7

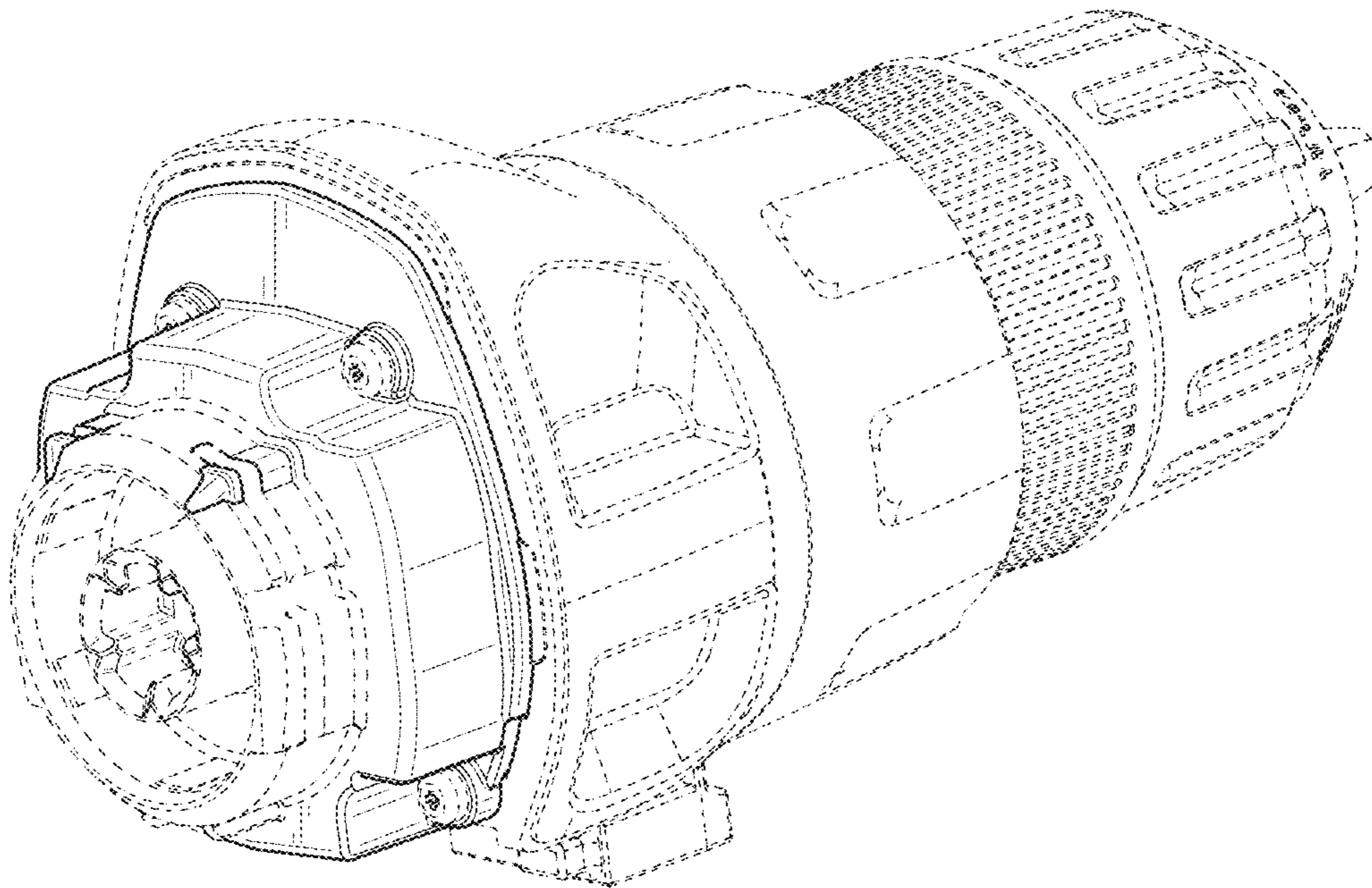


FIG. 8

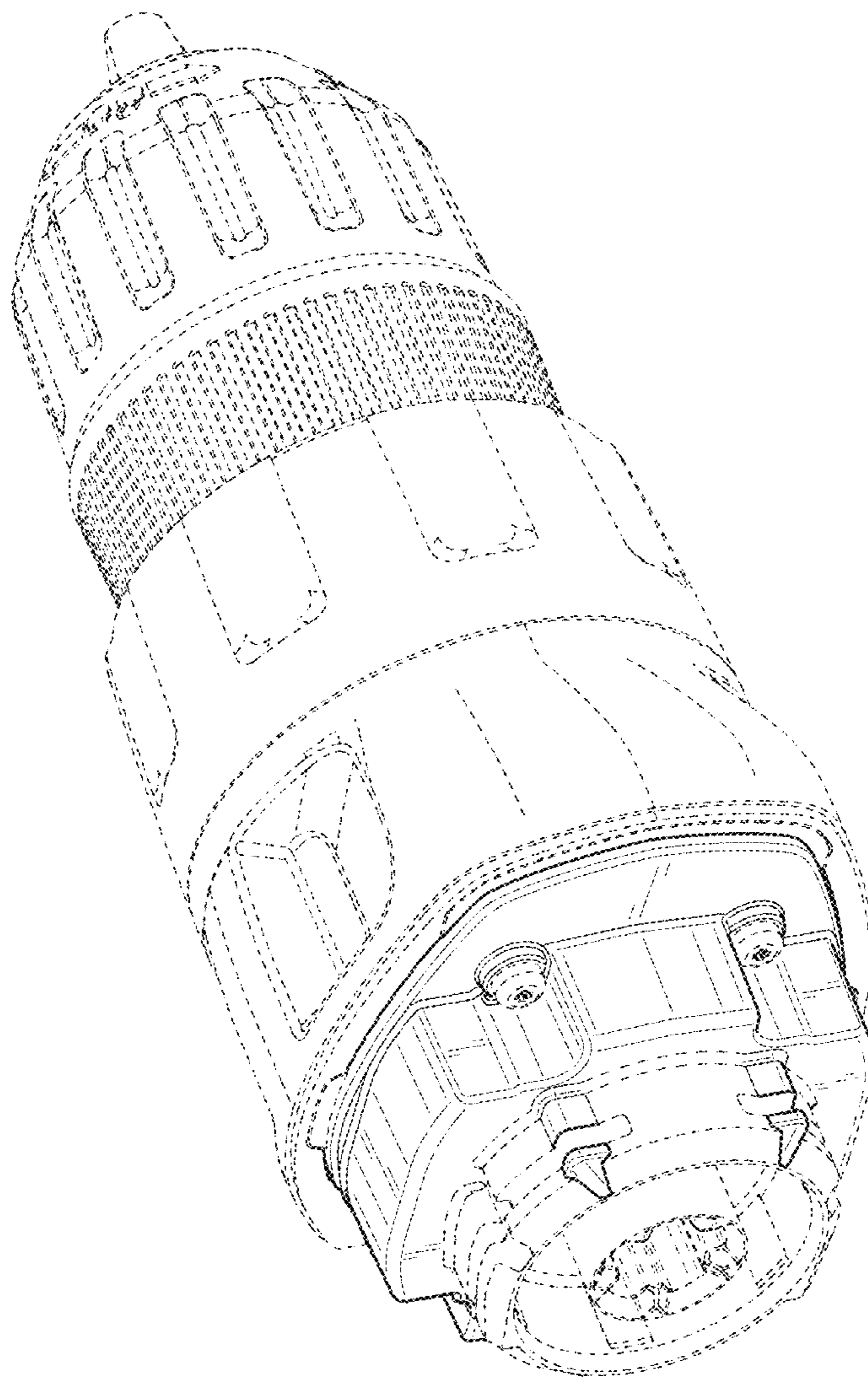


FIG. 9

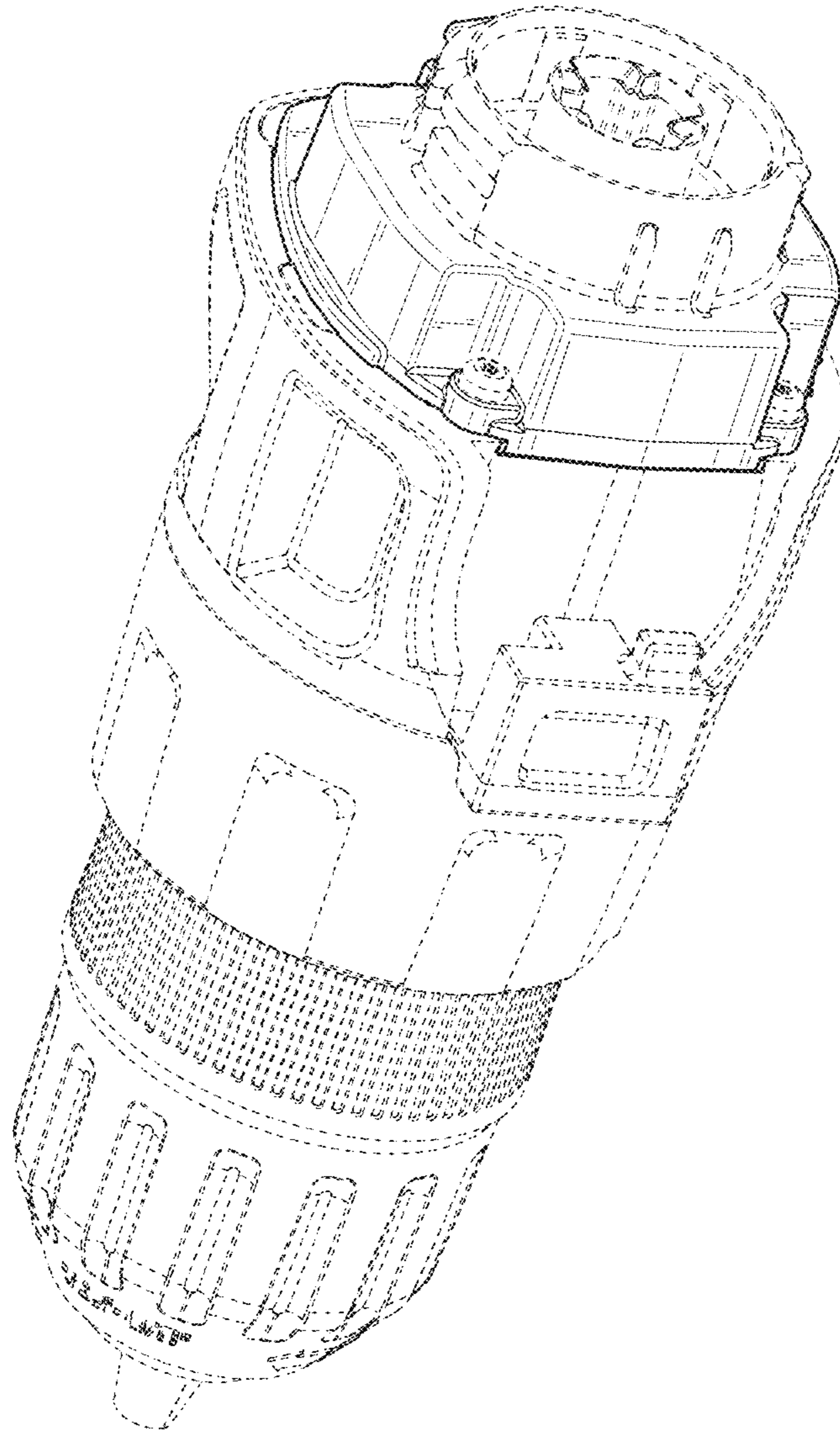


FIG. 10

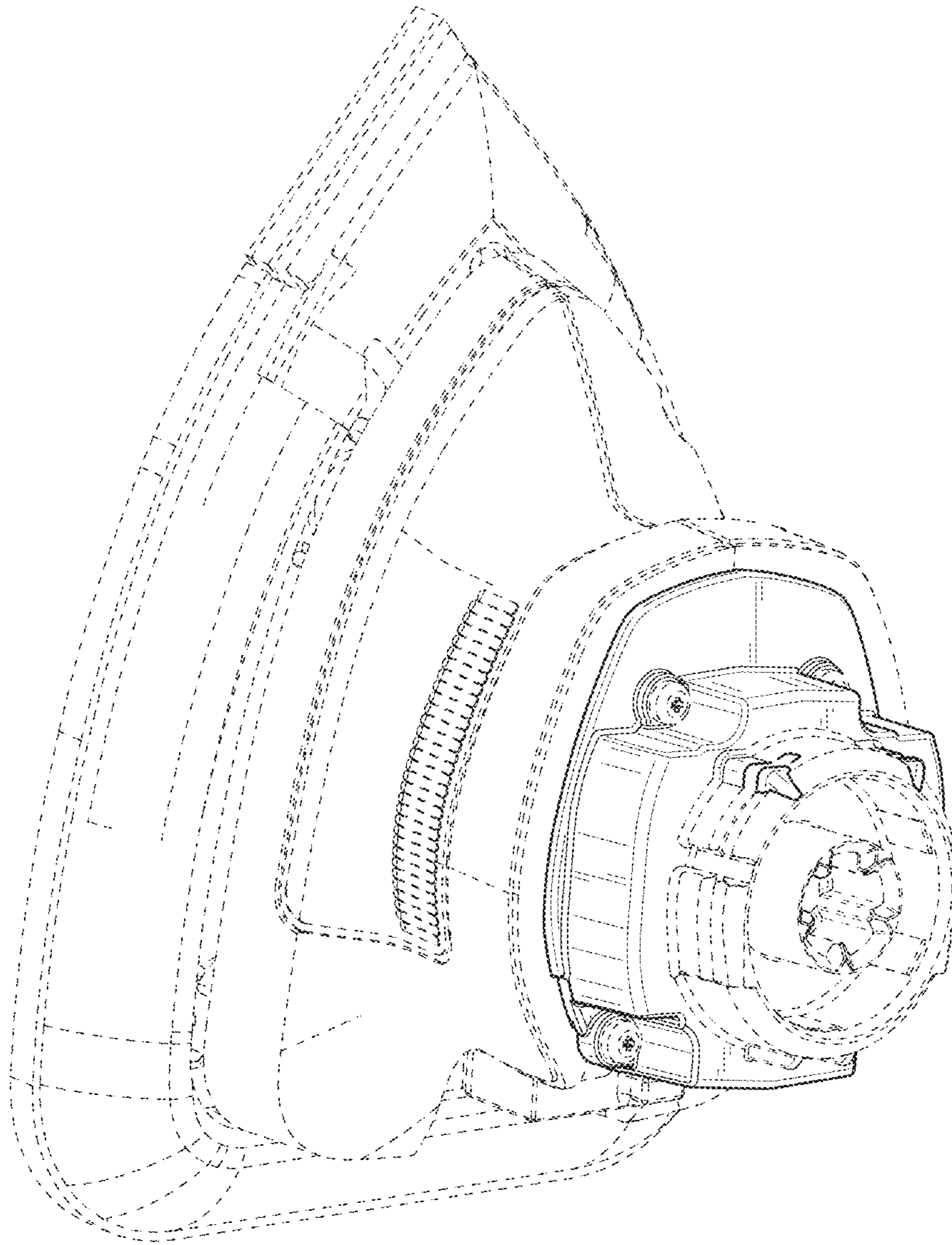


FIG. 11

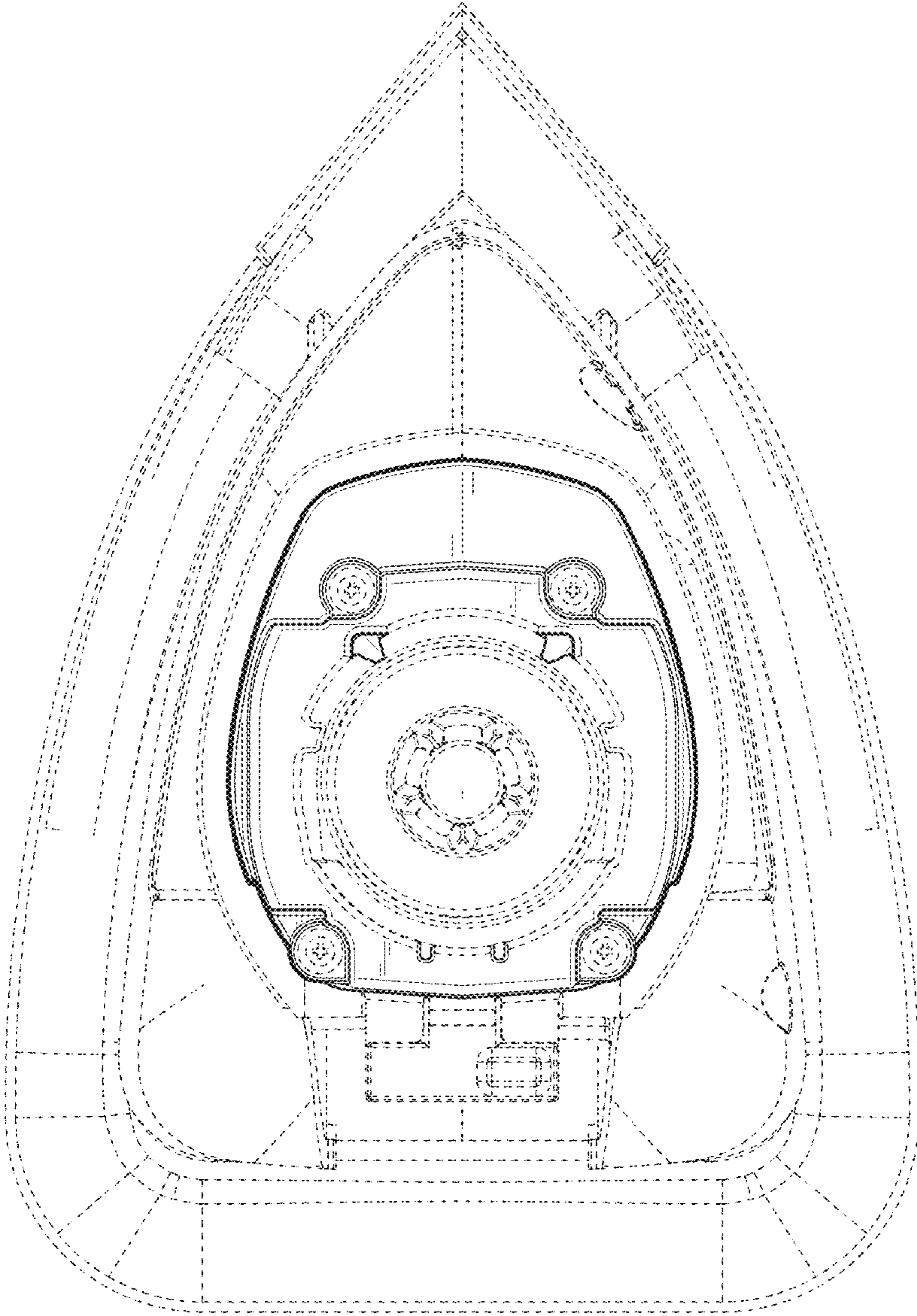


FIG. 12

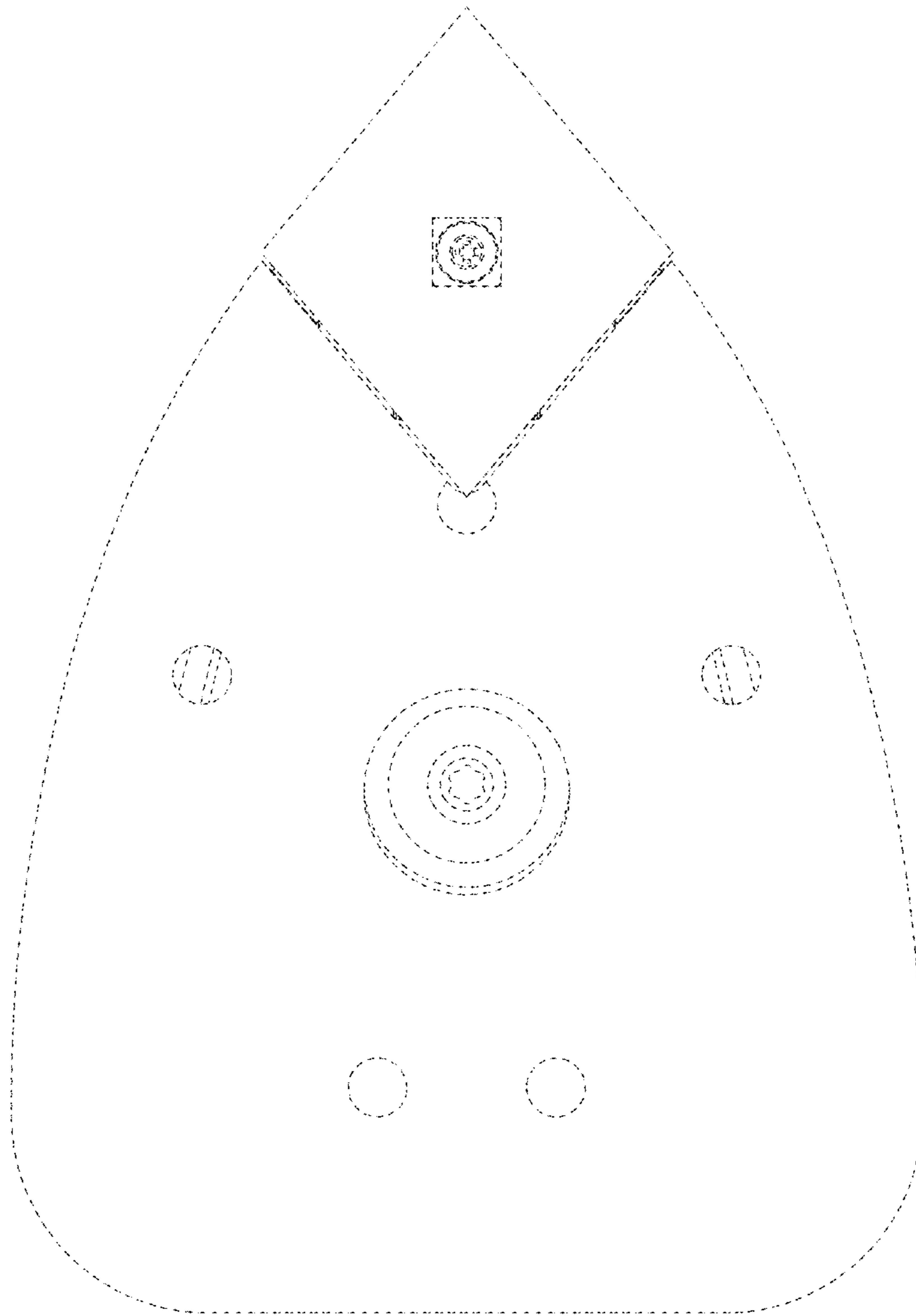


FIG. 13

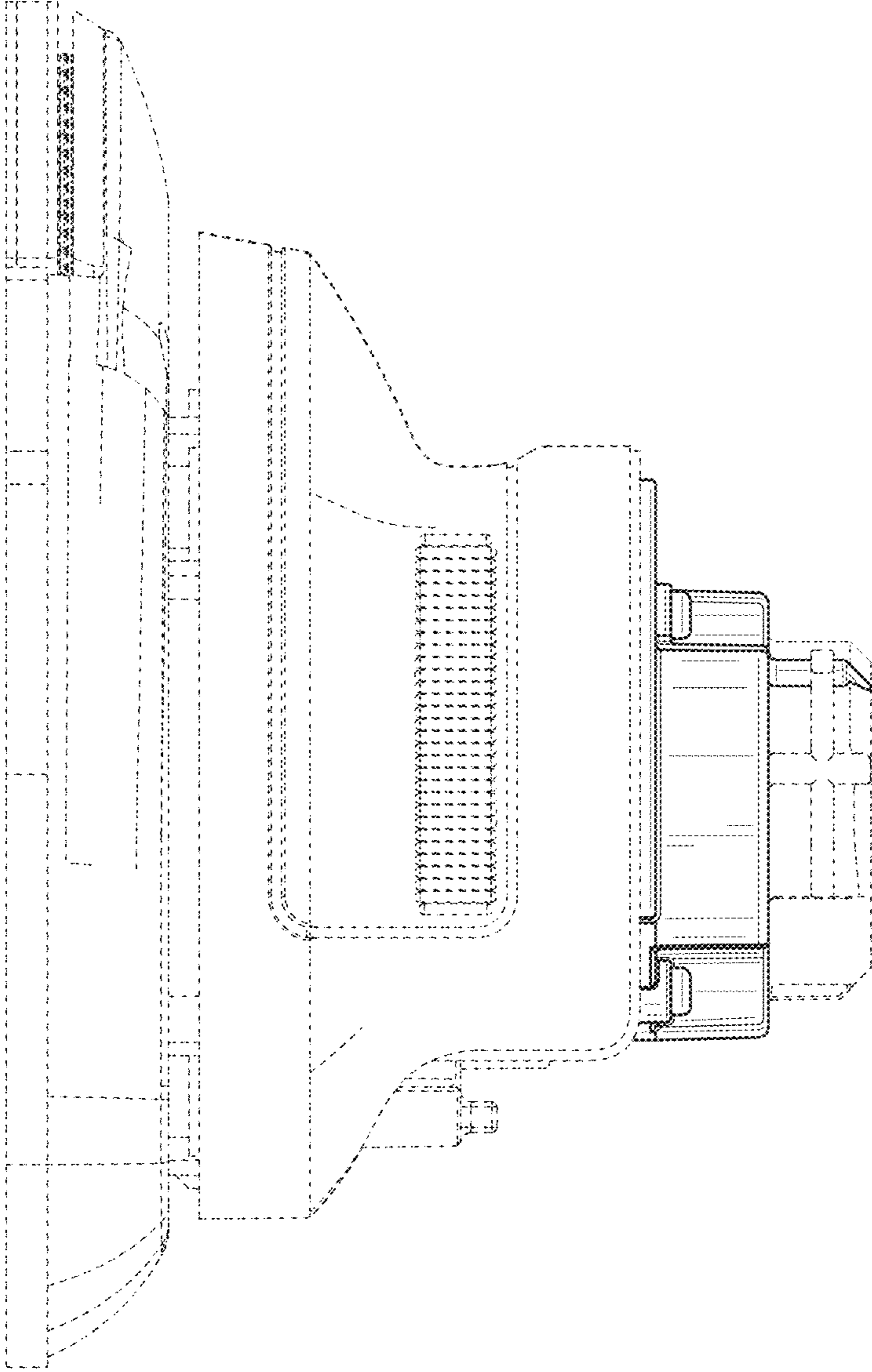


FIG. 14

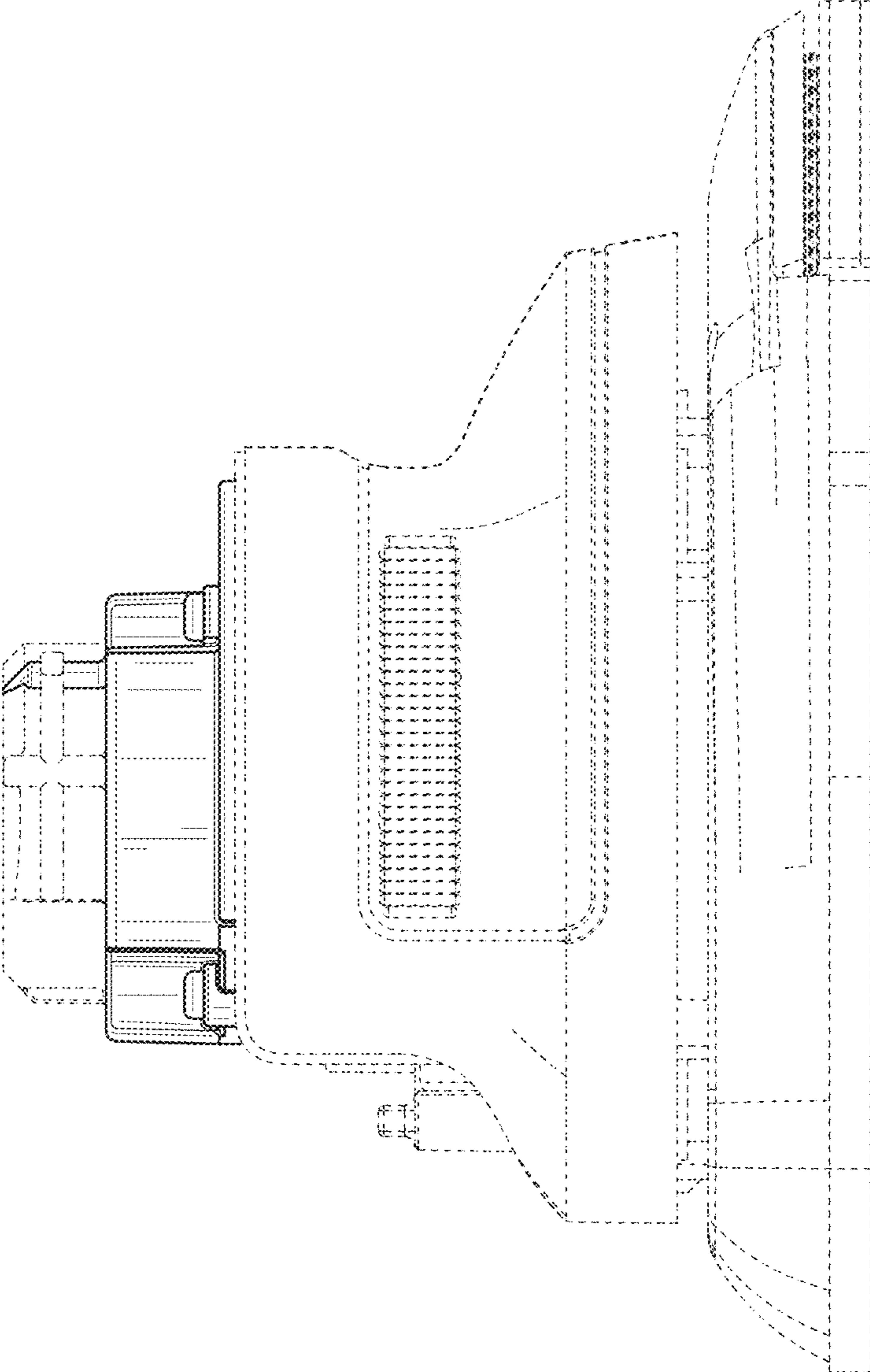


FIG. 15

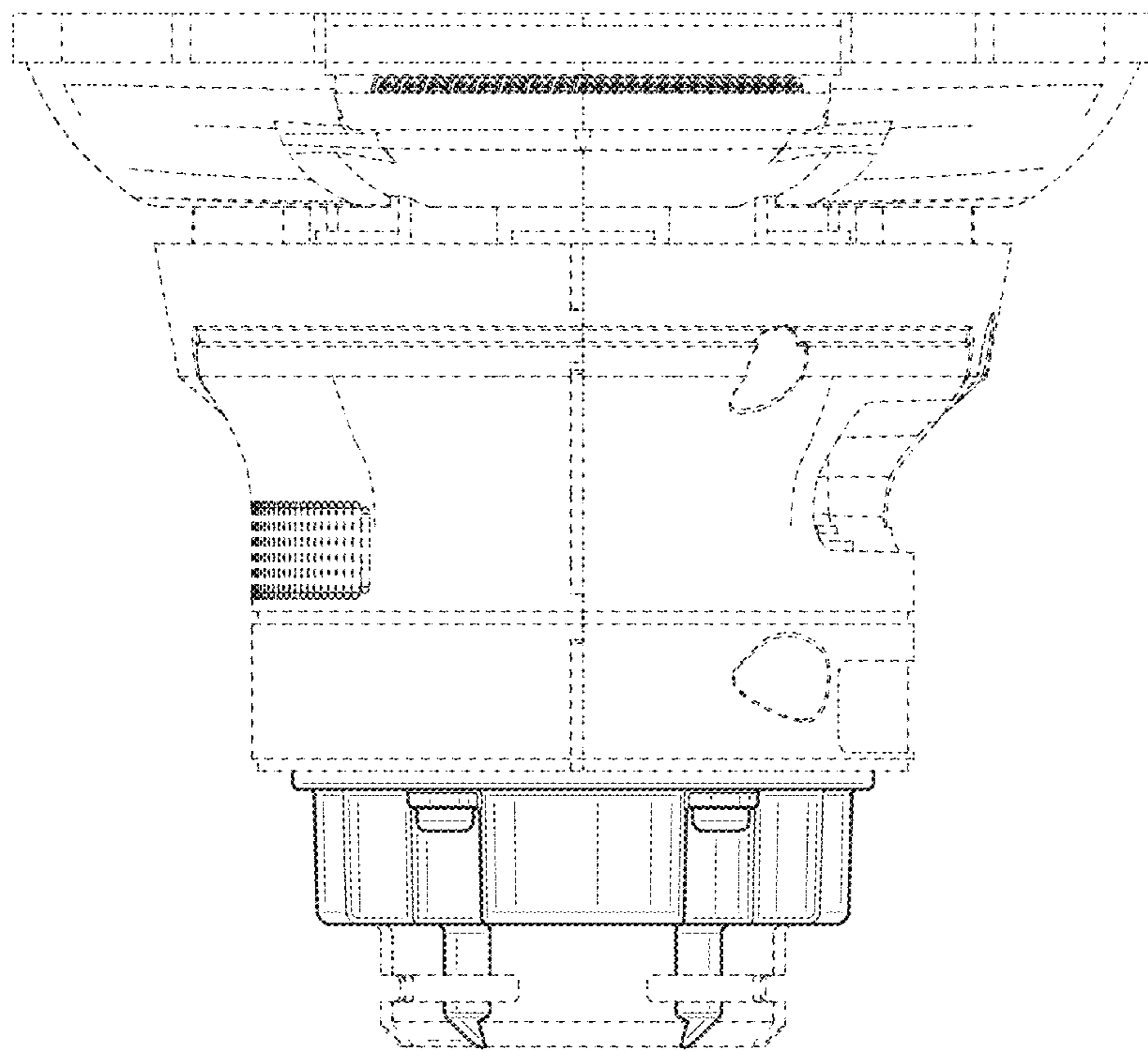


FIG. 16

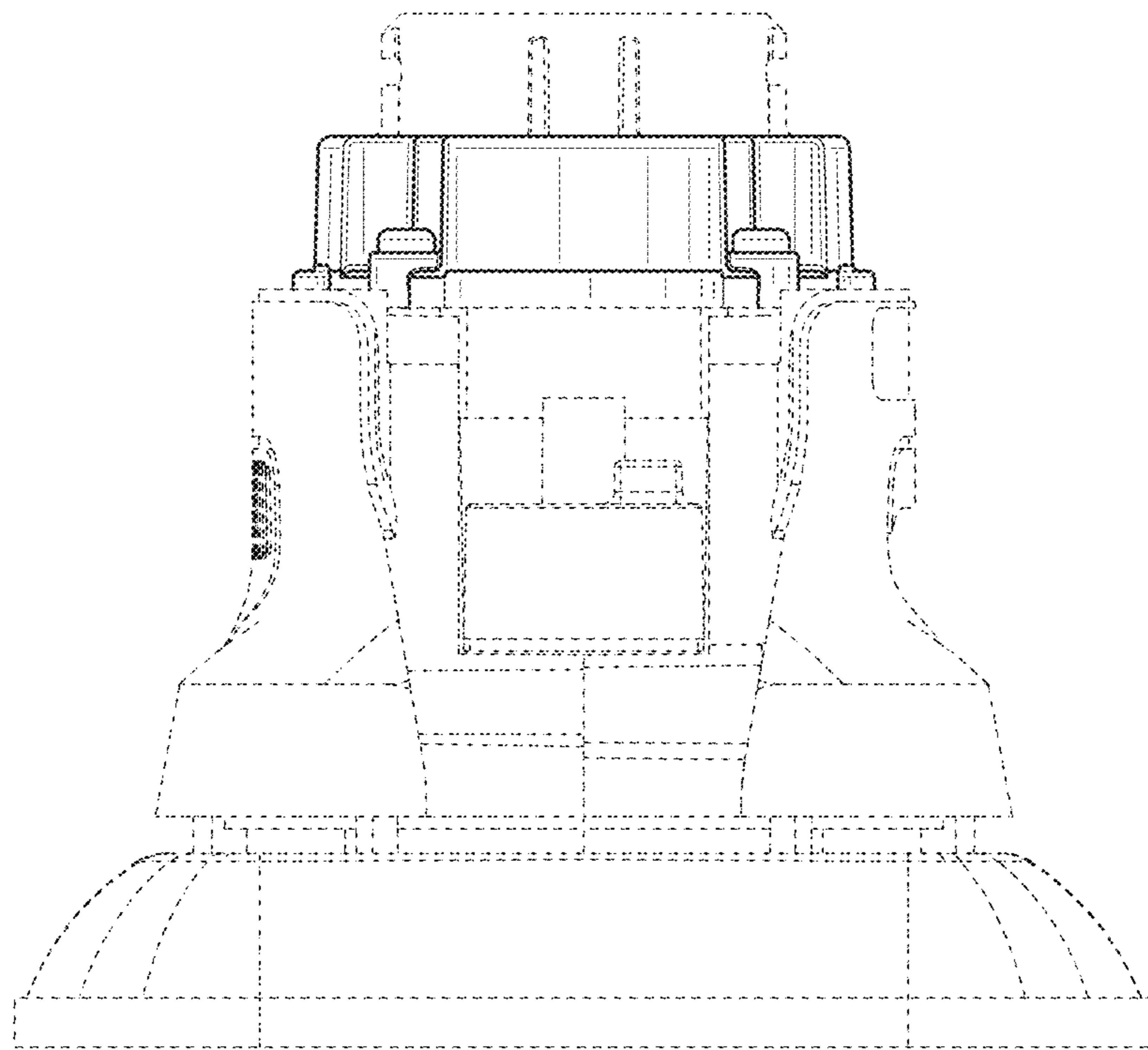


FIG. 17

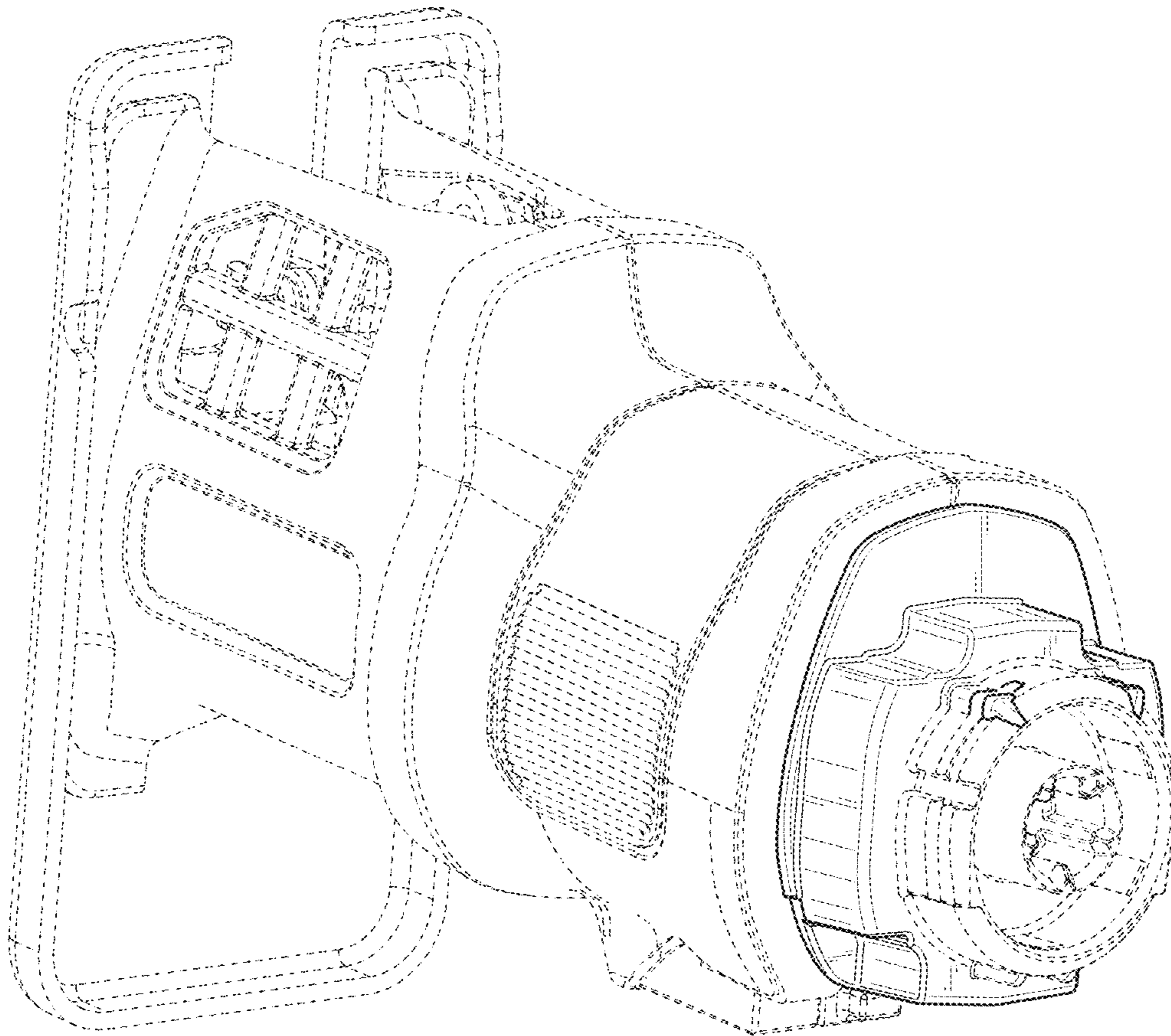


FIG. 18

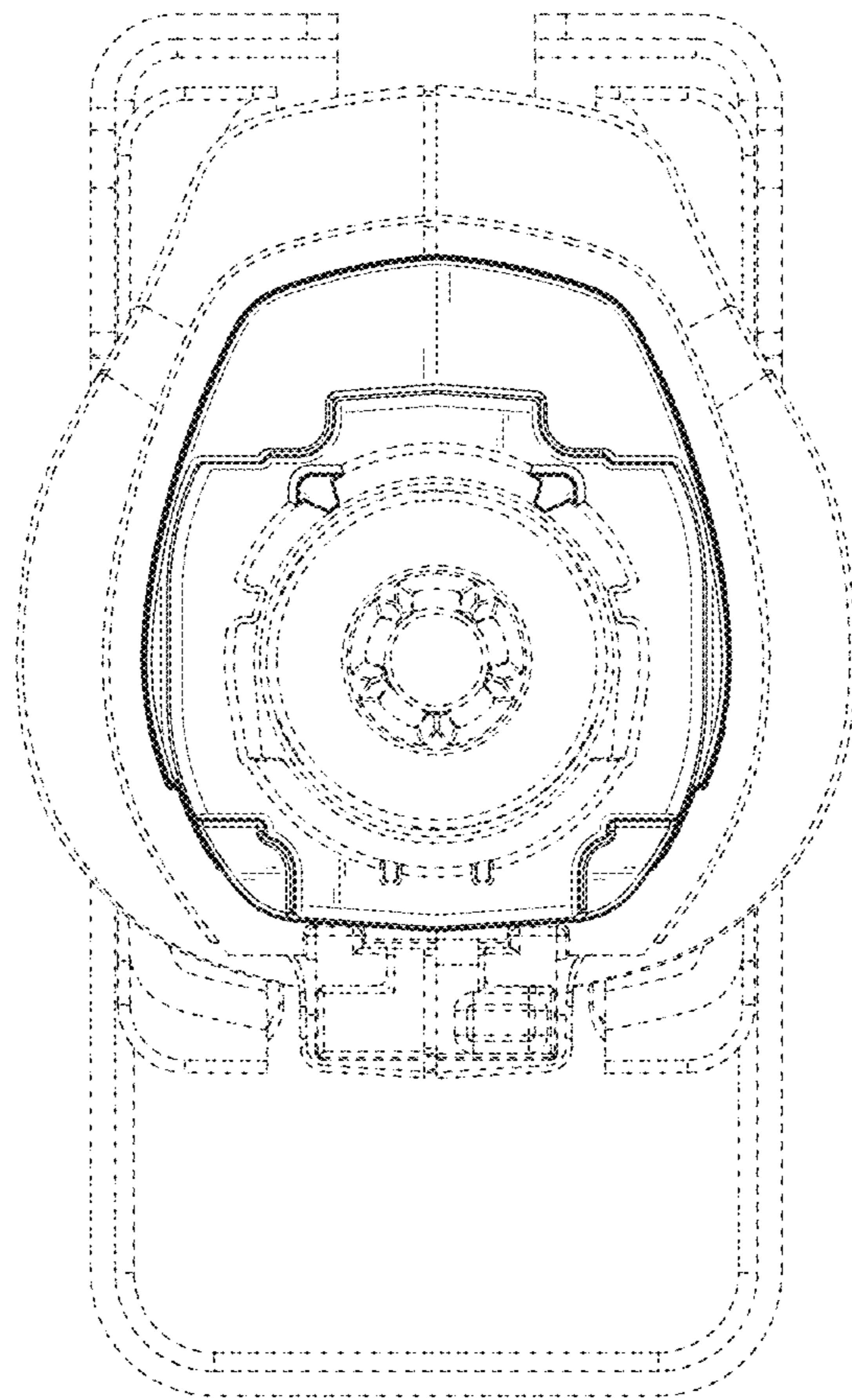


FIG. 19

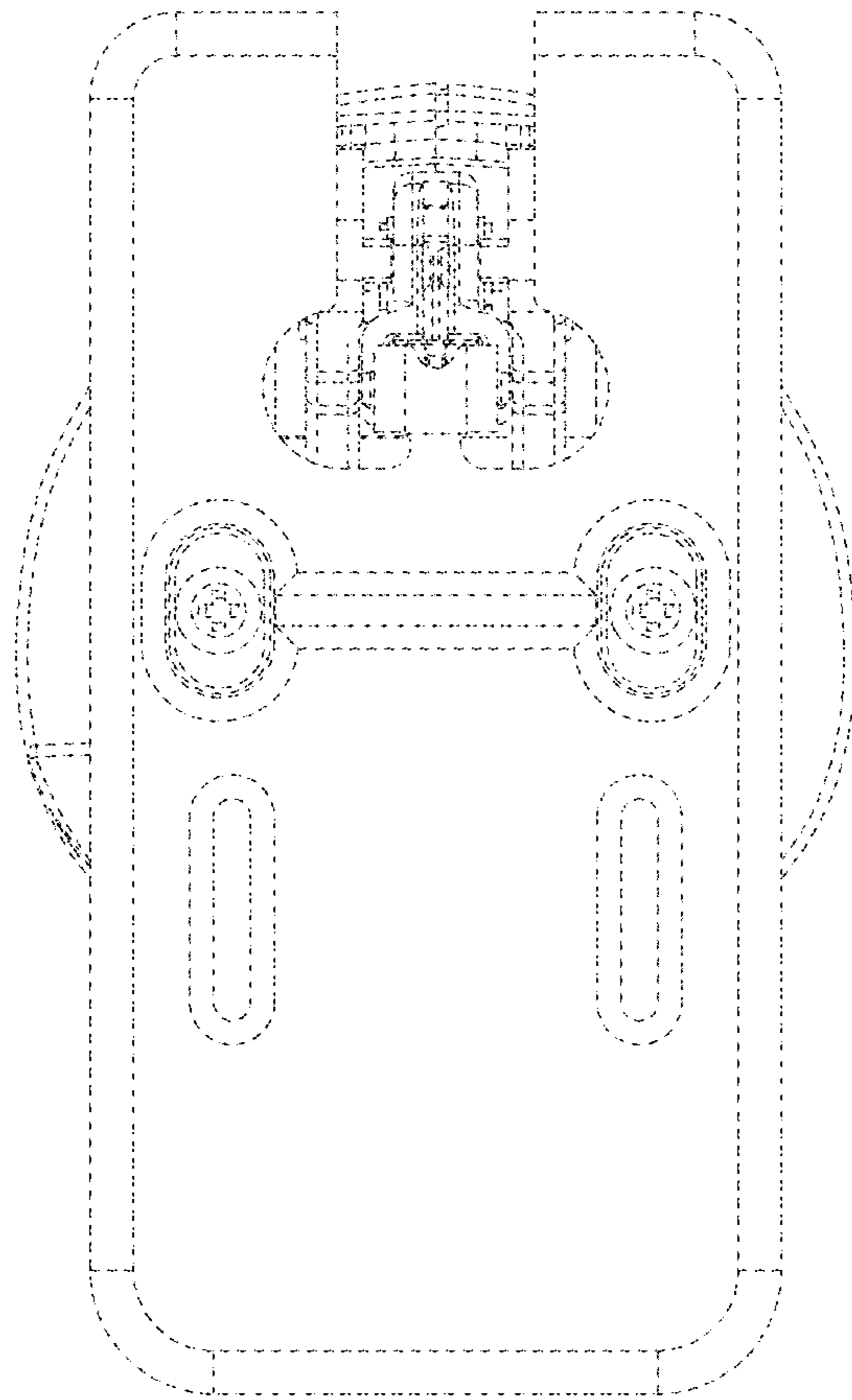


FIG. 20

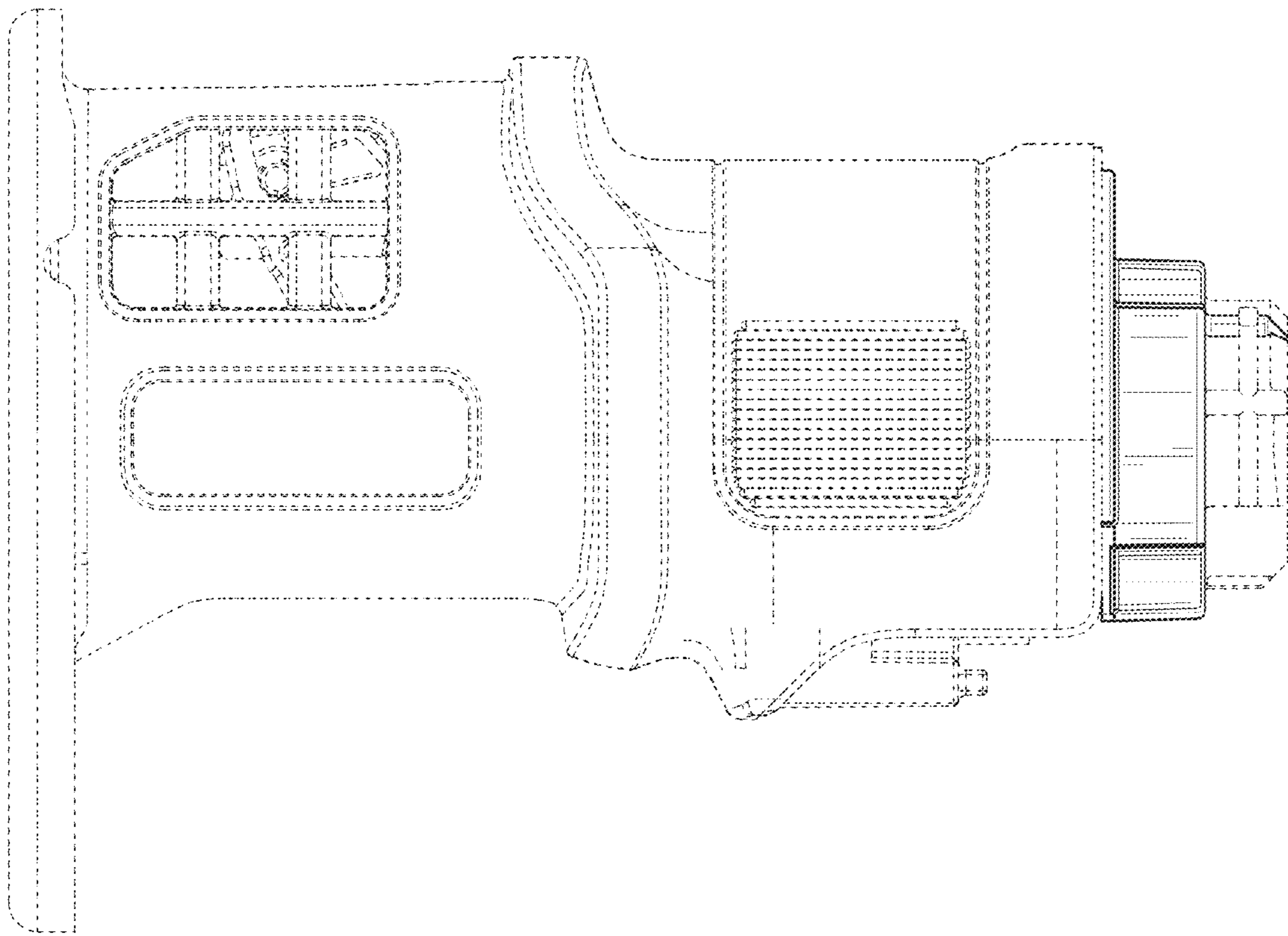


FIG. 21

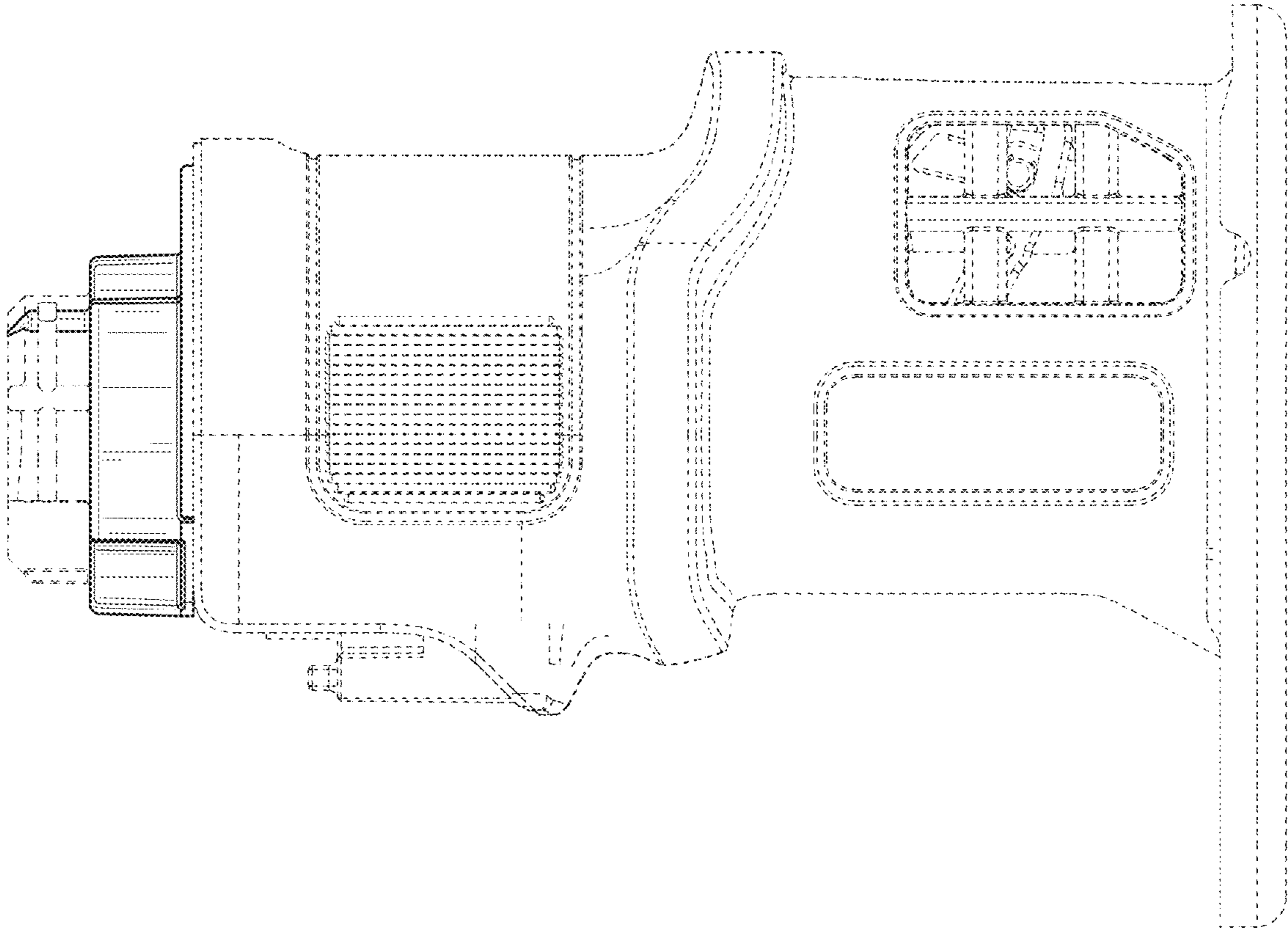


FIG. 22

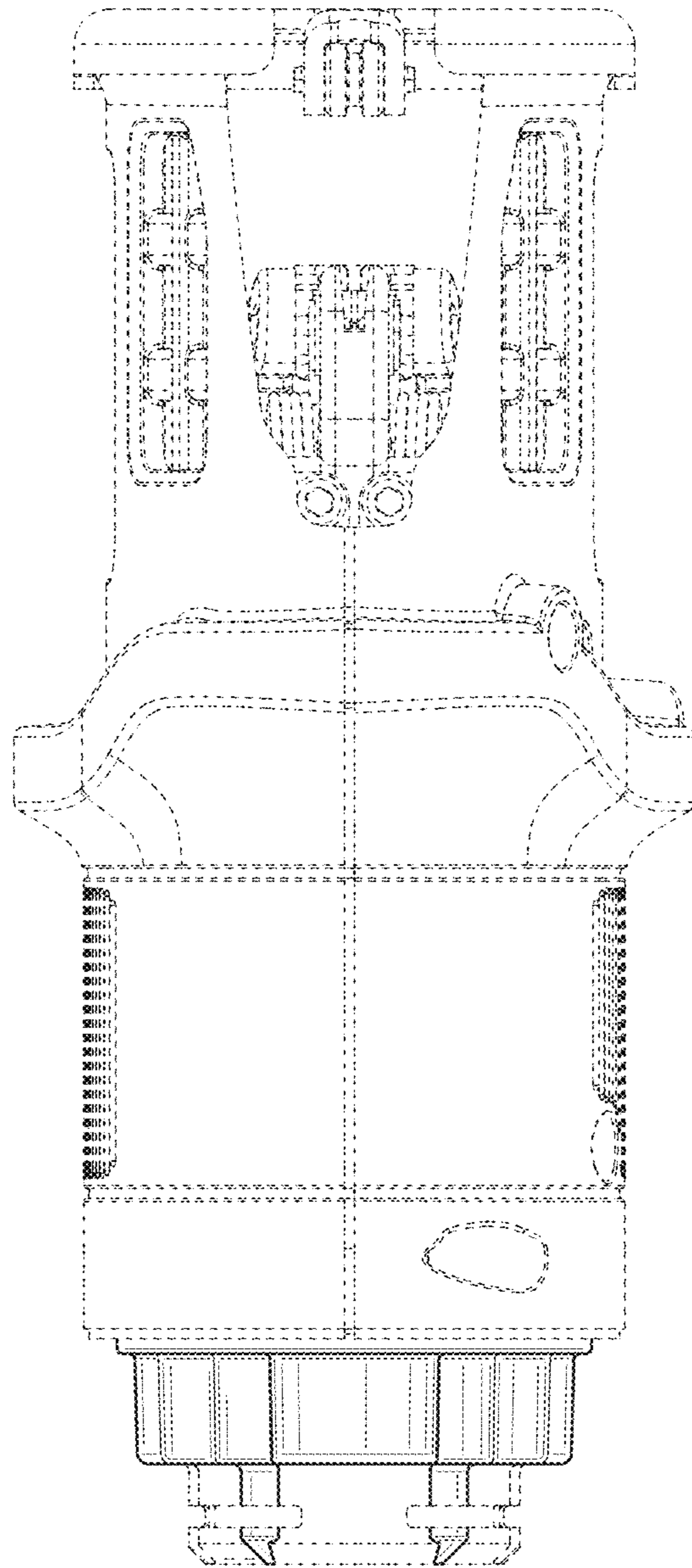


FIG. 23

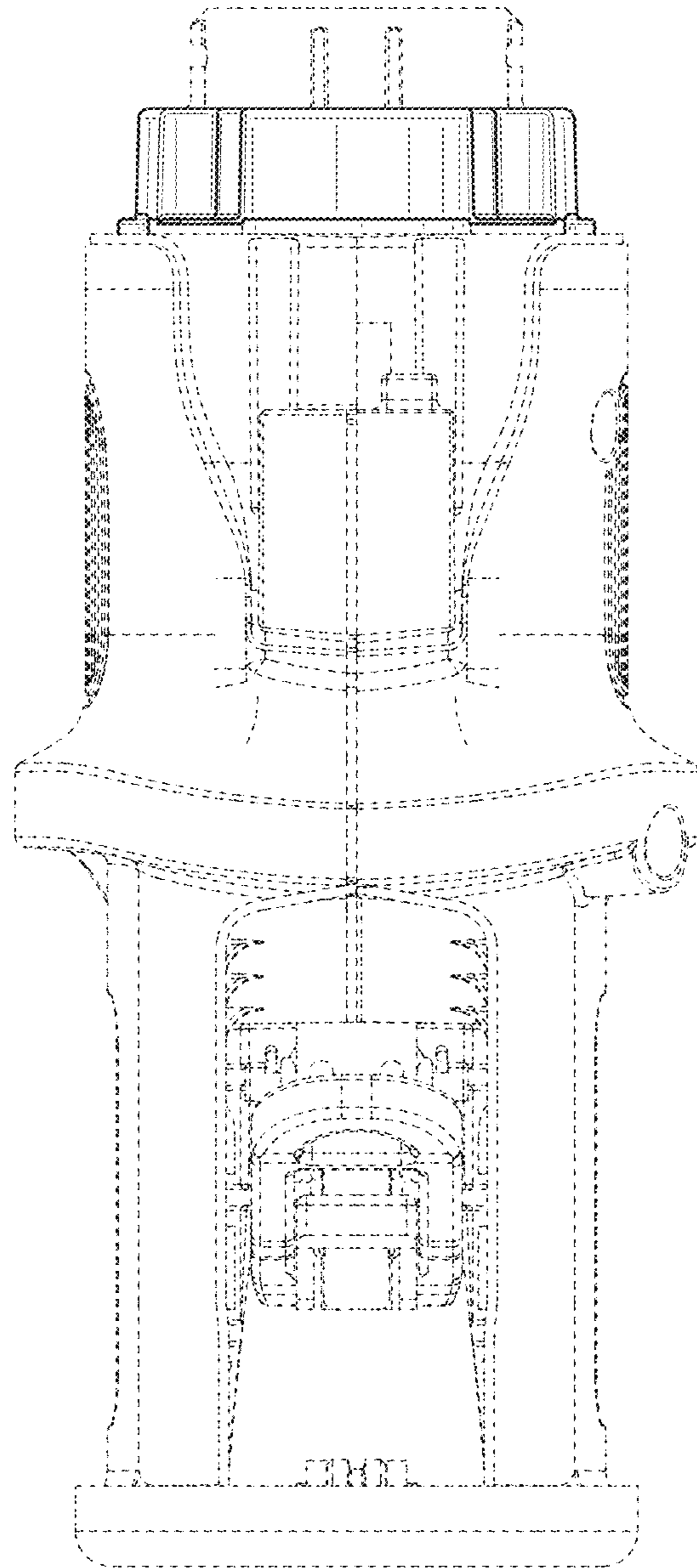


FIG. 24

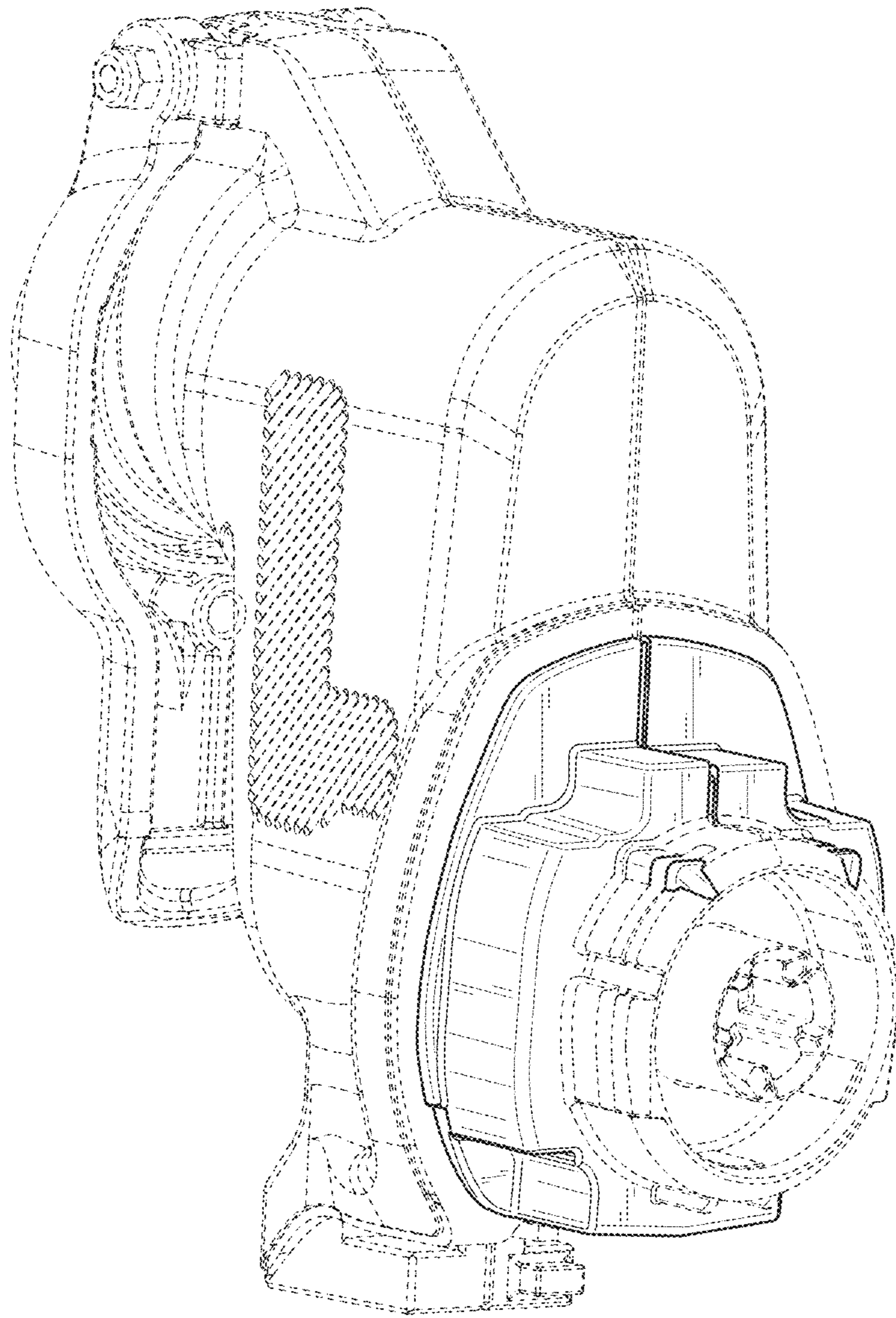


FIG. 25

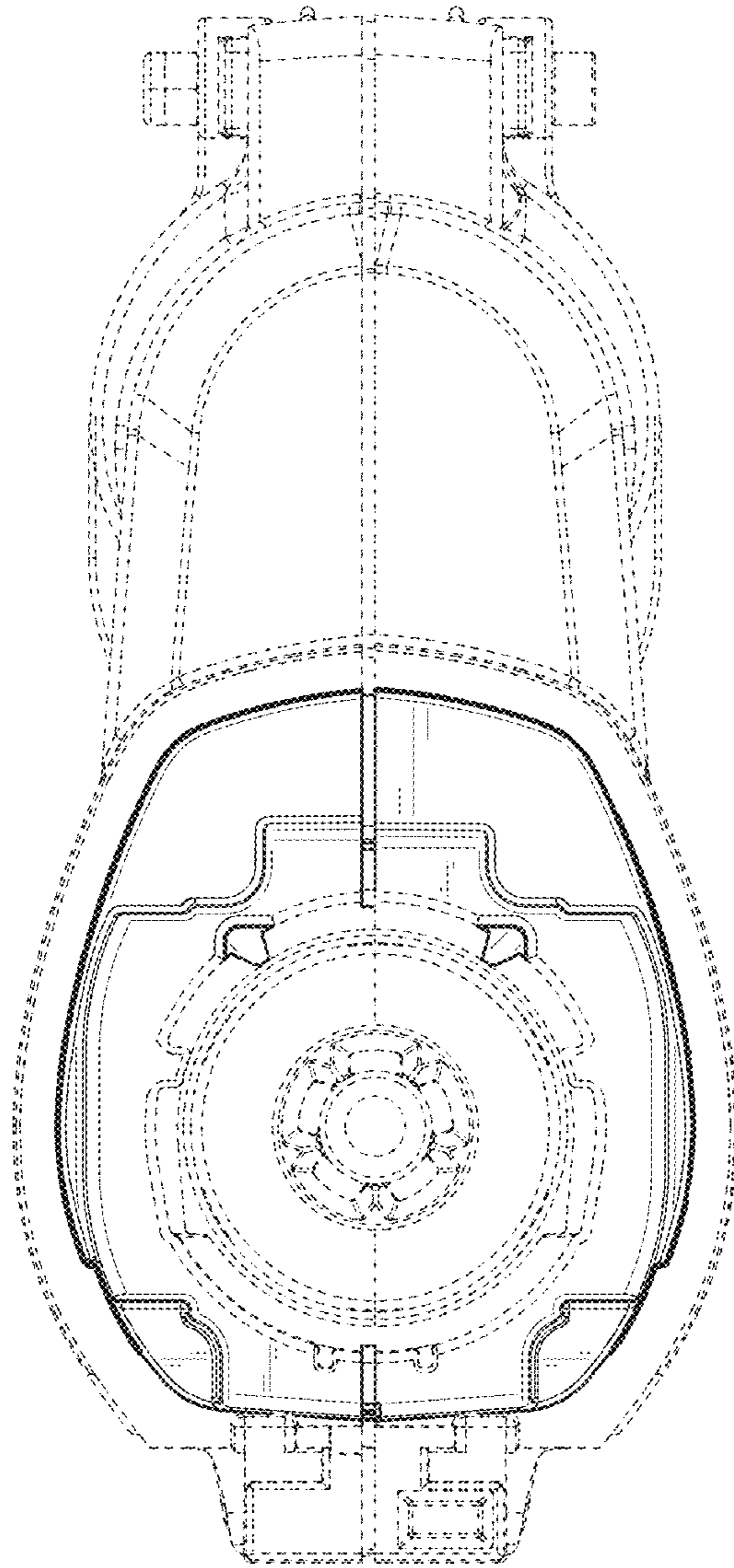


FIG. 26

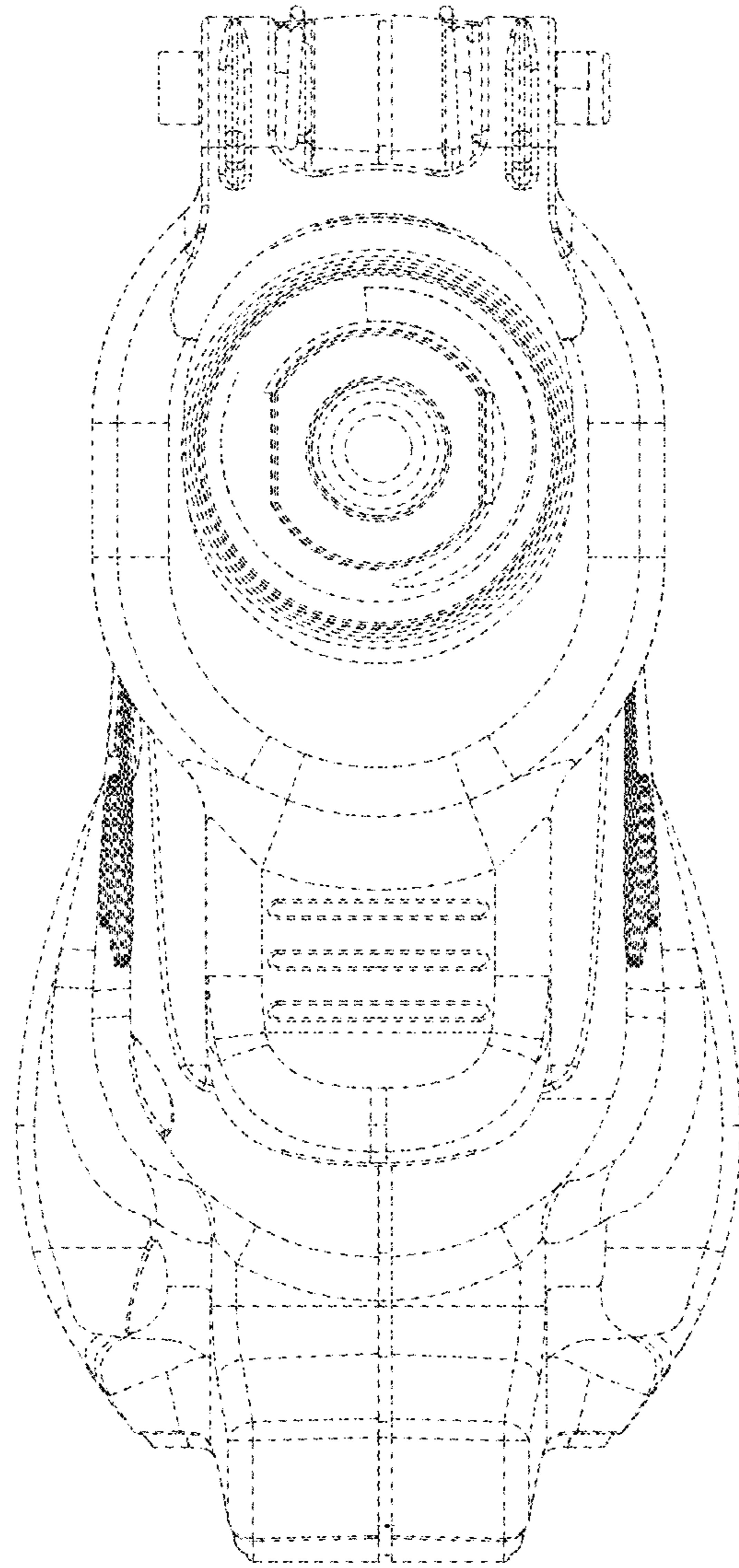


FIG. 27

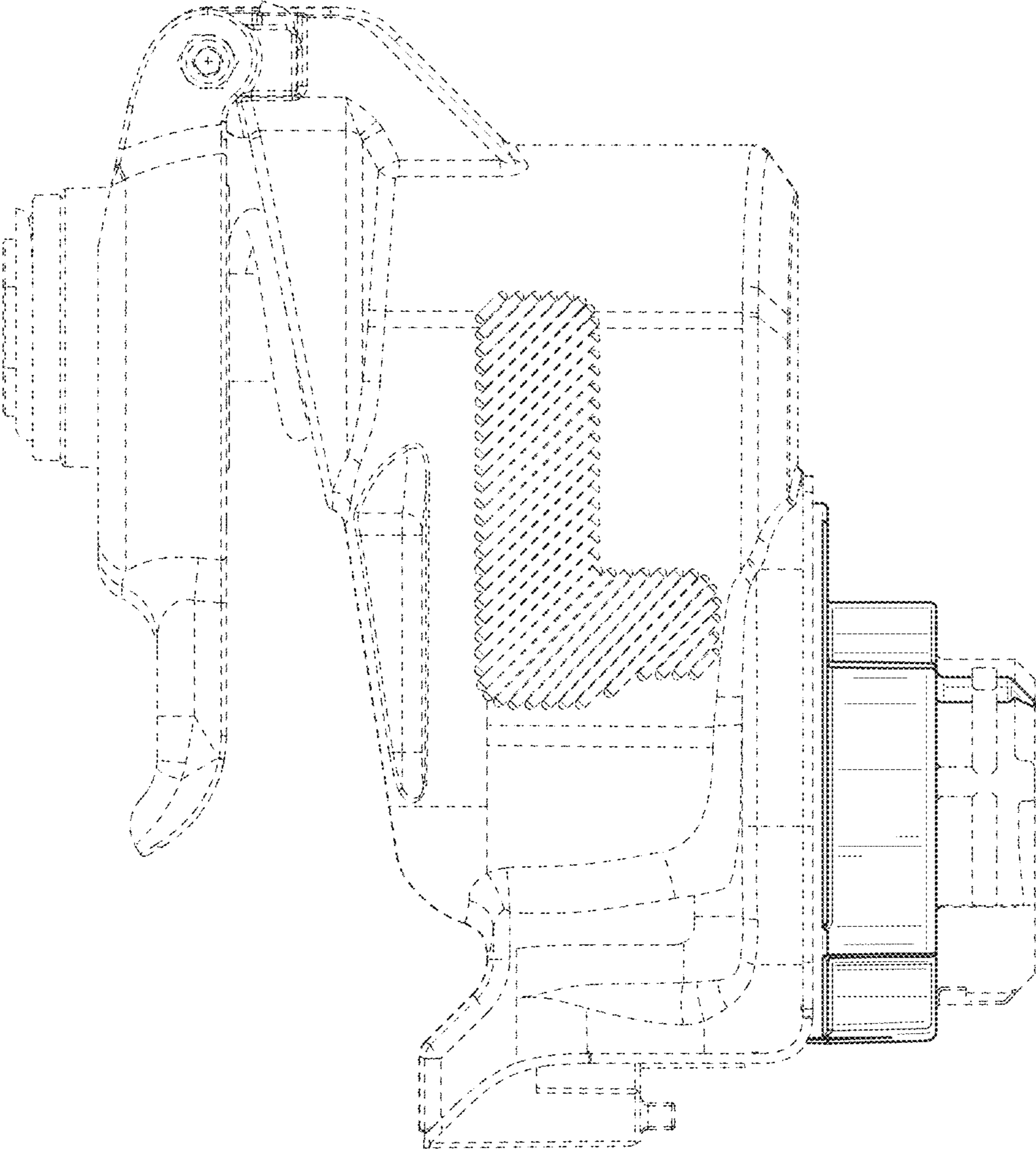


FIG. 28

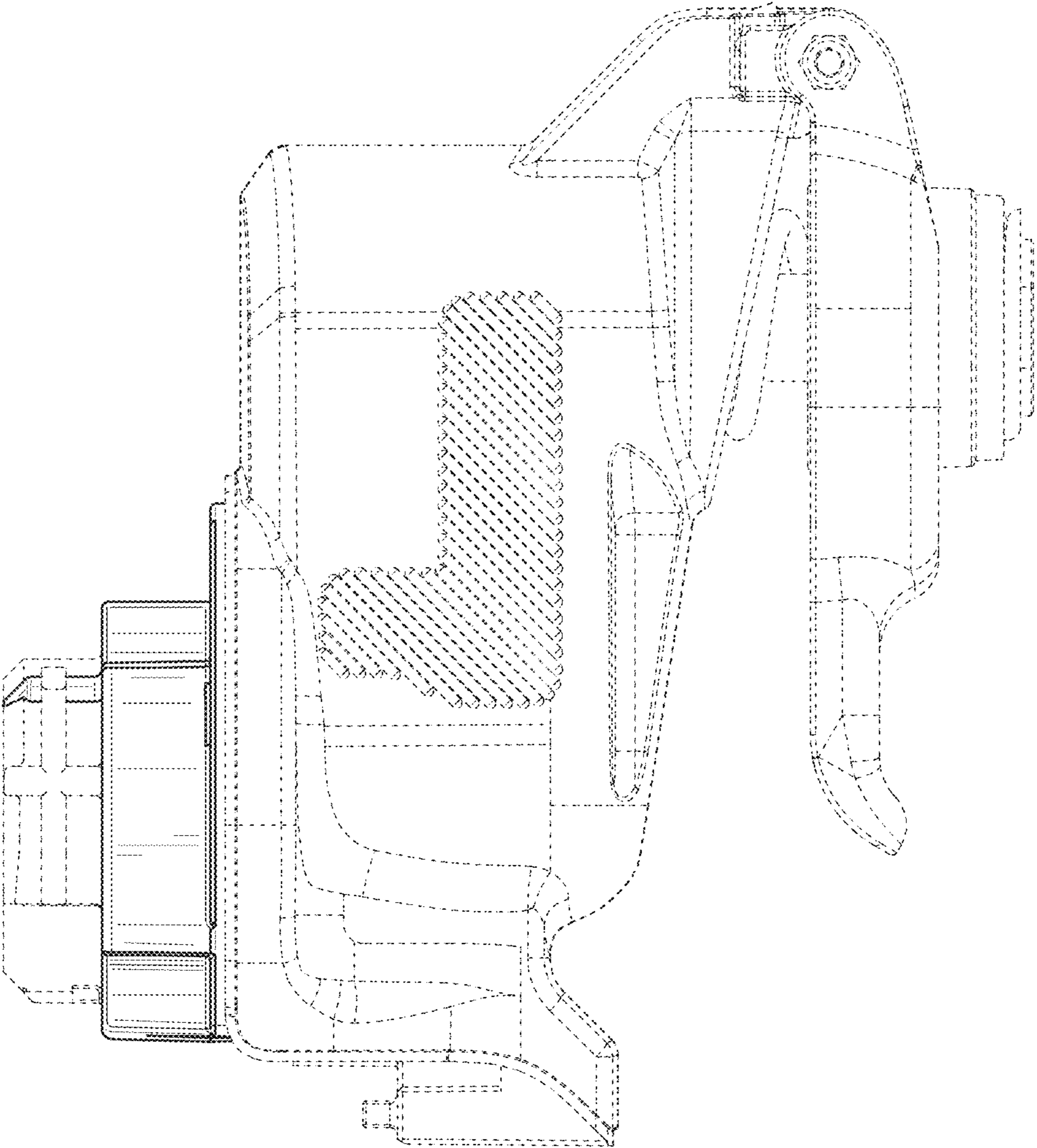


FIG. 29

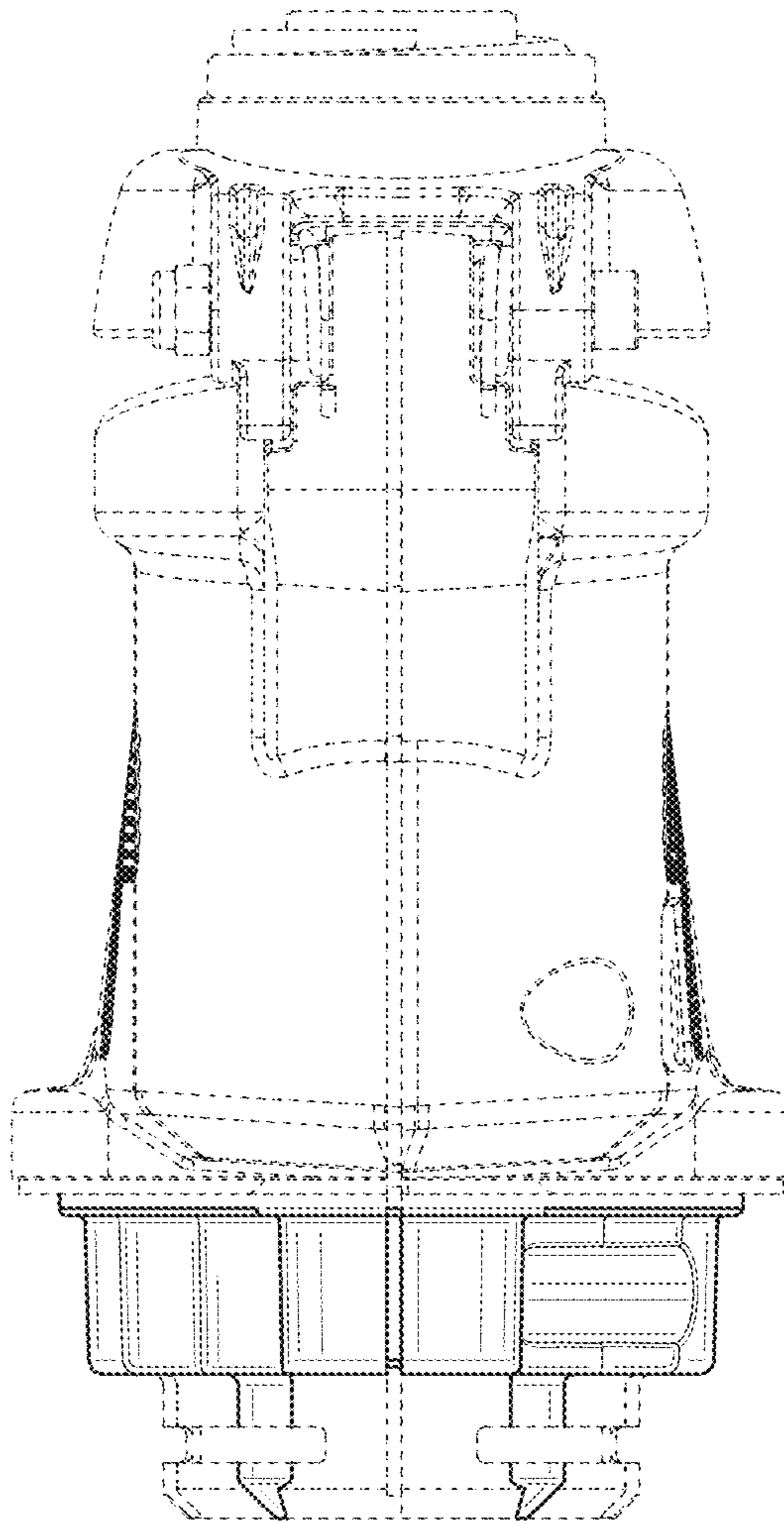


FIG. 30

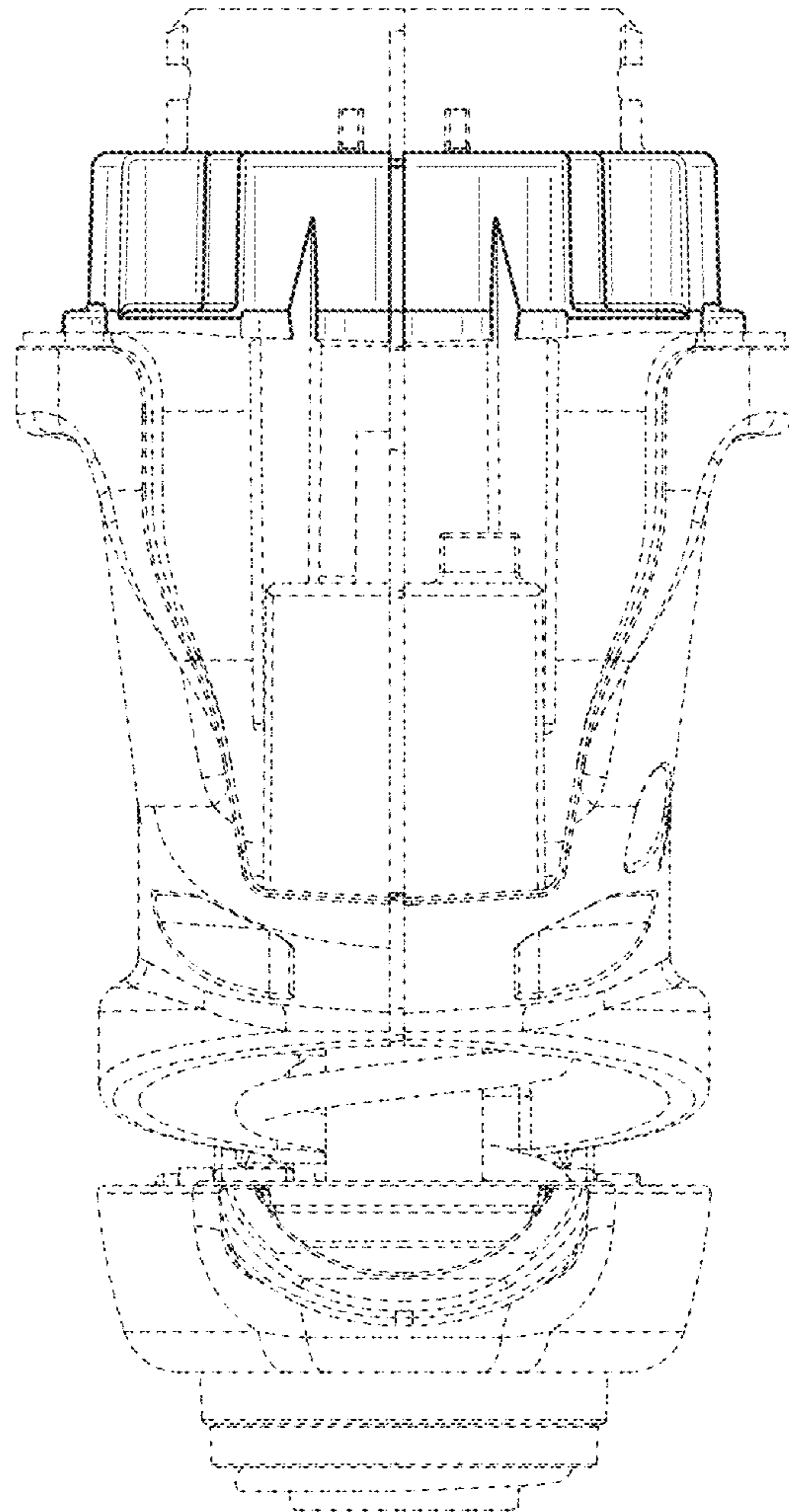


FIG. 31

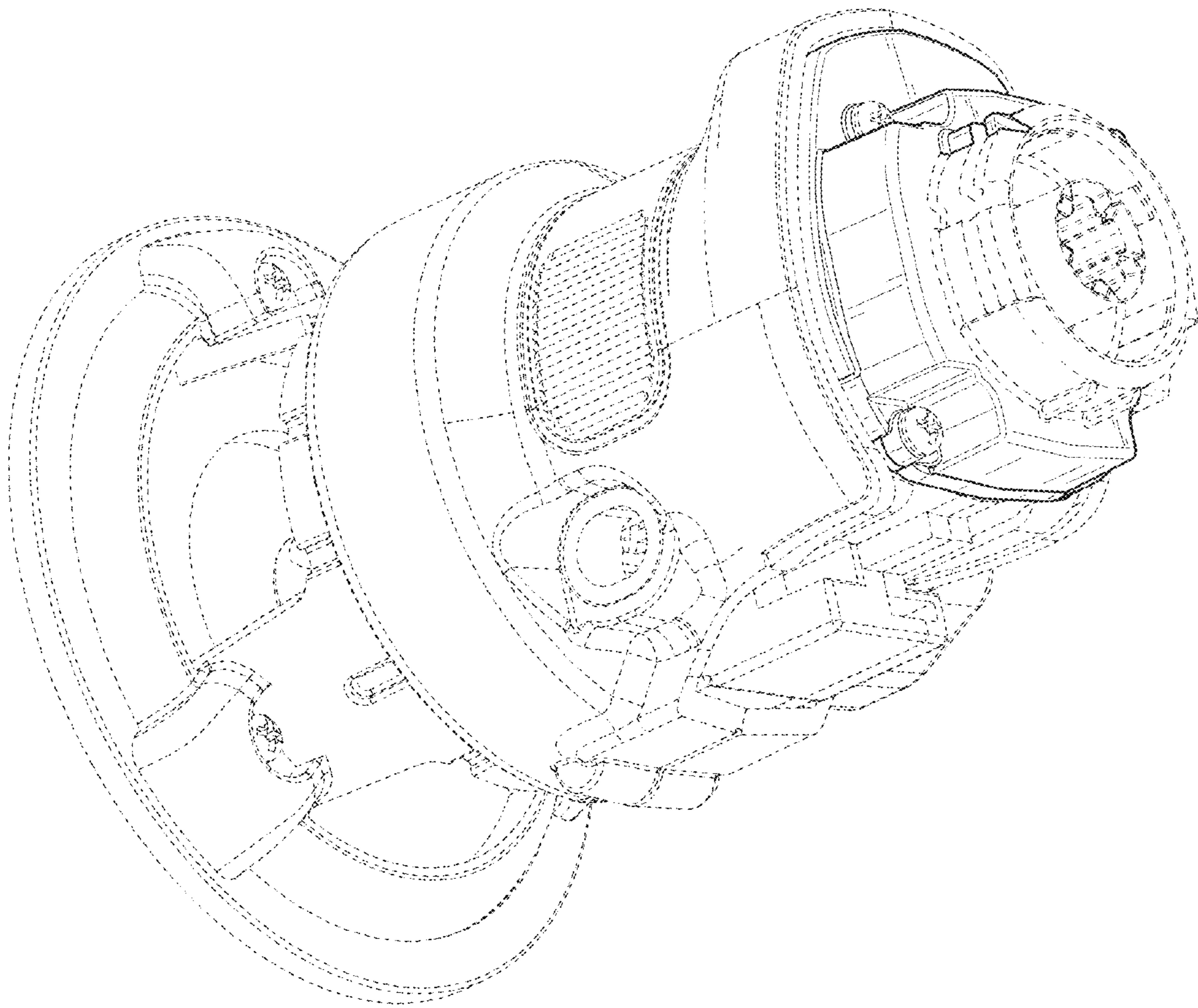


FIG. 32

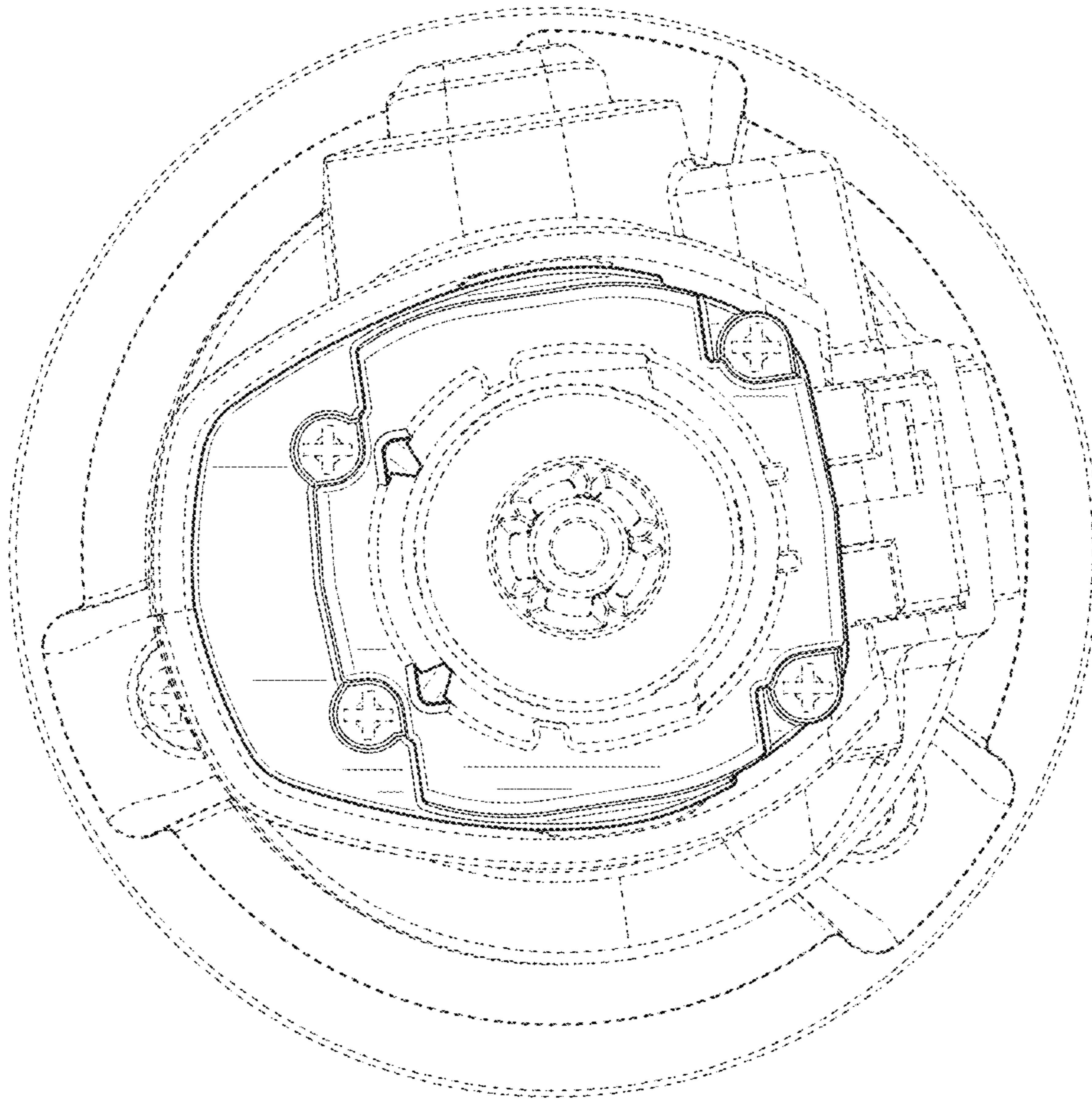


FIG. 33

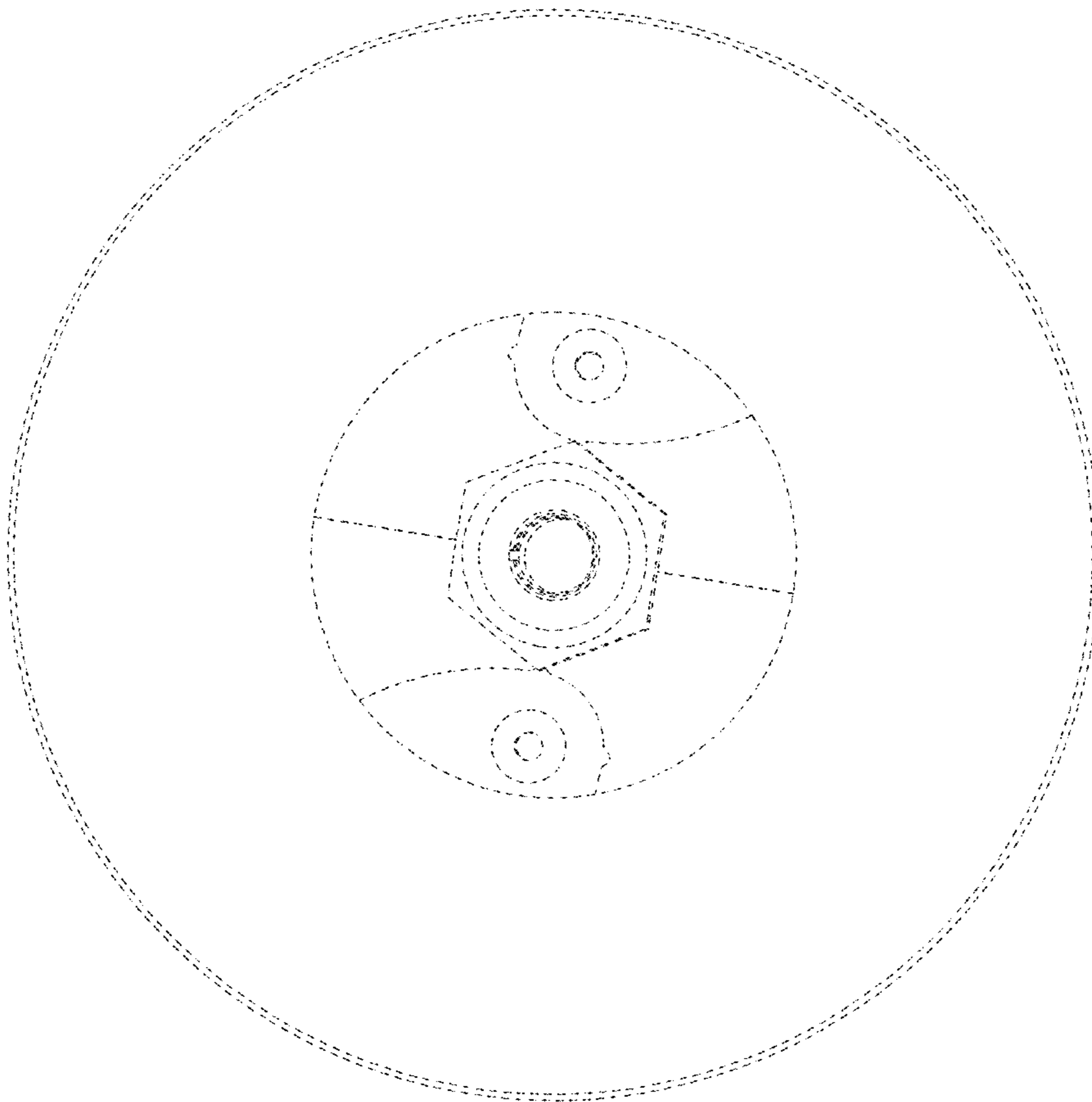


FIG. 34

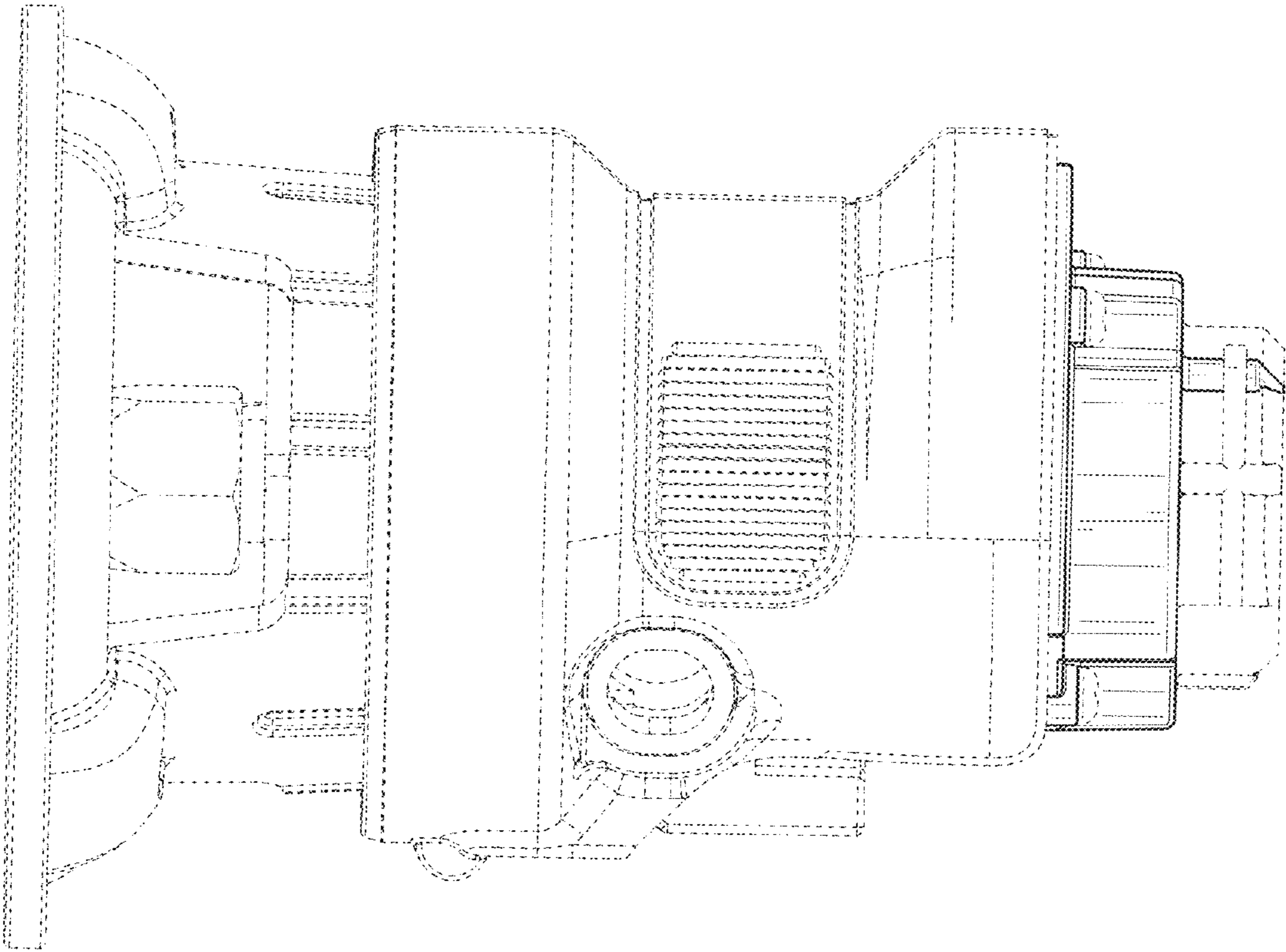


FIG. 35

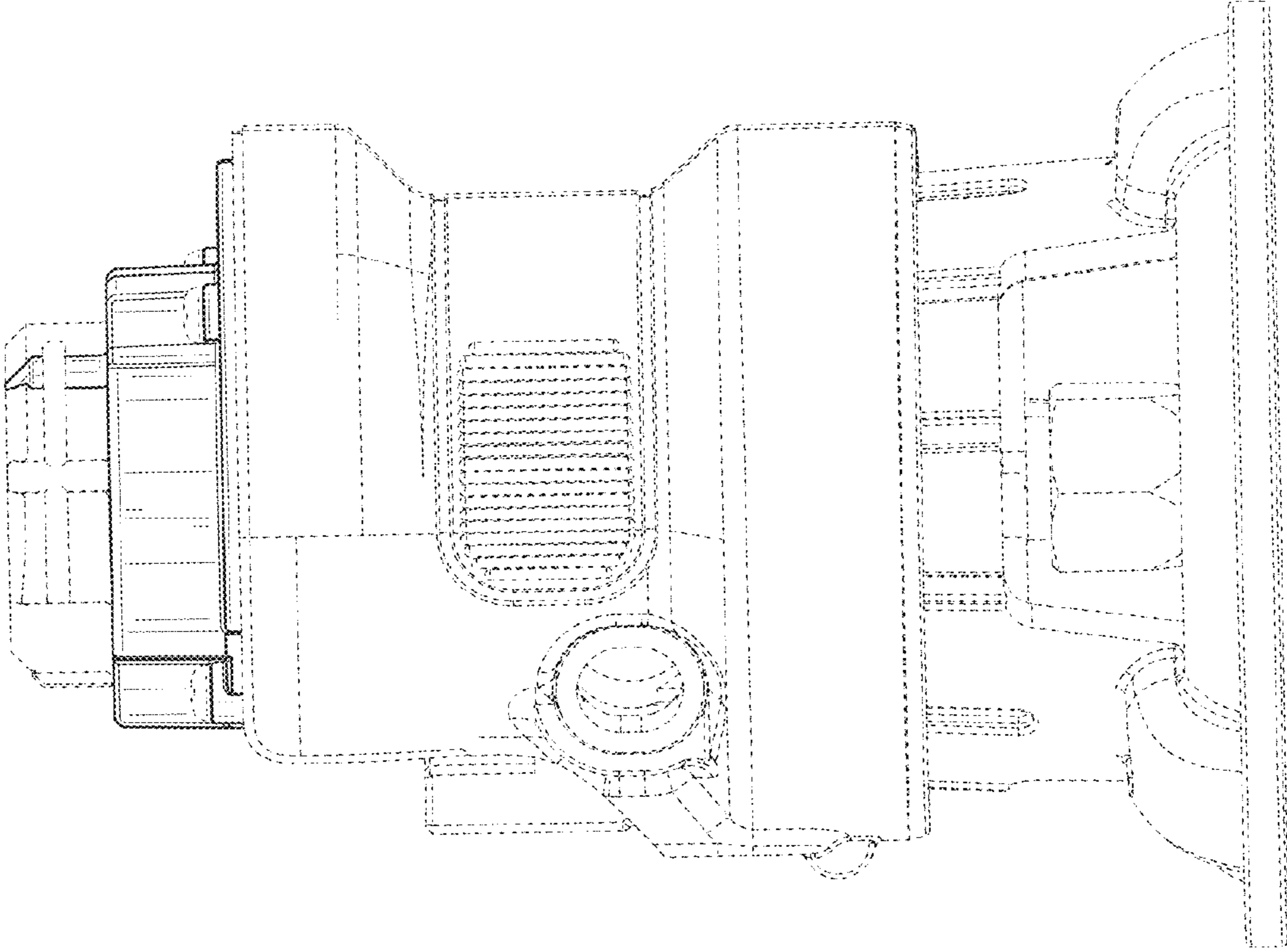


FIG. 36

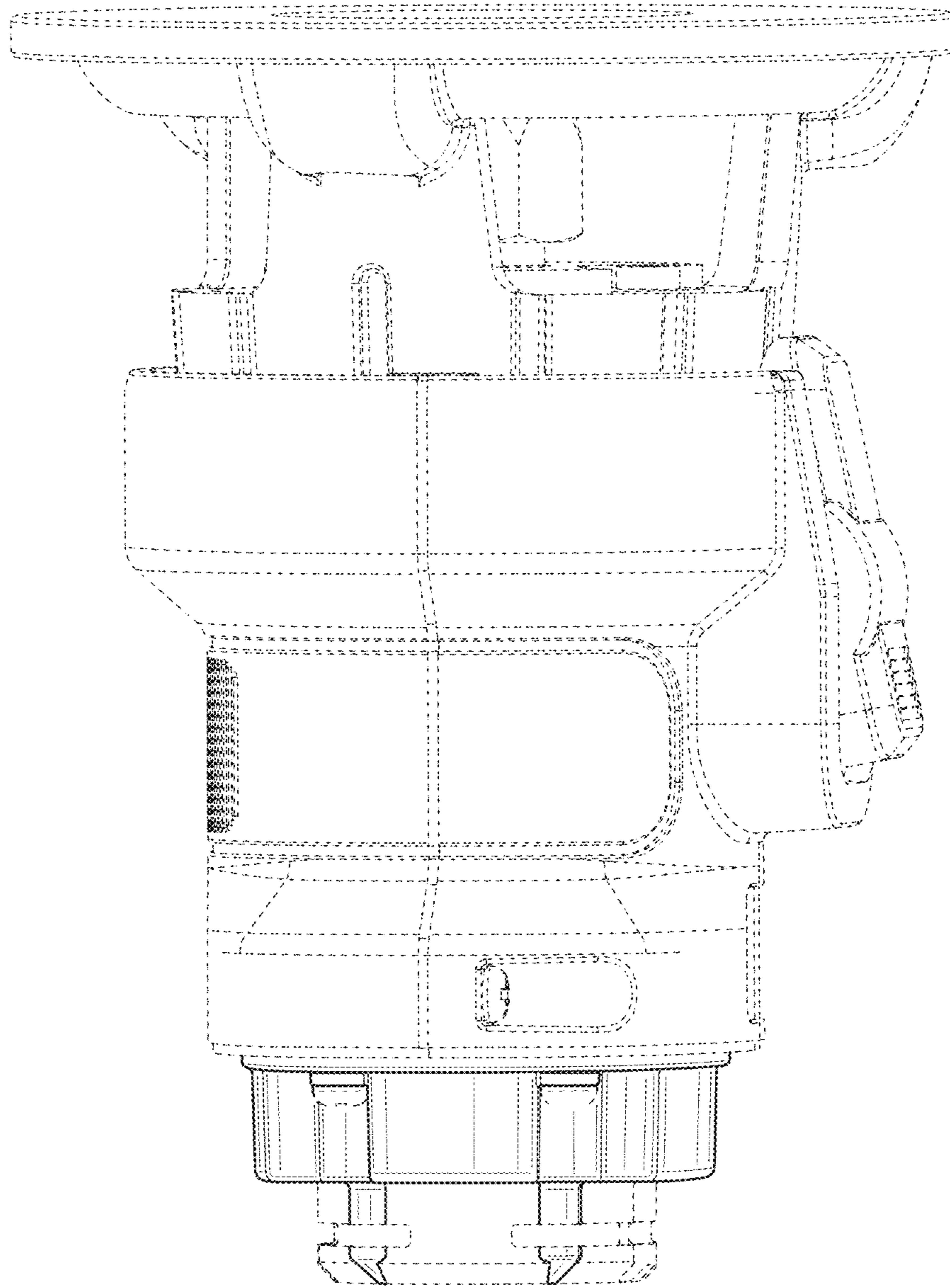


FIG. 37

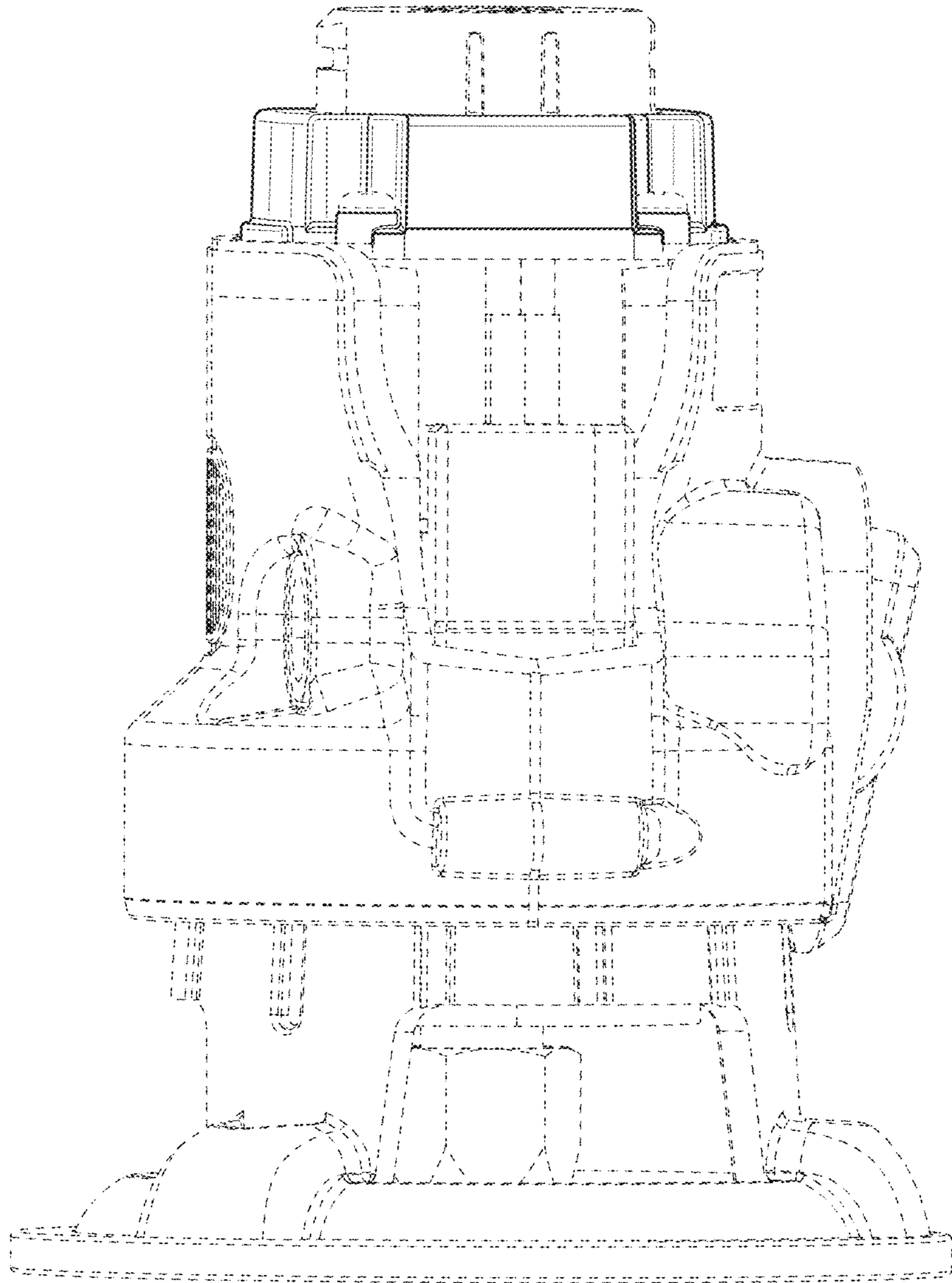


FIG. 38

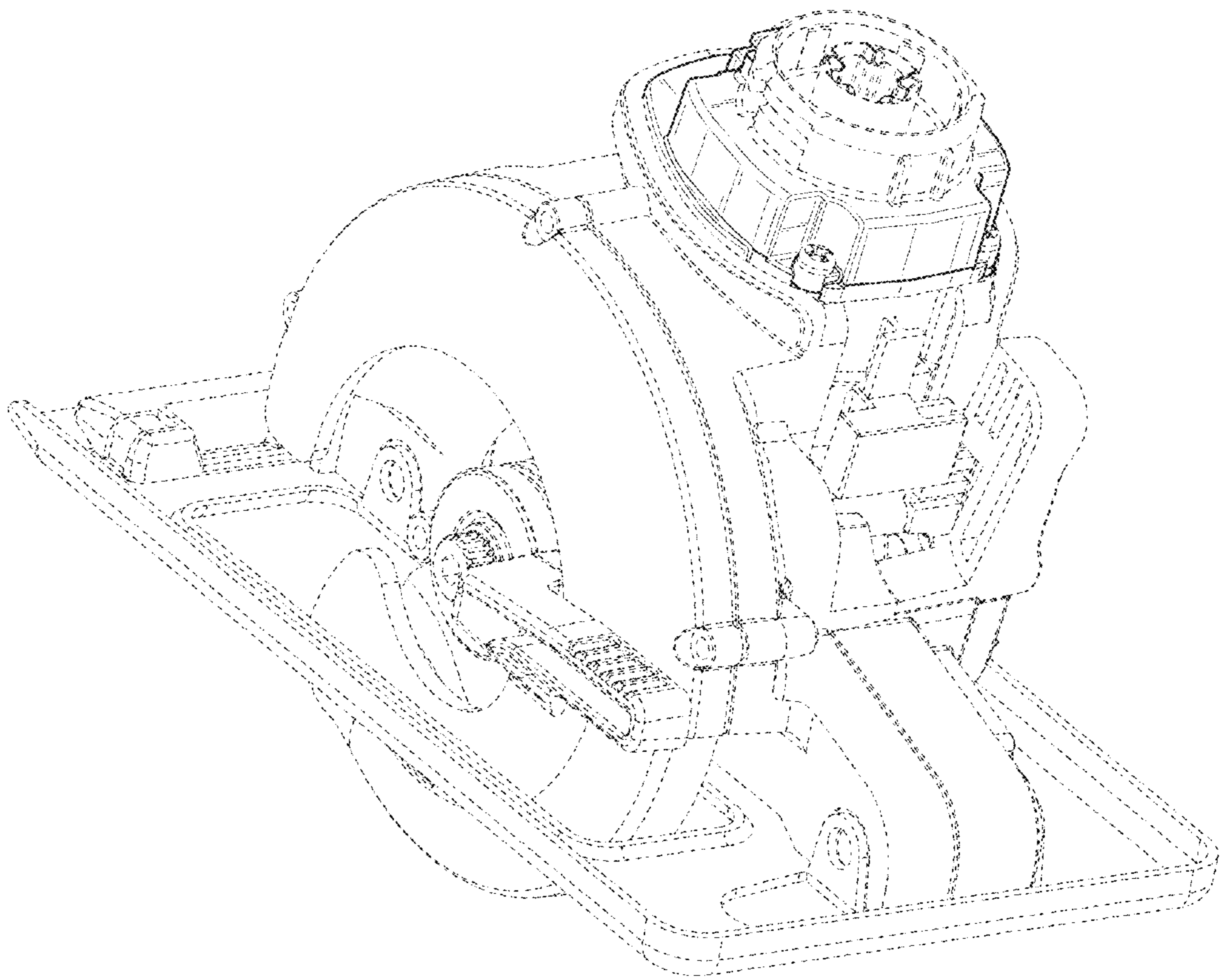


FIG. 39

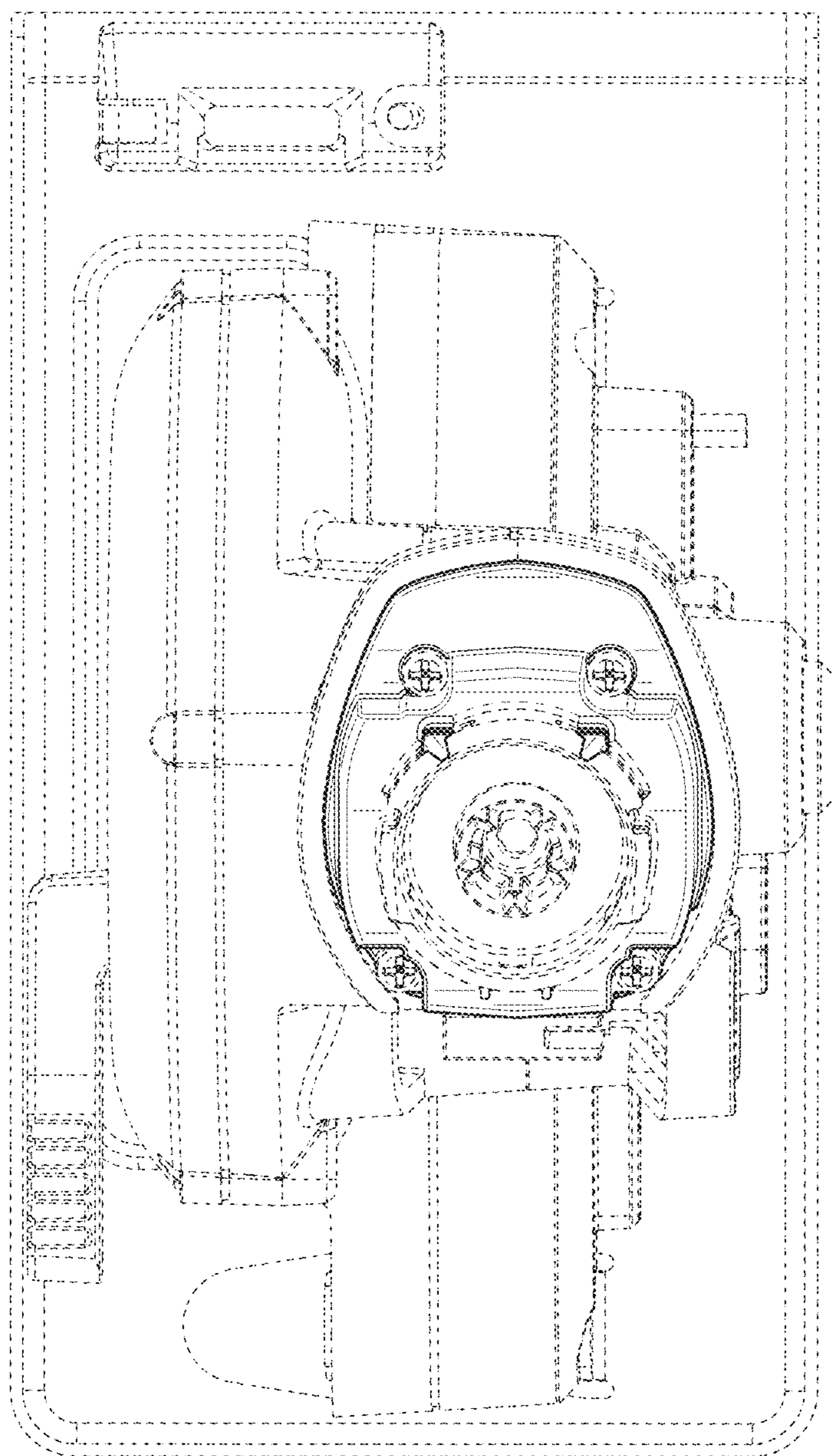


FIG. 40

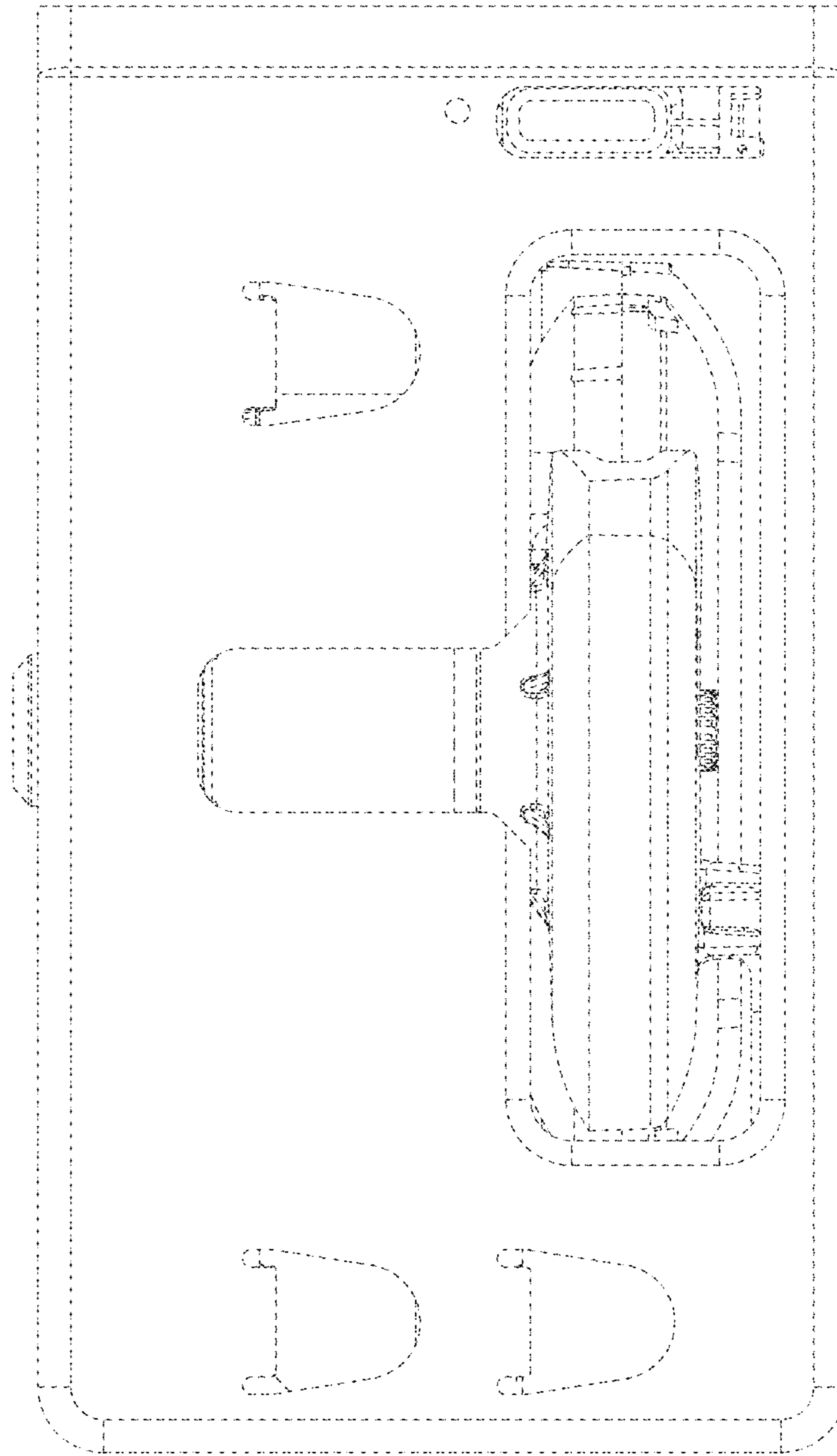


FIG. 41

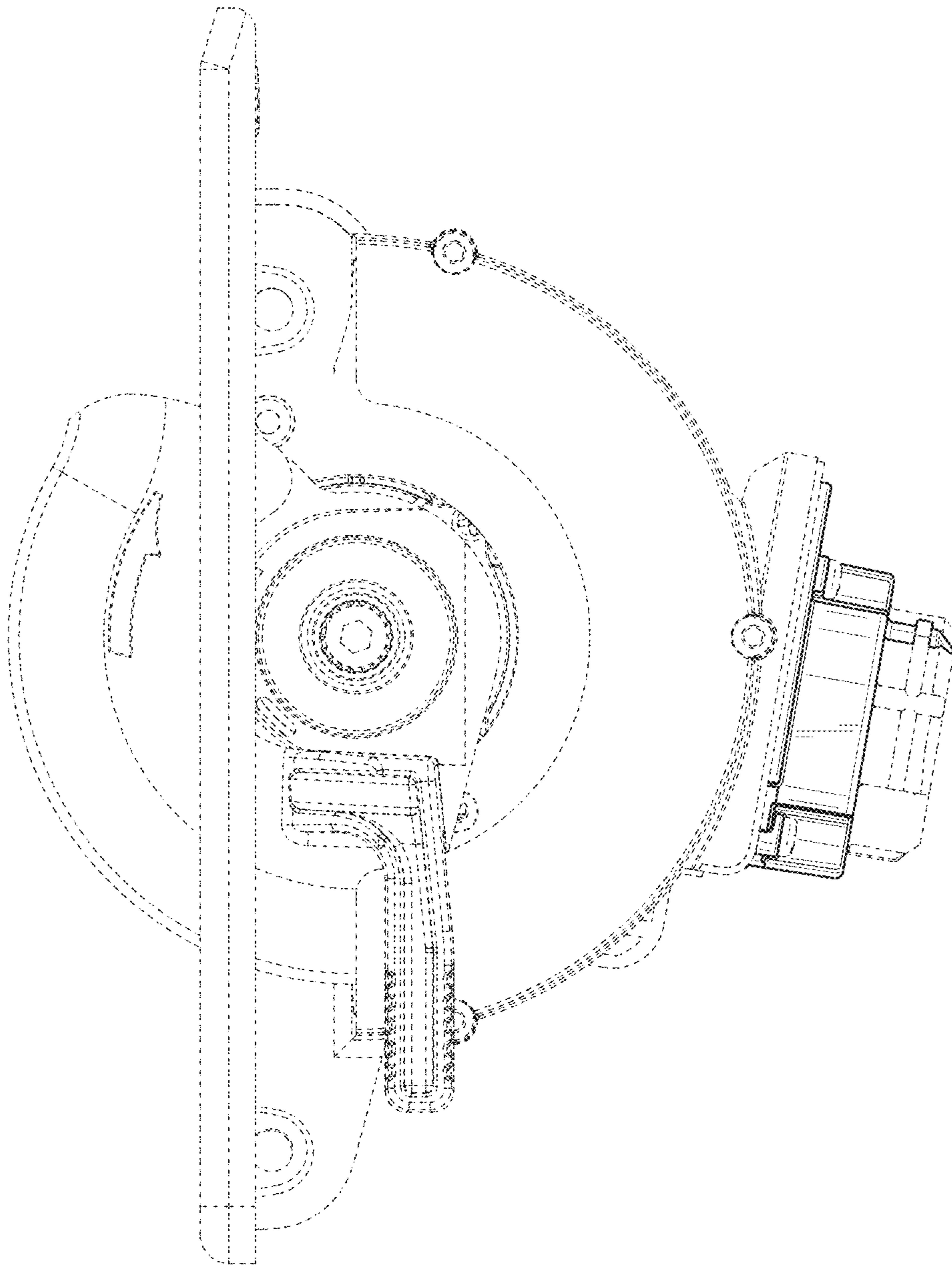


FIG. 42

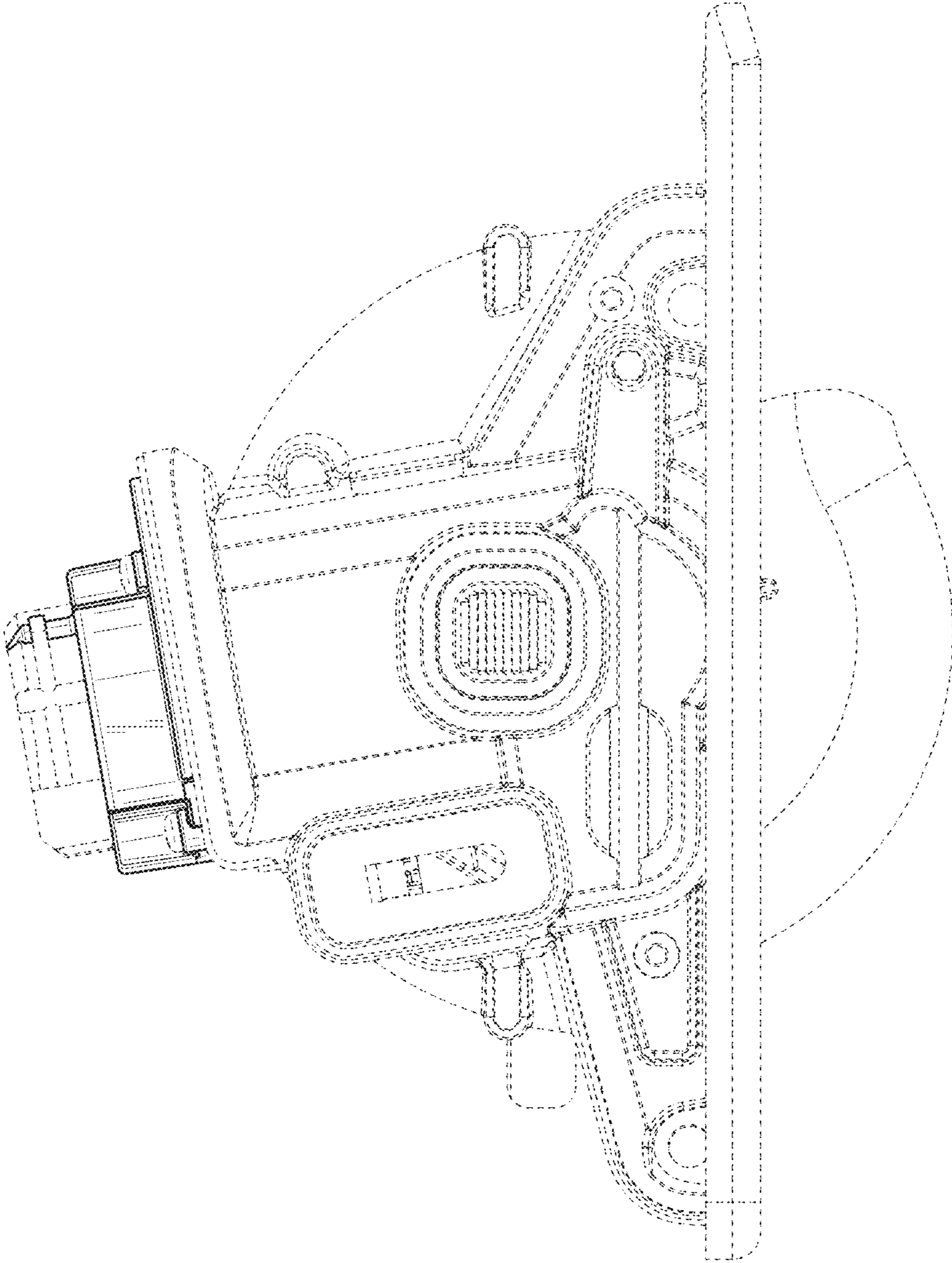


FIG. 43

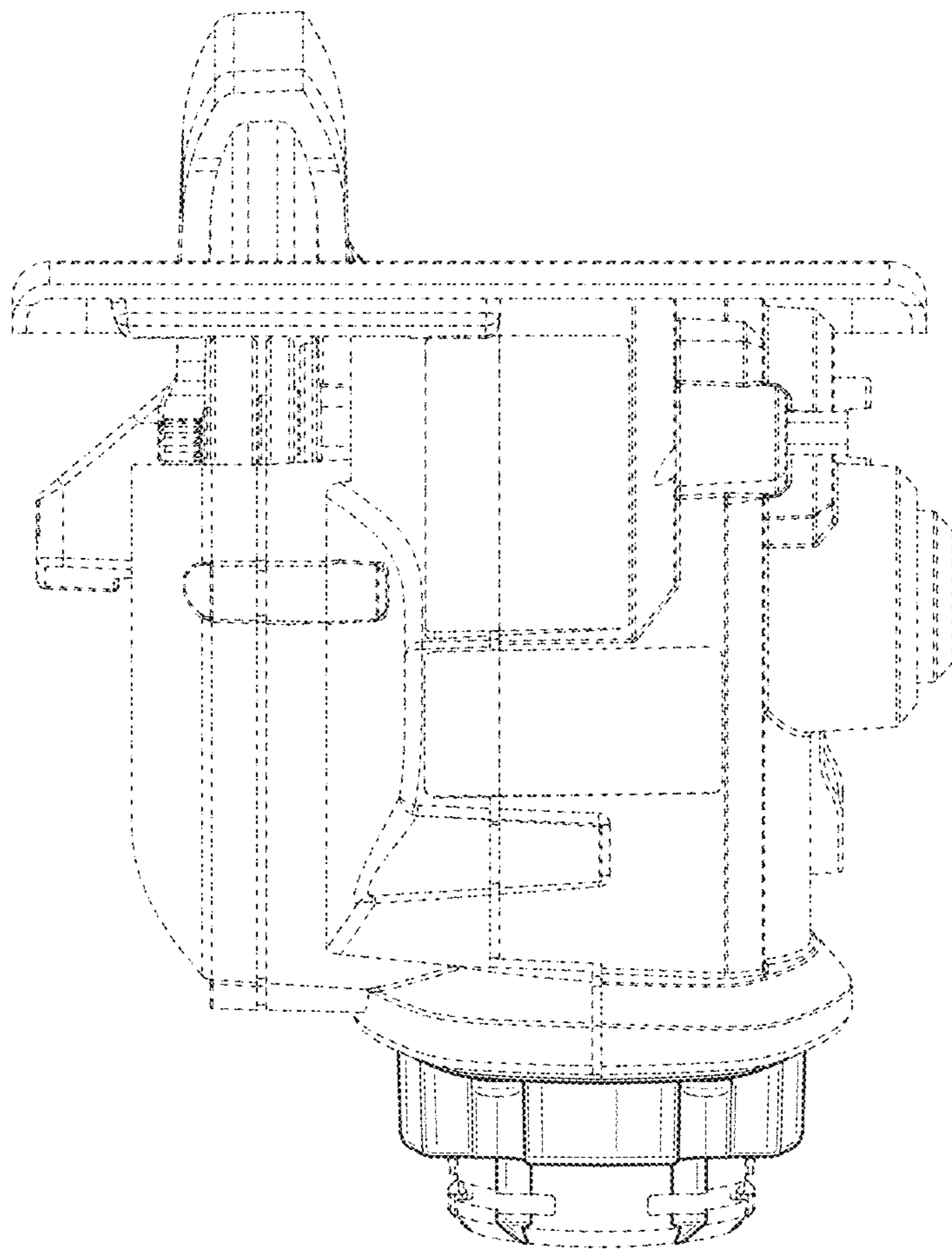


FIG. 44

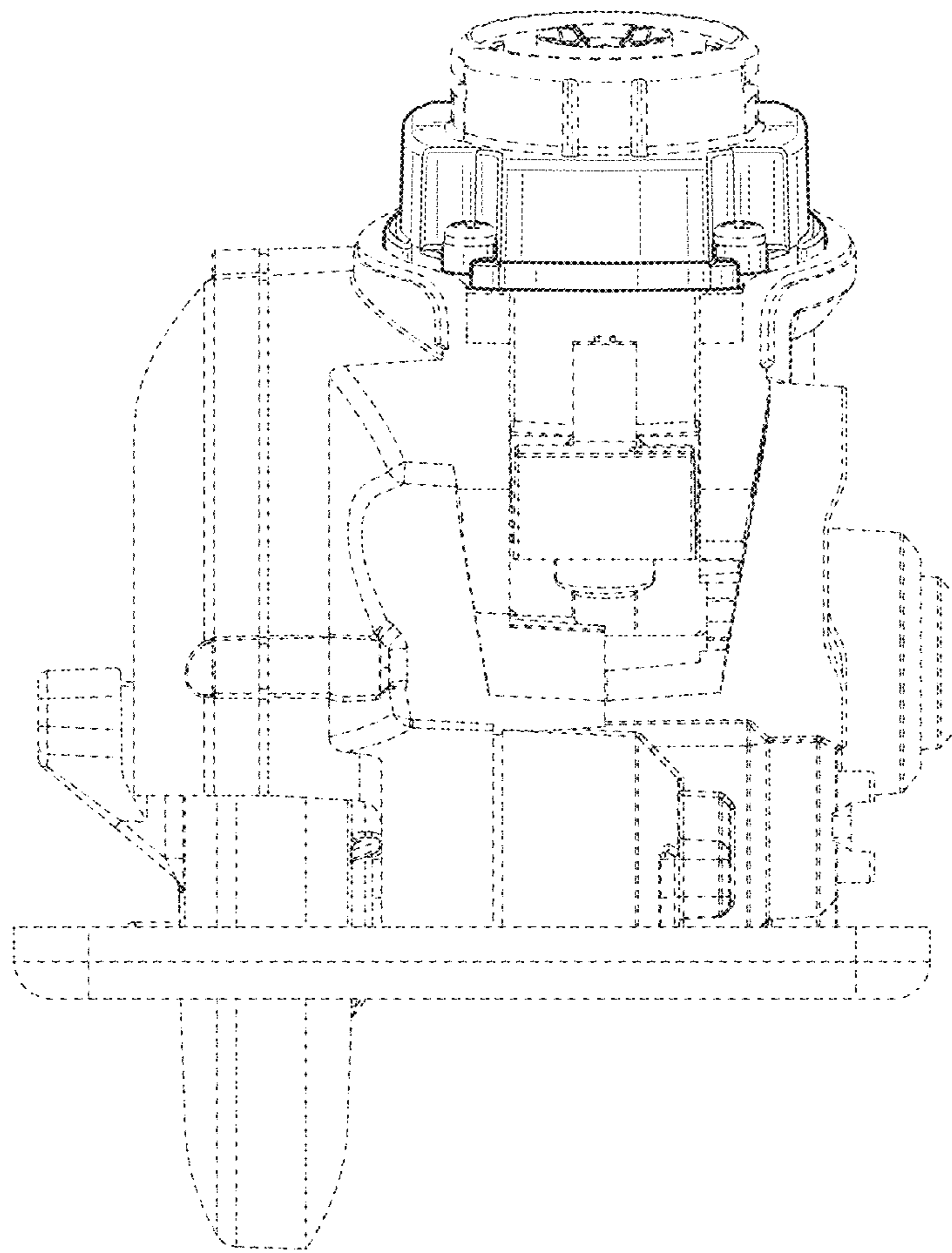


FIG. 45