

US00D694604S

(12) **United States Design Patent**
Frenken

(10) **Patent No.:** **US D694,604 S**
(45) **Date of Patent:** **** Dec. 3, 2013**

(54) **POWERED HAND-HELD TOOL**

(75) Inventor: **Egbert Frenken**, Heinsberg (DE)

(73) Assignee: **Gustav Klauke GmbH** (DE)

(**) Term: **14 Years**

(21) Appl. No.: **29/385,217**

(22) Filed: **Feb. 10, 2011**

(30) **Foreign Application Priority Data**

Aug. 11, 2010 (EP) 001229405

(51) **LOC (9) Cl.** **08-04**

(52) **U.S. Cl.**
USPC **D8/61**

(58) **Field of Classification Search**
USPC D8/61, 62, 67, 69; 81/57, 57.11, 57.14,
81/57.26, 429, 464, 469; 173/2, 170, 176,
173/181

See application file for complete search history.

(56) **References Cited**

U.S. PATENT DOCUMENTS

D332,038 S *	12/1992	Meldrum	D8/61
D472,442 S *	4/2003	Morgan	D8/61
D492,176 S *	6/2004	Chen	D8/61
D568,701 S *	5/2008	Nasiell	D8/61
D568,702 S *	5/2008	Nasiell	D8/61
7,421,877 B2	9/2008	Frenken		
D590,224 S *	4/2009	Honsa	D8/61
D639,629 S *	6/2011	Torigai et al.	D8/61

(Continued)

OTHER PUBLICATIONS

Two (2) pages of drawings from the registered German Design Patent No. 402 08 110.2 dated Sep. 10, 2003.

(Continued)

Primary Examiner — Austin Murphy

(74) *Attorney, Agent, or Firm* — Klintworth & Rozenblat IP LLC

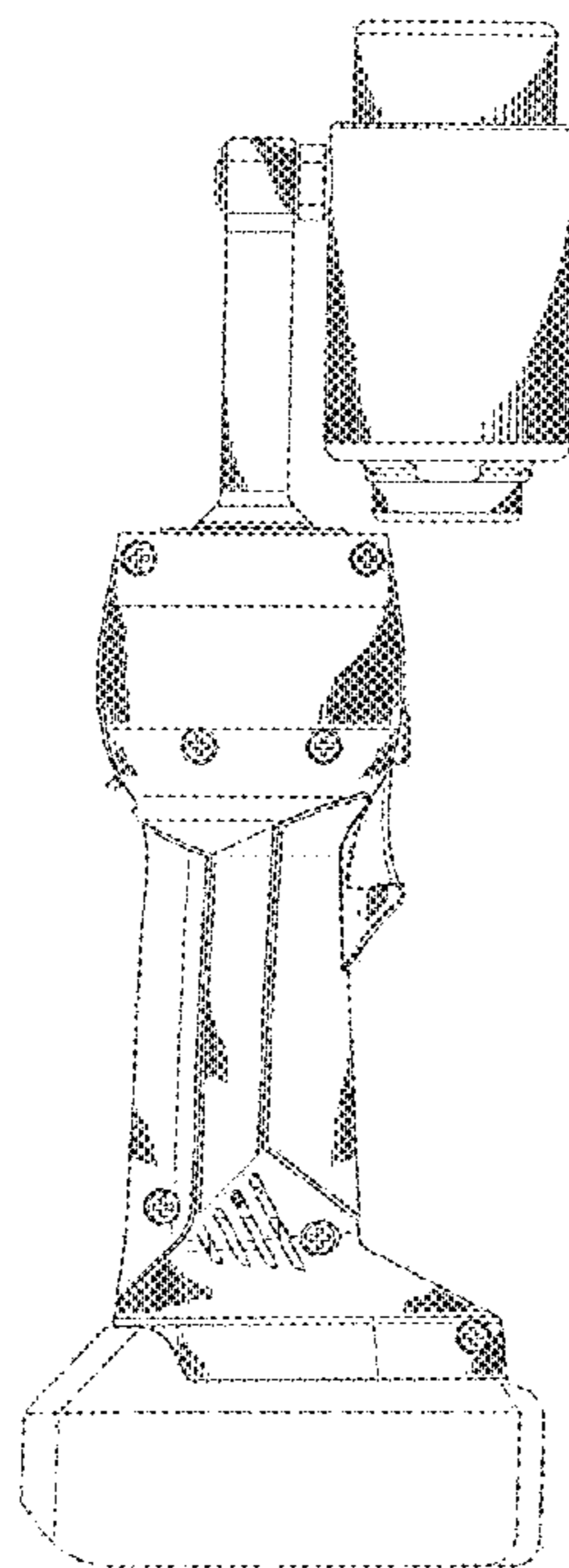
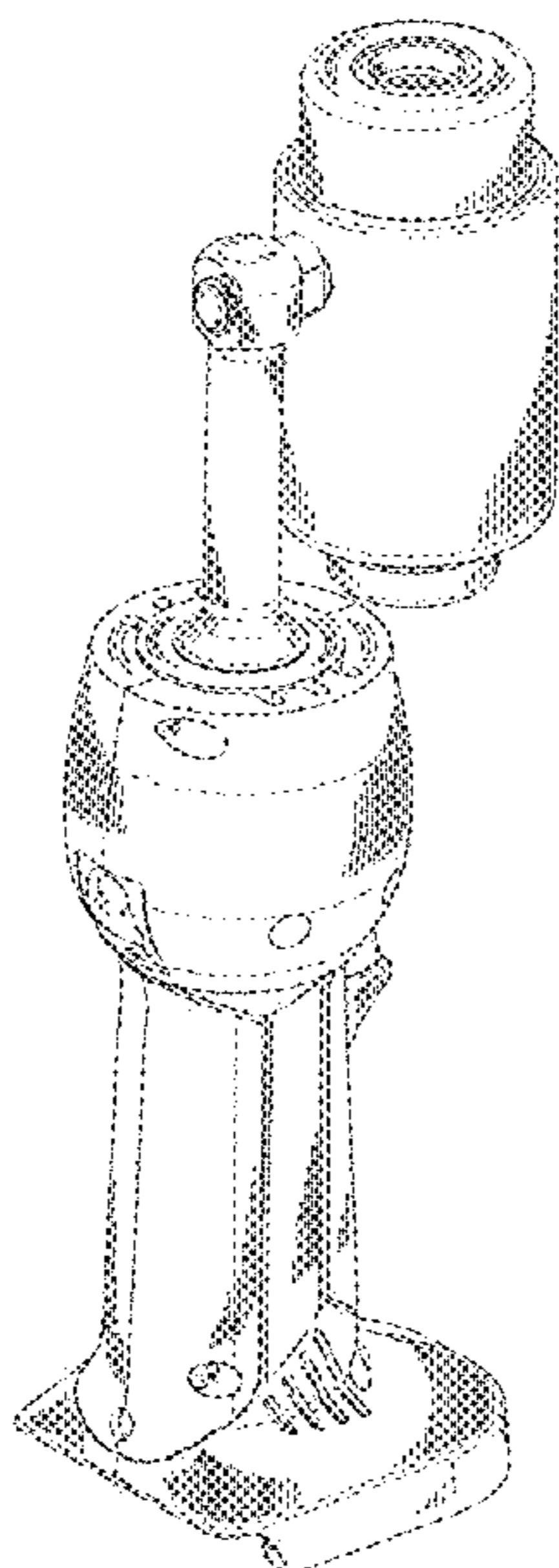
(57) **CLAIM**

The ornamental design for a powered hand-held tool, as shown and described.

DESCRIPTION

FIG. 1 is a perspective view of the tool in accordance with a first embodiment;
 FIG. 2 is a right side elevational view of the tool of FIG. 1;
 FIG. 3 is a rear elevational view of the tool of FIG. 1;
 FIG. 4 is a left side elevational view of the tool of FIG. 1;
 FIG. 5 is a front elevational view of the tool of FIG. 1;
 FIG. 6 is a bottom plan right view of the tool of FIG. 1;
 FIG. 7 is a top plan right view of the tool of FIG. 1;
 FIG. 8 is a perspective view of the tool in accordance with a second embodiment;
 FIG. 9 is a right side elevational view of the tool of FIG. 8;
 FIG. 10 is a rear elevational view of the tool of FIG. 8;
 FIG. 11 is a left side elevational view of the tool of FIG. 8;
 FIG. 12 is a front elevational view of the tool of FIG. 8;
 FIG. 13 is a bottom plan right view of the tool of FIG. 8; and,
 FIG. 14 is a top plan right view of the tool of FIG. 8.
 The broken lines shown in the drawings illustrate portions of the hand-held power tool and environmental structure that form no part of the claimed design.

1 Claim, 8 Drawing Sheets



(56)

References Cited

OTHER PUBLICATIONS

U.S. PATENT DOCUMENTS

D640,107 S * 6/2011 Okuda D8/61
D649,421 S * 11/2011 Aglassinger D8/61
D670,988 S * 11/2012 Aglassinger D8/61
2009/0008118 A1 * 1/2009 Frenken 173/221

Seventeen (17) pages of an Instruction Manual of Greenlee Textron Inc. showing a hydraulic punch driver tool in German and English; Dated at least as early as Aug. 11, 2010.

* cited by examiner

Fig. 1

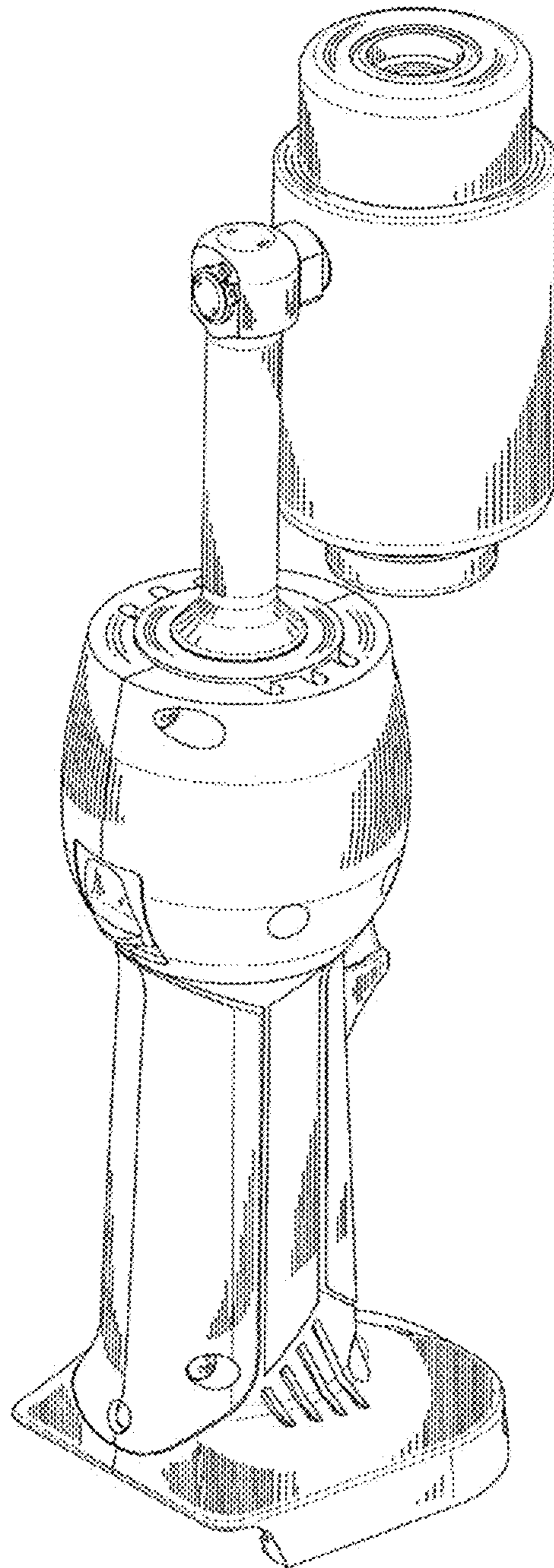


Fig. 2

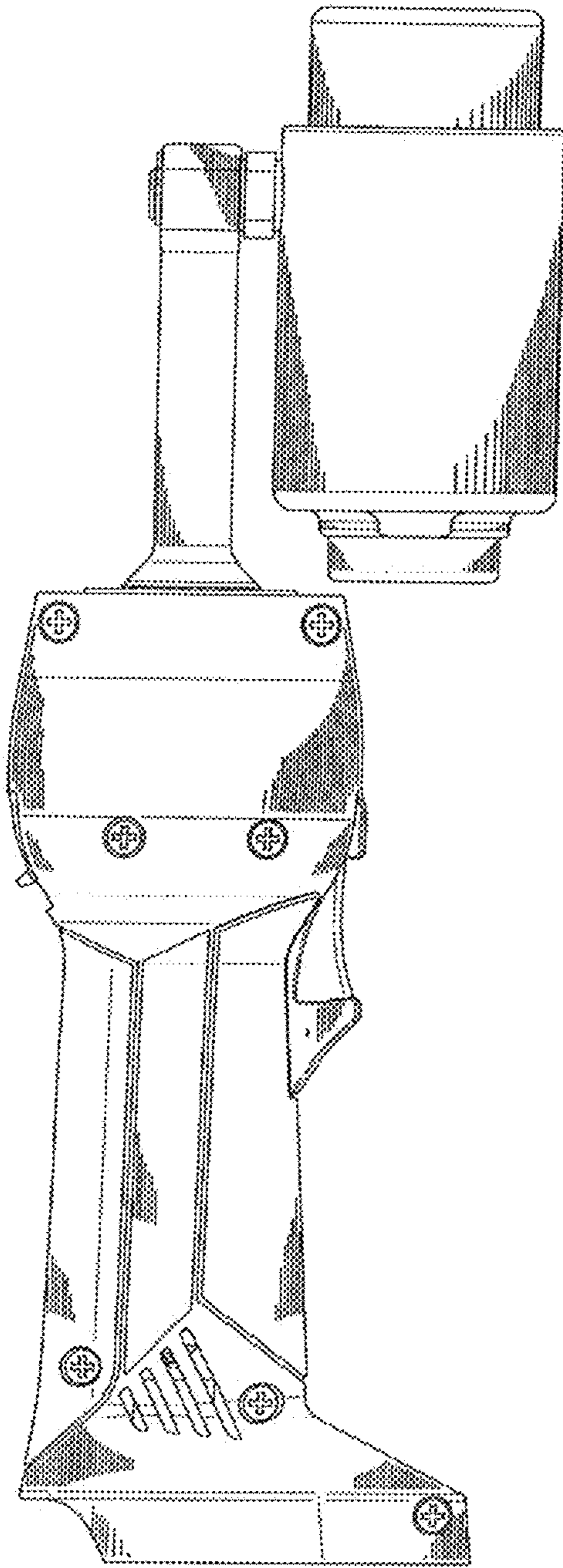


Fig. 3

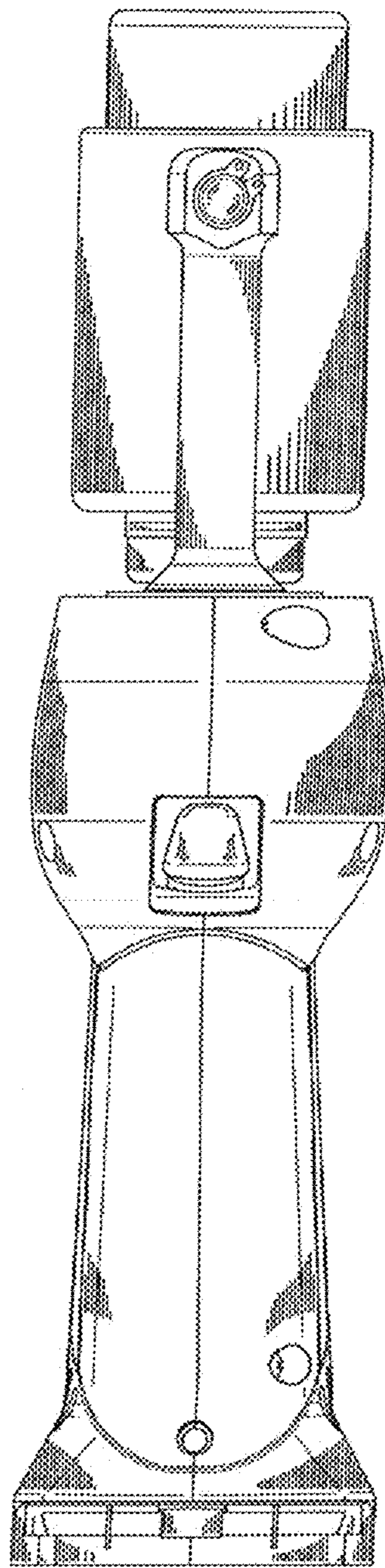


Fig. 4

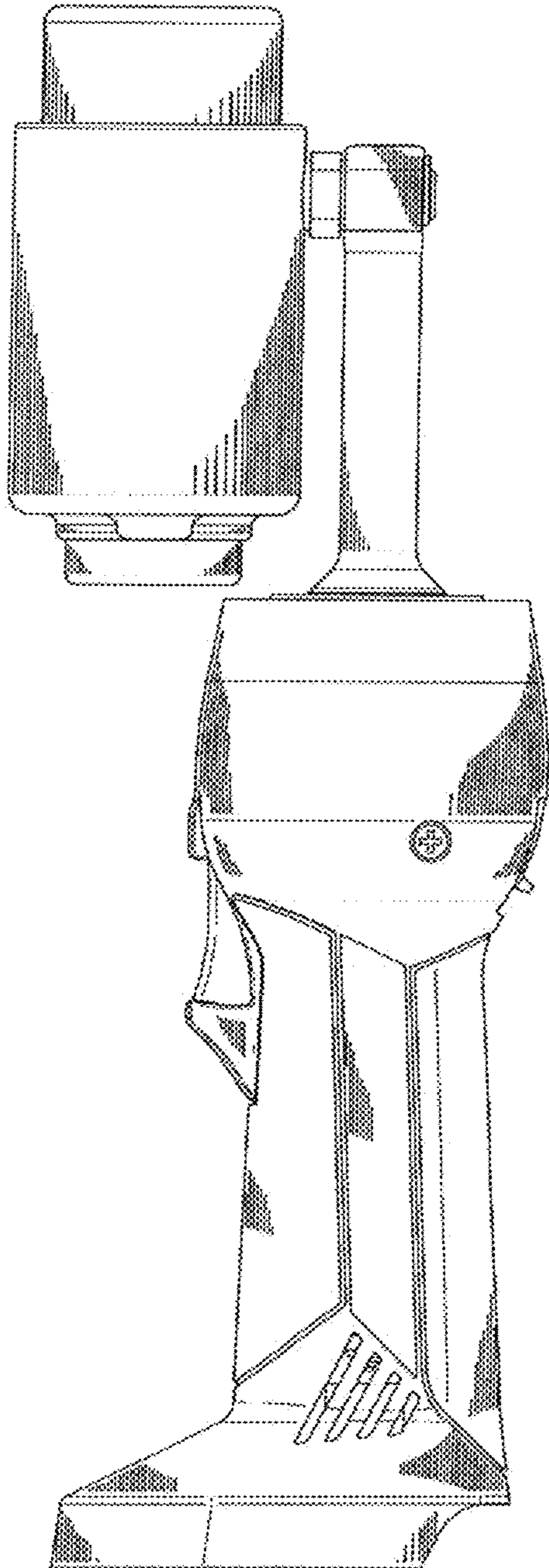


Fig. 5

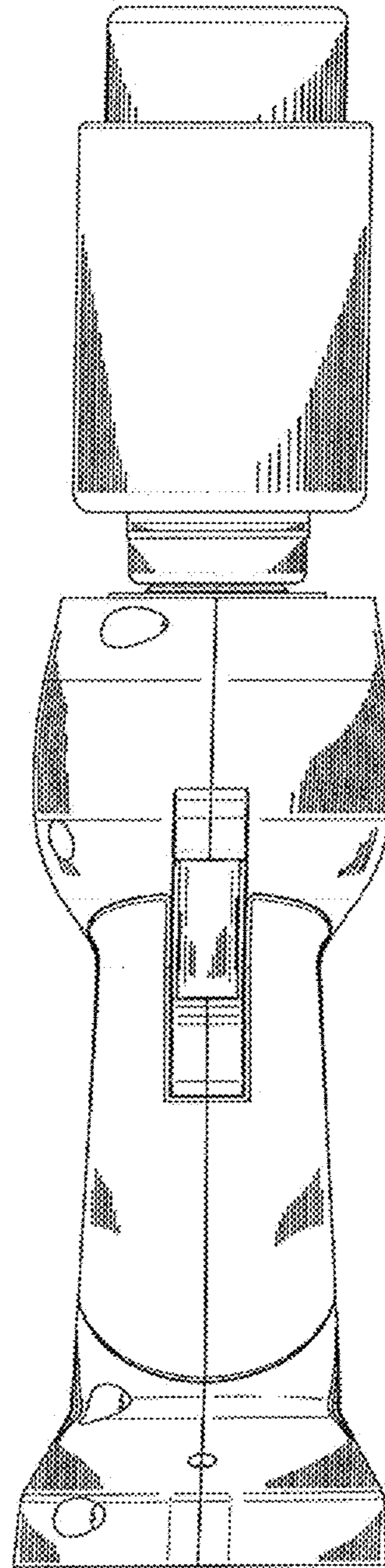


Fig. 6

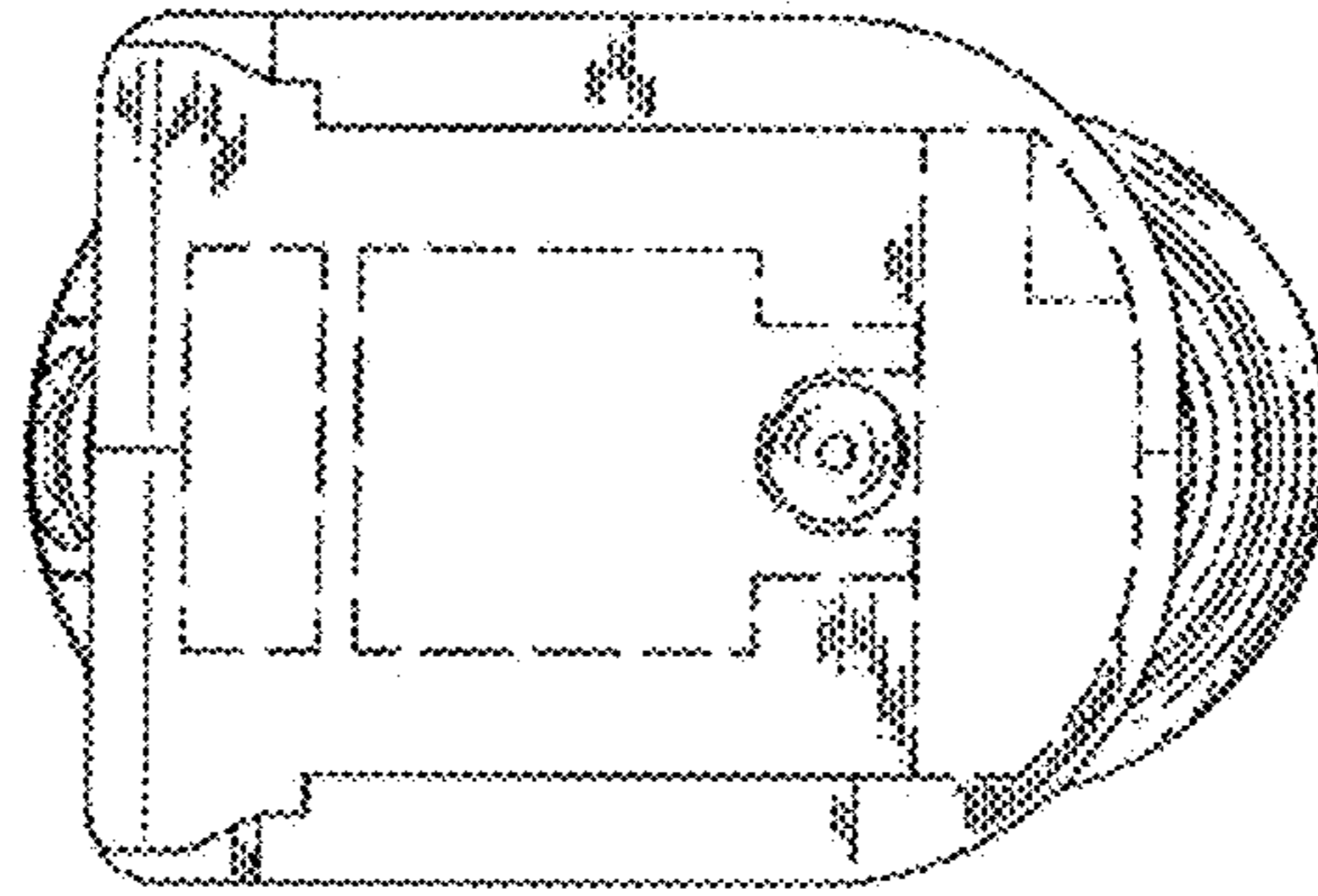


Fig. 7

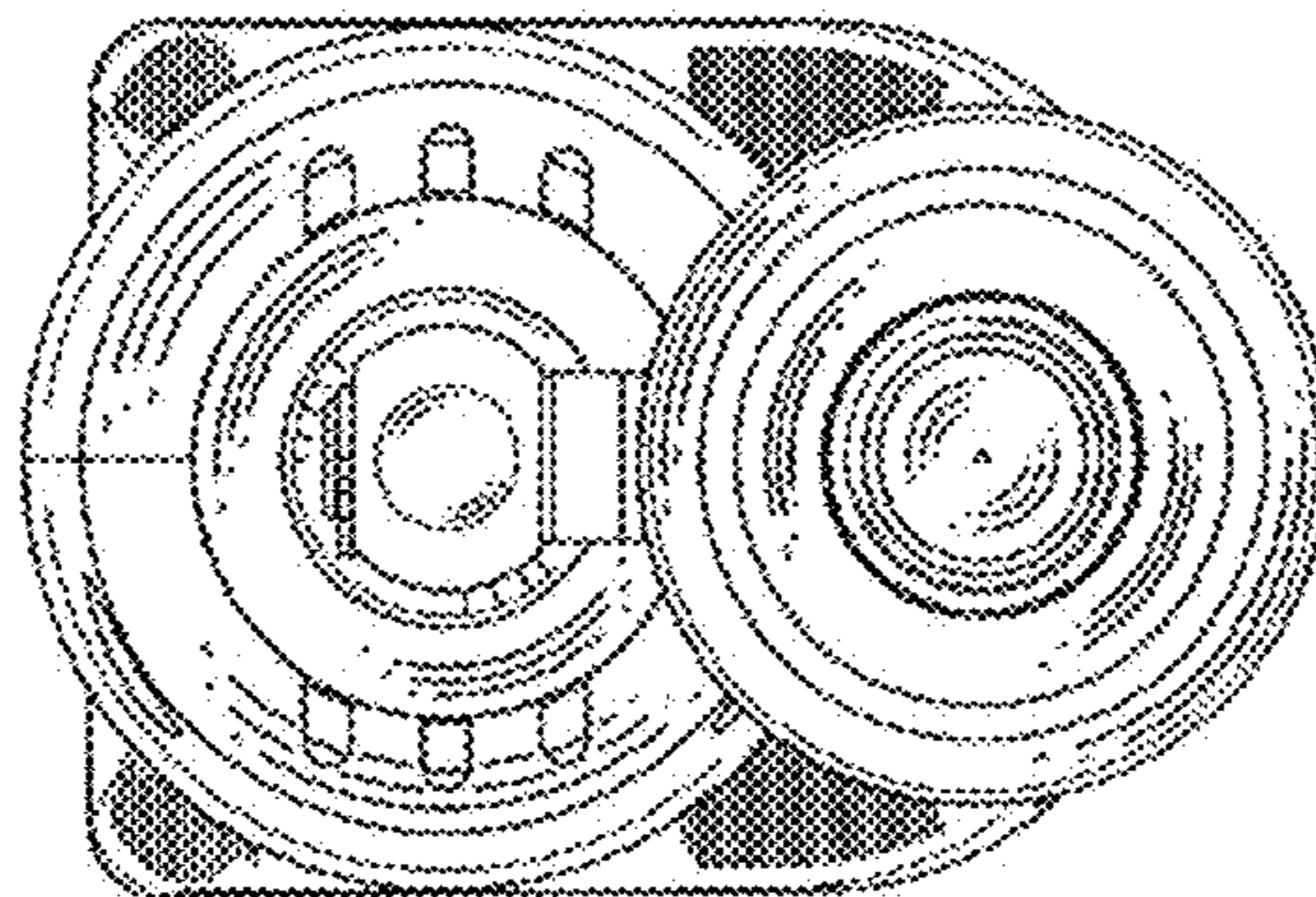


Fig. 8

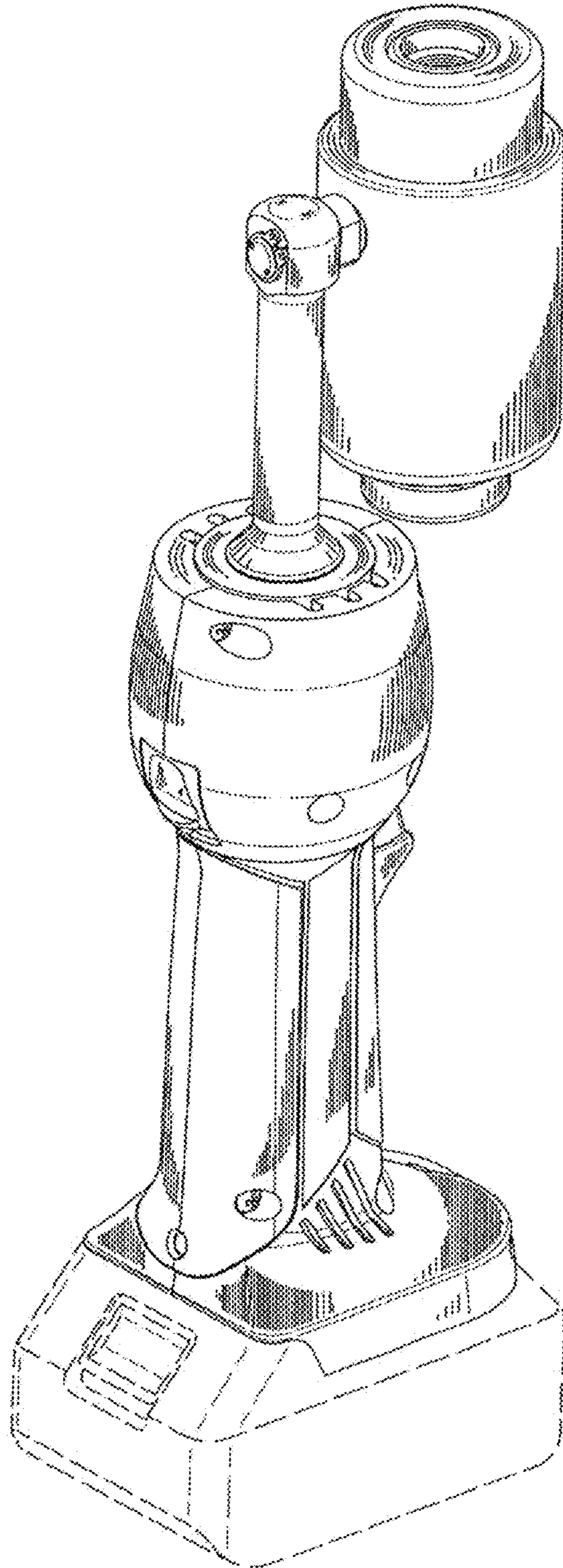


Fig. 9

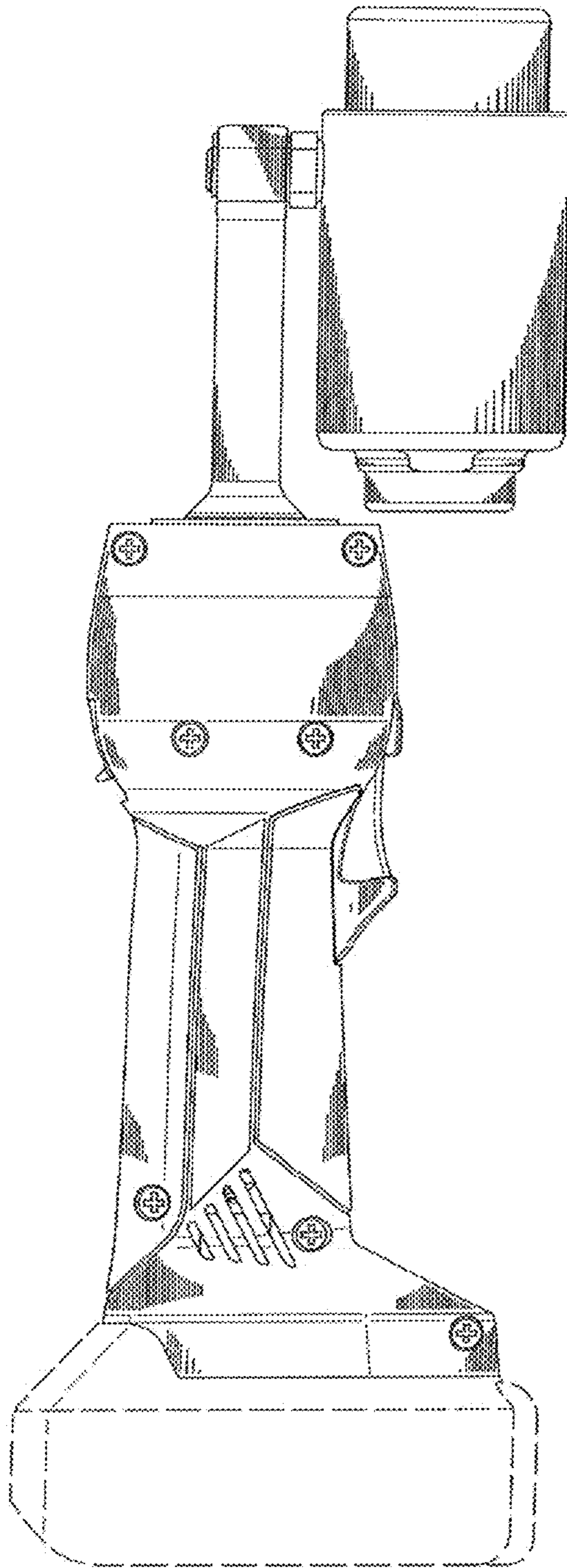


Fig. 10

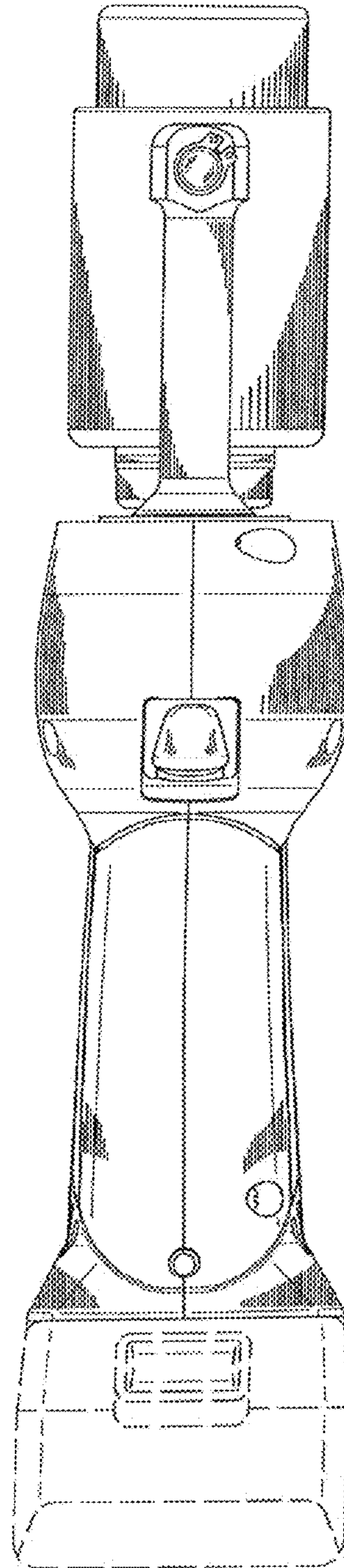


Fig. 11

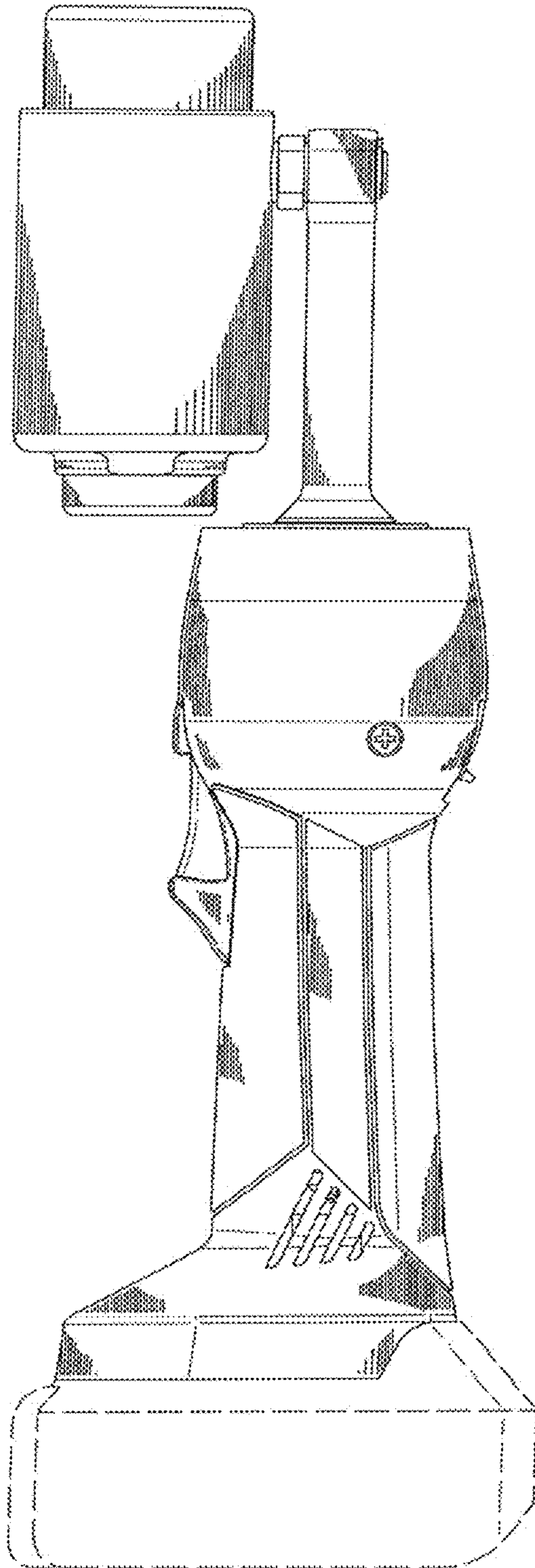


Fig. 12

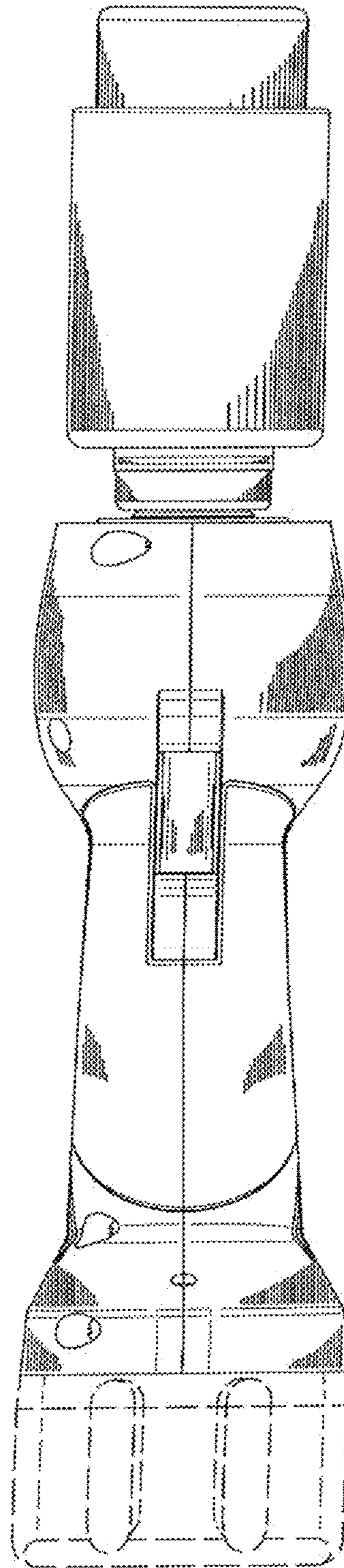


Fig. 13



Fig. 14

