

US00D694603S

(12) **United States Design Patent**
Smith et al.

(10) **Patent No.:** **US D694,603 S**
(45) **Date of Patent:** **** Dec. 3, 2013**

(54) **PIPE CUTTER**
(75) Inventors: **Duane K. Smith**, St. Charles, MO (US);
Douglas L. Kirk, Ballwin, MO (US);
Aaron L. Boaz, Imperial, MO (US)

(73) Assignee: **Blazing Products, Inc.**, Chesterfield,
MO (US)

(**) Term: **14 Years**

(21) Appl. No.: **29/405,600**

(22) Filed: **Nov. 3, 2011**

(51) **LOC (9) Cl.** **08-03**

(52) **U.S. Cl.**
USPC **D8/60**

(58) **Field of Classification Search**
USPC D8/1, 4, 5, 14, 51-60, 107; 30/92-108,
30/249-251
See application file for complete search history.

5,904,078 A	5/1999	Gustafson et al.	
D412,095 S *	7/1999	Tally	D8/60
6,370,780 B1 *	4/2002	Robertson et al.	30/261
6,658,738 B1	12/2003	King	
7,204,021 B2 *	4/2007	Houseman et al.	30/92
7,346,986 B2 *	3/2008	Feith	30/92
D588,427 S *	3/2009	Manak	D8/51
7,549,226 B2 *	6/2009	Mortensen	30/92
D612,221 S *	3/2010	Groten et al.	D8/60
D612,697 S *	3/2010	Huang	D8/60
8,024,864 B2 *	9/2011	Mortensen	30/250
D679,564 S *	4/2013	Hong	D8/60
2013/0118015 A1 *	5/2013	Smith et al.	30/92

* cited by examiner

Primary Examiner — Deanna L Pratt

(74) *Attorney, Agent, or Firm* — Harness, Dickey & Pierce,
P.L.C.

(57) **CLAIM**

The ornamental design for a pipe cutter, as shown and described.

DESCRIPTION

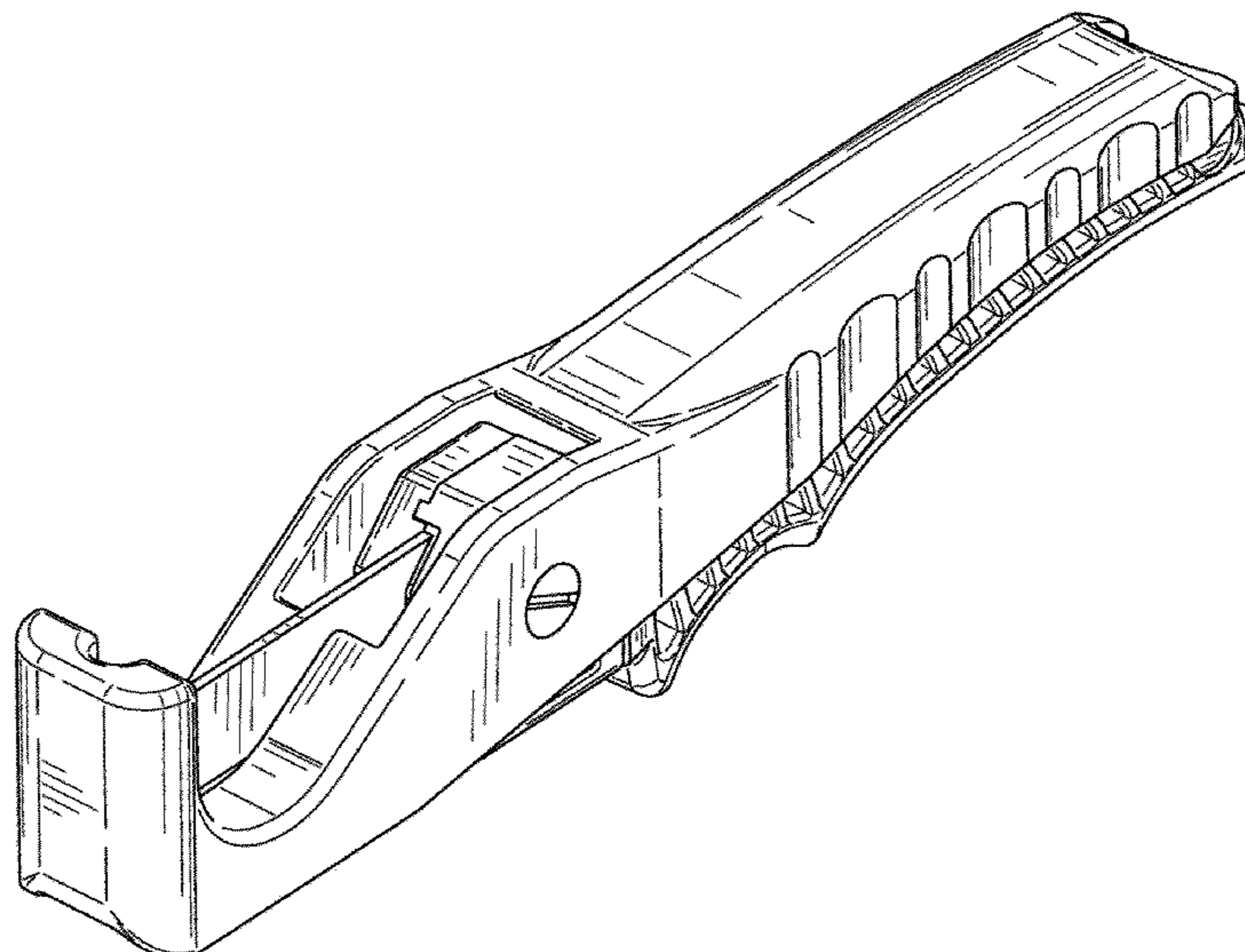
FIG. 1 is a perspective view of an example embodiment of a pipe cutter in accordance with our new design;
FIG. 2 is a left side elevation view of the pipe cutter shown in FIG. 1;
FIG. 3 is a right side elevation view of the pipe cutter shown in FIG. 1;
FIG. 4 is a rear elevation view of the pipe cutter shown in FIG. 1;
FIG. 5 is a front elevation view of the pipe cutter shown in FIG. 1;
FIG. 6 is a top plan view of the pipe cutter shown in FIG. 1; and,
FIG. 7 is a bottom plan view of the pipe cutter shown in FIG. 1.

1 Claim, 4 Drawing Sheets

(56) **References Cited**

U.S. PATENT DOCUMENTS

601,506 A	3/1898	Eames	
1,344,629 A	6/1920	Fowler	
1,885,895 A	11/1932	Carey	
1,988,847 A	1/1935	Kiefner	
D201,832 S *	8/1965	Fuller	D8/51
3,422,532 A	1/1969	Ballard	
4,269,089 A	5/1981	Hastings	
4,296,655 A	10/1981	Tesoro	
4,336,652 A	6/1982	Robertson	
D266,736 S *	11/1982	Robertson	D8/98
4,429,460 A	2/1984	Hill et al.	
4,438,669 A	3/1984	Hastings et al.	
4,581,960 A	4/1986	Putsch et al.	
4,773,288 A	9/1988	Jang et al.	
5,461,951 A	10/1995	Putsch	
5,676,029 A	10/1997	Putsch	
5,845,551 A	12/1998	Putsch	



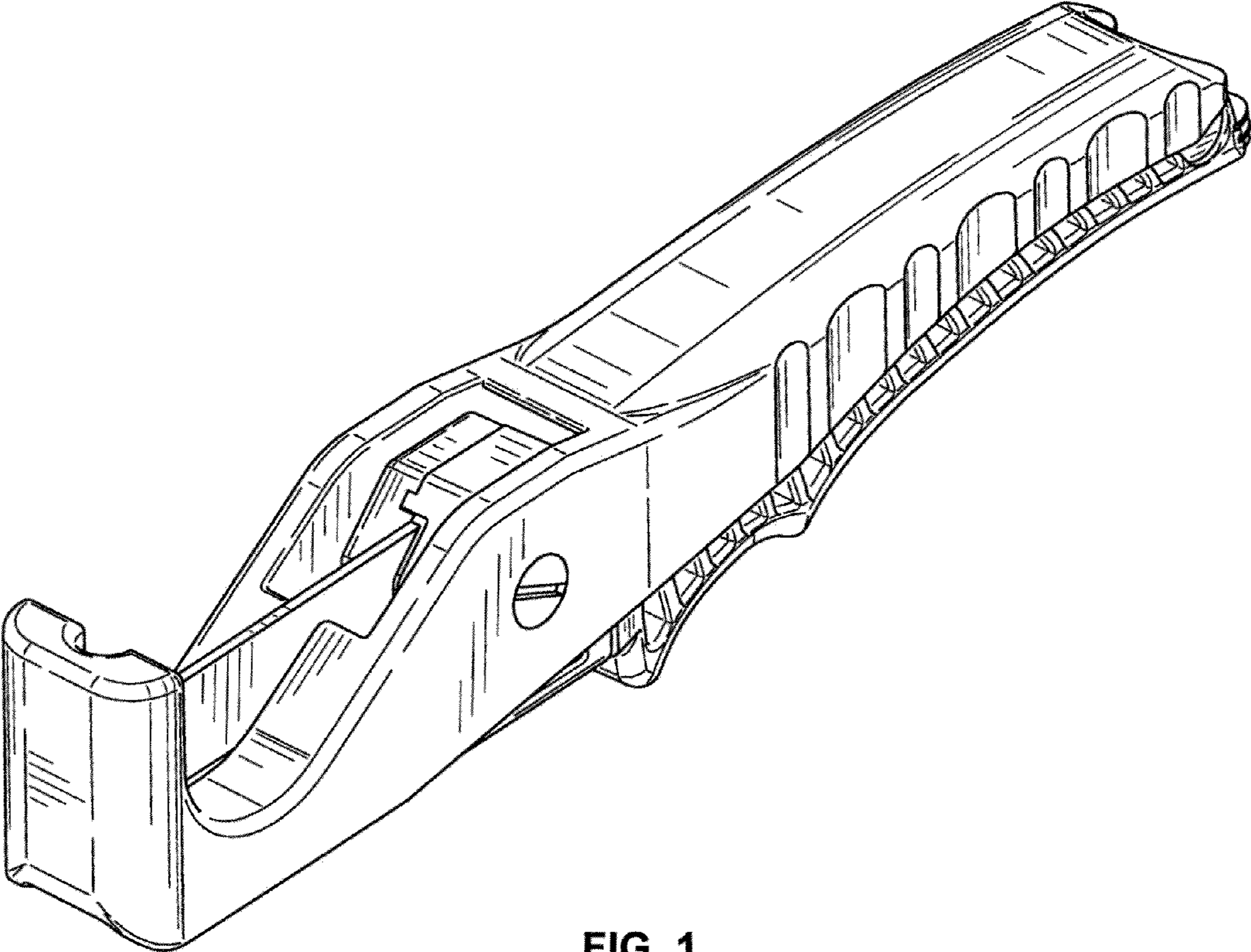


FIG. 1

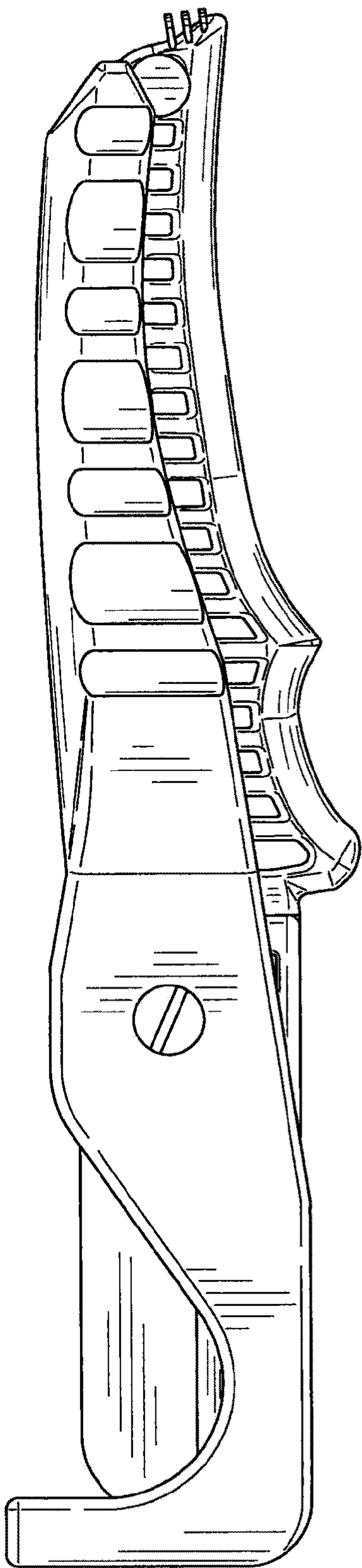


FIG. 2

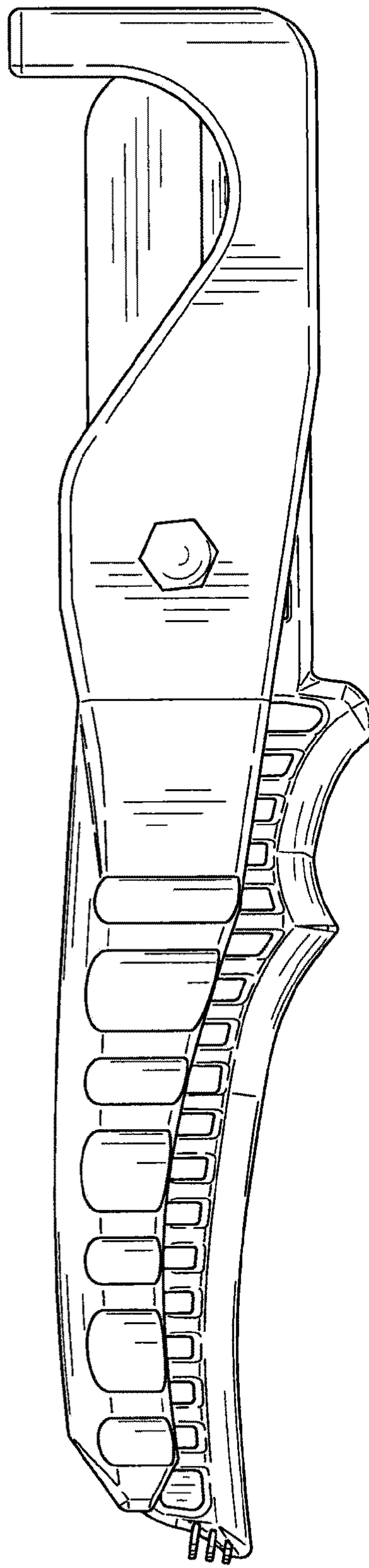


FIG. 3

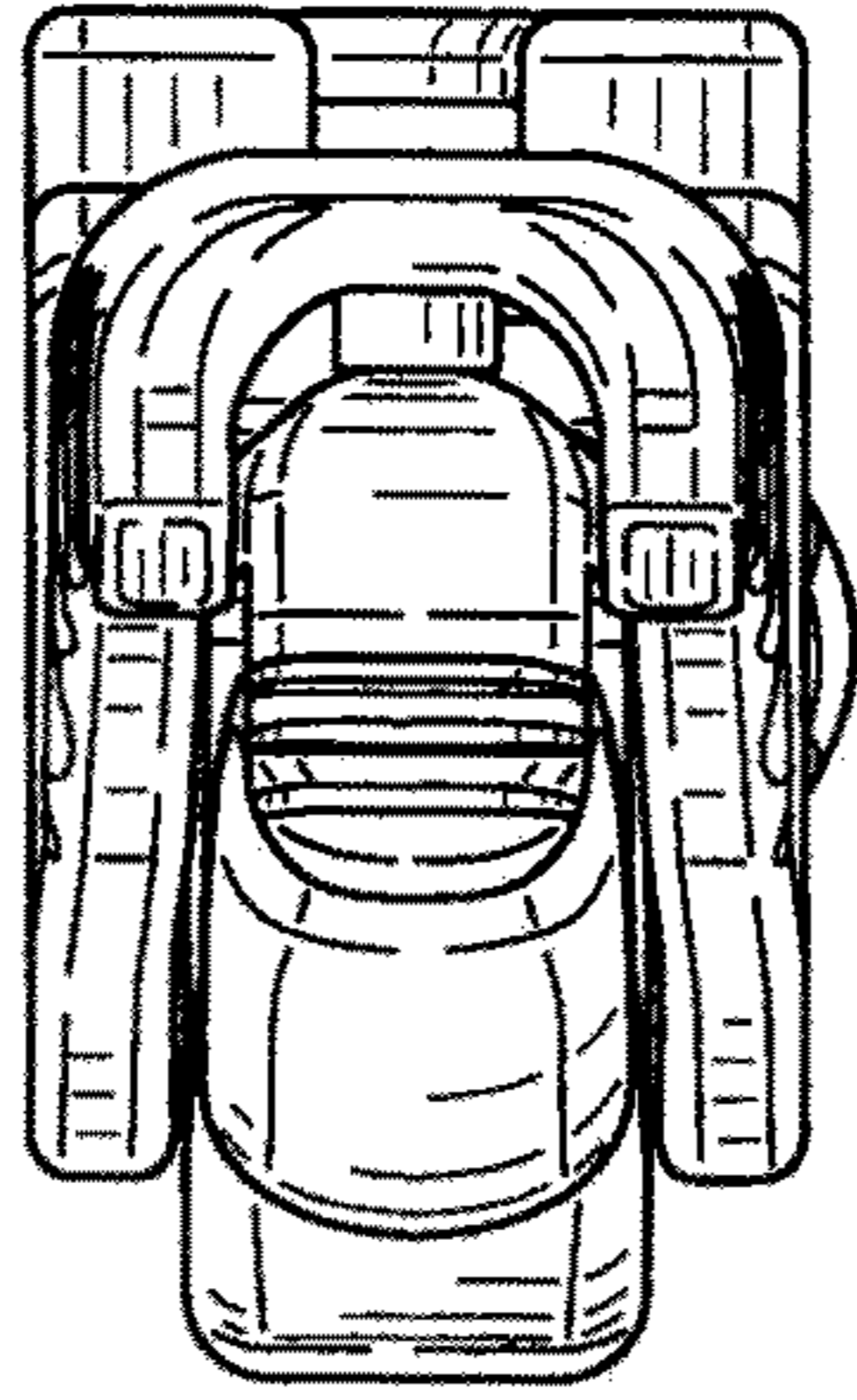


FIG. 4

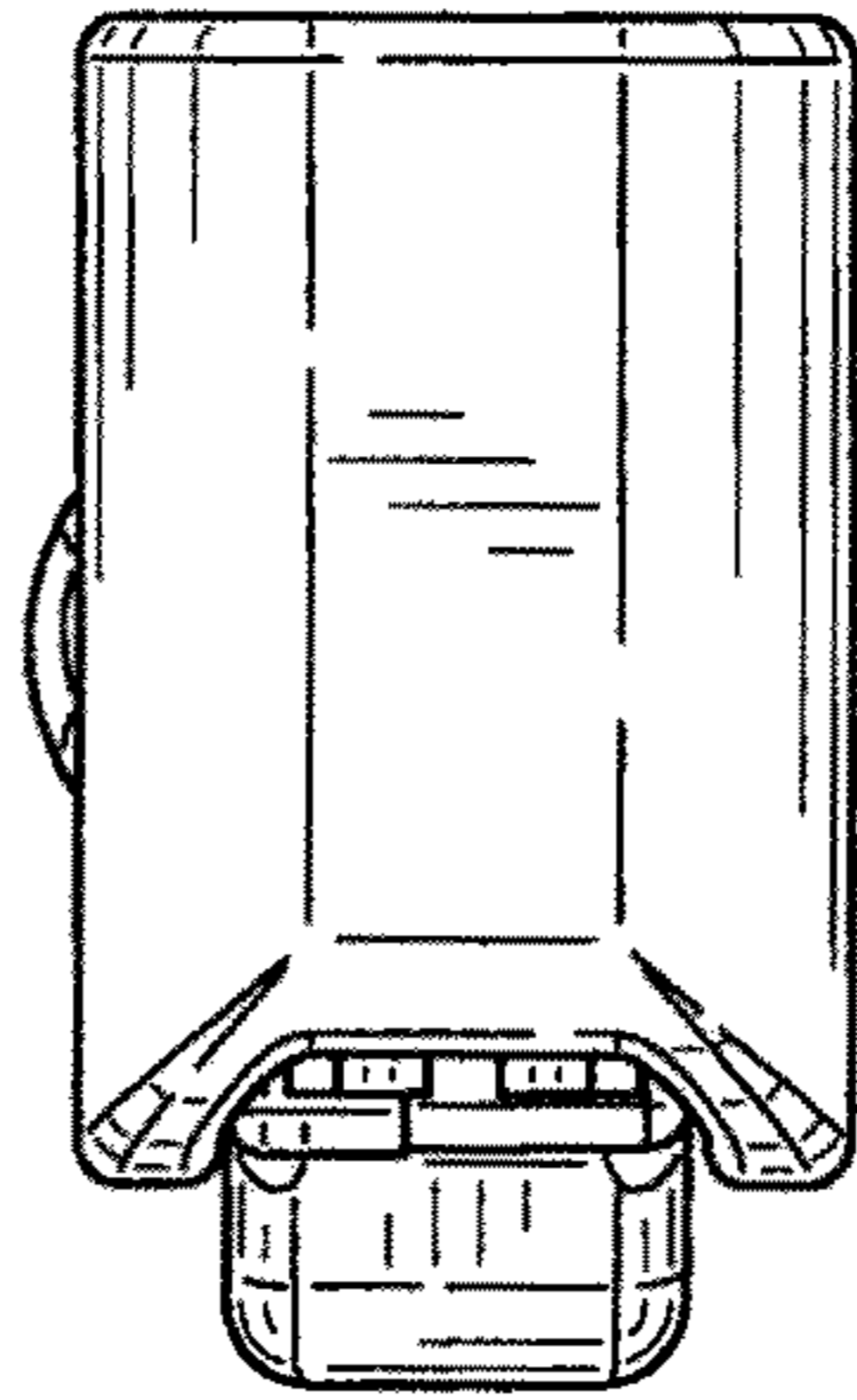


FIG. 5

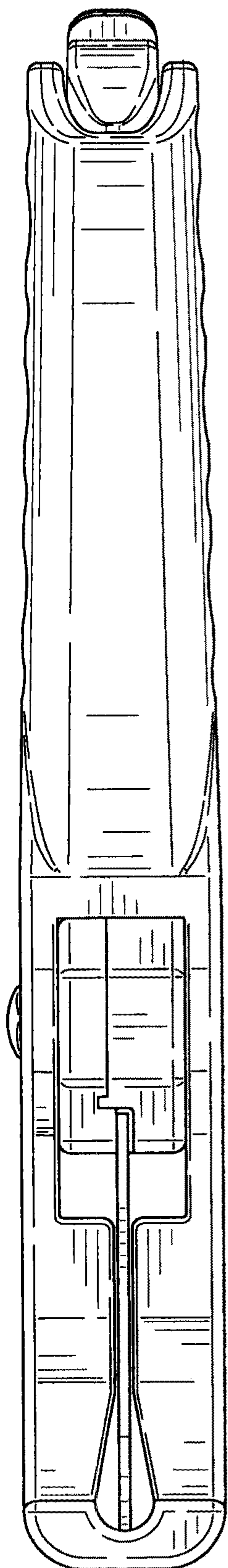


FIG. 6

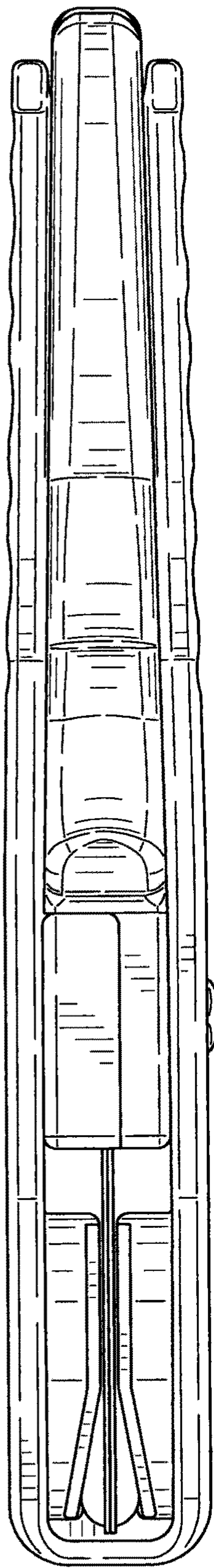


FIG. 7