



US00D694602S

(12) **United States Design Patent**
Hasegawa et al.

(10) **Patent No.:** **US D694,602 S**
(45) **Date of Patent:** **** Dec. 3, 2013**

(54) **OPTICAL FIBER CUTTER**

(75) Inventors: **Masahiro Hasegawa**, Yokohama (JP);
Hiroyasu Toyooka, Yokohama (JP);
Hiroshi Nakamura, Yokohama (JP)

(73) Assignee: **SEI Optifrontier Co., Ltd.**, Kanagawa (JP)

(**) Term: **14 Years**

(21) Appl. No.: **29/402,294**

(22) Filed: **Sep. 22, 2011**

(30) **Foreign Application Priority Data**

Mar. 22, 2011 (JP) D2011-006461

(51) **LOC (9) Cl.** **08-05**

(52) **U.S. Cl.**
USPC **D8/51**

(58) **Field of Classification Search**
USPC D8/51, 14, 70.1, 98, 5, 52;
385/134-137; 30/192
See application file for complete search history.

(56) **References Cited**

U.S. PATENT DOCUMENTS

D150,002 S * 6/1948 Eisenberg D8/70.1
3,229,557 A * 1/1966 Kapilow 83/451
5,501,385 A * 3/1996 Halpin 225/96
6,189,757 B1 * 2/2001 Yoshida et al. 225/96
6,754,426 B2 * 6/2004 Lee et al. 385/136
7,070,078 B2 * 7/2006 Song 225/105
7,305,169 B2 * 12/2007 Honma 385/136

(Continued)

Primary Examiner — Sheryl Lane

(74) *Attorney, Agent, or Firm* — McDermott Will & Emery LLP

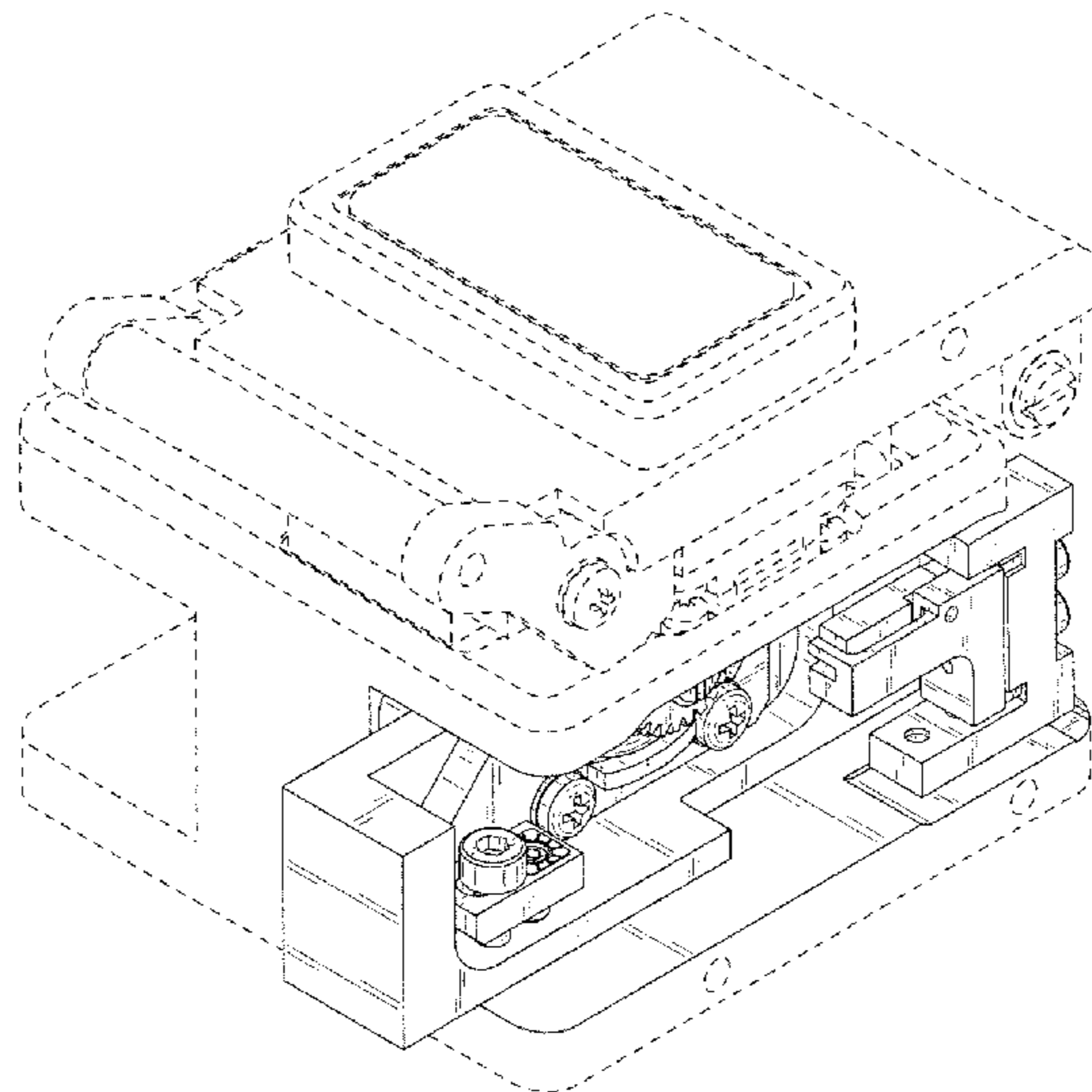
(57) **CLAIM**

The ornamental design for an optical fiber cutter, as shown and described.

DESCRIPTION

FIG. 1 is a front view of the optical fiber cutter, showing the new design;
FIG. 2 is a rear view of the optical fiber cutter;
FIG. 3 is a top plan view of the optical fiber cutter;
FIG. 4 is a bottom view of the optical fiber cutter;
FIG. 5 is a right side view of the optical fiber cutter;
FIG. 6 is a left side view of the optical fiber cutter;
FIG. 7 is a top perspective view of the optical fiber cutter;
FIG. 8 is a bottom perspective view of the optical fiber cutter;
FIG. 9 is a front view of the optical fiber cutter, with a cover open;
FIG. 10 is a top plan view of the optical fiber cutter, with the cover open;
FIG. 11 is a perspective view of the optical fiber cutter from above, with the cover open;
FIG. 12 is a front view of the optical fiber cutter, with a slide portion moved;
FIG. 13 is a rear view of the optical fiber cutter, with the slide portion moved;
FIG. 14 is a top plan view of the optical fiber cutter, with the slide portion moved;
FIG. 15 is a bottom view of the optical fiber cutter, with the slide portion moved;
FIG. 16 is a right side view of the optical fiber cutter, with the slide portion moved; and,
FIG. 17 is a perspective view of the optical fiber cutter, in use. The broken lines showing various elements of the optical fiber cutter are included for the purpose of illustrating non-claimed subject matter and form no part of the claimed design.

1 Claim, 17 Drawing Sheets



US D694,602 S

Page 2

(56)

References Cited

7,539,389 B2 * 5/2009 Brinson et al. 385/137
D641,600 S * 7/2011 Fukuda et al. D8/29.1

U.S. PATENT DOCUMENTS

7,391,951 B2 * 6/2008 Hayashi et al. 385/134 * cited by examiner

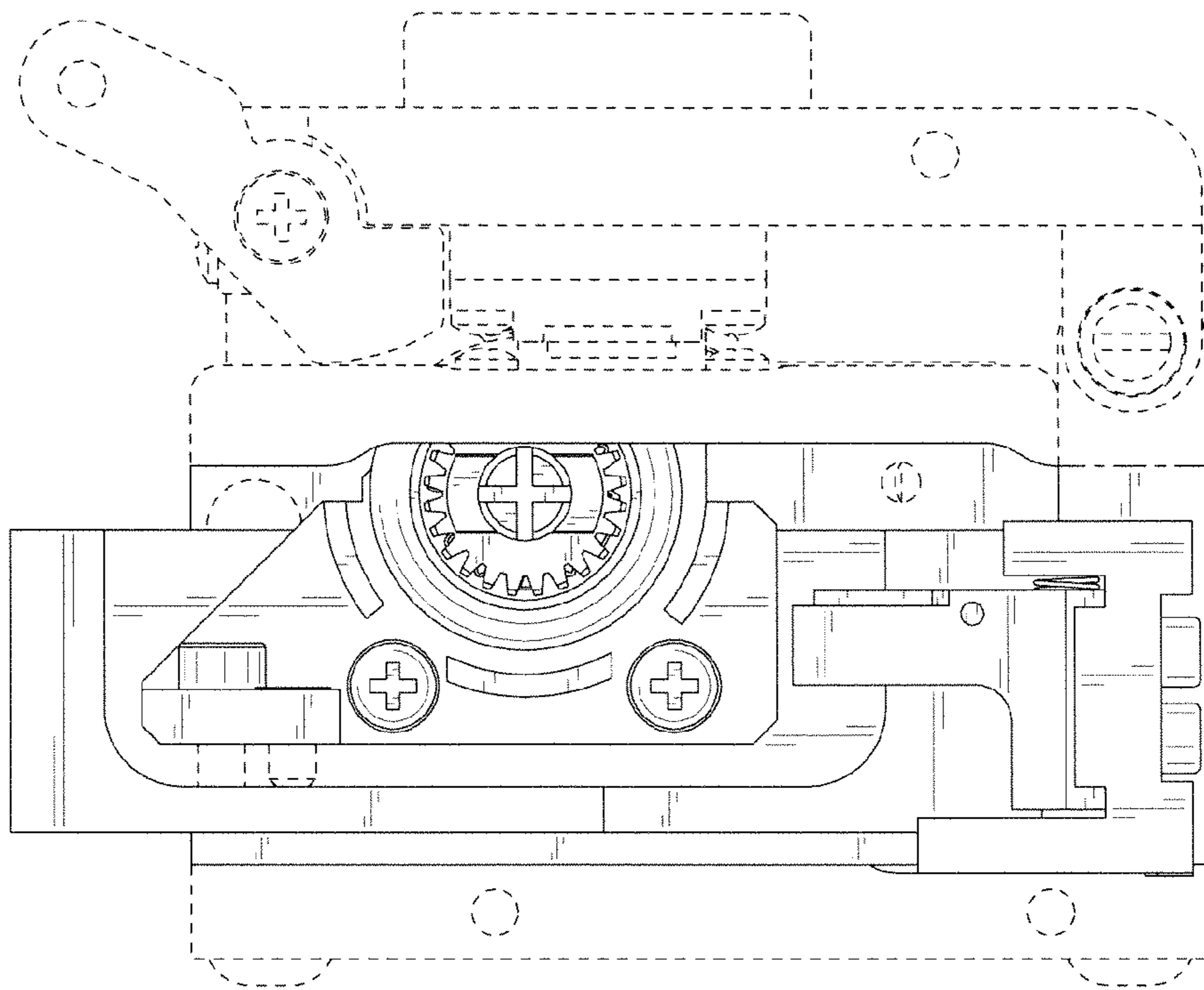


FIG. 1

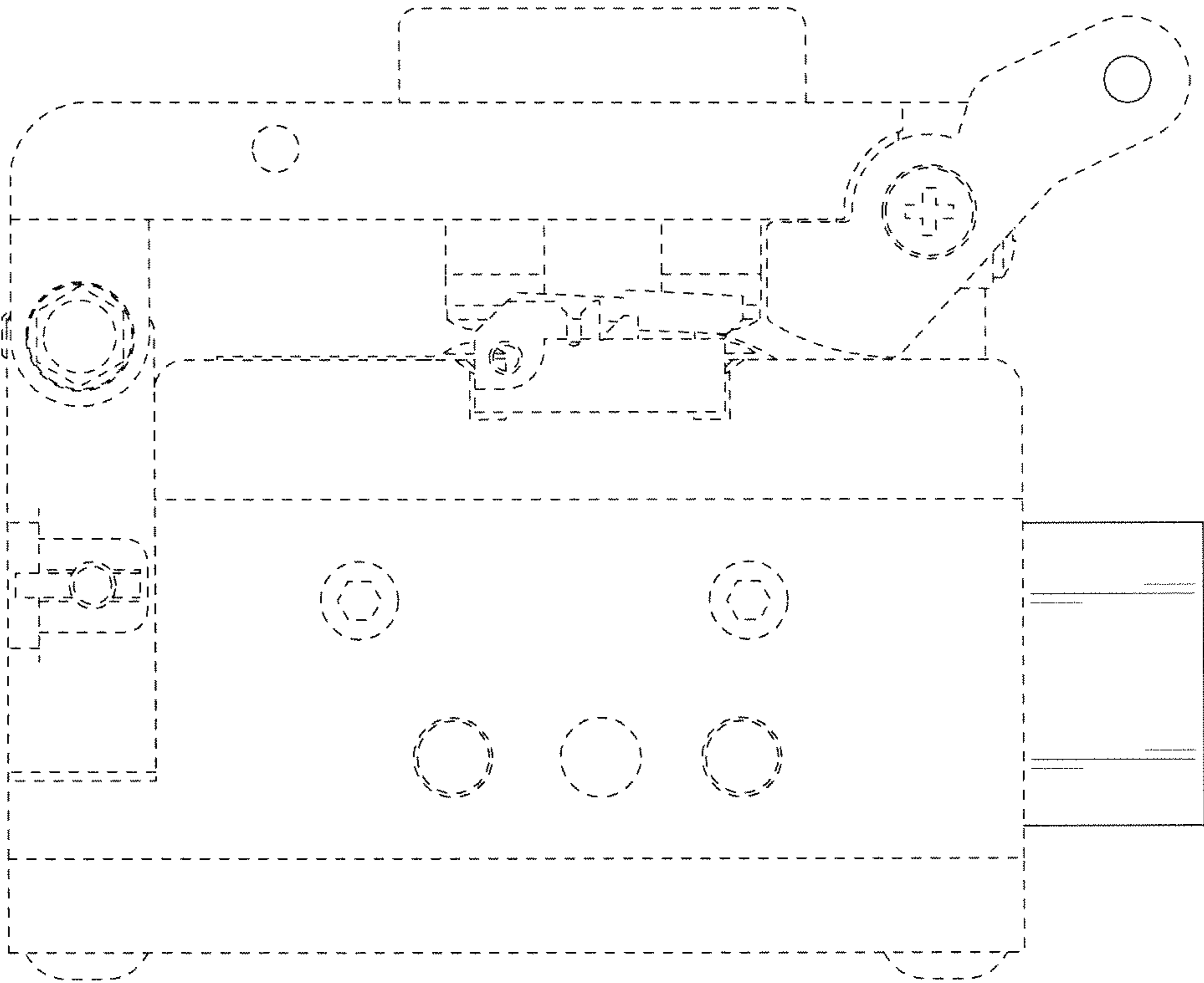


FIG. 2

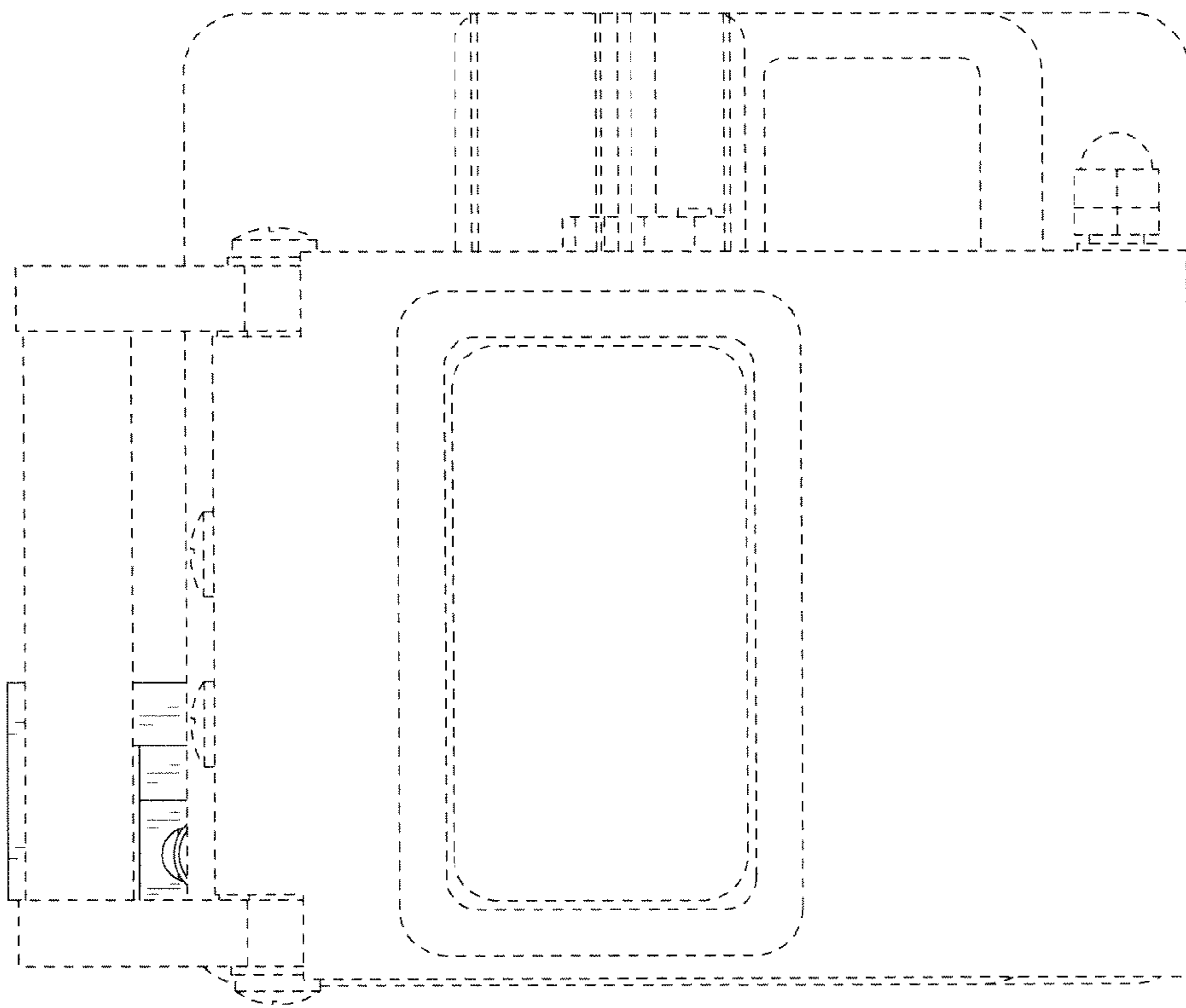


FIG. 3

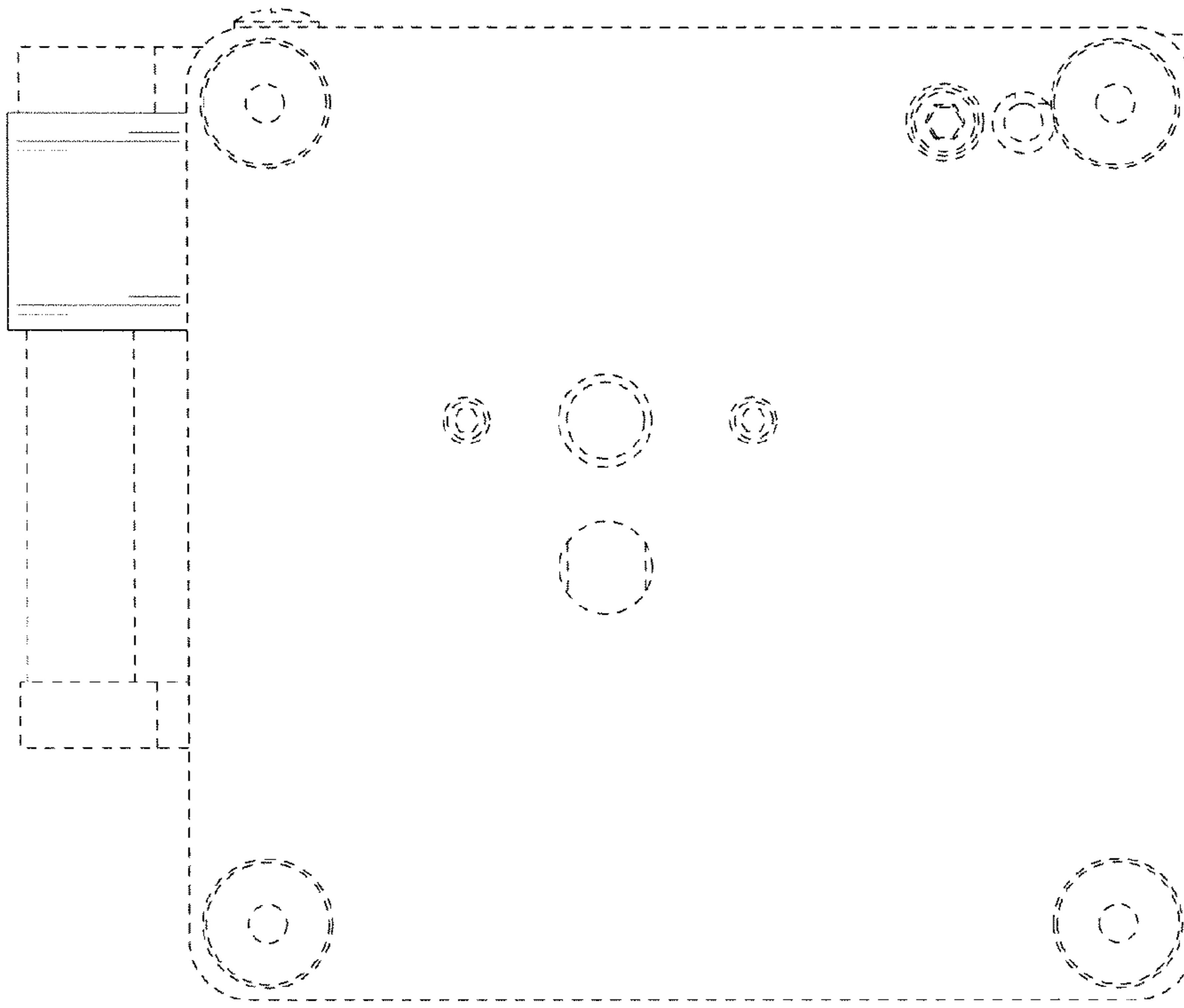


FIG. 4

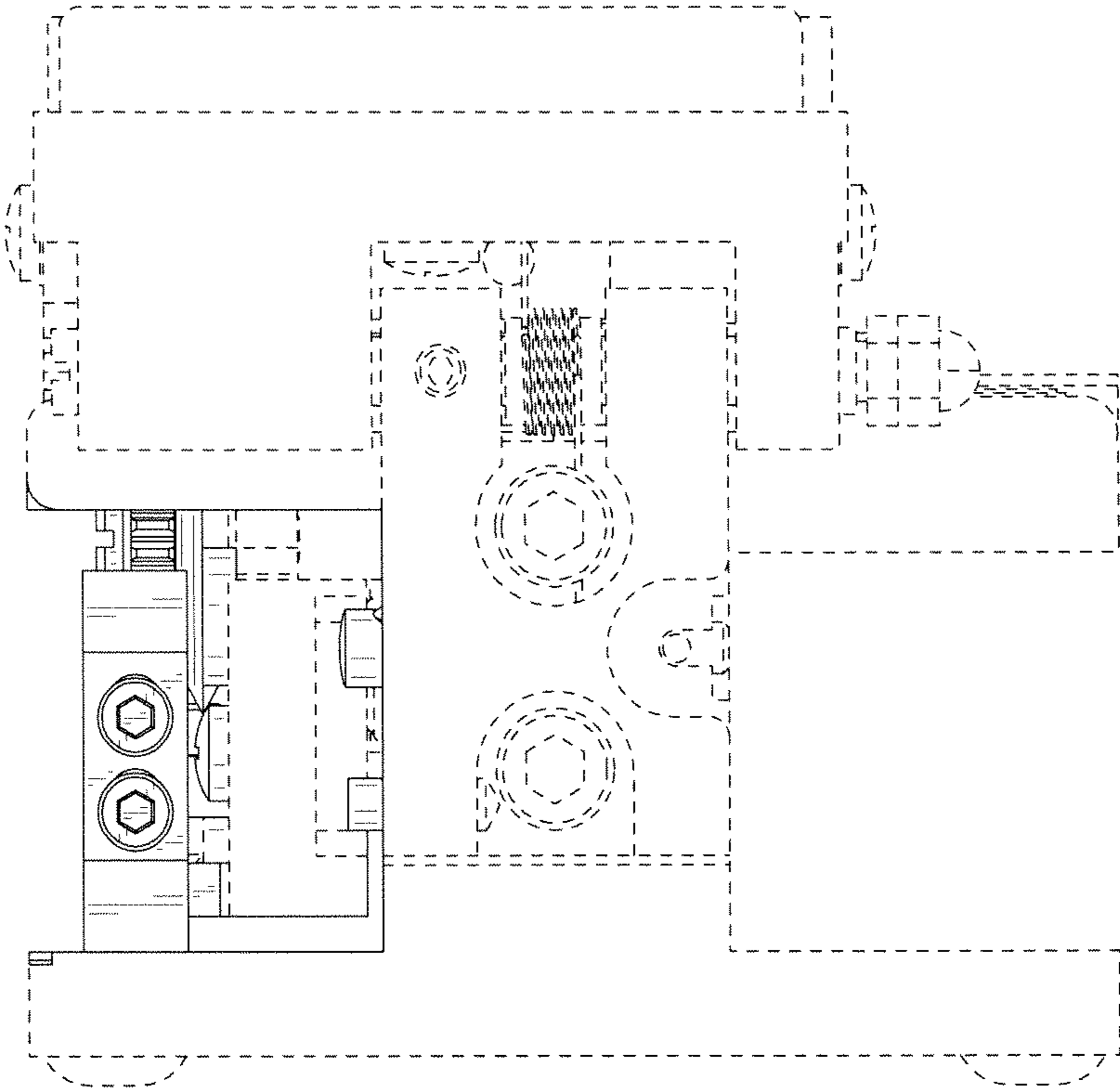


FIG. 5

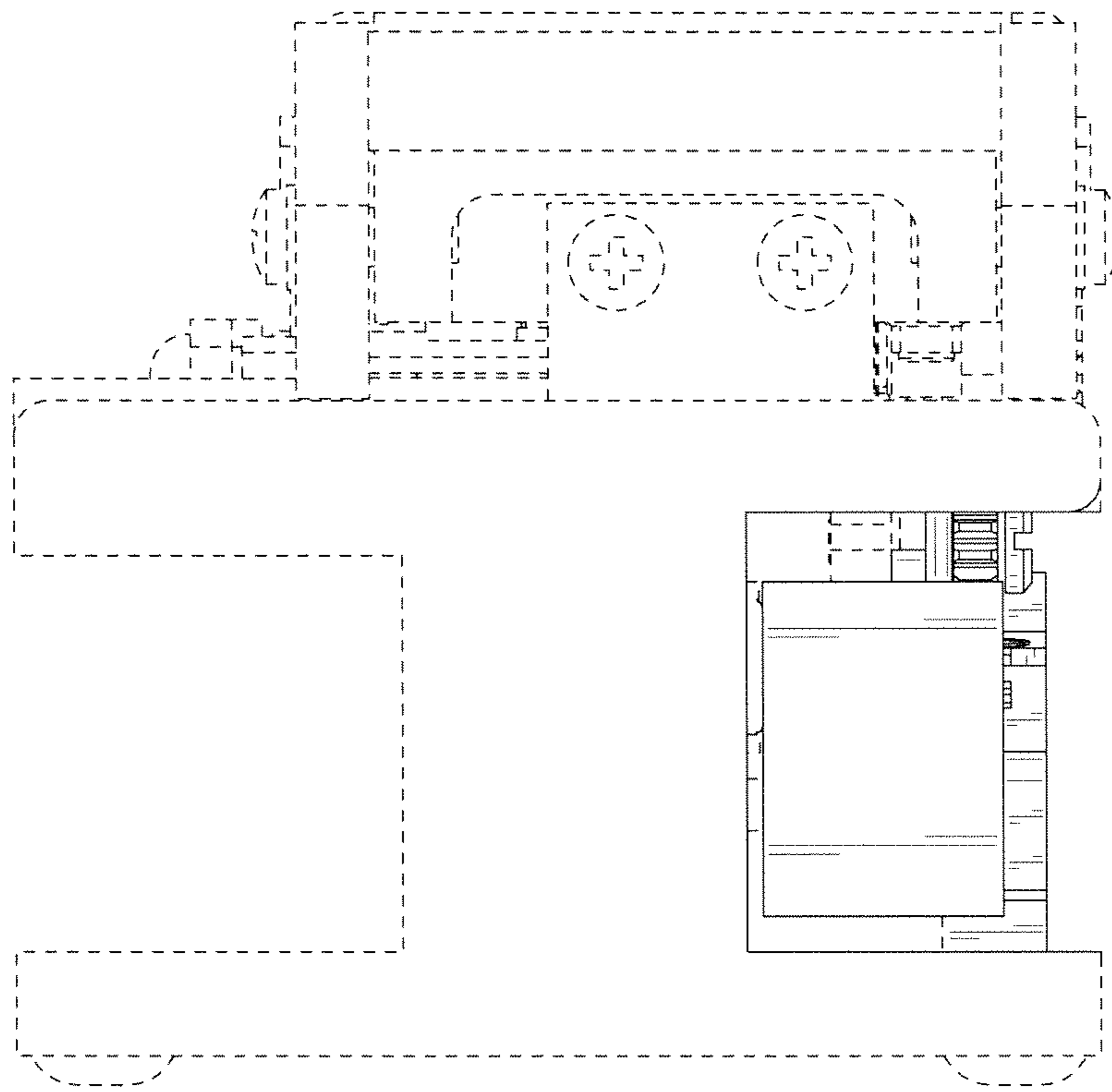


FIG. 6

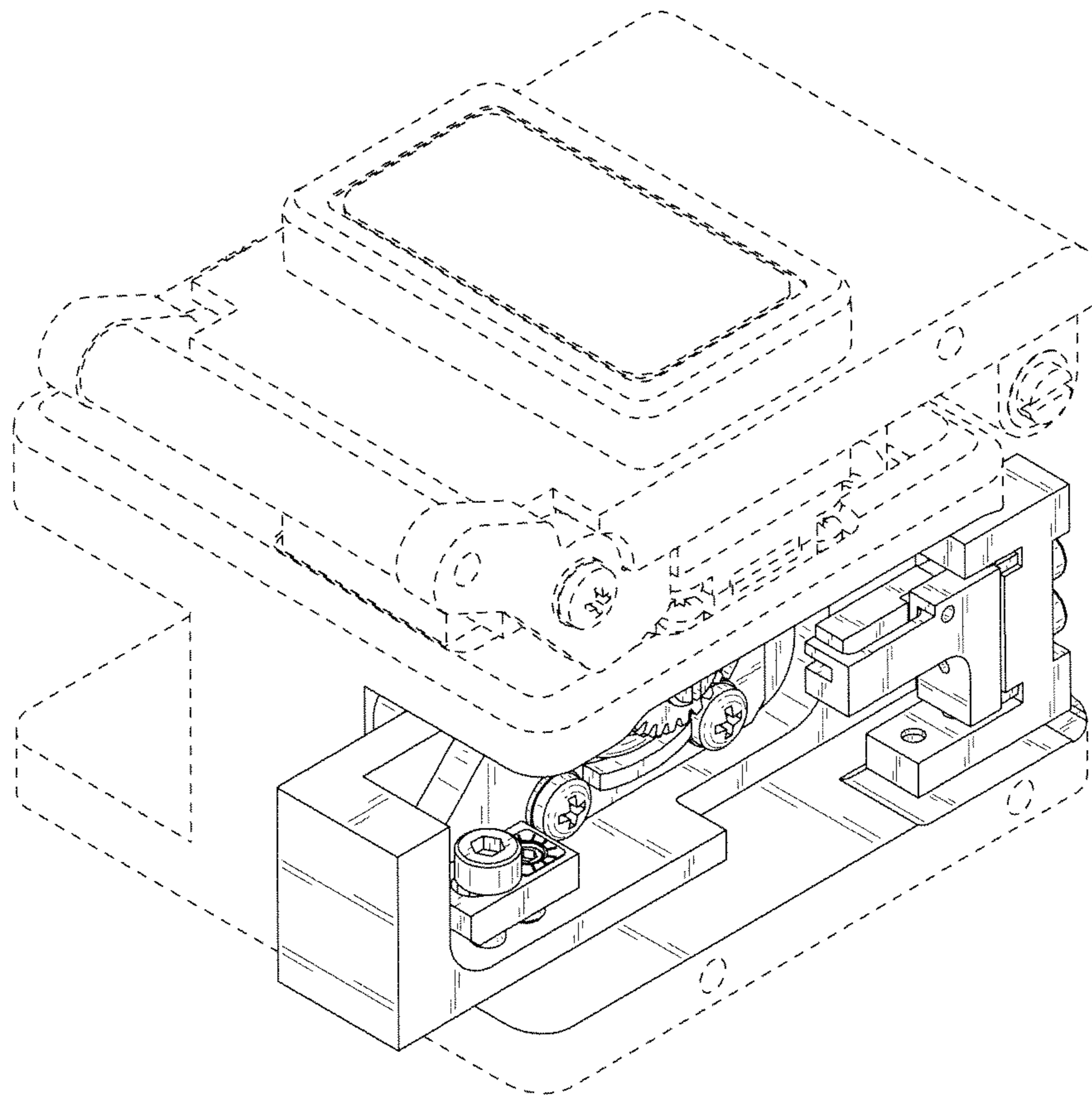


FIG. 7

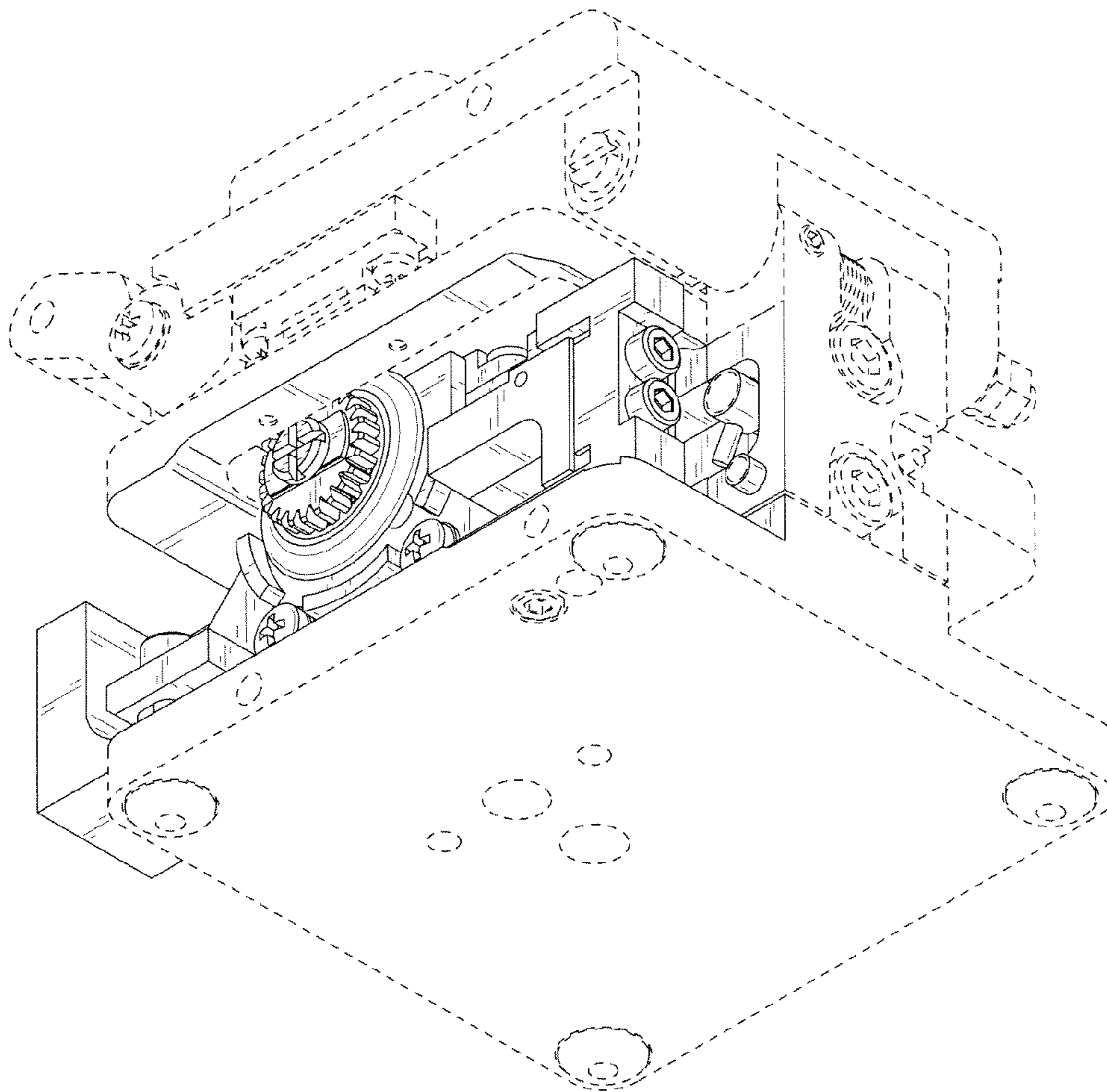


FIG. 8

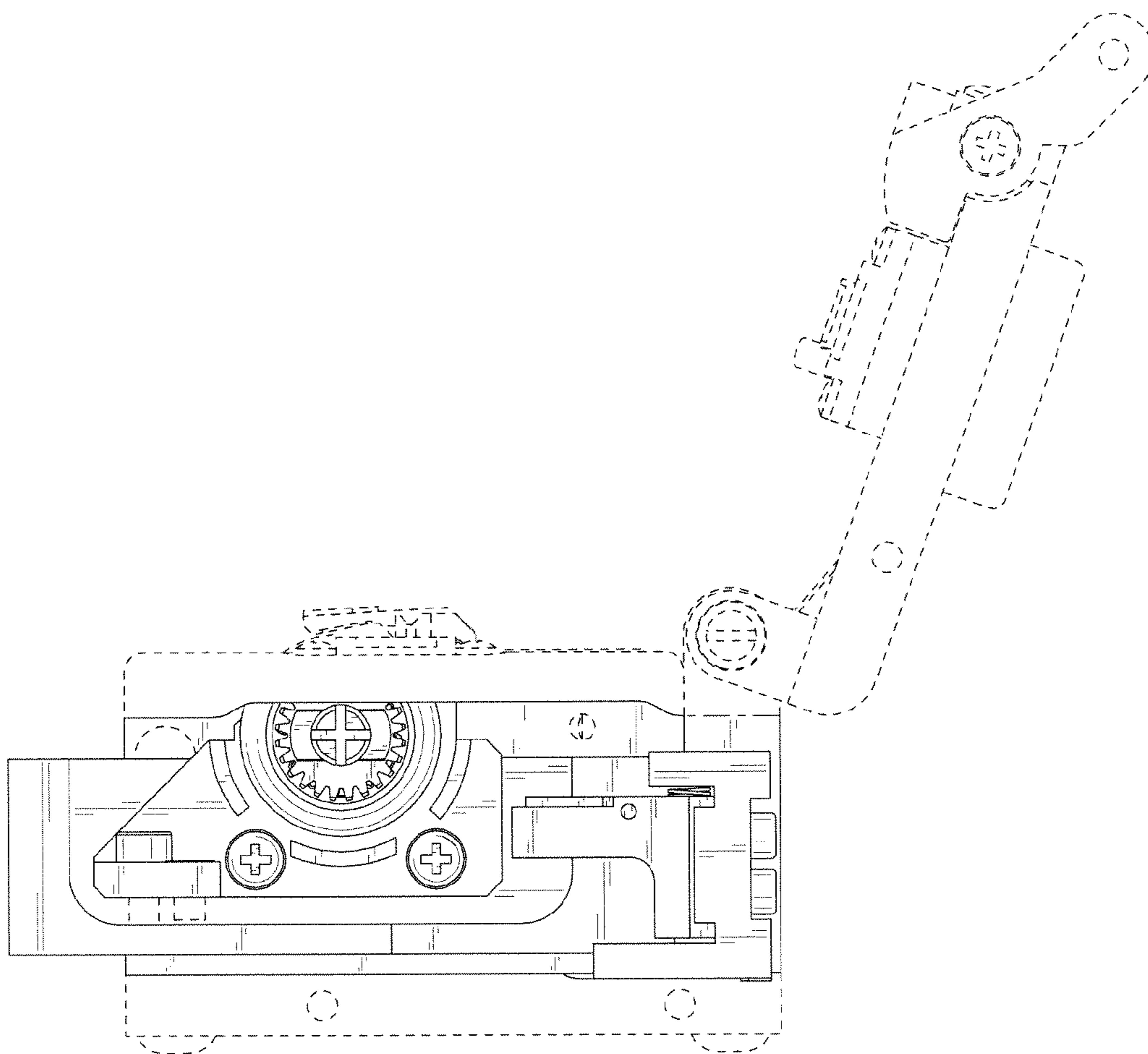


FIG. 9

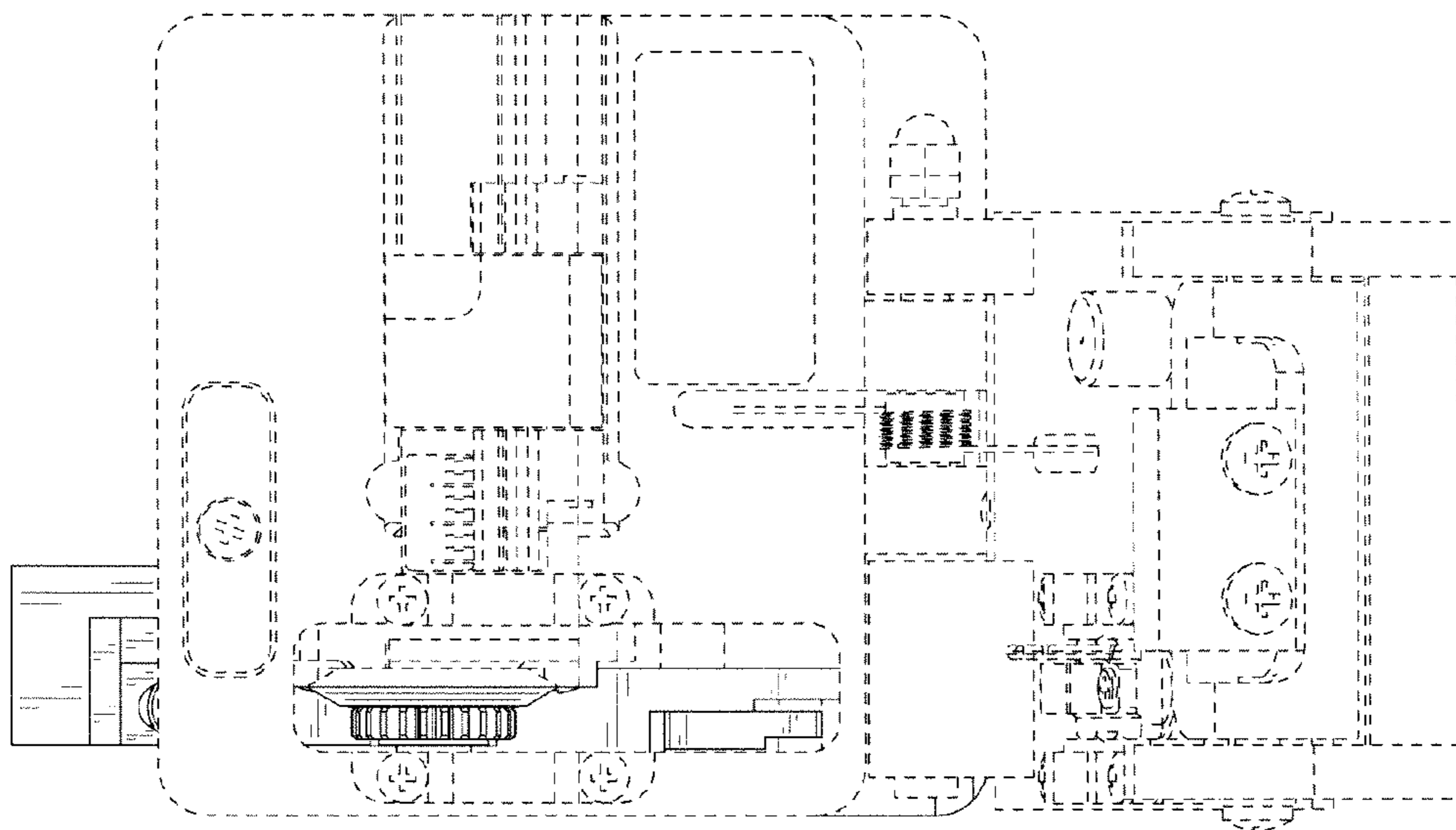


FIG. 10

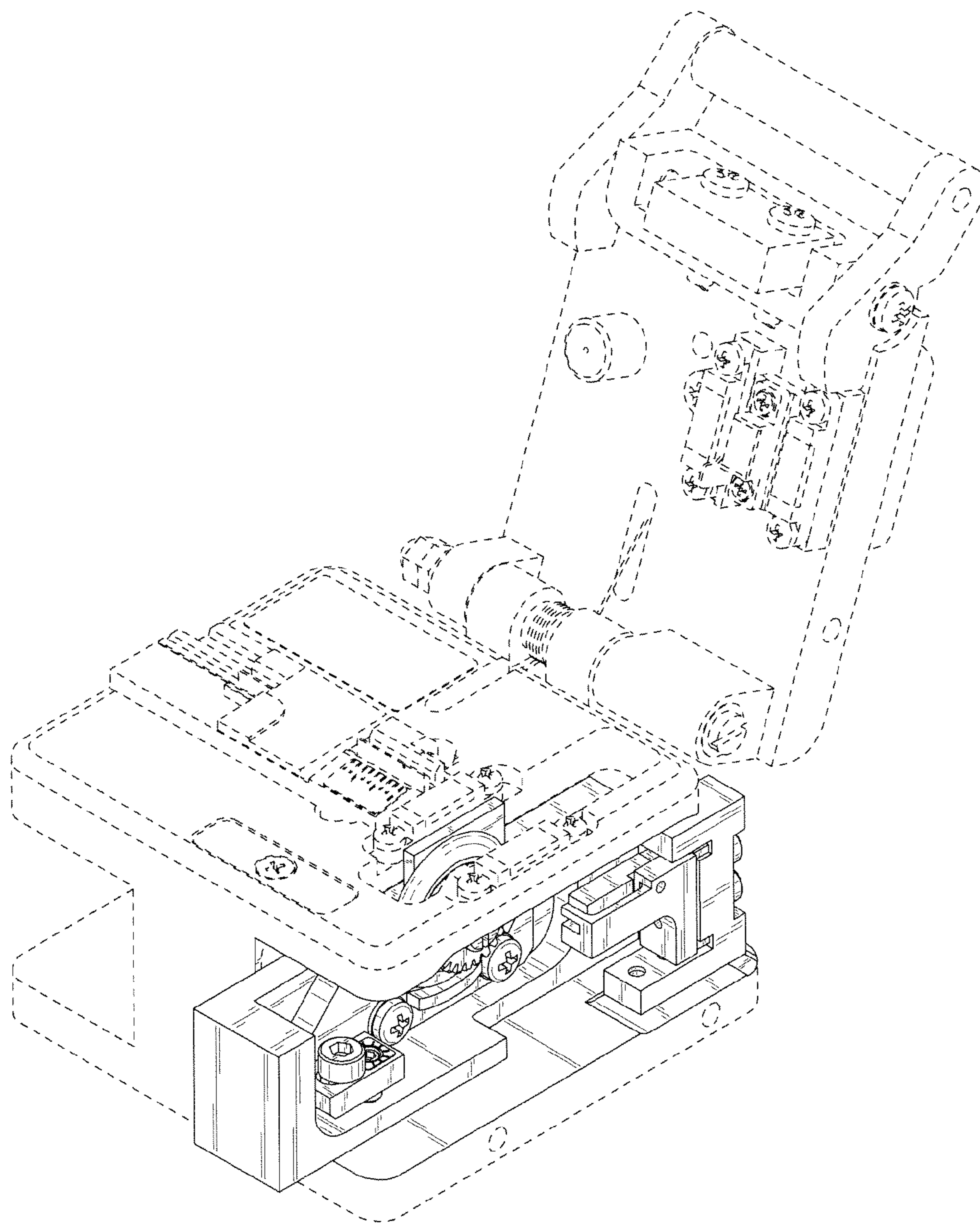


FIG. 11

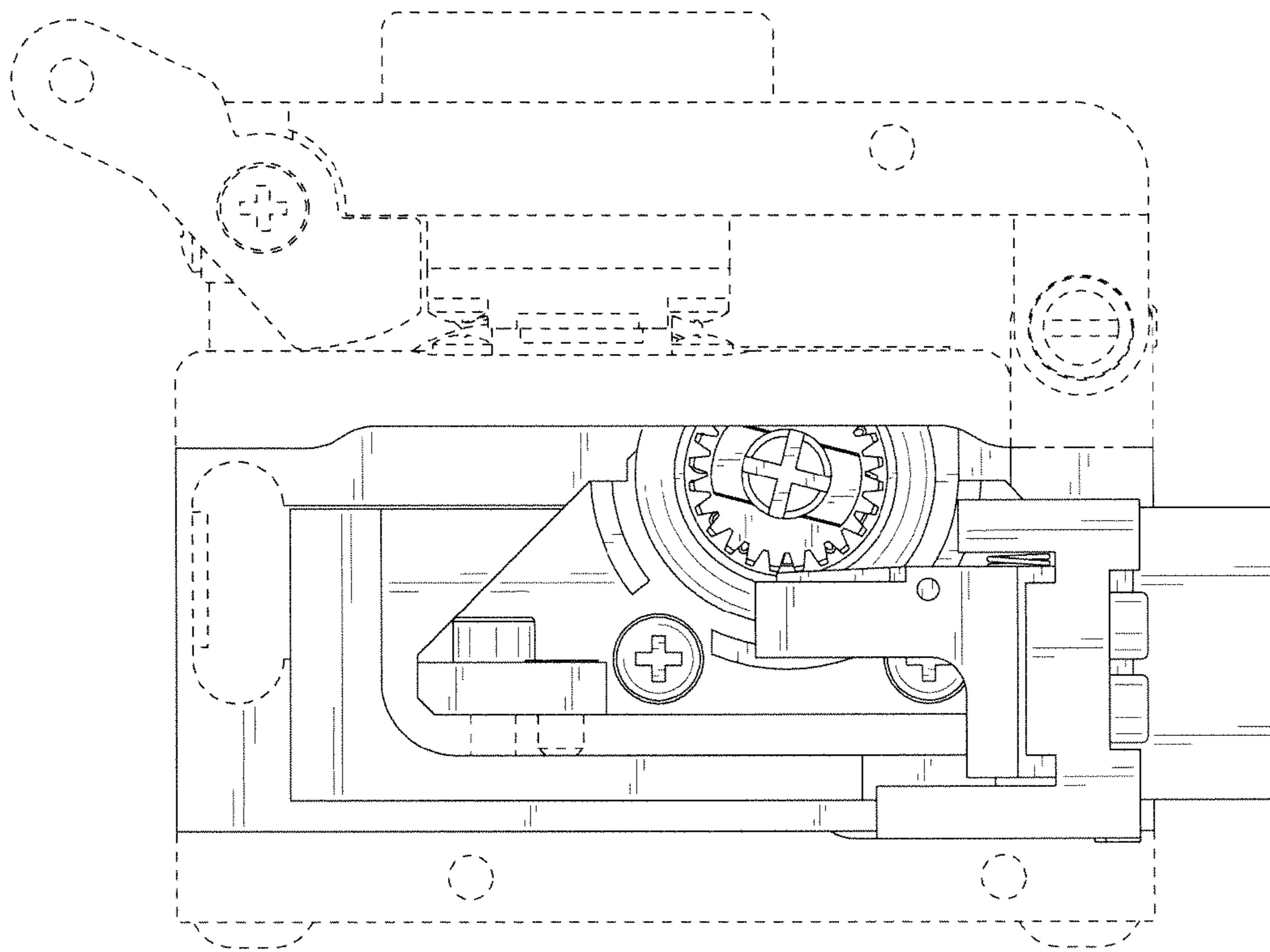


FIG. 12

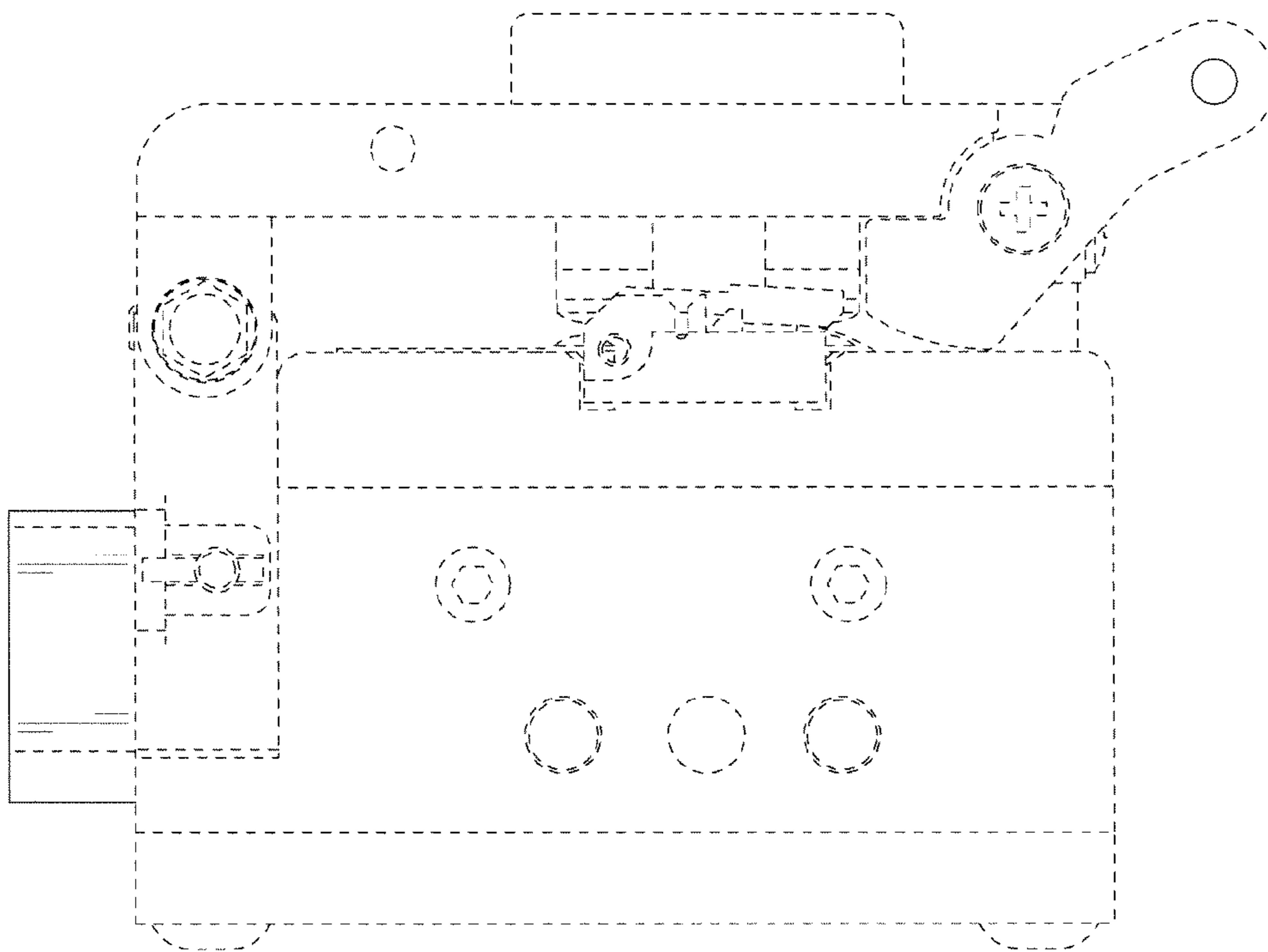


FIG. 13

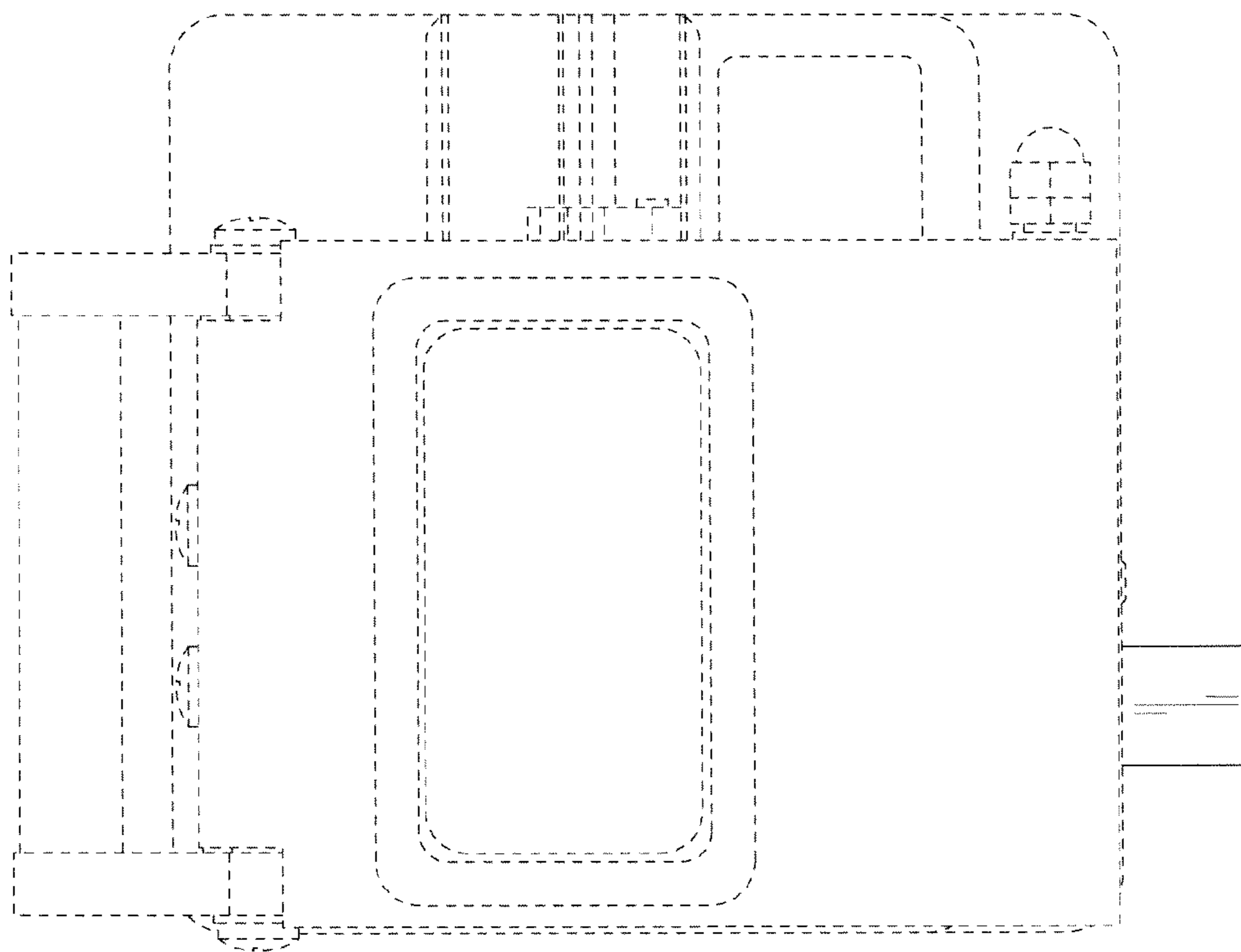


FIG. 14

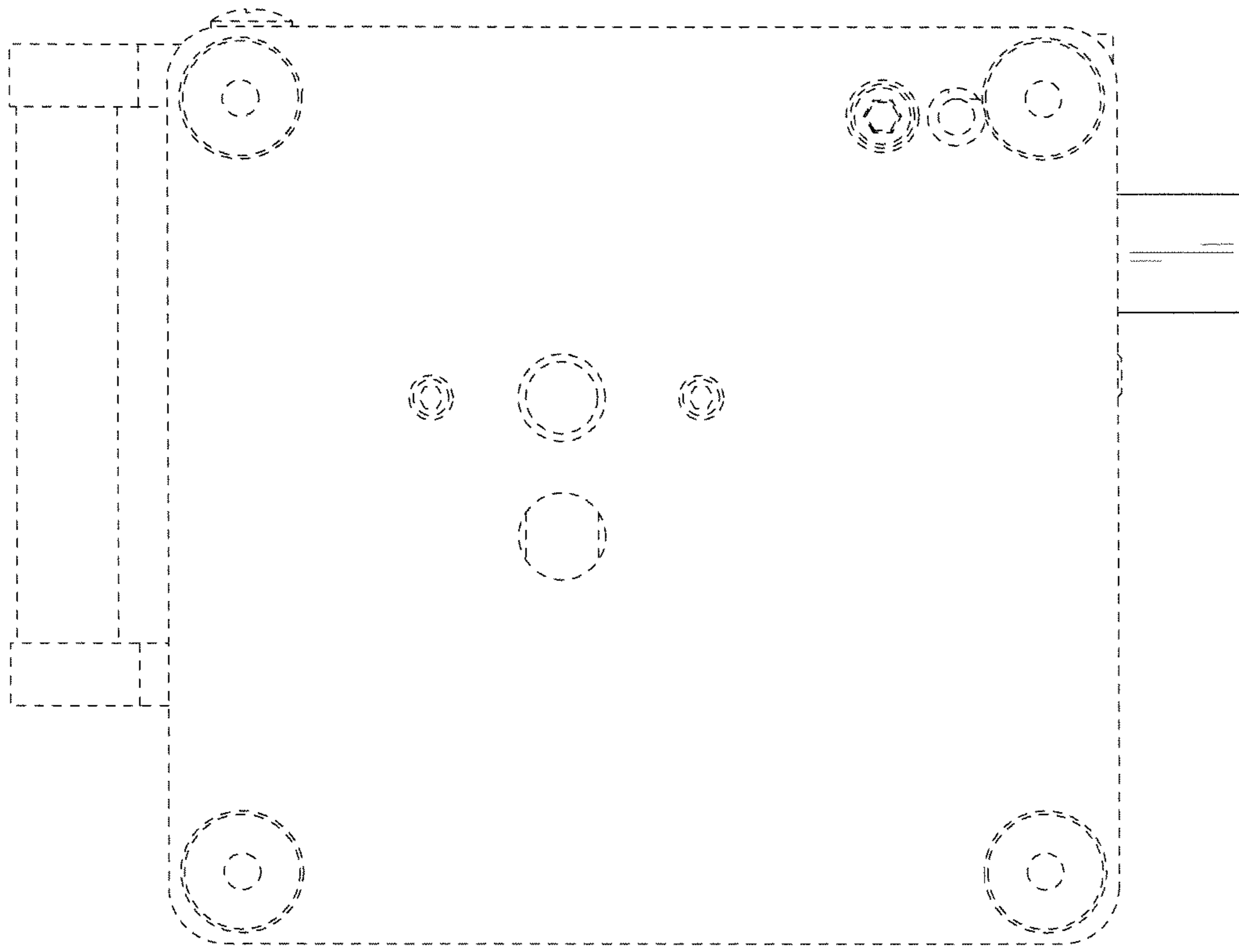


FIG. 15

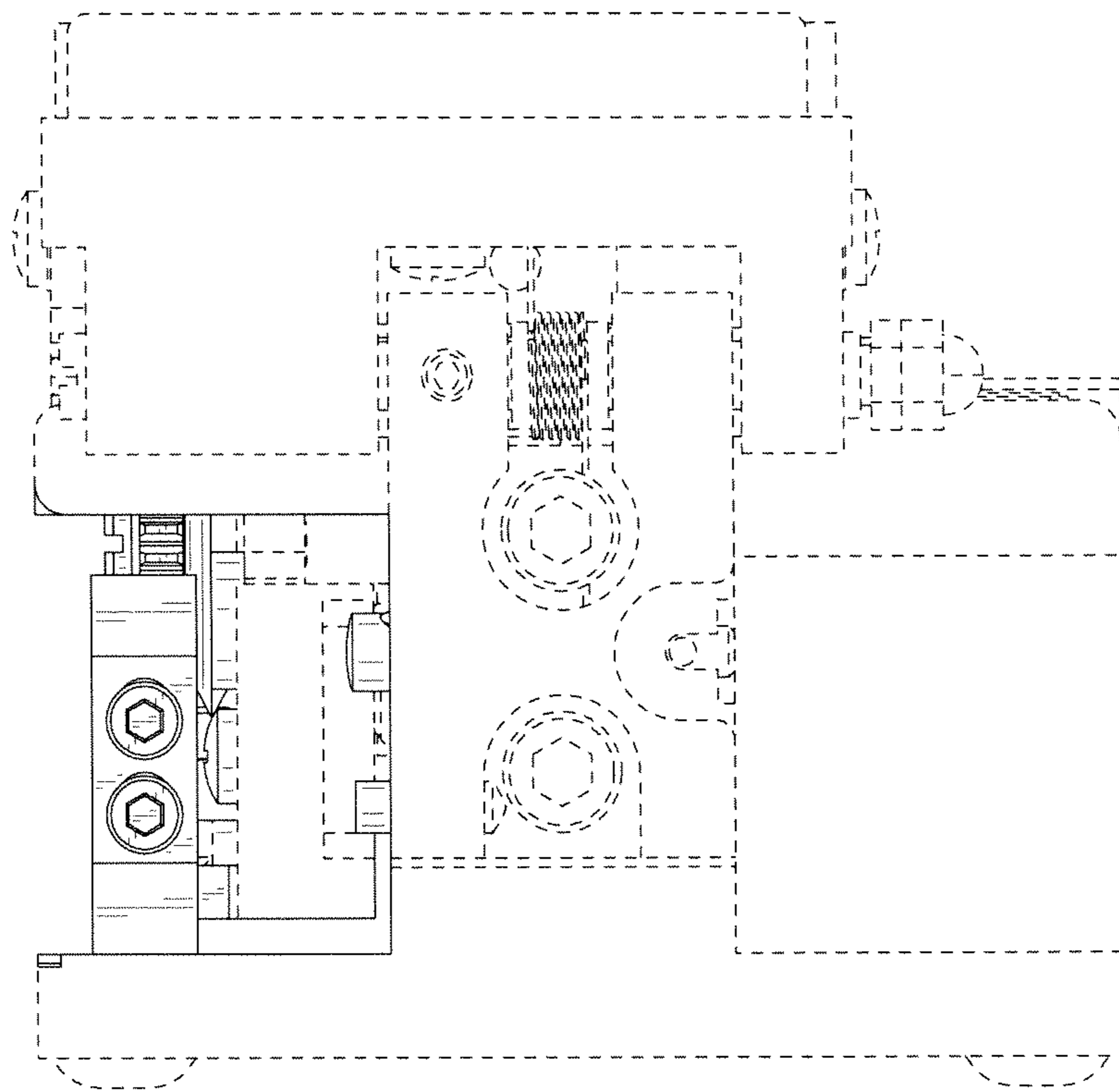


FIG. 16

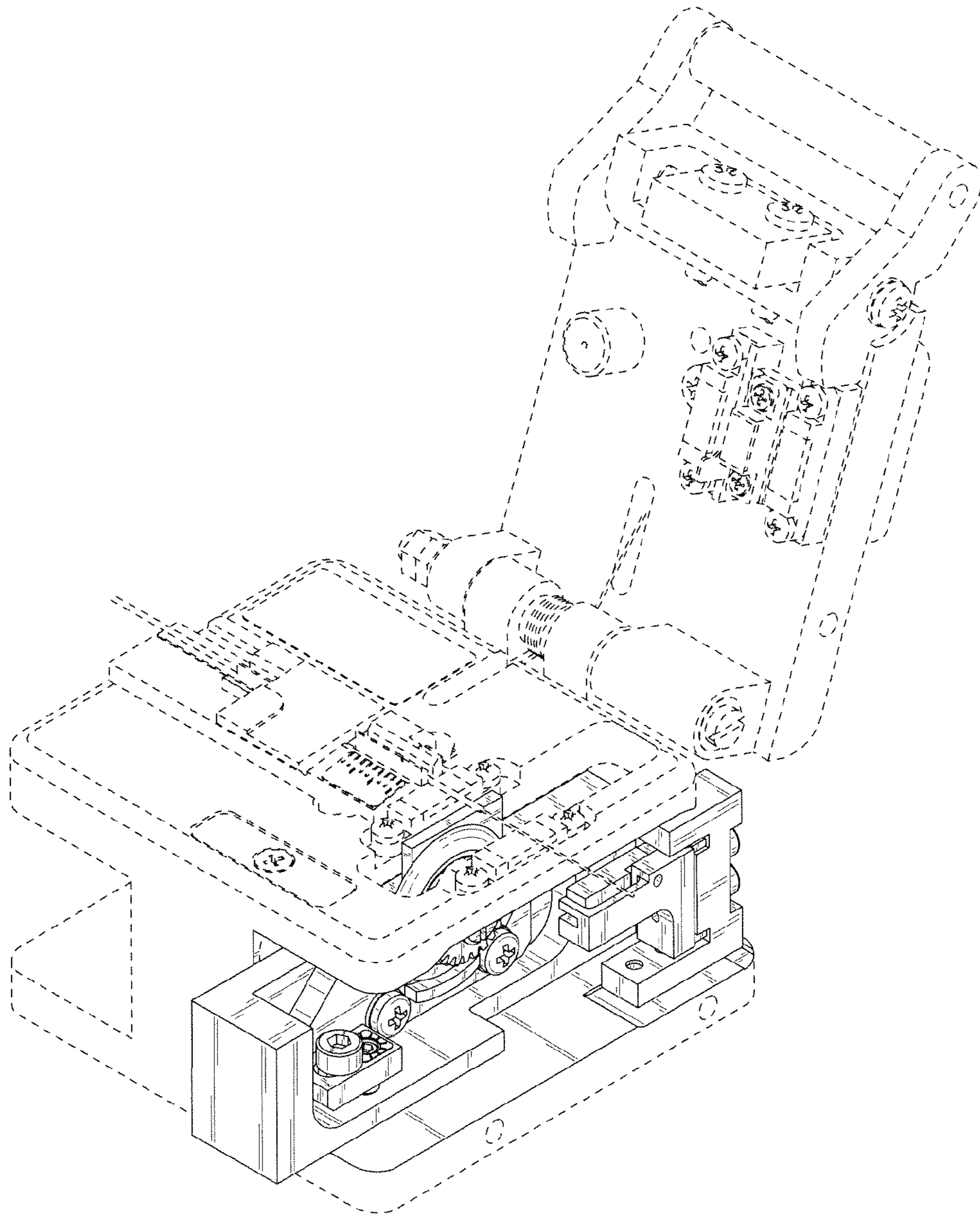


FIG. 17