



US00D694601S

(12) **United States Design Patent**  
**Kameda et al.**

(10) **Patent No.:** **US D694,601 S**  
(45) **Date of Patent:** **\*\* Dec. 3, 2013**

- (54) **STAPLE CARTRIDGE**
- (71) Applicant: **Max Co., Ltd.**, Tokyo (JP)
- (72) Inventors: **Futoshi Kameda**, Tokyo (JP); **Shinpei Sugihara**, Tokyo (JP)
- (73) Assignee: **Max Co., Ltd.**, Tokyo (JP)
- (\*\*) Term: **14 Years**
- (21) Appl. No.: **29/458,993**
- (22) Filed: **Jun. 25, 2013**
- (30) **Foreign Application Priority Data**  
Dec. 27, 2012 (JP) ..... 2012-031826
- (51) **LOC (9) Cl.** ..... **19-02**
- (52) **U.S. Cl.**  
USPC ..... **D8/49**
- (58) **Field of Classification Search**  
USPC ..... D8/49, 50, 61, 68, 69; D19/72, 73, 65,  
D19/69; D21/532; D24/145; 7/158, 160;  
227/4, 5, 6, 7, 8, 120, 127, 128, 131,  
227/132, 134, 144, 156, 119, 155, 82;  
606/139, 143, 153, 219  
See application file for complete search history.

D512,889	S	*	12/2005	Miwa et al.	.....	D8/49
D593,824	S	*	6/2009	Yagi	.....	D8/49
7,571,842	B2	*	8/2009	Kishi et al.	.....	227/120
7,597,228	B2	*	10/2009	Yoshie	.....	227/120
7,721,929	B2	*	5/2010	Yoshie	.....	227/120
7,900,804	B2	*	3/2011	Hakozaki et al.	.....	227/120
8,006,882	B2	*	8/2011	Kameda et al.	.....	227/120
8,360,291	B2	*	1/2013	Kameda	.....	227/120

\* cited by examiner

*Primary Examiner* — Austin Murphy  
(74) *Attorney, Agent, or Firm* — Drinker Biddle & Reath LLP

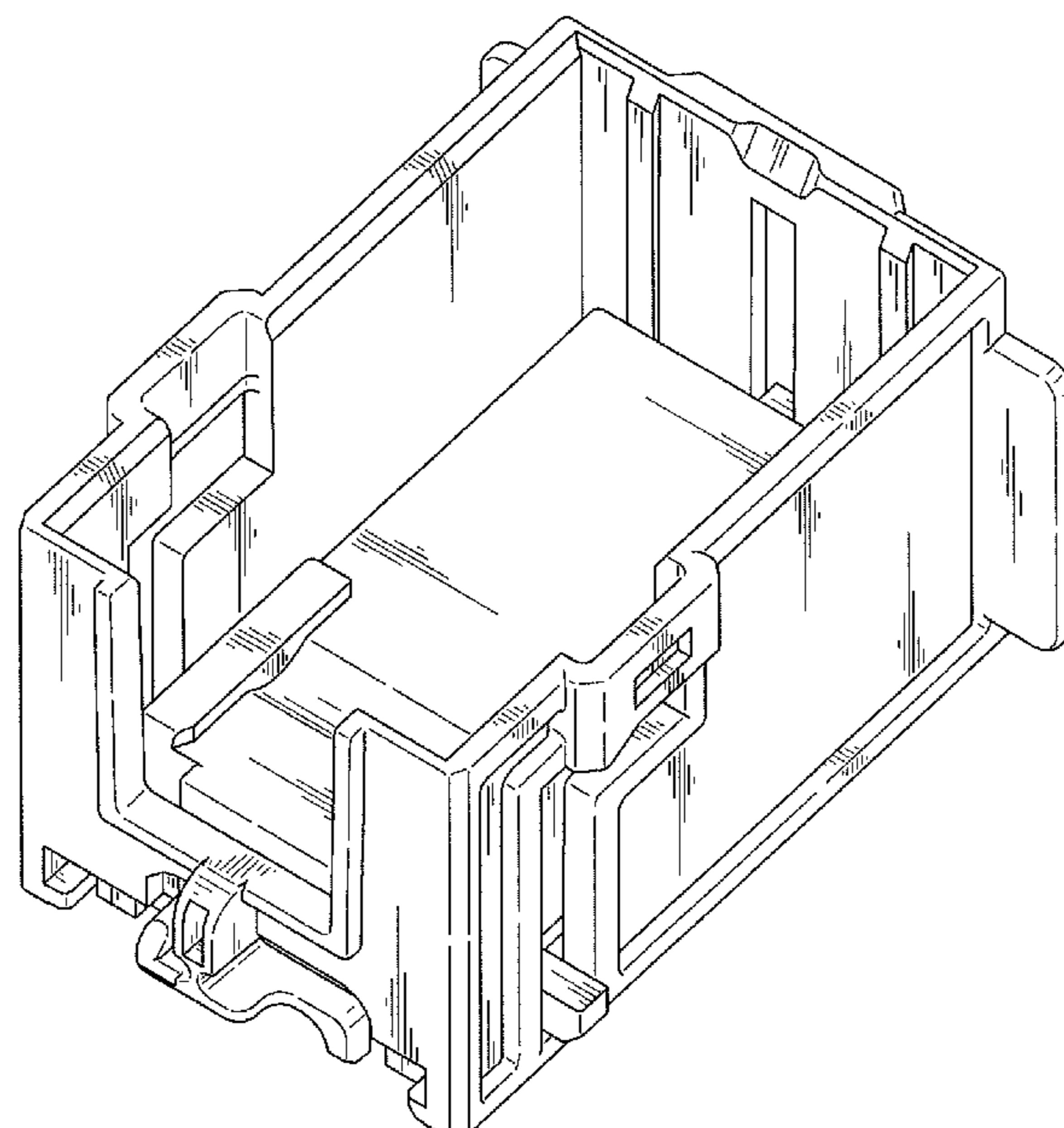
(57) **CLAIM**  
The ornamental design for a staple cartridge, as shown and described.

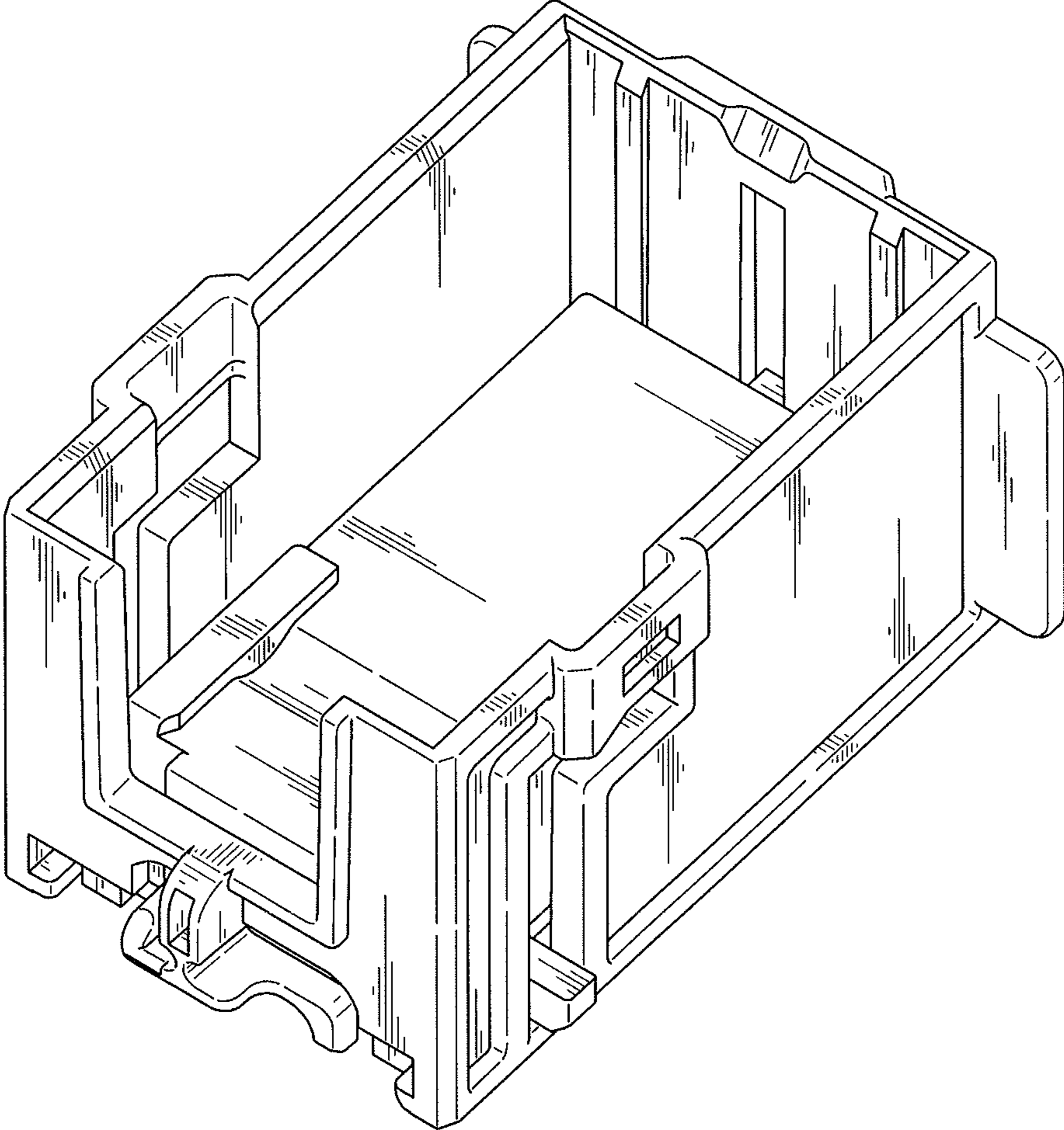
**DESCRIPTION**

FIG. 1 is a perspective view of the front, top and left side of a staple cartridge showing our new design;  
 FIG. 2 is a perspective view of the rear, bottom and right side thereof;  
 FIG. 3 is a front view thereof;  
 FIG. 4 is a rear view thereof;  
 FIG. 5 is a left side view thereof;  
 FIG. 6 is a right side view thereof;  
 FIG. 7 is a top view thereof;  
 FIG. 8 is a bottom view thereof;  
 FIG. 9 is a cross sectional view at 9-9 in FIG. 3 thereof;  
 FIG. 10 is a cross sectional view at 10-10 in FIG. 7 thereof;  
 and,  
 FIG. 11 is a reference view shown at the state of containing the staples thereof.  
 The broken lines shown are included for the purpose of illustrating the unclaimed portions of staple cartridge and form no part of the claimed design.

**1 Claim, 7 Drawing Sheets**

- (56) **References Cited**  
U.S. PATENT DOCUMENTS  
5,273,199 A \* 12/1993 Logtens ..... 227/87  
6,039,230 A \* 3/2000 Yagi et al. .... 227/120  
6,557,744 B2 \* 5/2003 Kitamura ..... 227/119  
6,715,654 B2 \* 4/2004 Sugihara et al. .... 227/2  
D504,295 S \* 4/2005 Haramiishi ..... D8/49  
D507,729 S \* 7/2005 Kishi et al. .... D8/49  
D512,289 S \* 12/2005 Miwa et al. .... D8/49





*FIG. 1*

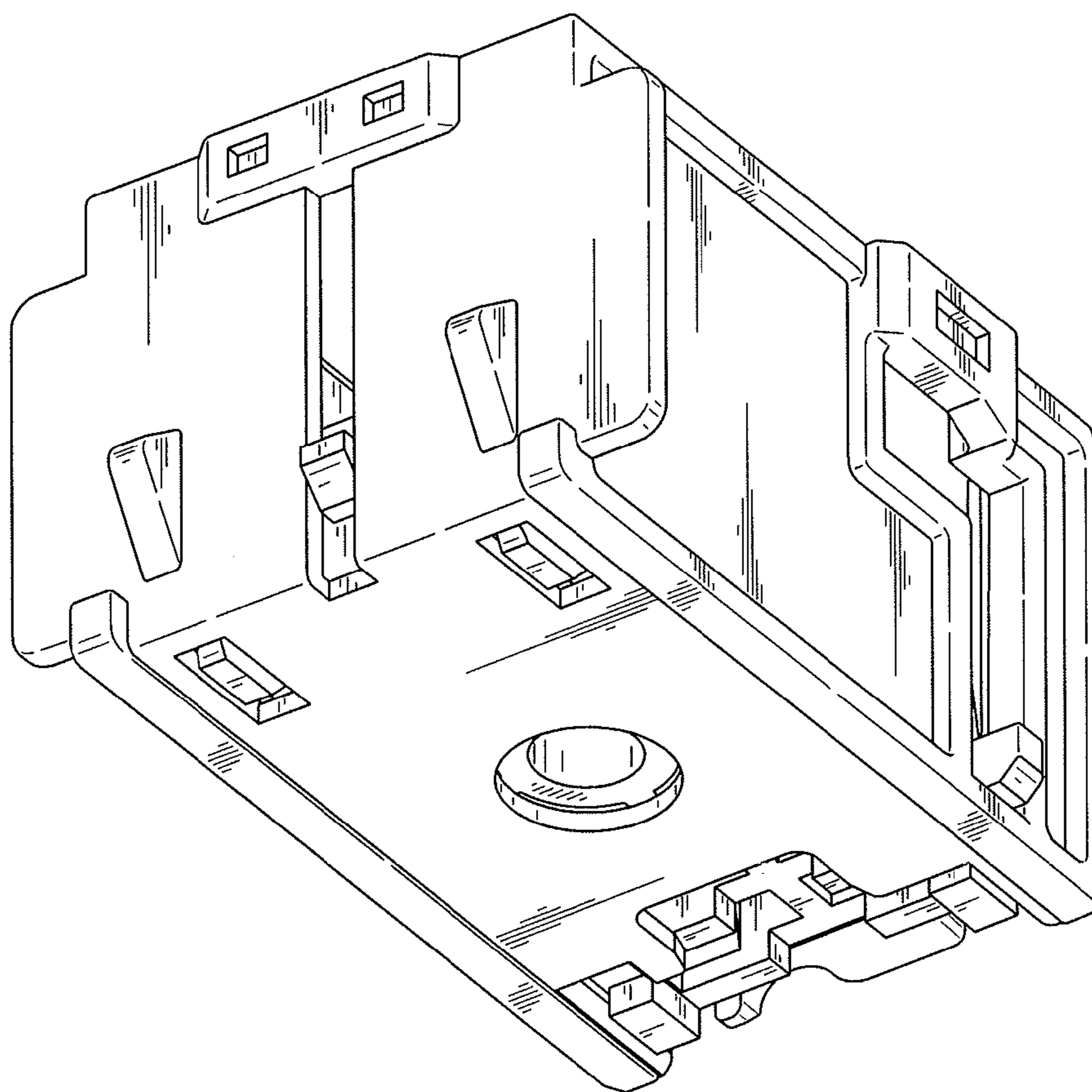


FIG. 2

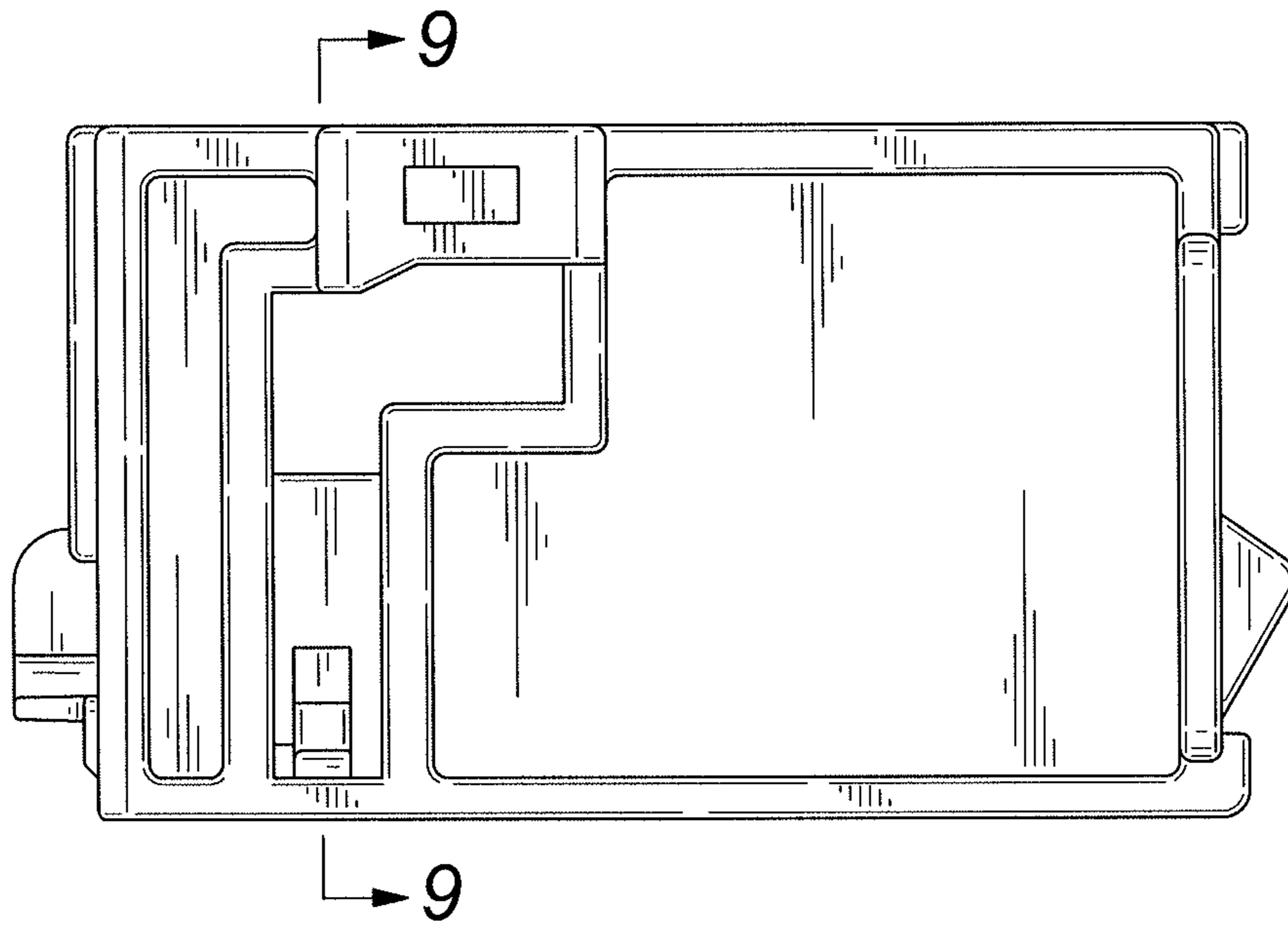


FIG. 3

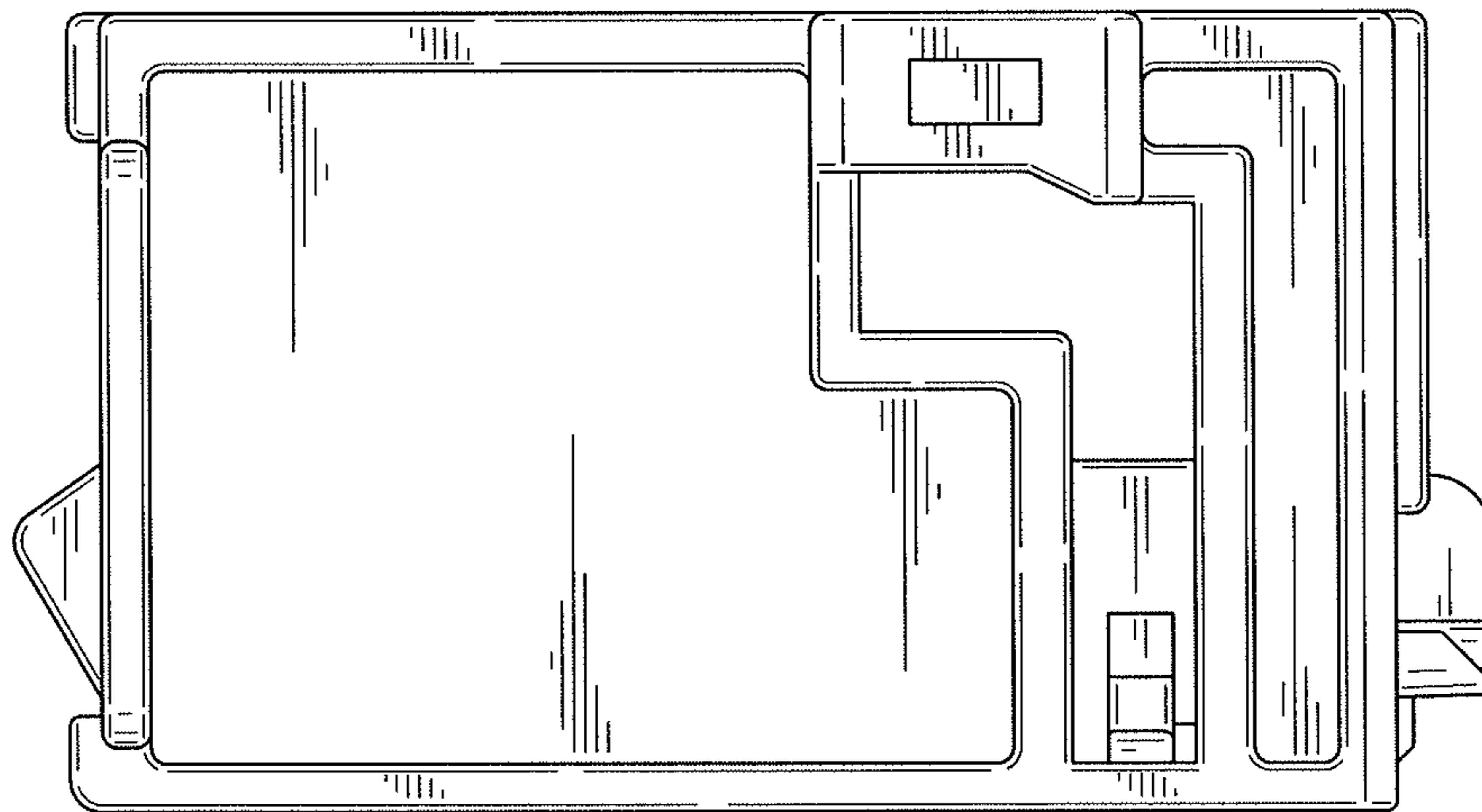
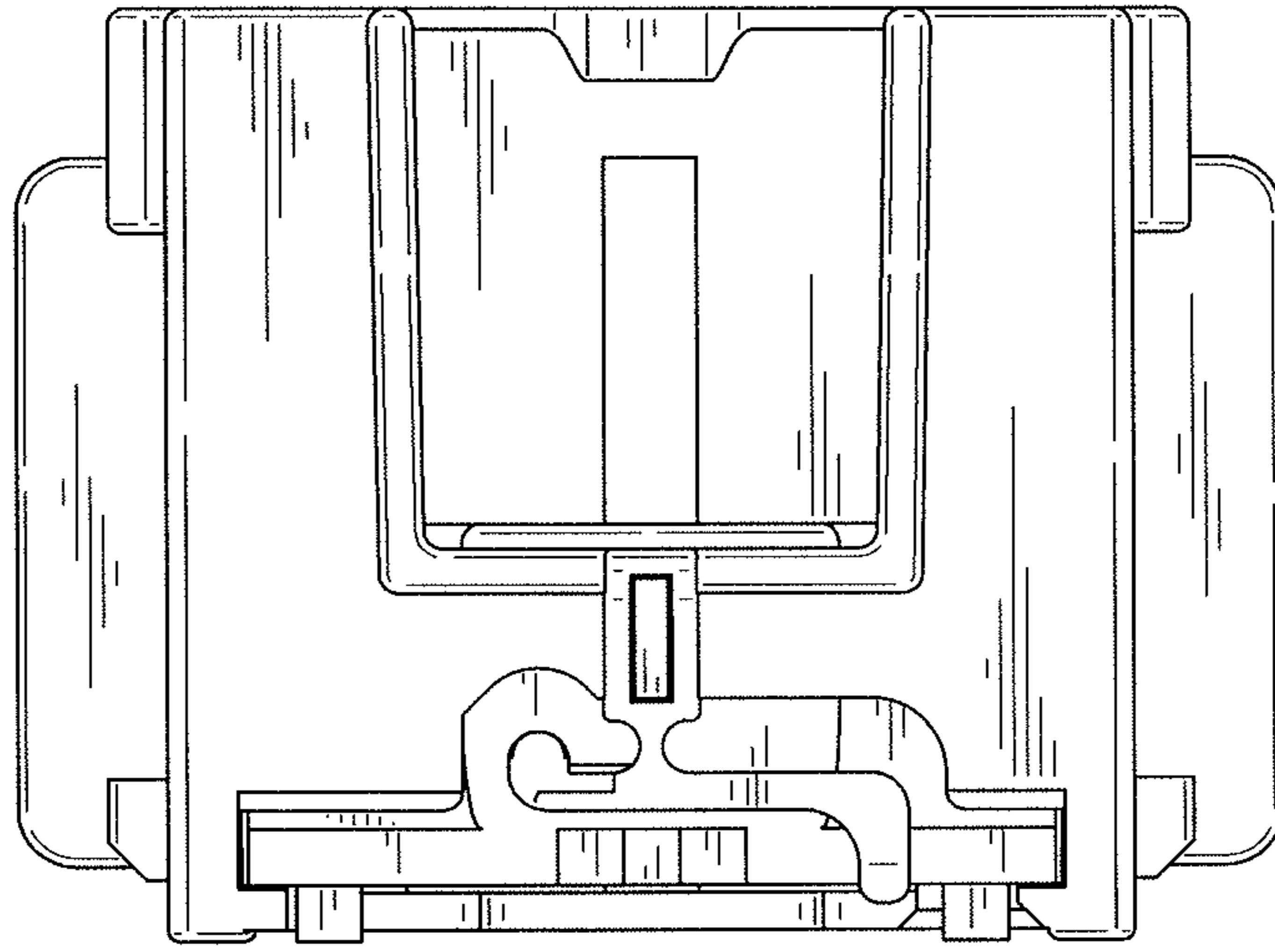
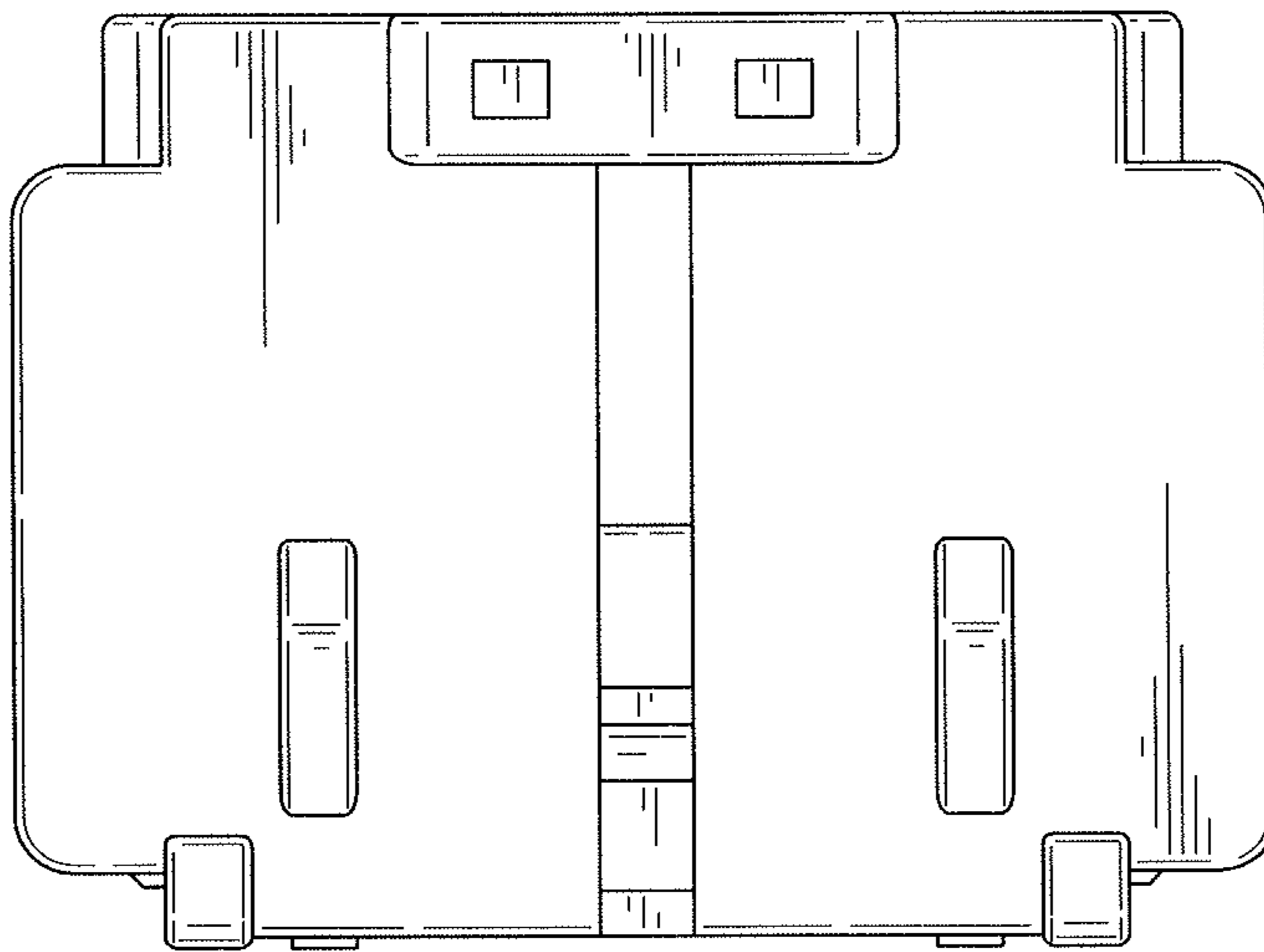


FIG. 4



*FIG. 5*



*FIG. 6*

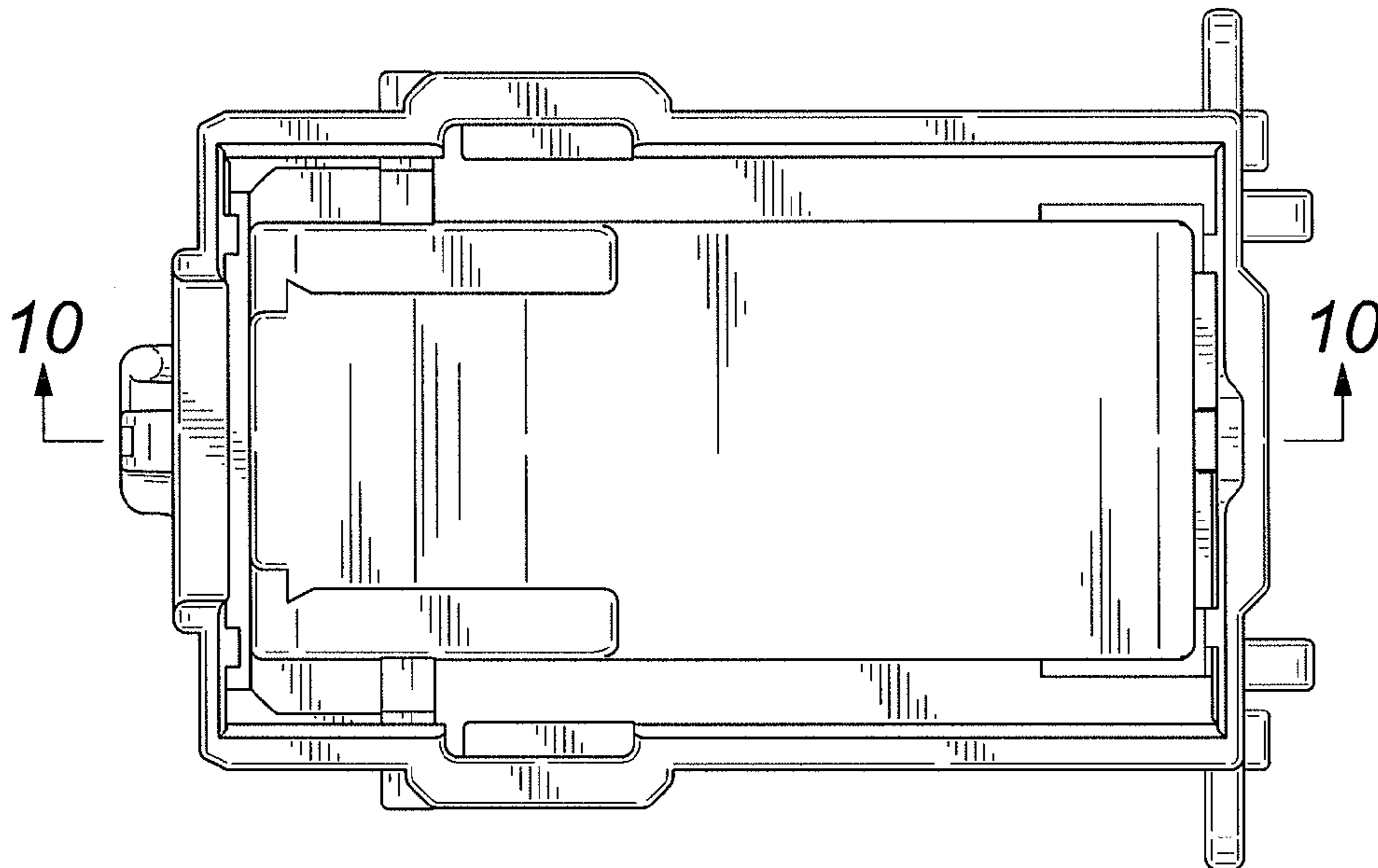


FIG. 7

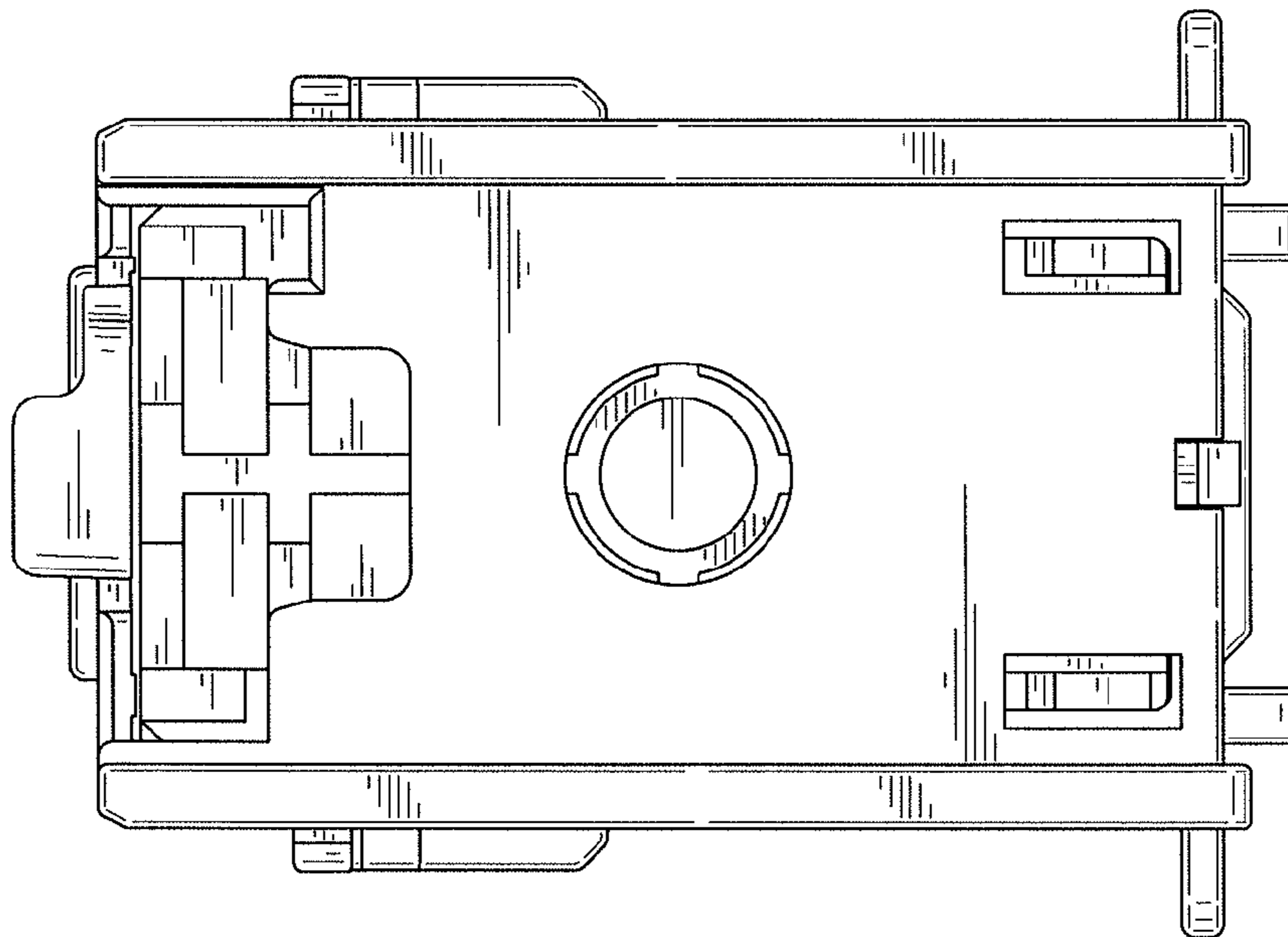


FIG. 8

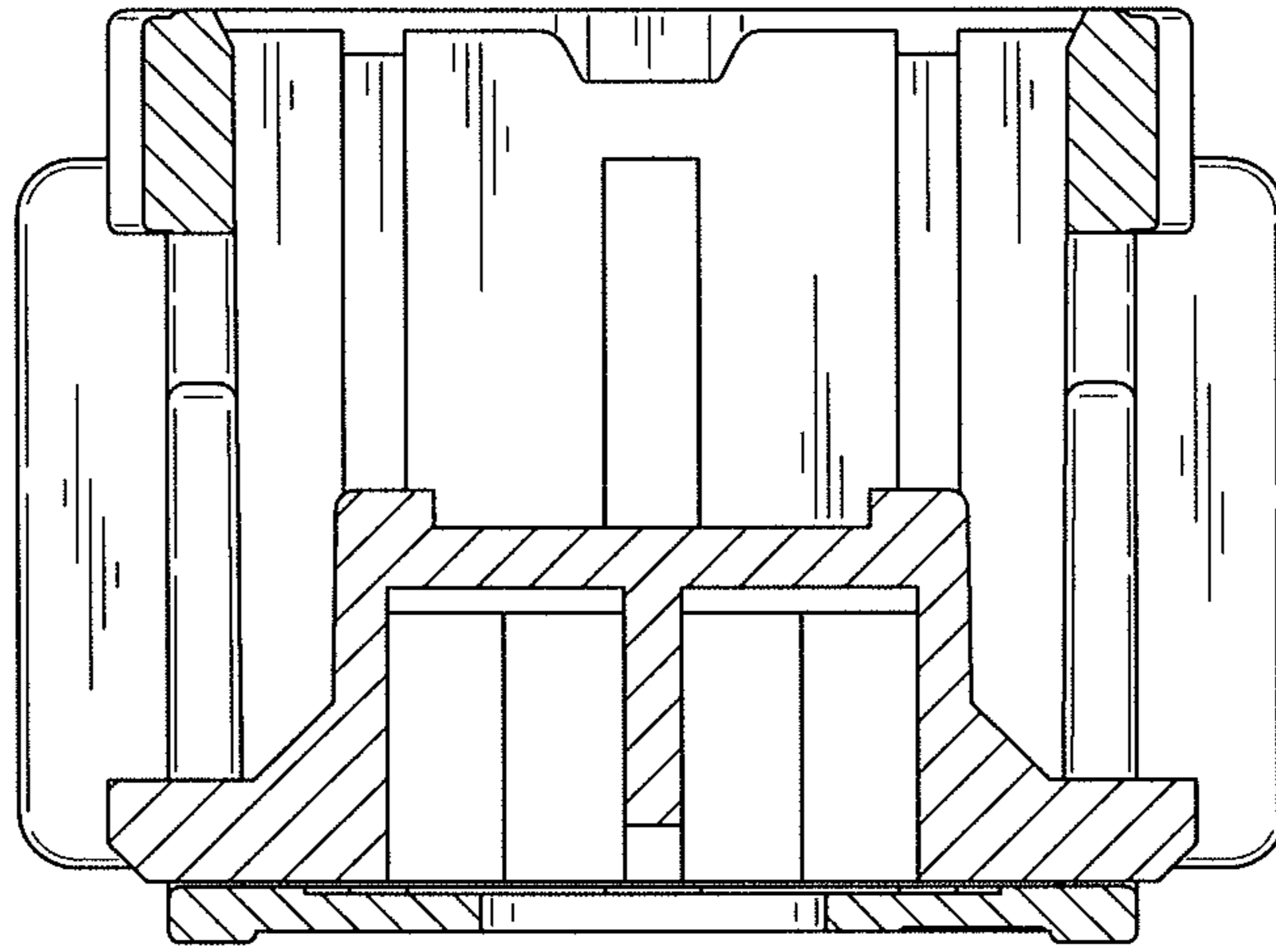


FIG. 9

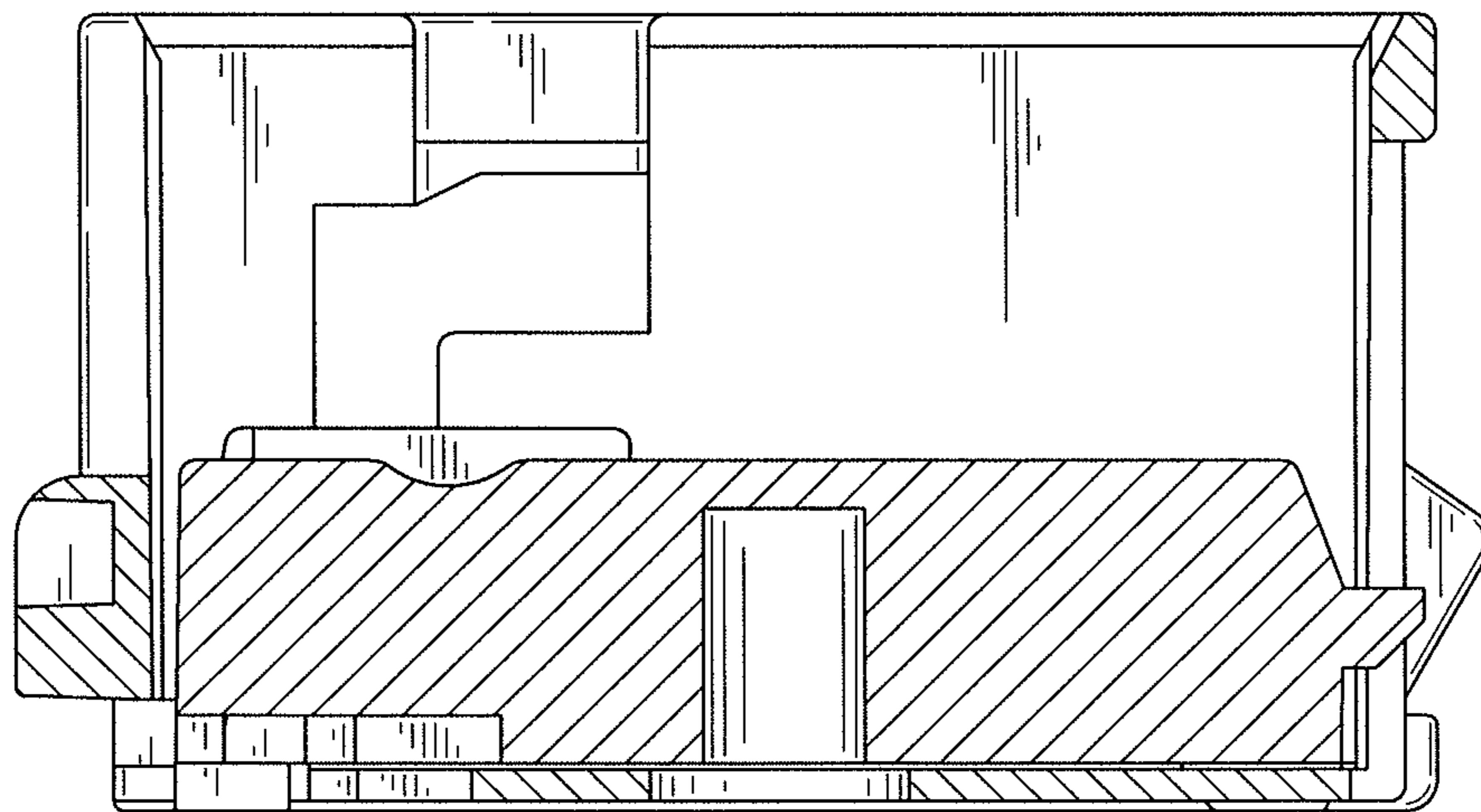
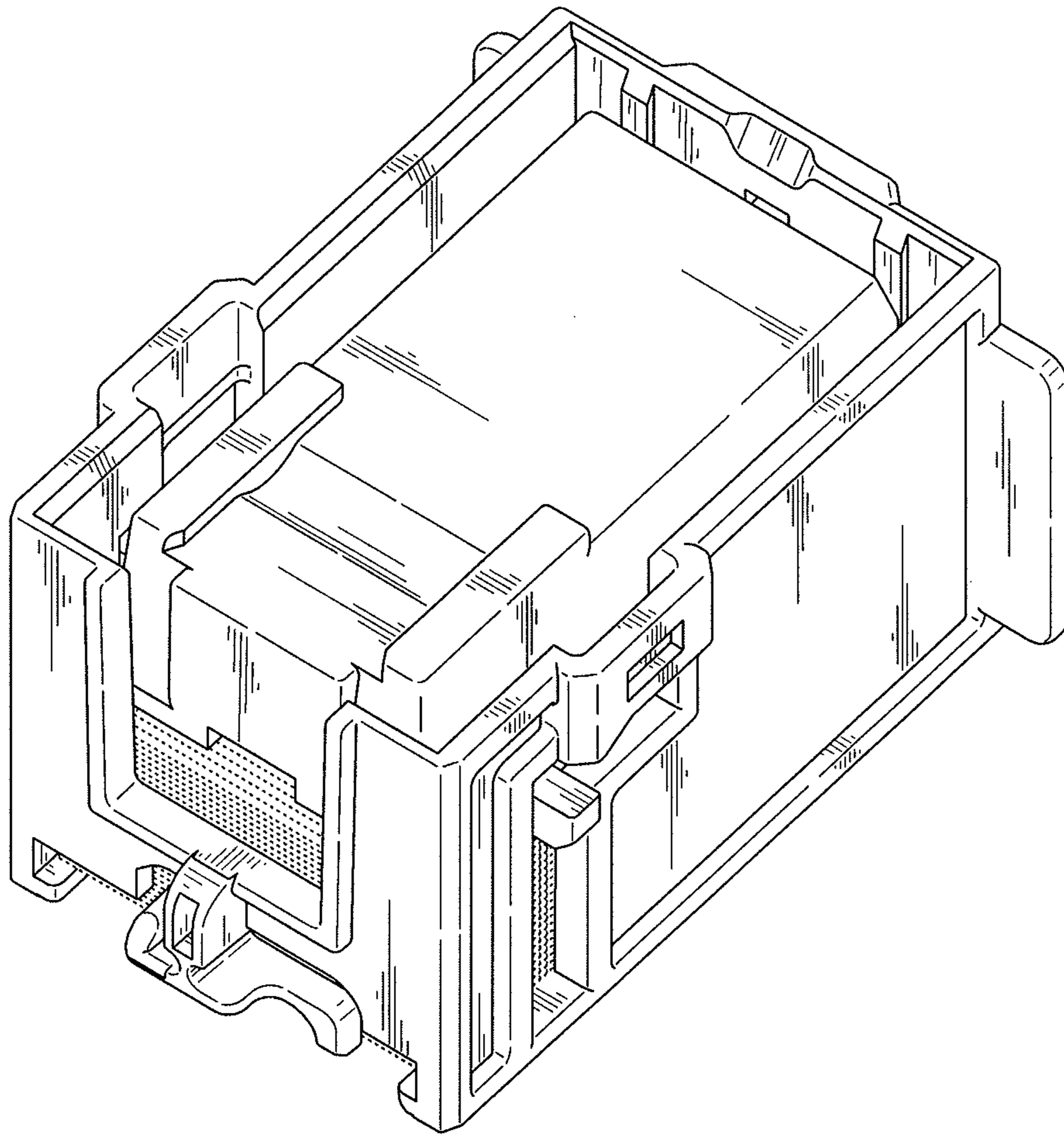


FIG. 10



*FIG. 11*