



US00D694600S

(12) **United States Design Patent**
Bussard et al.

(10) **Patent No.:** **US D694,600 S**
(45) **Date of Patent:** **** Dec. 3, 2013**

- (54) **CLEAN OUT WRENCH**
- (71) Applicant: **Camco Manufacturing, Inc.**,
Greensboro, NC (US)
- (72) Inventors: **John R Bussard**, Kernersville, NC (US);
Jeffrey R Russell, Winston-Salem, NC
(US)
- (73) Assignee: **Camco Manufacturing Inc.**,
Greensboro, NC (US)
- (**) Term: **14 Years**
- (21) Appl. No.: **29/442,663**
- (22) Filed: **Apr. 11, 2013**
- (51) **LOC (9) Cl.** **08-05**
- (52) **U.S. Cl.**
USPC **D8/28**
- (58) **Field of Classification Search**
USPC D8/17, 18, 21-29, 40; 81/60, 177.1,
81/177.85, 121.1, 124.3, 165-170, 110.1,
81/176.2, 124.6, 176.1, 176.15, 177.2,
81/186, 125, 119, 180.1, 185.02;
16/110.1; D15/144.1; 219/75, 227,
219/229, 121.16, 121.18
See application file for complete search history.

- D387,640 S * 12/1997 Von Fange D8/28
- D388,295 S * 12/1997 Kim D8/22
- D393,578 S * 4/1998 Keddie
- D431,982 S * 10/2000 Nyberg D8/21
- 6,276,240 B1 * 8/2001 Blacklock 81/119
- 6,318,216 B1 * 11/2001 Eggert et al. 81/61
- D461,107 S * 8/2002 Pitt D8/17
- D496,370 S * 9/2004 Gildred D14/486
- D517,382 S * 3/2006 Phillips, Jr. D8/21
- D519,342 S * 4/2006 Hartman et al. D8/28

OTHER PUBLICATIONS

- Ref. No. 1, Craftsman Cap Wrench Bottle Opener, from the Sears website (www.sears.com), Mar. 28, 2012, 1 Page.
- Ref. No. 2, Motion Pro 50mm WP Dual Chamber Fork Cap Wrench, from the ebay website (www.ebay.com), Mar. 28, 2012, 1 Page.
- Ref. No. 3, Steering Stem & Front Cap Wrench, from the ebay website (www.ebay.com), Mar. 28, 2012, 1 Page.
- Ref. No. 4, Pasco Cleanout Plug Wrench, from the Amazon website (www.amazon.com), Mar. 28, 2012, 1 Page.

* cited by examiner

Primary Examiner — Randall Gholson

(57) **CLAIM**
The ornamental design for a clean out wrench, as shown and described.

DESCRIPTION

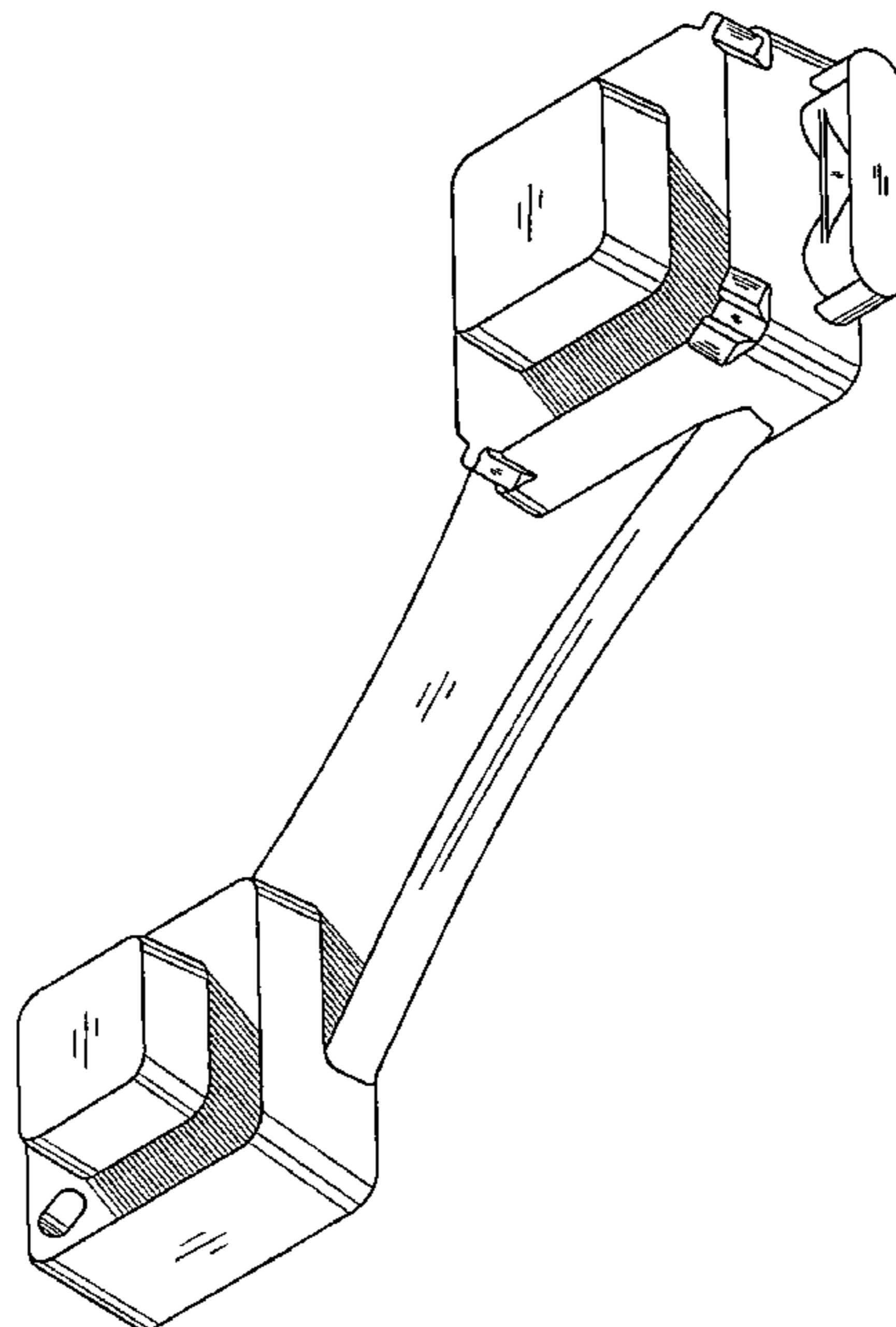
FIG. 1 is a front, bottom, right perspective view of a clean out wrench according to the invention;
FIG. 2 is a back, top, left perspective view thereof;
FIG. 3 is a front elevational view thereof;
FIG. 4 is a back elevational view thereof;
FIG. 5 is a left elevational view thereof; and,
FIG. 6 is a right elevational view thereof.

1 Claim, 5 Drawing Sheets

(56) **References Cited**

U.S. PATENT DOCUMENTS

- D27,824 S * 11/1897 Trahern D8/28
- 3,745,860 A * 7/1973 Bennett
- D344,437 S * 2/1994 Cleland et al. D8/21
- D347,370 S * 5/1994 Runevitch D8/21
- 5,544,379 A * 8/1996 Chen



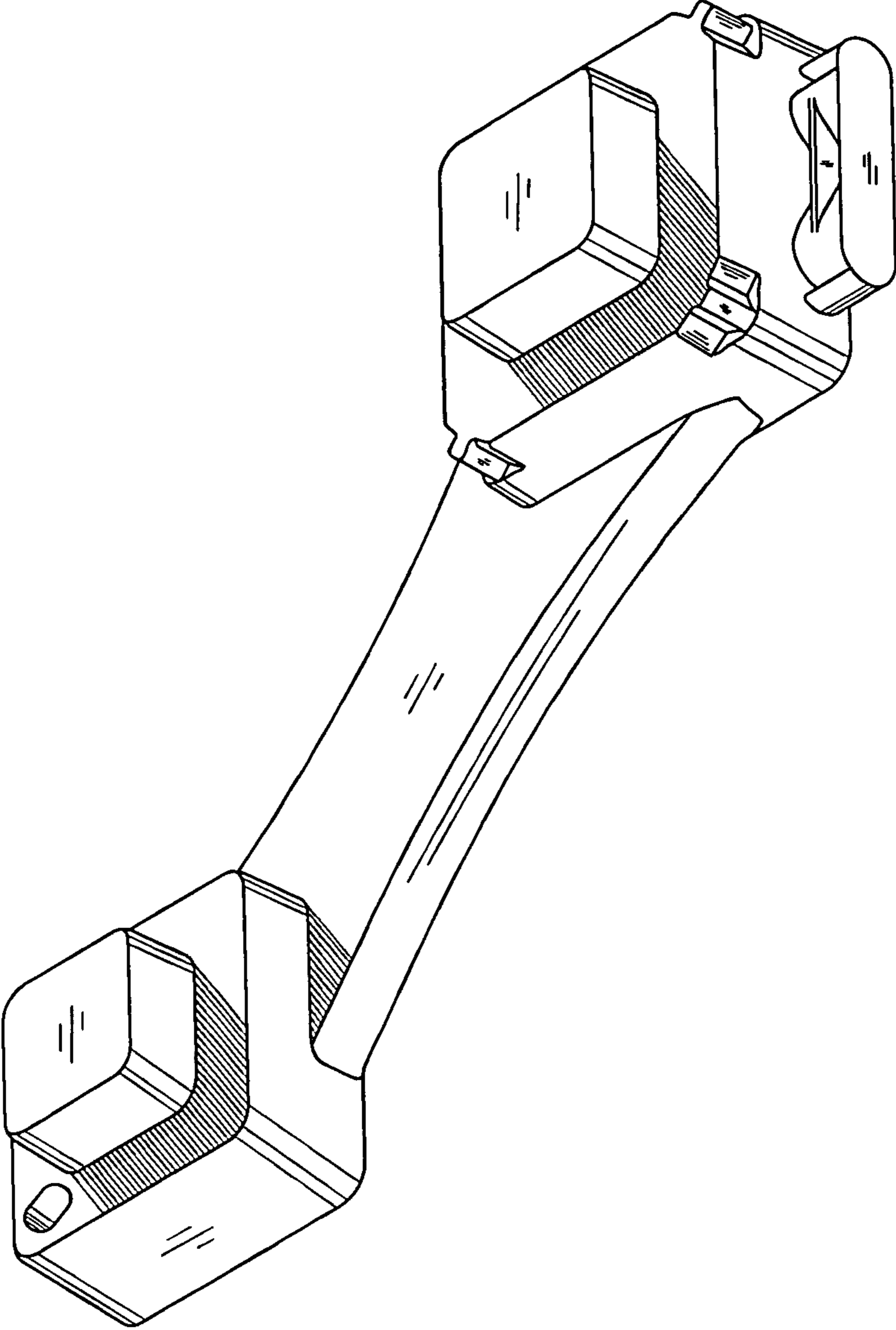


Fig. 1

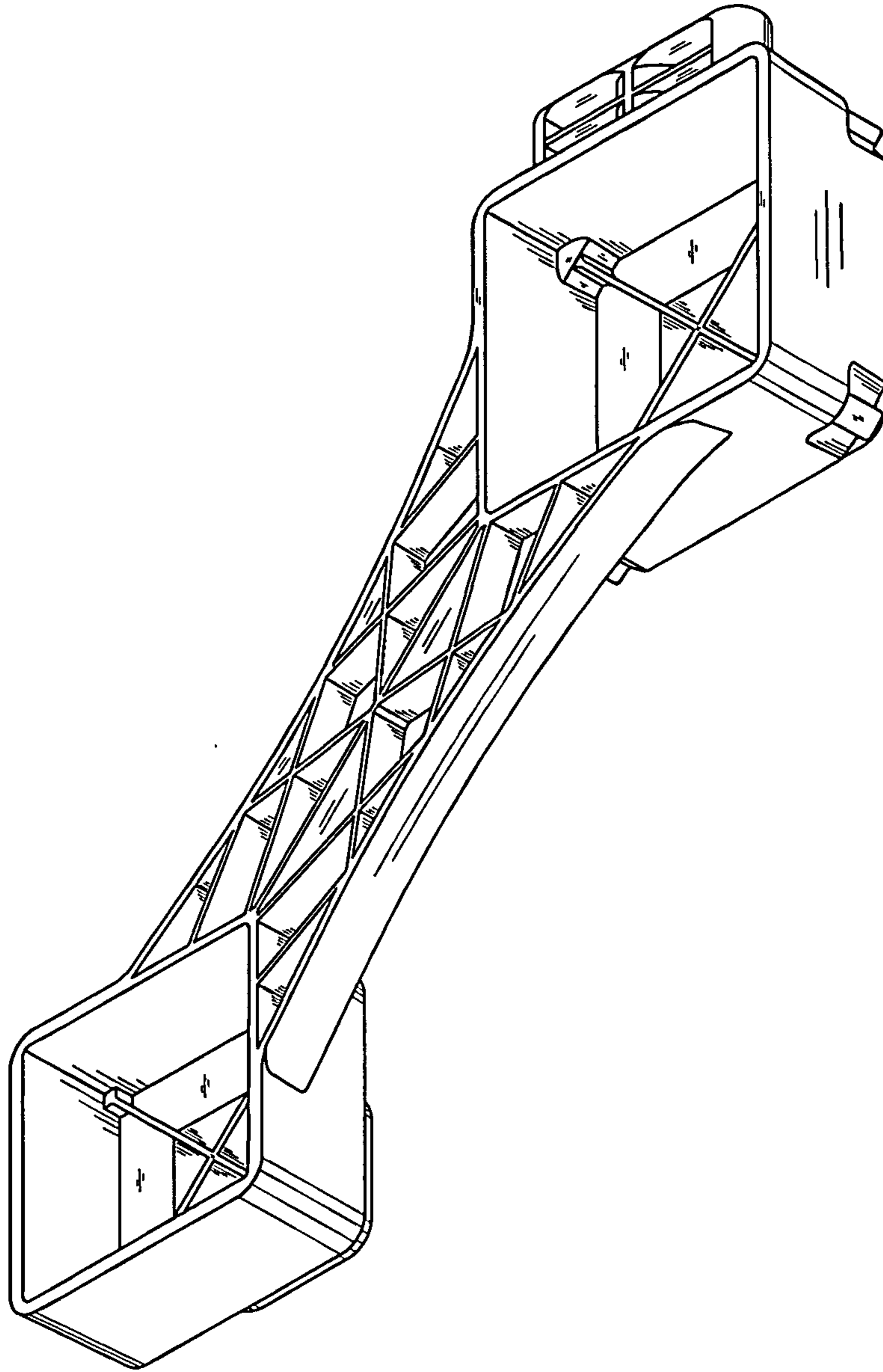


Fig. 2

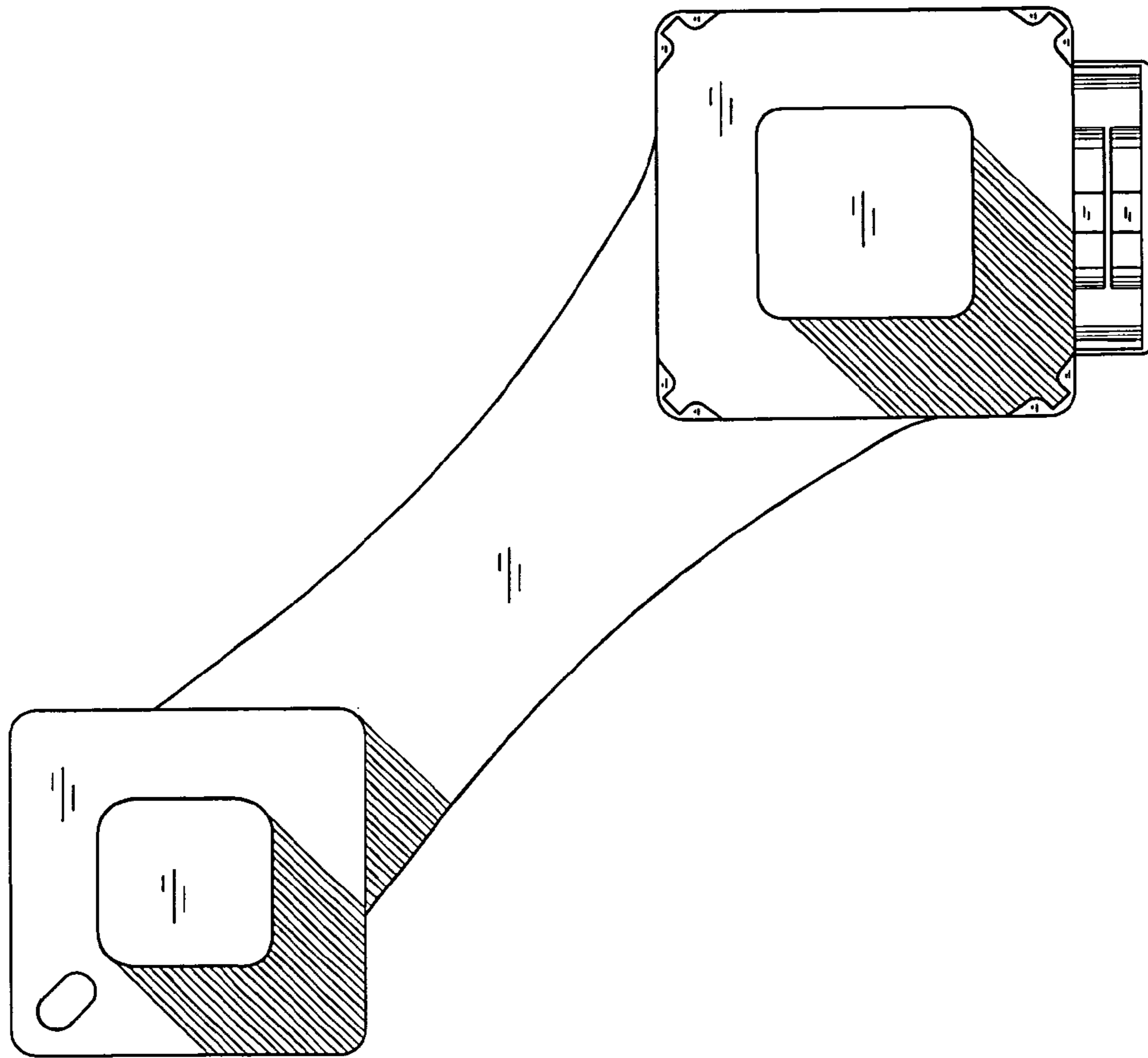


Fig. 3

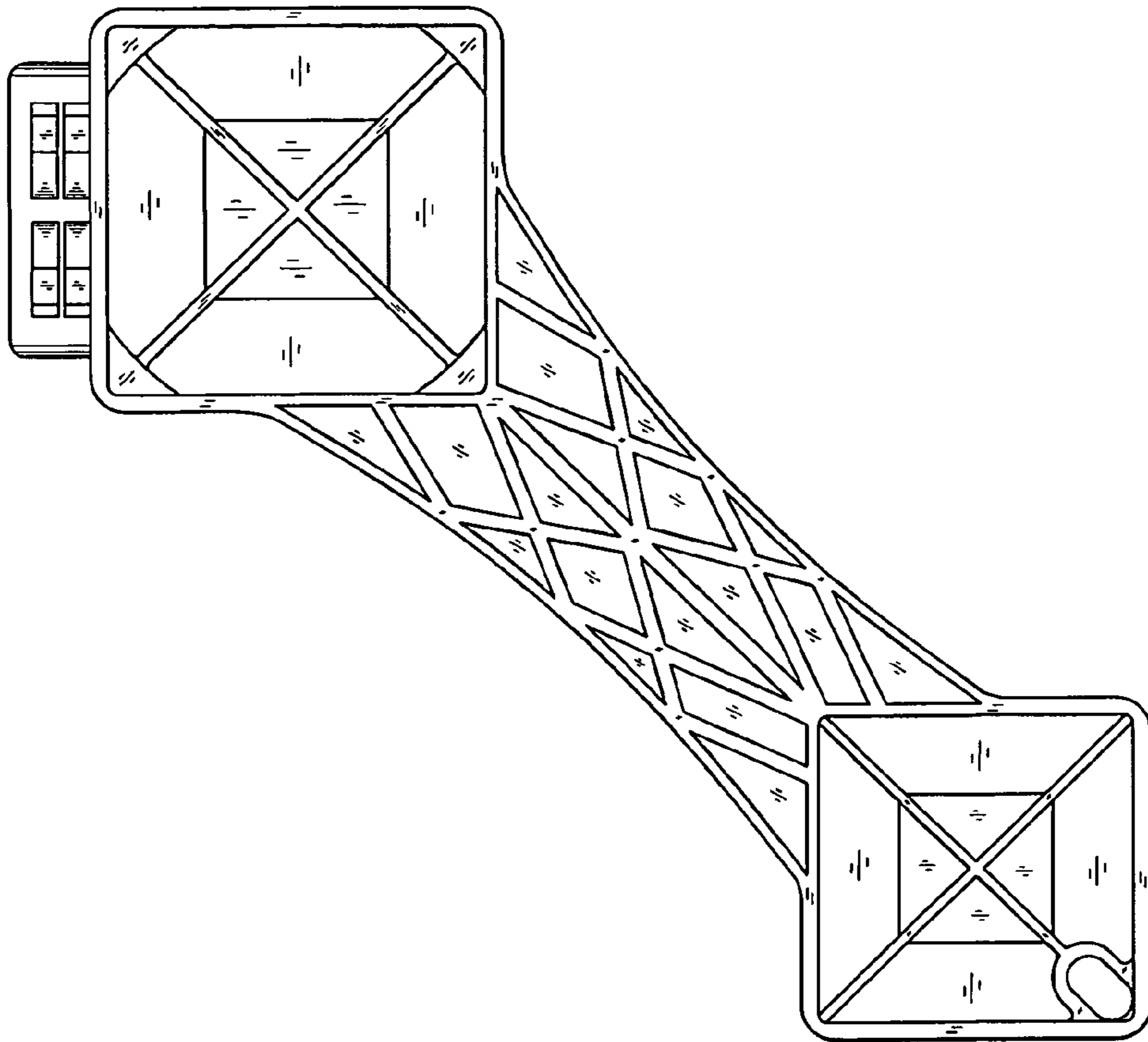


Fig. 4

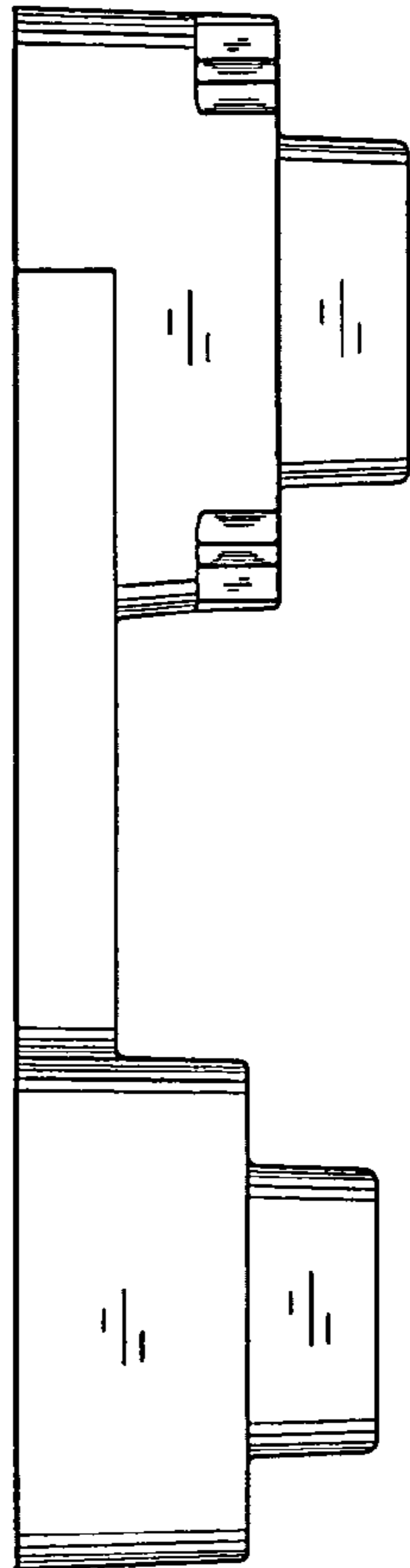


Fig. 5

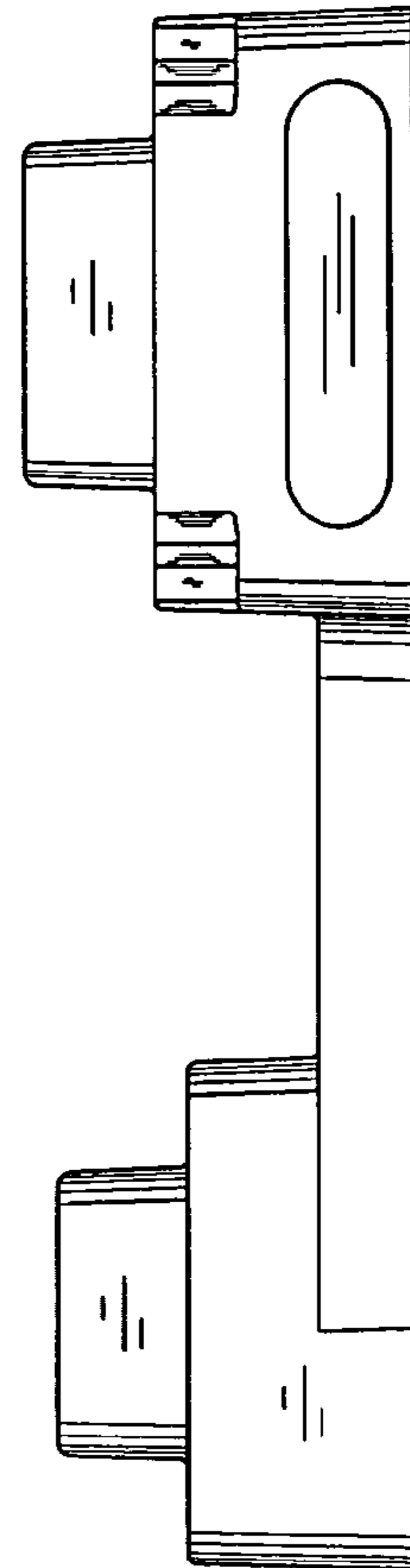


Fig. 6