



US00D694589S

(12) **United States Design Patent**
Duvigneau

(10) **Patent No.:** **US D694,589 S**

(45) **Date of Patent:** **** Dec. 3, 2013**

(54) **CONTAINER WITH LID**

D9/424-432; 220/780-806, 669-673,
220/675, 574-575, 4.21, 4.24, 326, 236

(75) **Inventor:** **Nikolai Duvigneau, Zichron Yaacov (IL)**

See application file for complete search history.

(73) **Assignee:** **Curver Luxembourg SARL,**
Neidercorn (LU)

(56) **References Cited**

(**) **Term:** **14 Years**

U.S. PATENT DOCUMENTS

(21) **Appl. No.:** **29/399,150**

5,441,164	A	*	8/1995	Beck et al.	220/575
D445,650	S	*	7/2001	Maxwell et al.	D7/629
D488,031	S	*	4/2004	Kim	D7/629
D493,073	S	*	7/2004	Kim	D7/629
6,793,096	B1	*	9/2004	Seok	220/788
D506,106	S	*	6/2005	Ordiway et al.	D7/629
D523,296	S	*	6/2006	Kim	D7/629

(22) **Filed:** **Aug. 10, 2011**

(30) **Foreign Application Priority Data**

(Continued)

Feb. 11, 2011	(EM)	1259949
Feb. 11, 2011	(EM)	1259949-0007
Feb. 11, 2011	(EM)	1259949-0008
Feb. 11, 2011	(EM)	1259949-0009
Feb. 11, 2011	(EM)	1259949-00010
Feb. 11, 2011	(EM)	1259949-00011
Feb. 11, 2011	(EM)	1259949-00012
Feb. 11, 2011	(EM)	1259949-00013
Feb. 11, 2011	(EM)	1259949-00014
Feb. 11, 2011	(EM)	1259949-00015
Feb. 11, 2011	(EM)	1259949-00016
Feb. 11, 2011	(EM)	1259949-00017
Feb. 11, 2011	(EM)	1259949-00018
Feb. 11, 2011	(EM)	1259949-00019
Feb. 11, 2011	(EM)	1259949-00020
Feb. 11, 2011	(EM)	1259949-00021
Feb. 11, 2011	(EM)	1259949-00022
Feb. 11, 2011	(EM)	1259949-00023
Feb. 11, 2011	(EM)	1259949-00024
Feb. 11, 2011	(EM)	1259949-00025
Feb. 11, 2011	(EM)	1259949-00026

Primary Examiner — Terry Wallace

(74) *Attorney, Agent, or Firm* — Nath, Goldberg & Meyer;
Jerald L. Meyer; Scott Langford

(57) **CLAIM**

The ornamental design for container with lid, as shown and described.

DESCRIPTION

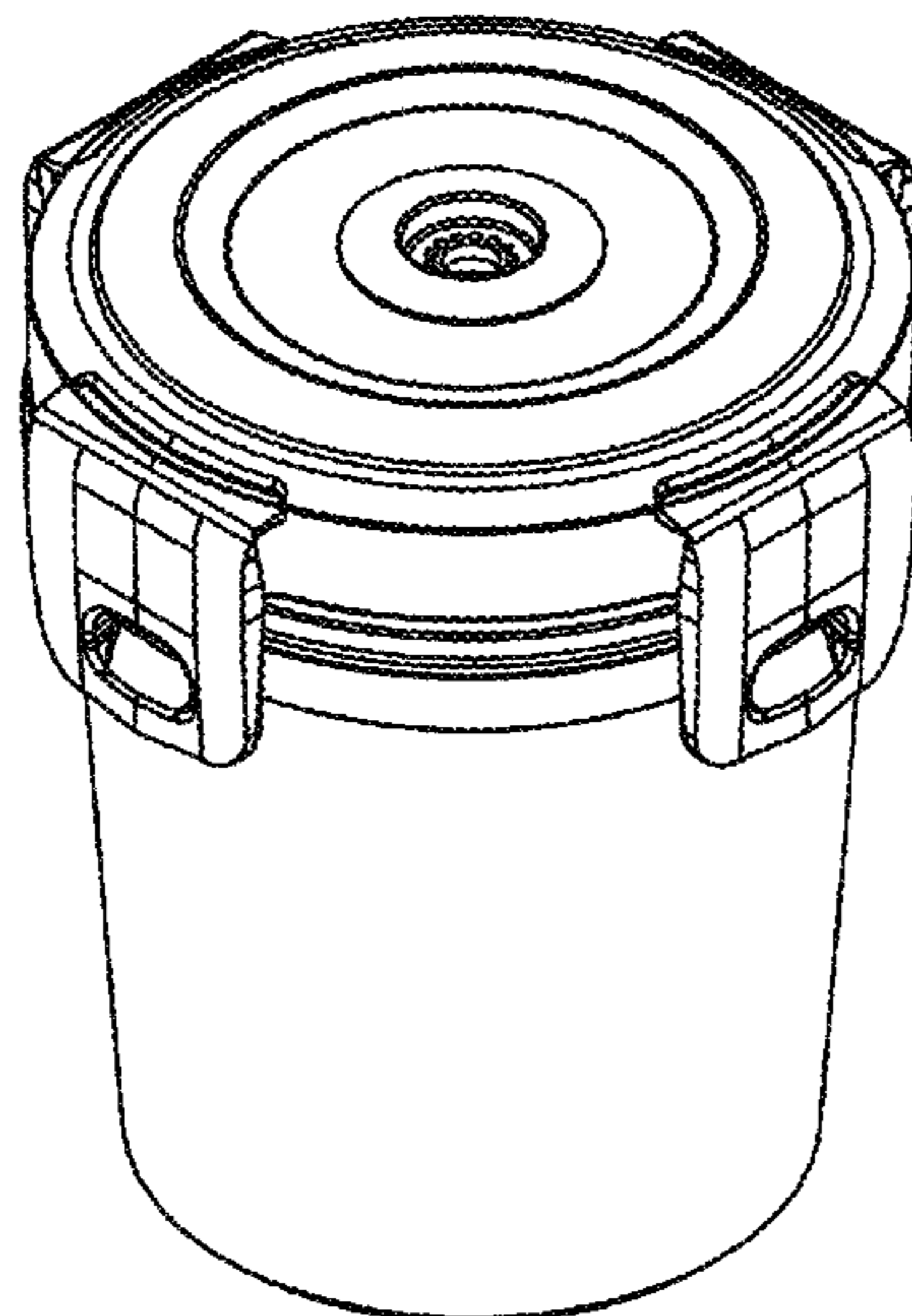
FIG. 1 is a top perspective view of a container with lid;
 FIG. 2 is a right elevational view of the container with lid as seen in FIG. 1, with other elevational views being identical;
 FIG. 3 is a top planar view of the container with lid as seen in FIG. 1;
 FIG. 4 is a top perspective view a second embodiment of a container with lid;
 FIG. 5 is a right elevational view of the container with lid as seen in FIG. 4, with other elevational views being identical; and,
 FIG. 6 is a top planar view of the design for the container with lid as seen in FIG. 4.

(51) **LOC (9) Cl.** **07-07**

(52) **U.S. Cl.**
USPC **D7/629**

(58) **Field of Classification Search**
USPC D7/602, 629, 612-615, 628, 630,
D7/538-542, 391-392, 584, 586, 587;

1 Claim, 6 Drawing Sheets



US D694,589 S

Page 2

(56)

References Cited

U.S. PATENT DOCUMENTS

D562,083 S *	2/2008	Lown et al.	D7/629
D575,115 S *	8/2008	Zimmerman	D7/629
D606,813 S *	12/2009	Kim	D7/629
D631,708 S *	2/2011	Smyers	D7/629
D633,757 S *	3/2011	Smyers	D7/629
D636,641 S *	4/2011	Smyers	D7/629
D647,360 S *	10/2011	Smyers	D7/391
2004/0084464 A1 *	5/2004	Koo	220/784
2005/0006390 A1 *	1/2005	Wang	220/326
2005/0035125 A1 *	2/2005	Bae	220/326

* cited by examiner

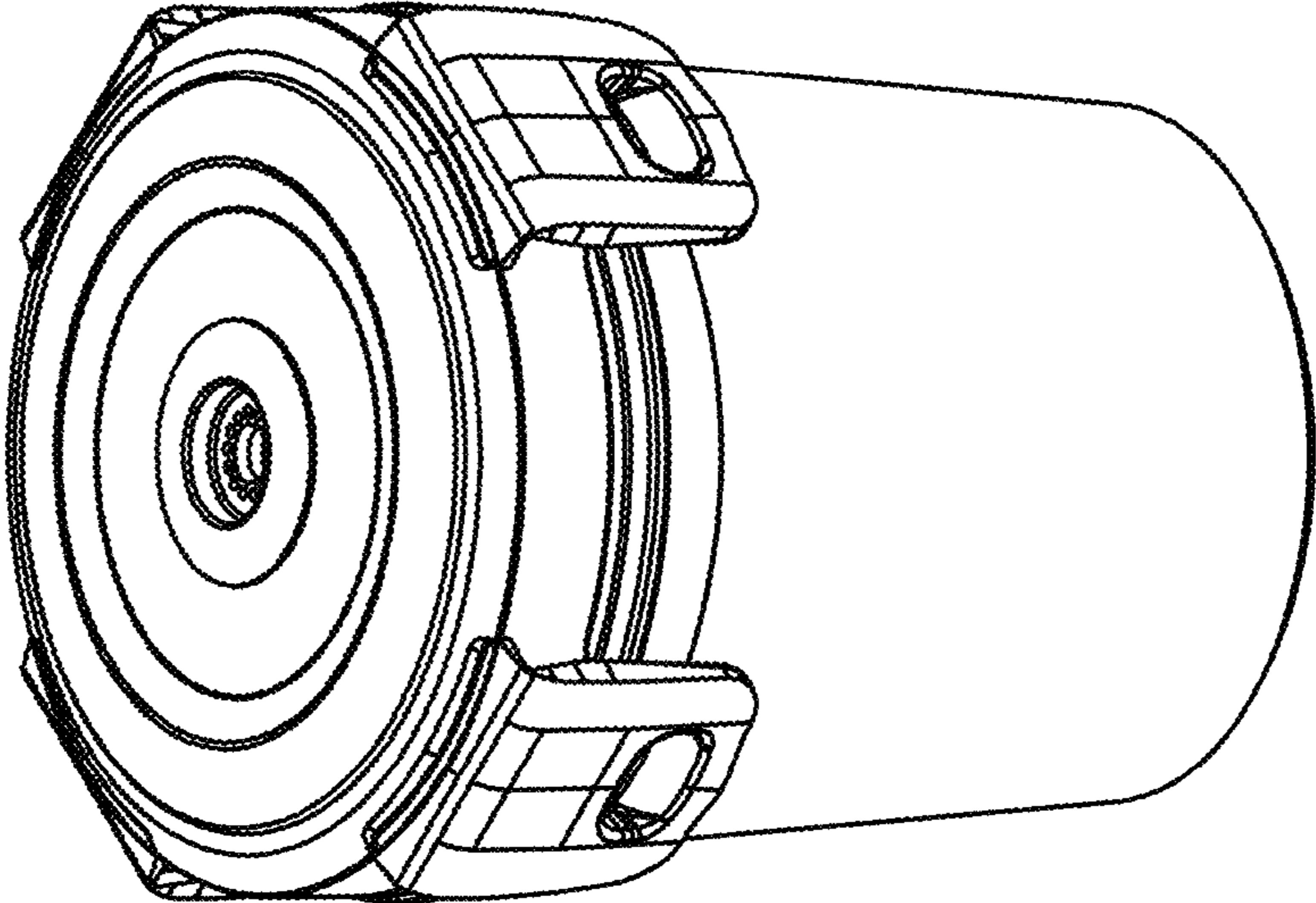


FIG. 1

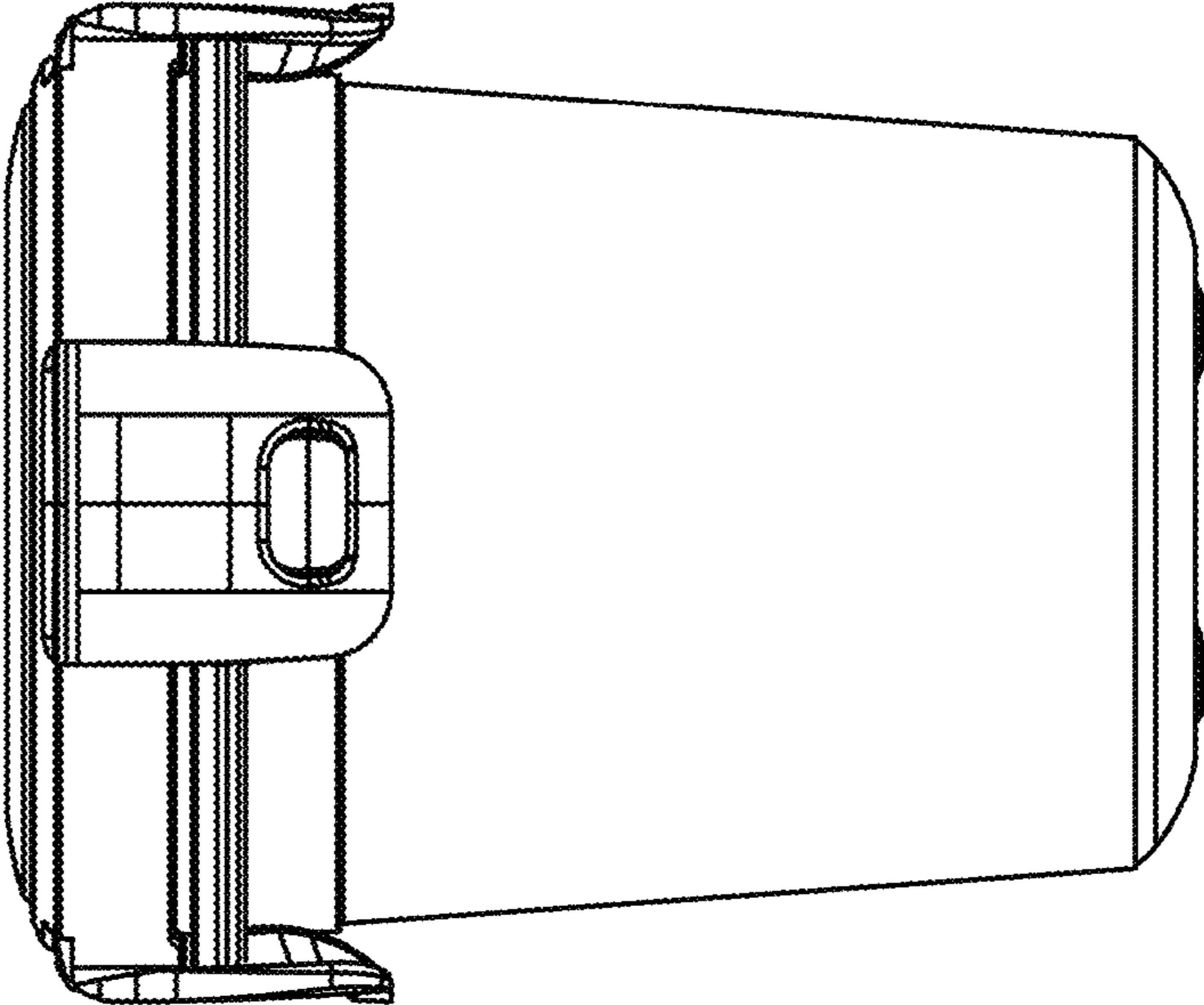


FIG. 2

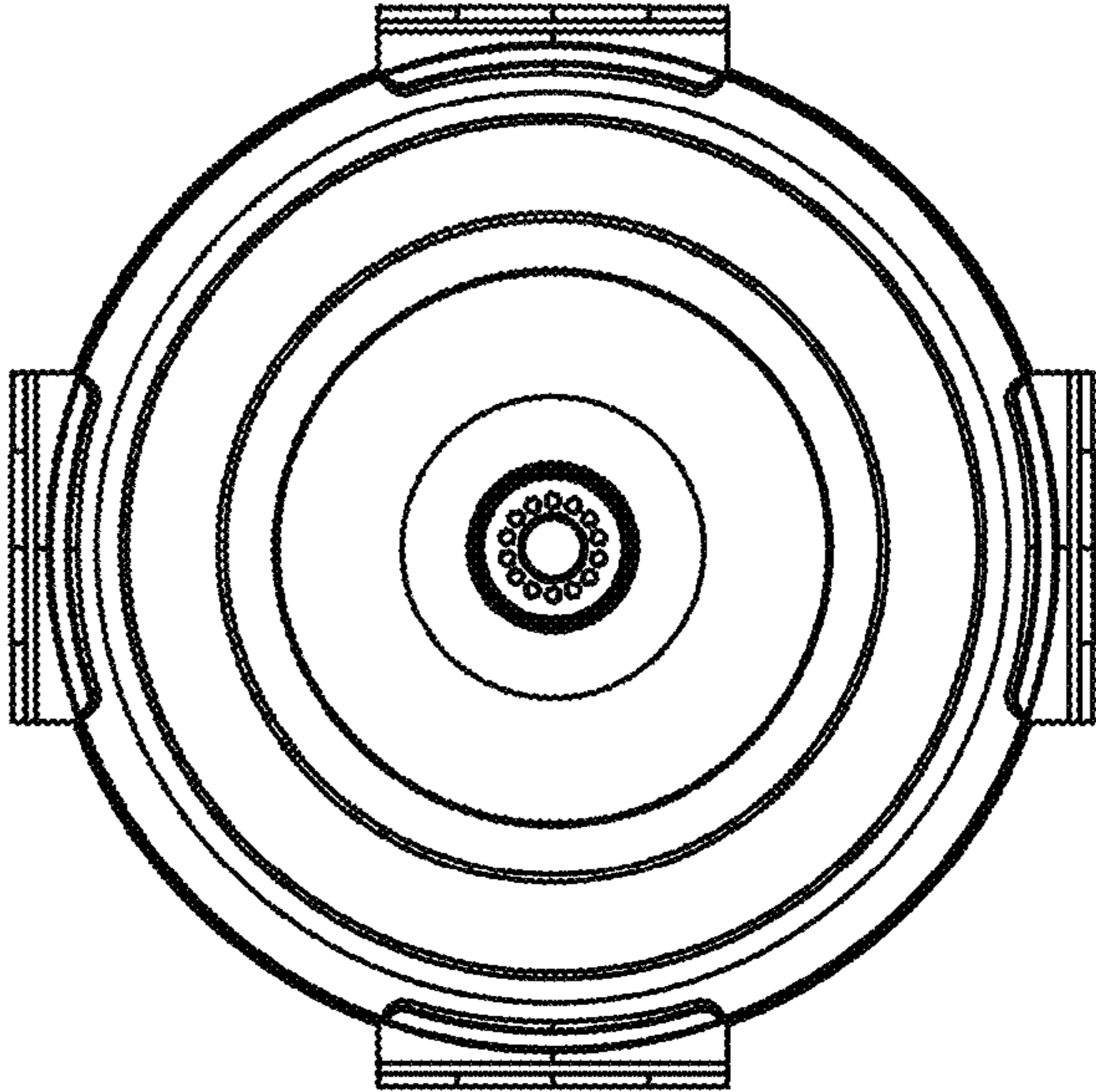


FIG. 3

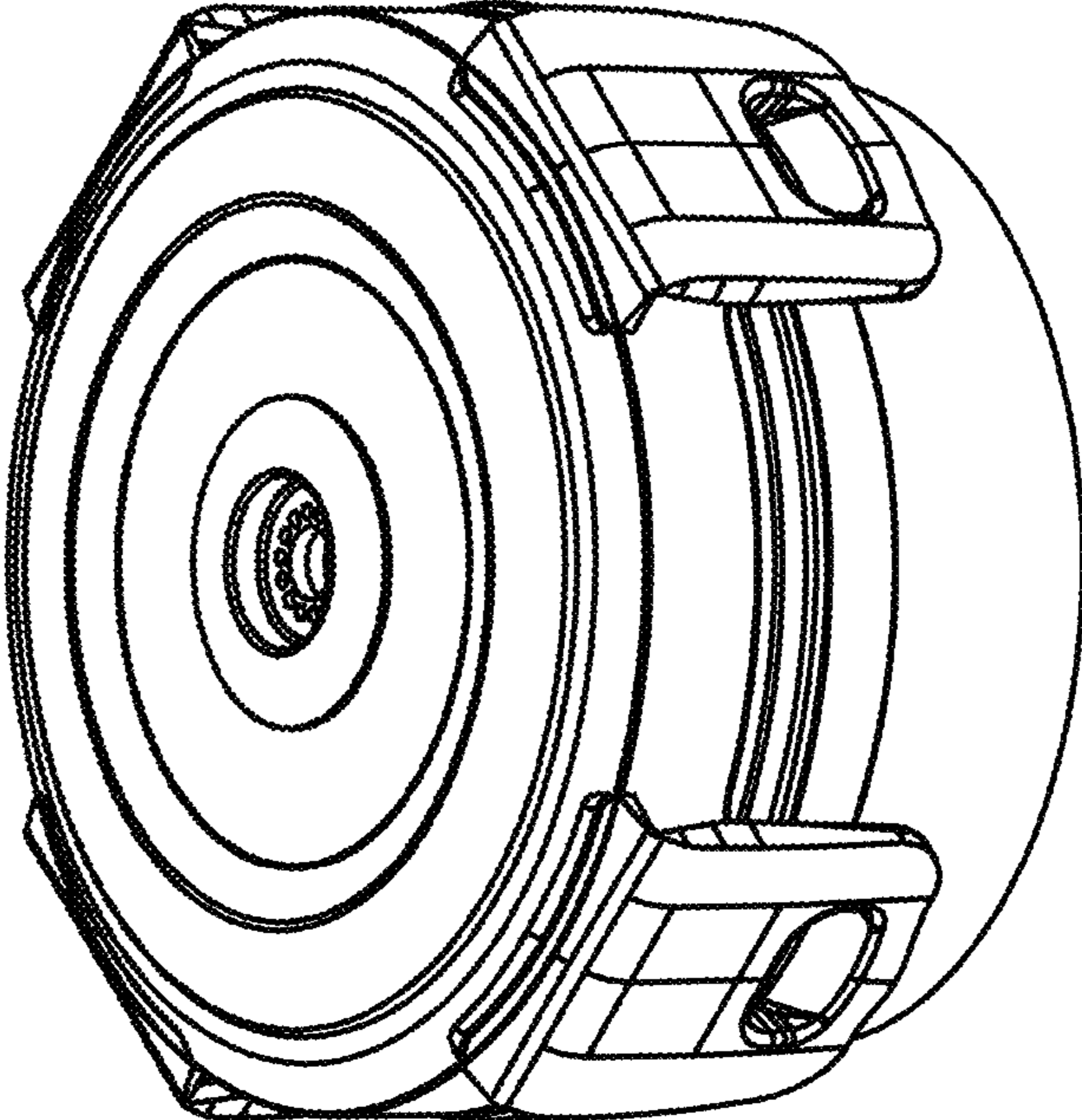


FIG. 4

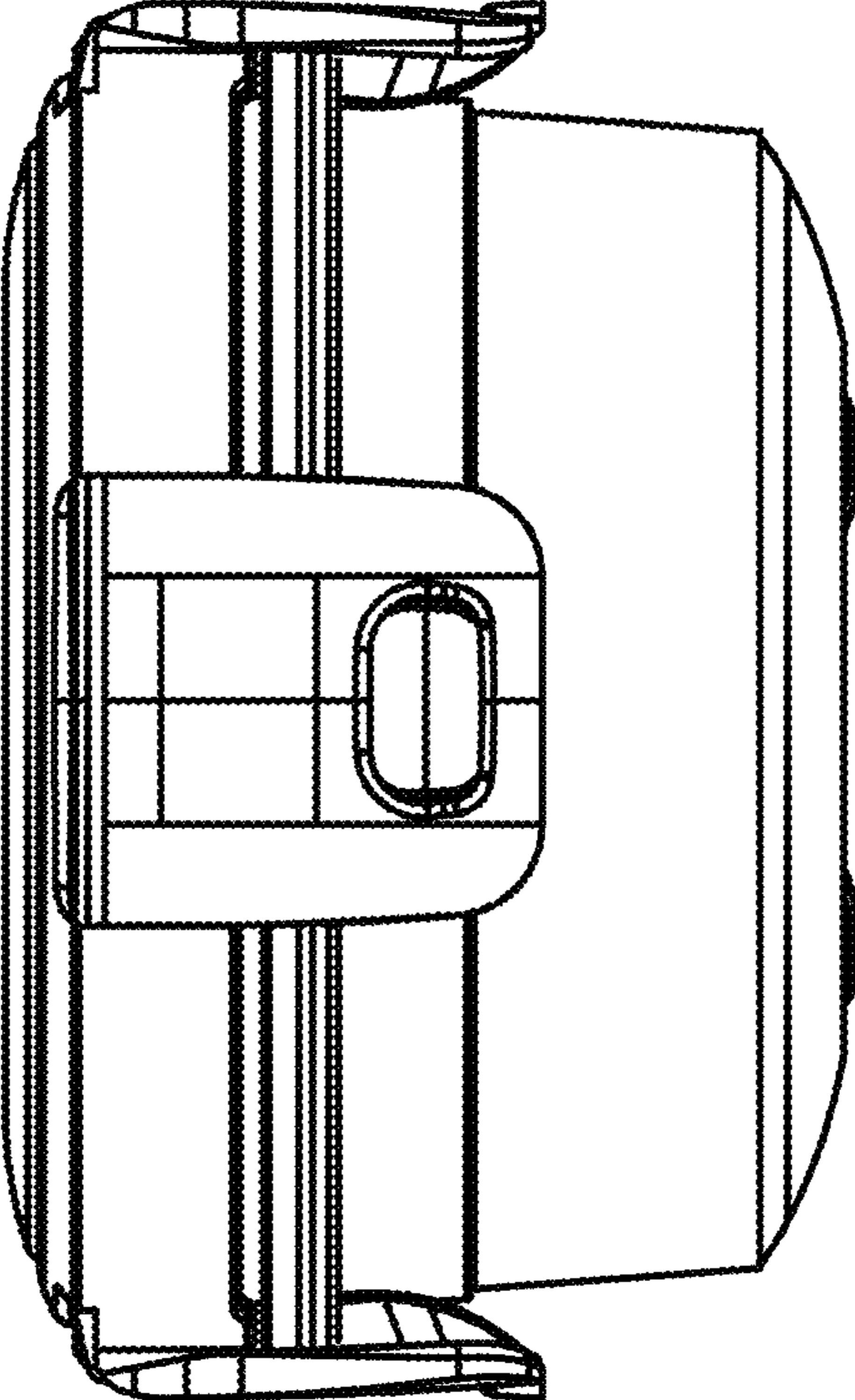


FIG. 5

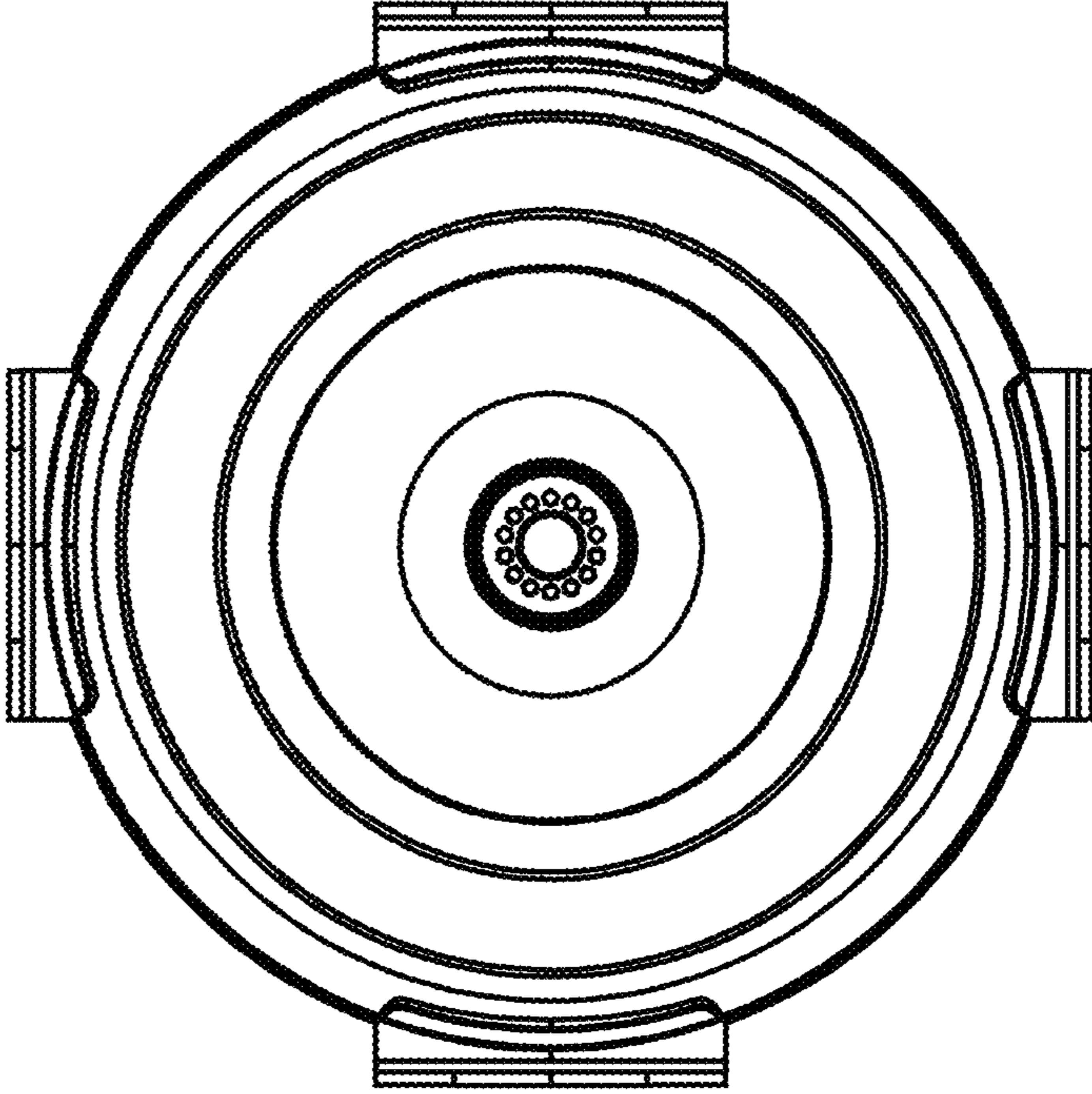


FIG. 6