

US00D694588S

(12) **United States Design Patent**
Tsai

(10) **Patent No.:** **US D694,588 S**

(45) **Date of Patent:** **** Dec. 3, 2013**

(54) **BASKET FOR DRAWER**

(71) Applicant: **Dongguan Master United Plastic & Hardware Products Co., Ltd.,**
Dongguan (CN)

(72) Inventor: **Tsung-Yu Tsai, Changhua (TW)**

(73) Assignee: **Dongguan Master United Plastic & Hardware Products Co., Ltd.,**
Dongguan, Guangdong Province (CN)

(**) Term: **14 Years**

(21) Appl. No.: **29/440,993**

(22) Filed: **Dec. 28, 2012**

(51) **LOC (9) Cl.** **07-06**

(52) **U.S. Cl.**
USPC **D7/600.1**

(58) **Field of Classification Search**
USPC D7/600.1-600.4, 701-708; D3/304,
D3/306; D19/75, 78, 92; D6/705.6, 705,
D6/705.7, 708.16; 211/126.11, 77, 78,
211/126.15, 129.1, 131.1, 133.1, 133.2,
211/133.4, 133.5, 133.6, 69.1-69.9
See application file for complete search history.

(56) **References Cited**

U.S. PATENT DOCUMENTS

921,694 A * 5/1909 Hall 211/126.11
2,799,426 A * 7/1957 Kaye 220/491
2,832,499 A * 4/1958 Maslow 220/488
3,338,466 A * 8/1967 Hare et al. 206/507

D433,711 S * 11/2000 Andujar D19/78
D434,074 S * 11/2000 Hardy D19/75
6,840,593 B2 * 1/2005 Remmers 312/330.1
D507,108 S * 7/2005 Suero, Jr. D3/304
D547,094 S * 7/2007 Klein et al. D6/462
D571,161 S * 6/2008 Snider D7/637
D588,839 S * 3/2009 Klein et al. D6/462
D628,444 S * 12/2010 Snider D7/600.1
2005/0205578 A1 * 9/2005 Yeh 220/485

* cited by examiner

Primary Examiner — Terry Wallace

(74) *Attorney, Agent, or Firm* — Muncy, Geissler, Olds & Lowe, PLLC

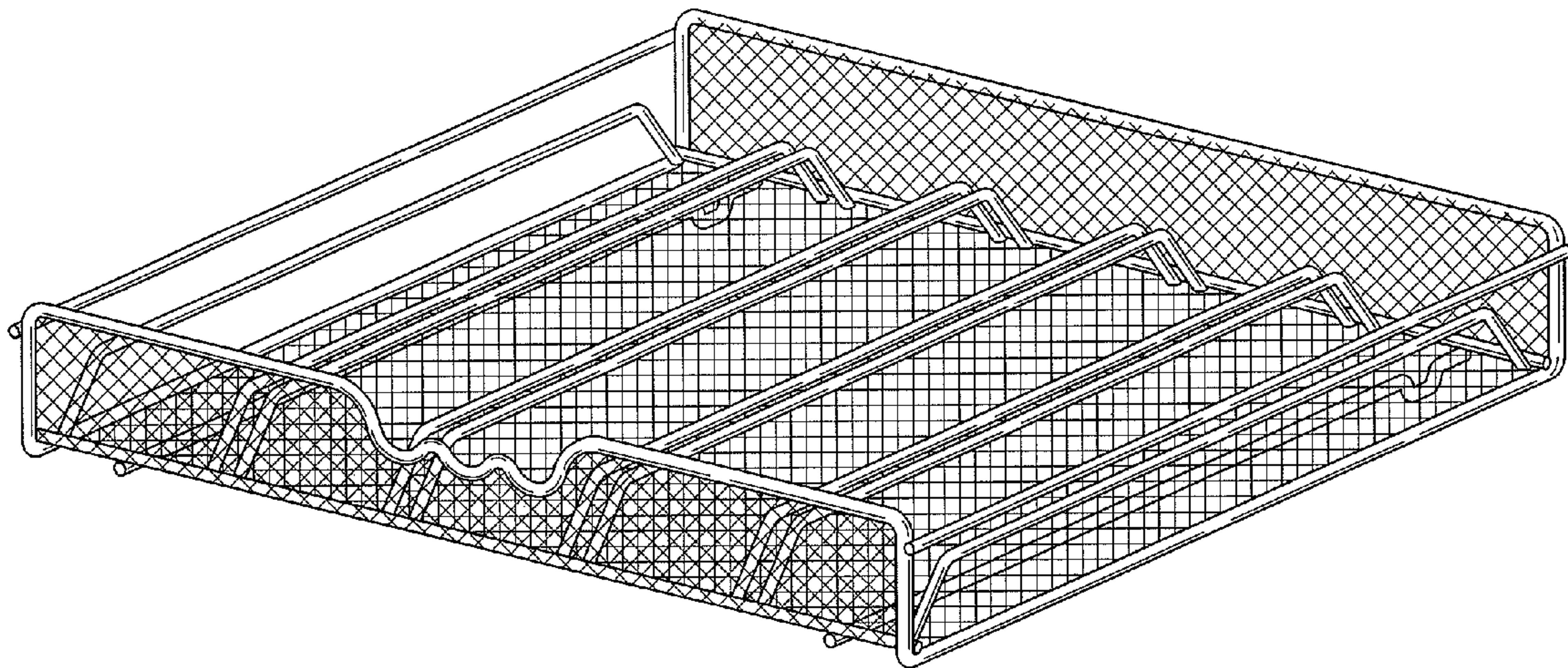
(57) **CLAIM**

The ornamental design for a basket for drawer, as shown and described.

DESCRIPTION

FIG. 1 shows a perspective view of the present design.
FIG. 2 shows a front view of the present design,
FIG. 3 shows a rear view of the present design.
FIG. 4 shows a left side view of the present design
FIG. 5 shows a right side view of the present design.
FIG. 6 shows a top view of the present design.
FIG. 7 shows a bottom view of the present design; and,
FIG. 8 is a schematic drawing showing that the basket of the present design is in use.
The broken lines showing of structural feature is indeed for the purpose of illustrating non-claimed subject matter and forms no part of the claimed design.

1 Claim, 6 Drawing Sheets



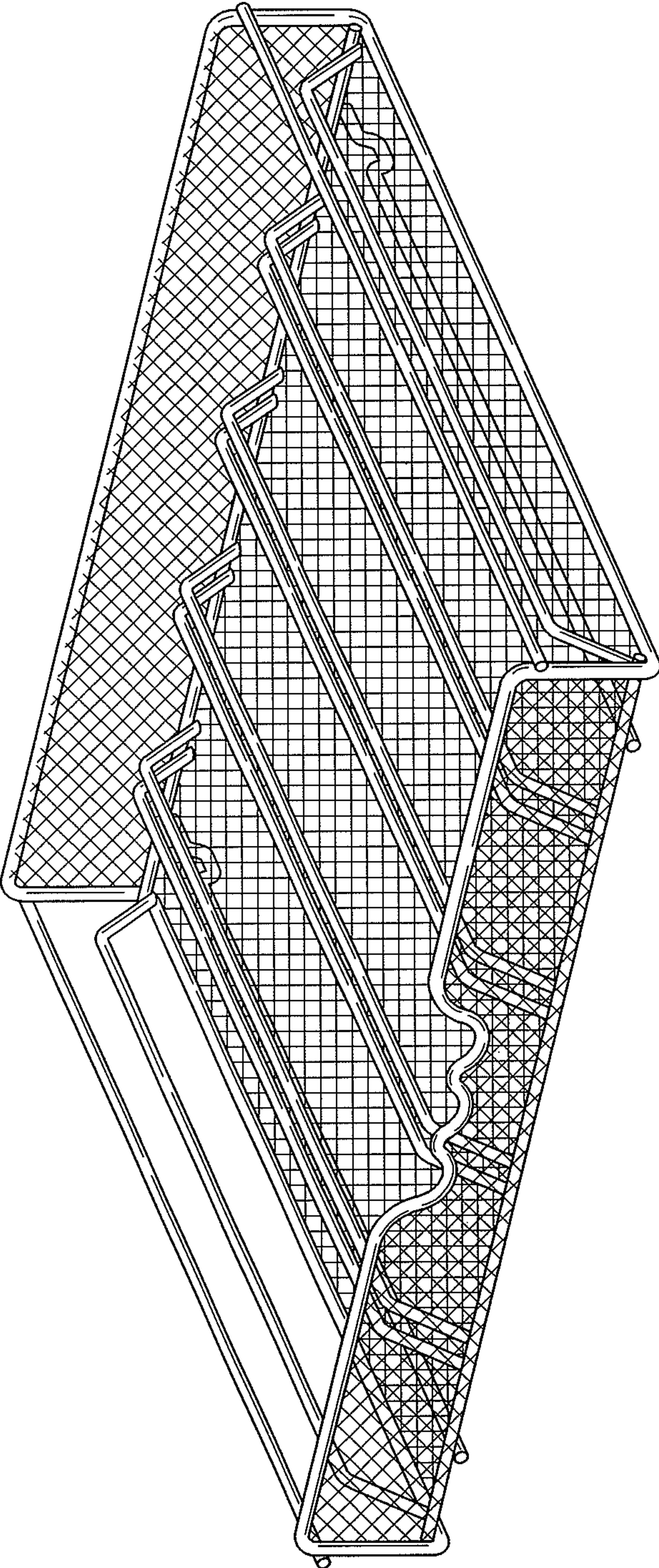


FIG. 1

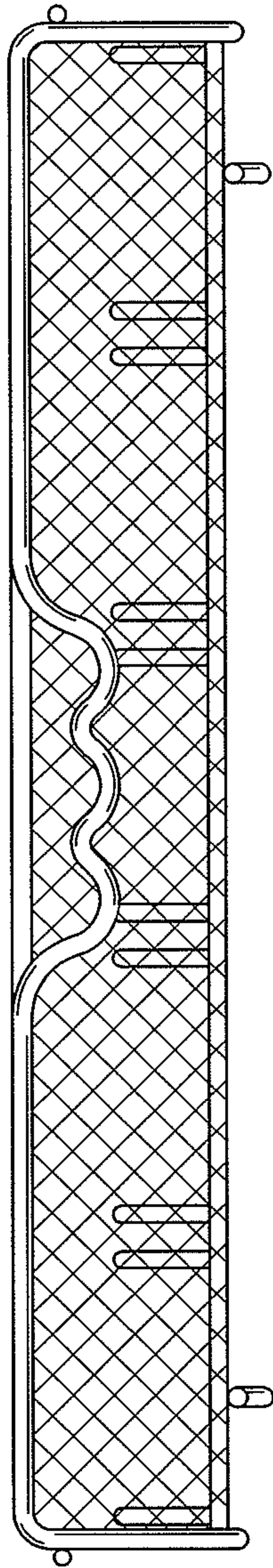


FIG. 2

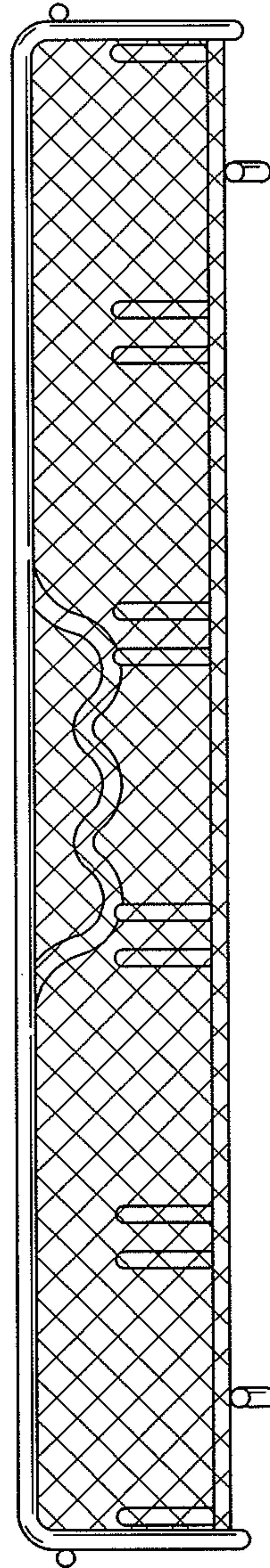


FIG. 3

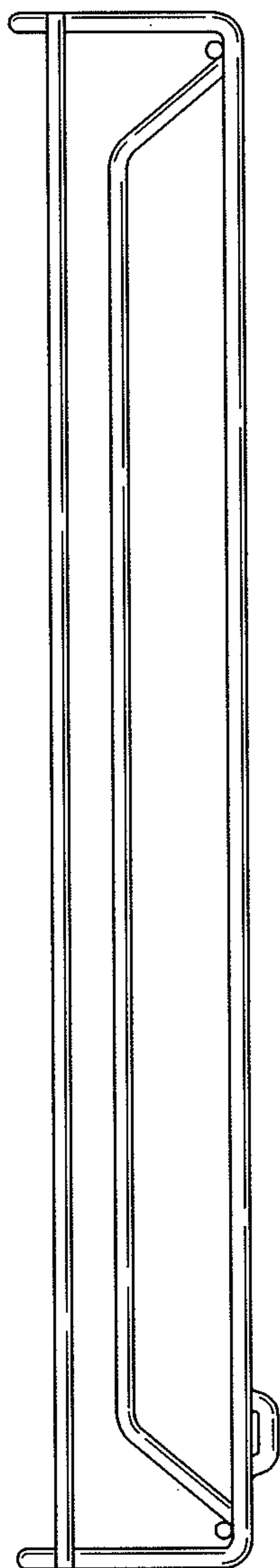


FIG. 4

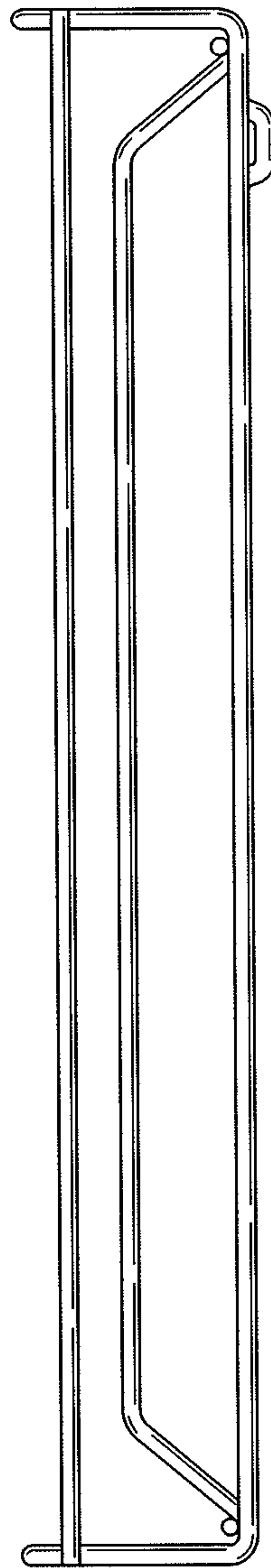


FIG. 5

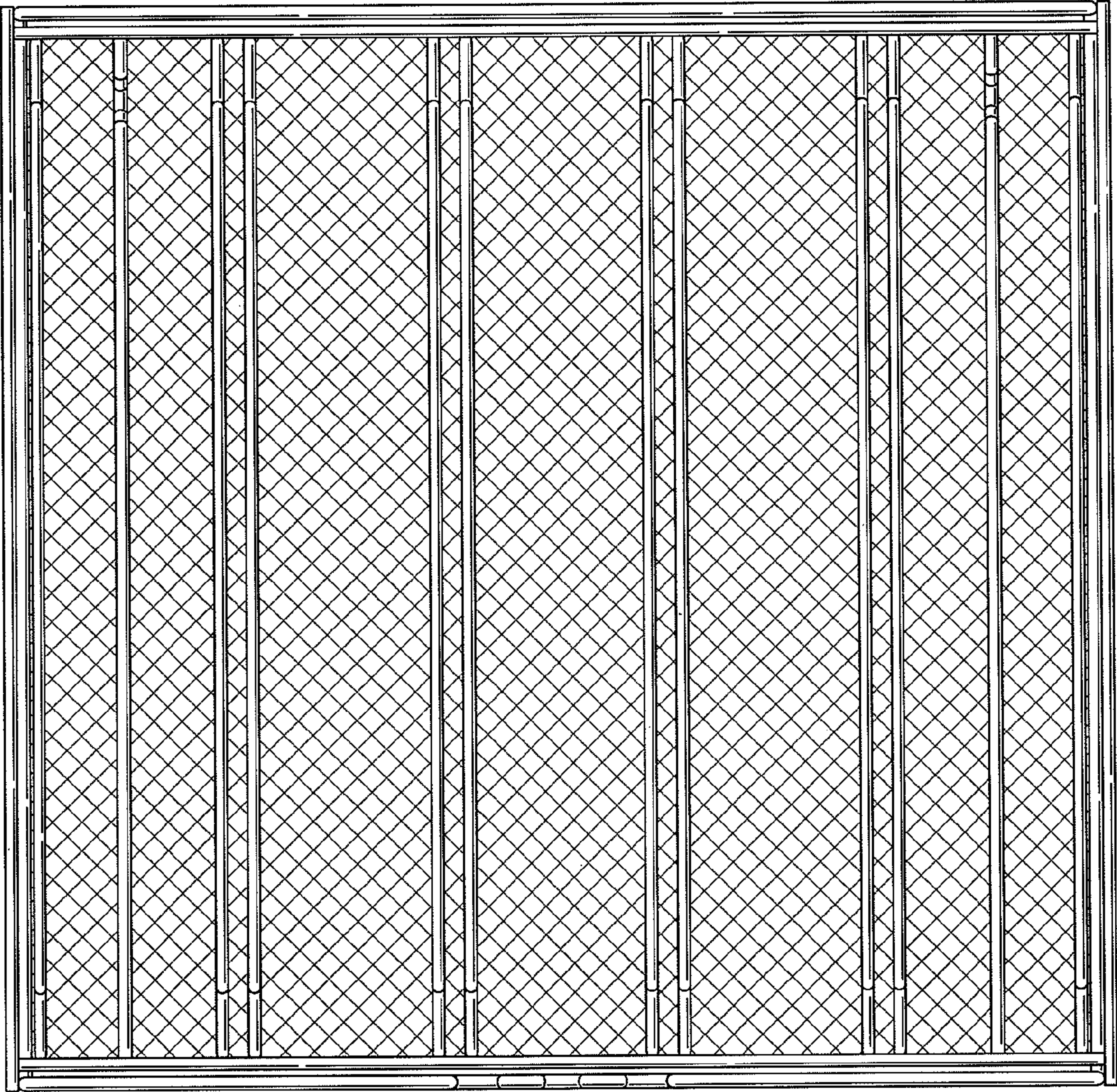


FIG. 6

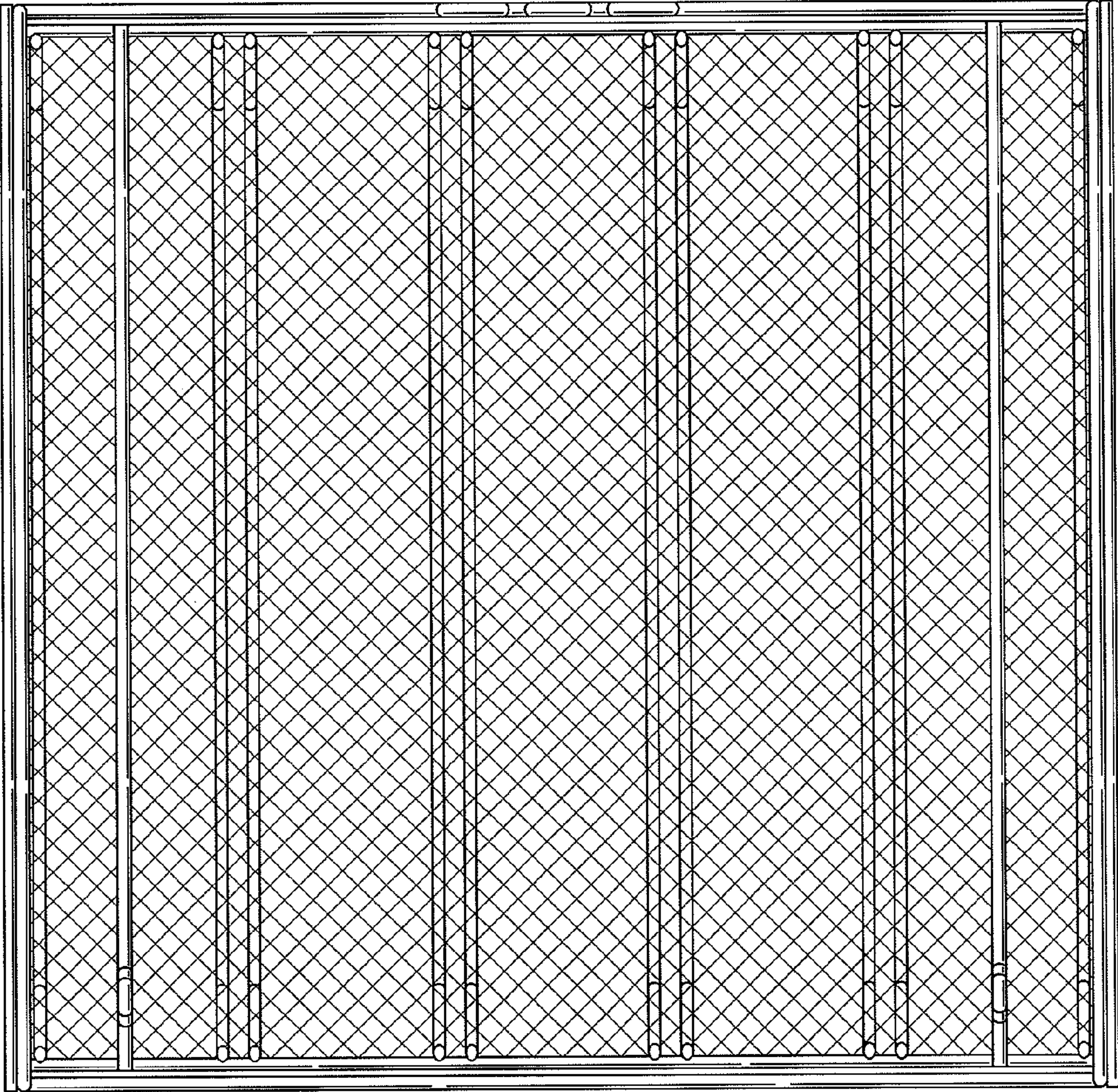


FIG. 7

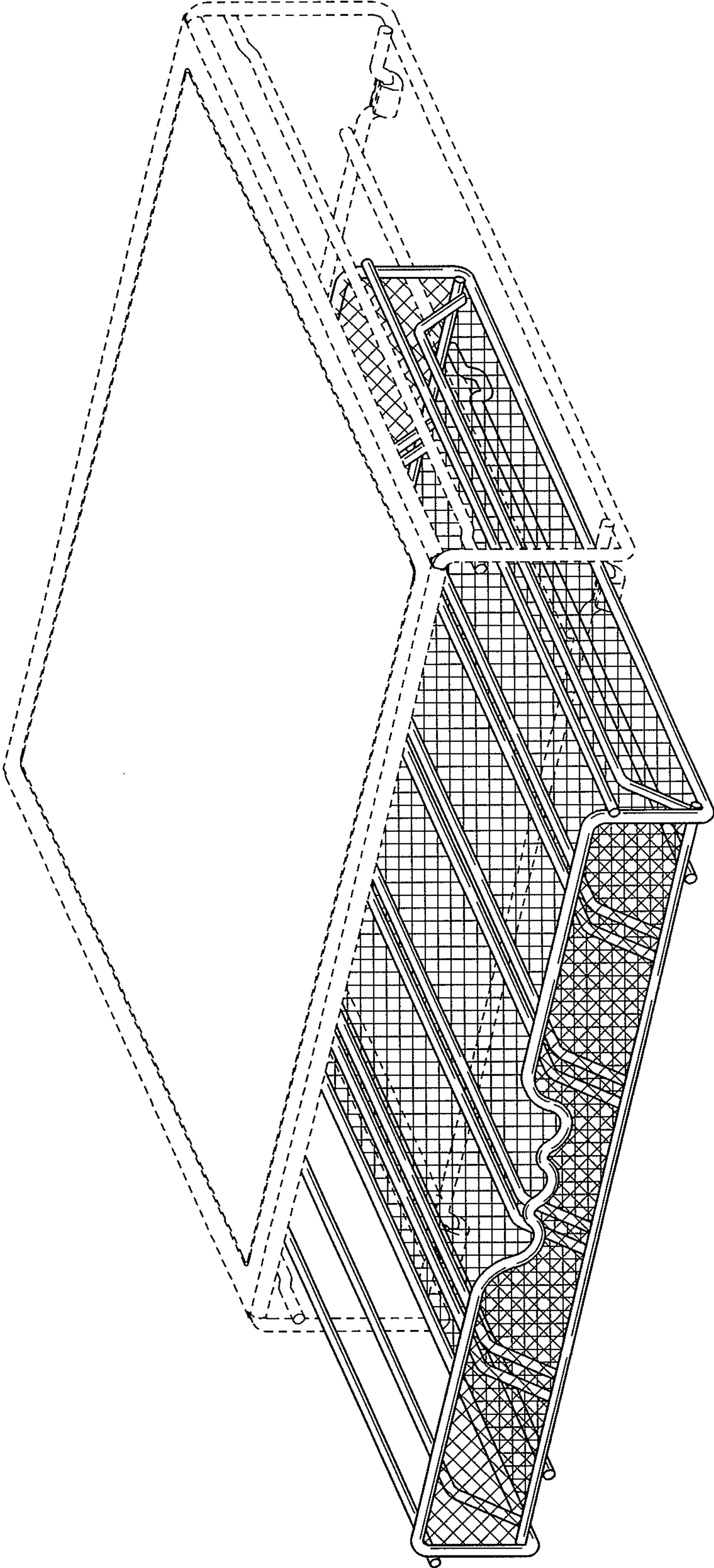


FIG. 8