



(12) **United States Design Patent**
Slocumb et al.

(10) **Patent No.:** **US D694,587 S**
(45) **Date of Patent:** **** Dec. 3, 2013**

(54) **DRESSING HOLDER**

(71) Applicant: **Evrholder Products, LLC**, Anaheim,
CA (US)

(72) Inventors: **Heidi Ann Slocumb**, Fountain Valley,
CA (US); **Huy Kha Nguyen**, Anaheim,
CA (US)

(73) Assignee: **Evrholder Products LLC**, Anaheim,
CA (US)

(**) Term: **14 Years**

(21) Appl. No.: **29/448,124**

(22) Filed: **Mar. 9, 2013**

(51) **LOC (9) Cl.** **07-06**

(52) **U.S. Cl.**
USPC **D7/590; D9/529; D9/565; D9/571;**
D9/449; D9/453

(58) **Field of Classification Search**
USPC **D7/590, 598; D9/529, 565, 571, 522,**
D9/449, 453; 215/669–675, 379, 382–400
See application file for complete search history.

(56) **References Cited**

U.S. PATENT DOCUMENTS

5,141,138	A *	8/1992	Odet et al.	222/153.07
RE41,055	E *	12/2009	Choke-arpornchai et al.	D9/522
D657,258	S *	4/2012	Geeraert et al.	D9/565
D660,172	S *	5/2012	Schmertz et al.	D9/565
D666,916	S *	9/2012	Enciso et al.	D9/541
2006/0186078	A1 *	8/2006	Ziegenhorn	215/237

* cited by examiner

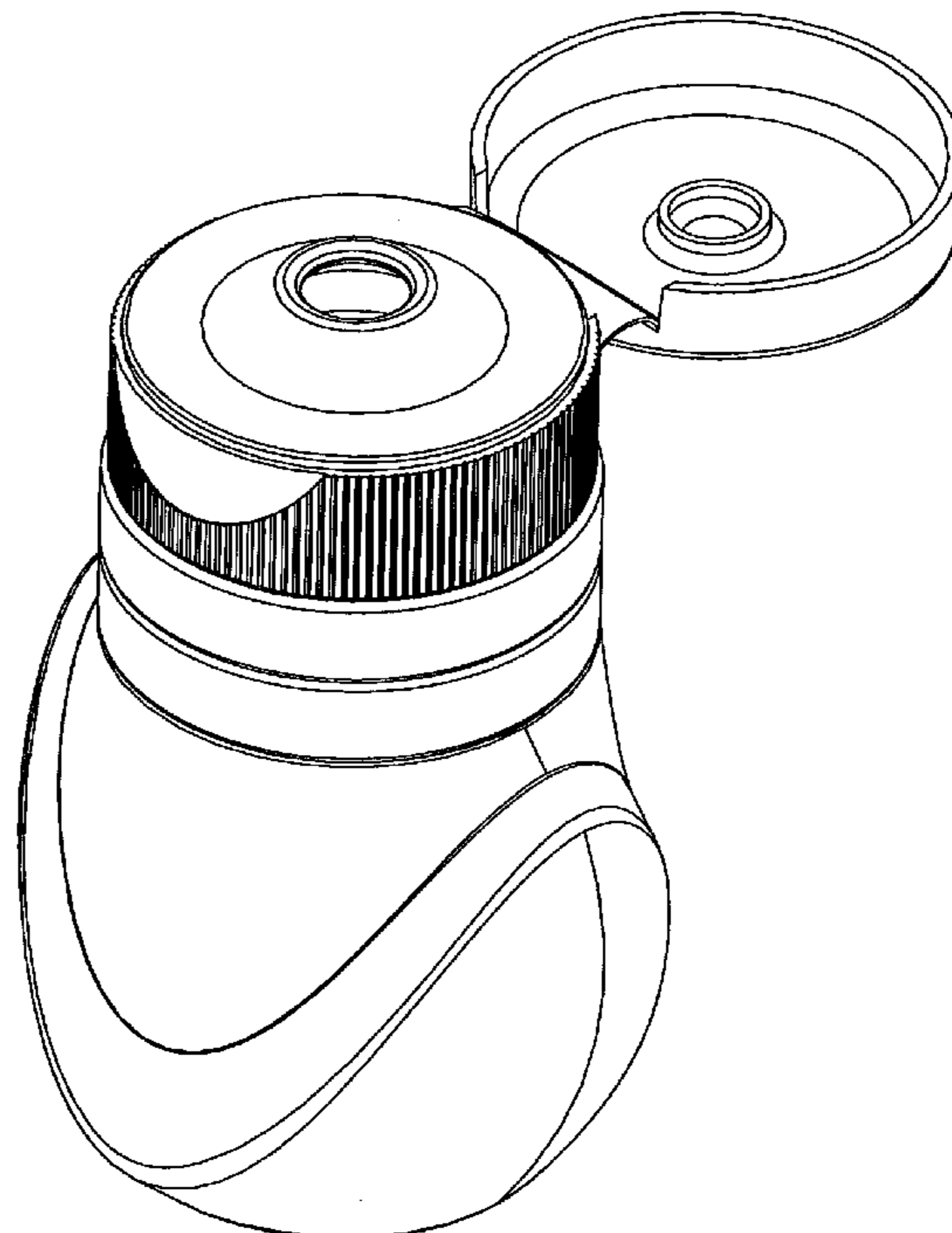
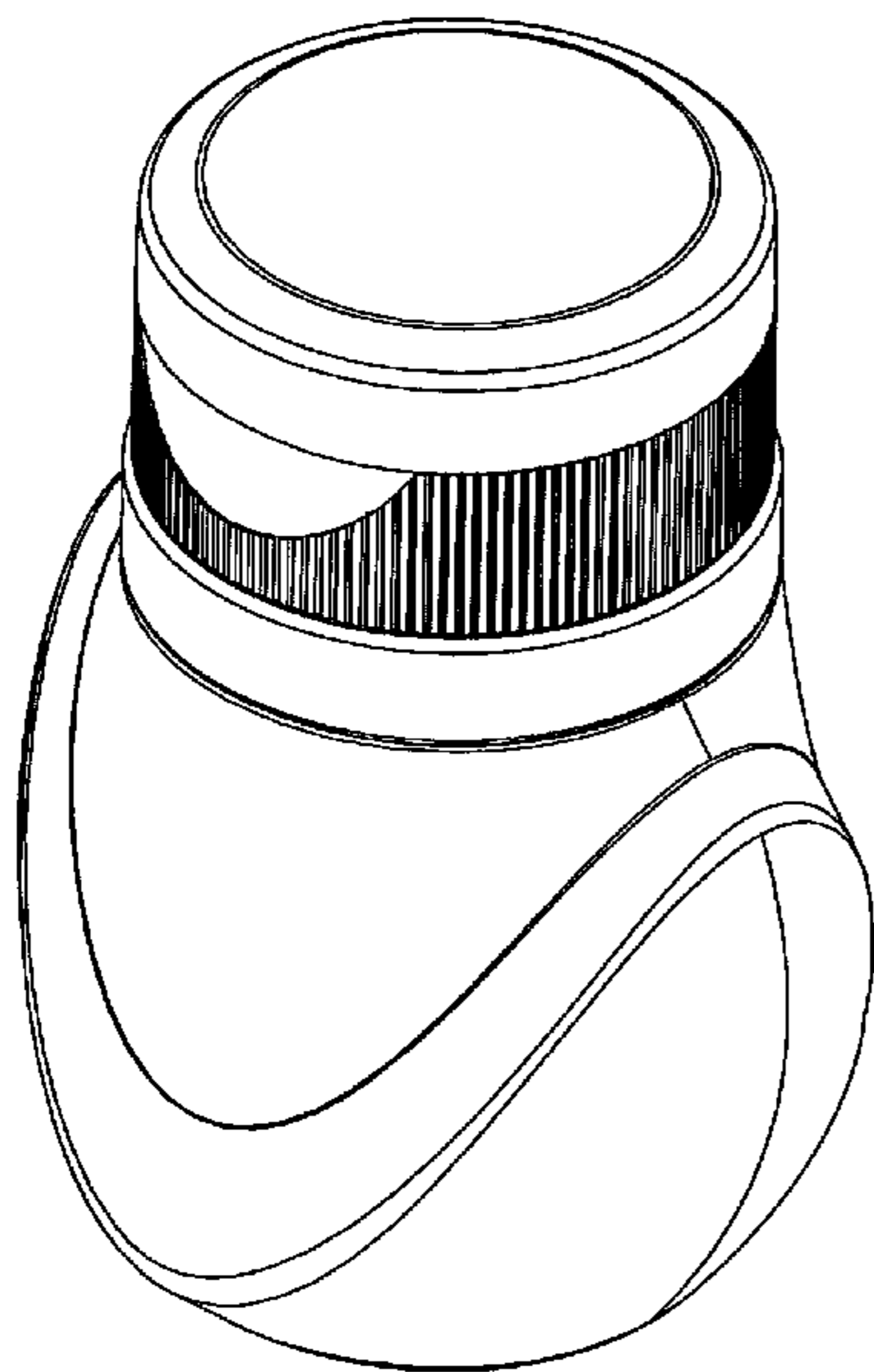
Primary Examiner — Terry Wallace

(57) **CLAIM**
The ornamental design for a dressing holder, as shown and described.

DESCRIPTION

FIG. 1 illustrates a front view of the claimed design for a dressing holder;
FIG. 2 illustrates a top view thereof;
FIG. 3 illustrates a bottom view thereof;
FIG. 4 illustrates a left-side view thereof;
FIG. 5 illustrates a right-side view thereof;
FIG. 6 illustrates a rear view thereof;
FIG. 7 illustrates a cross-sectional view thereof, taken along line A-A of FIG. 1;
FIG. 8 illustrates a perspective view thereof with a lid shown closed; and,
FIG. 9 illustrates a perspective view thereof with the lid shown open.

1 Claim, 9 Drawing Sheets



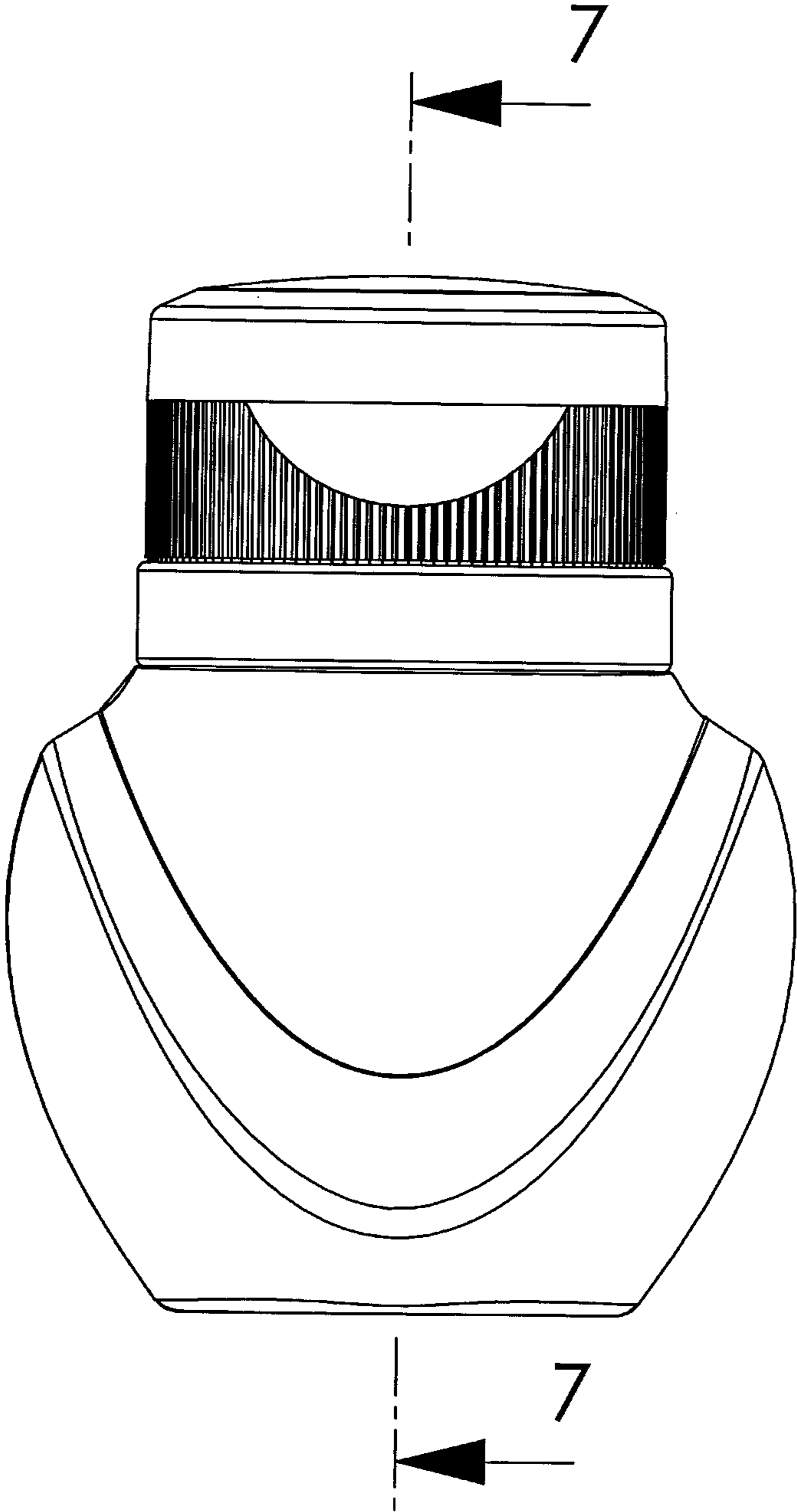


FIG 1

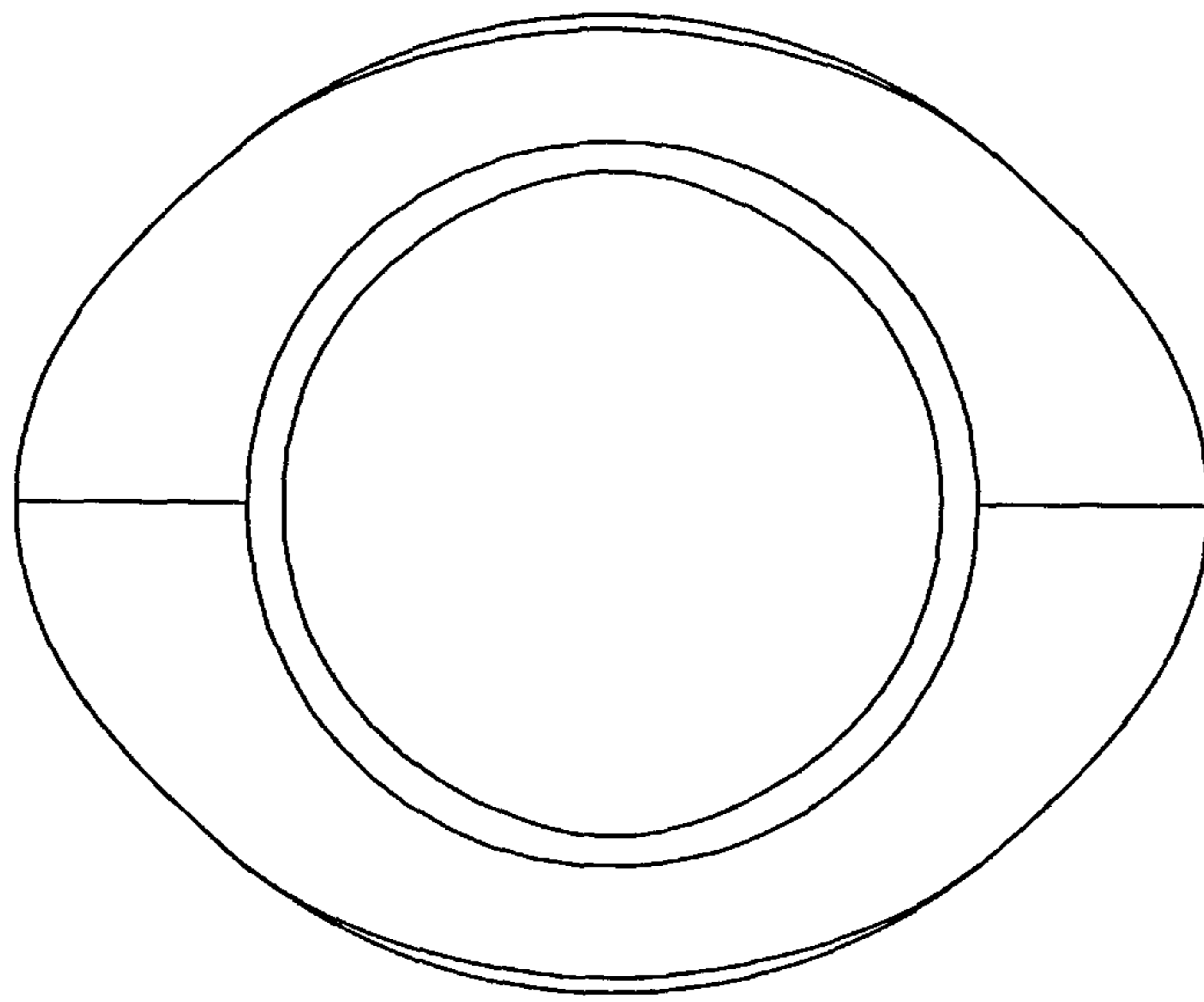


FIG 2

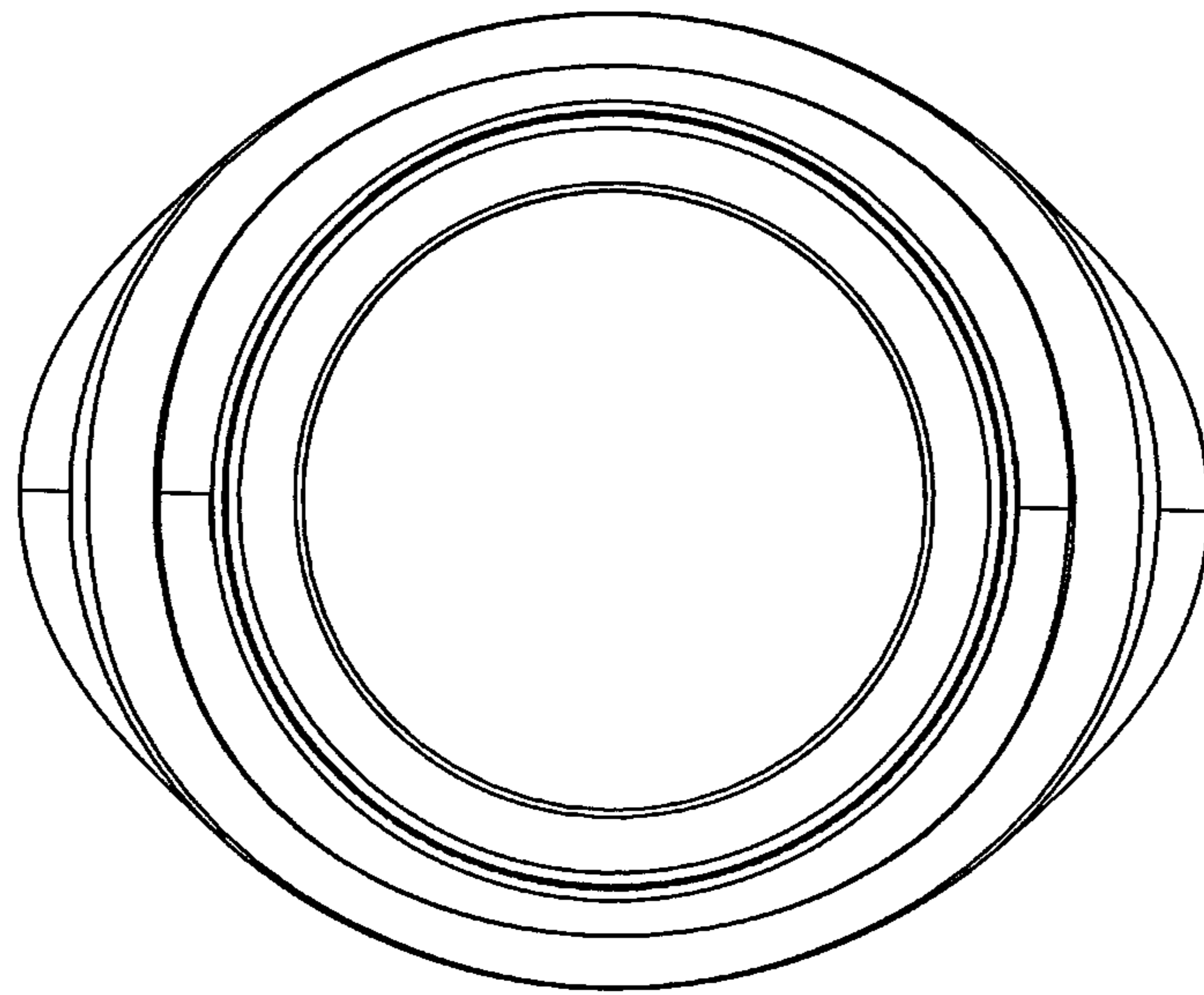


FIG 3

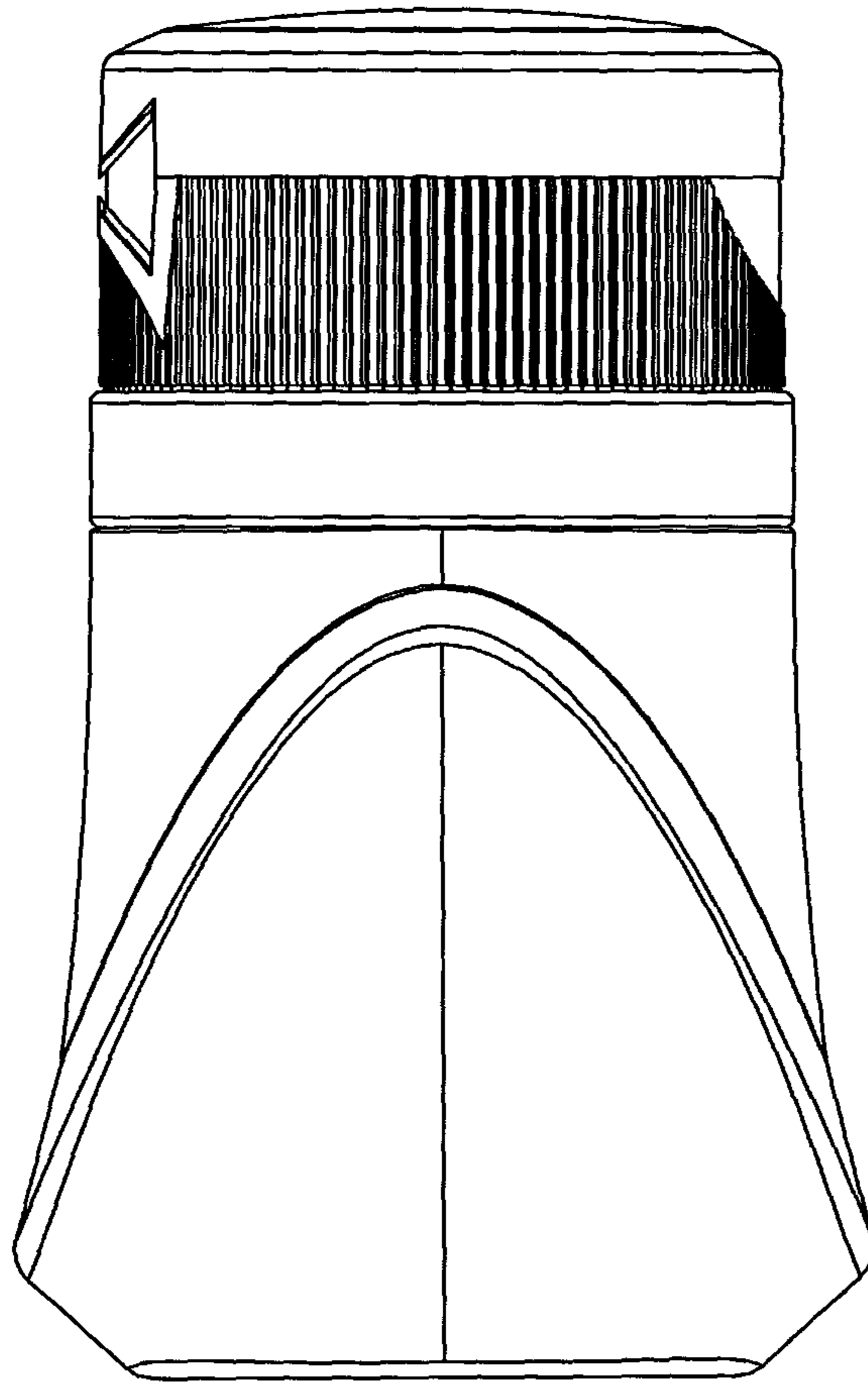


FIG 4

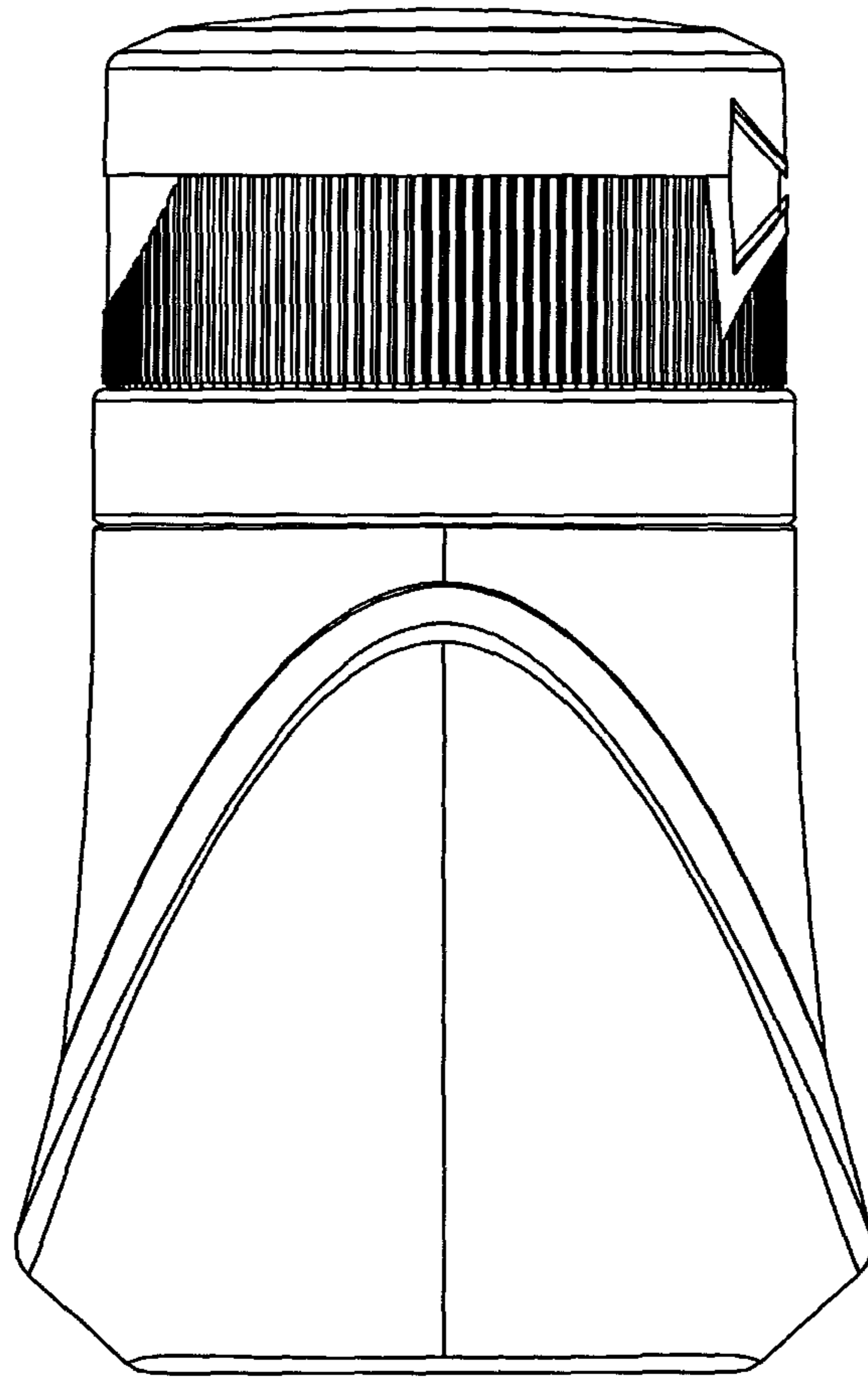


FIG 5

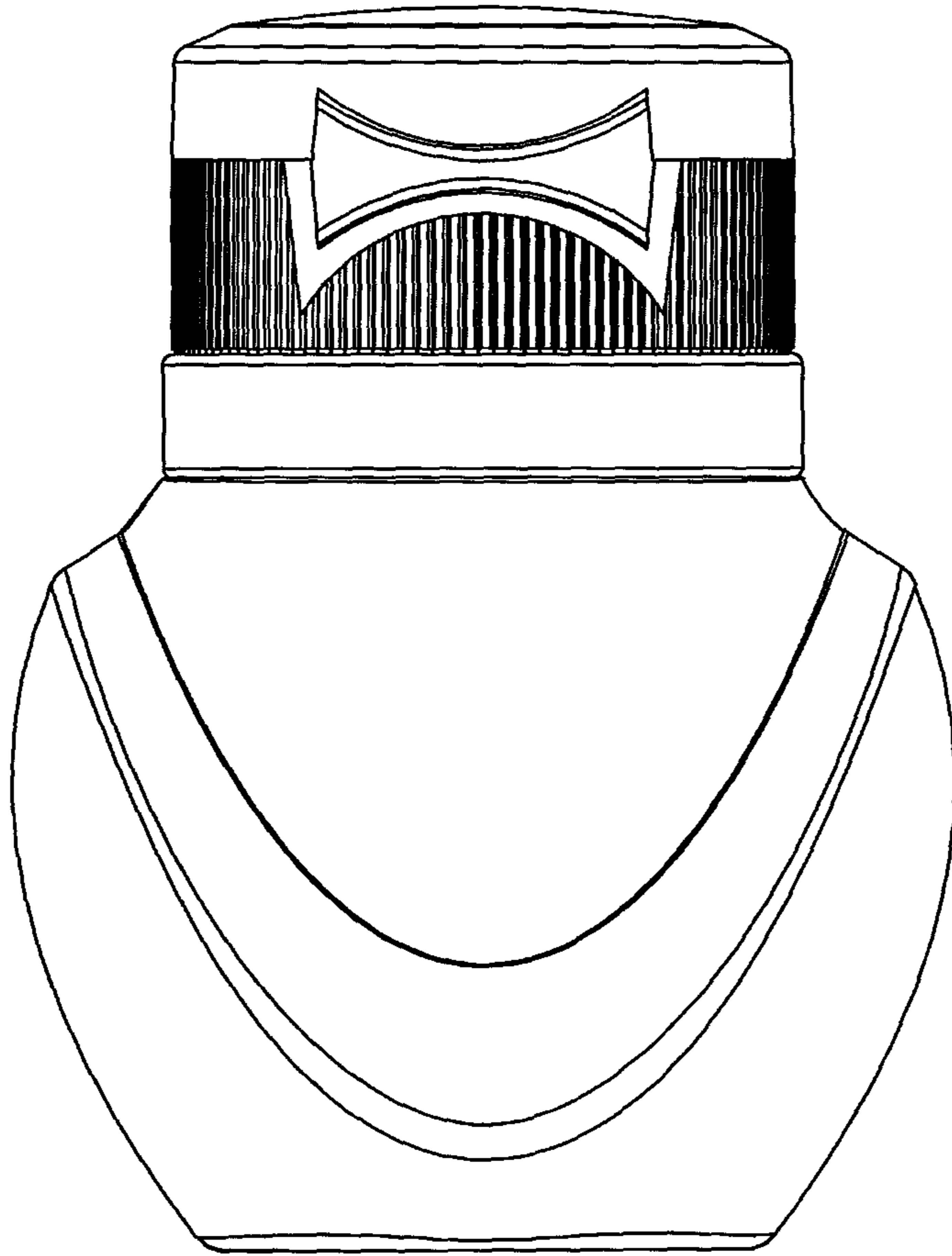


FIG 6

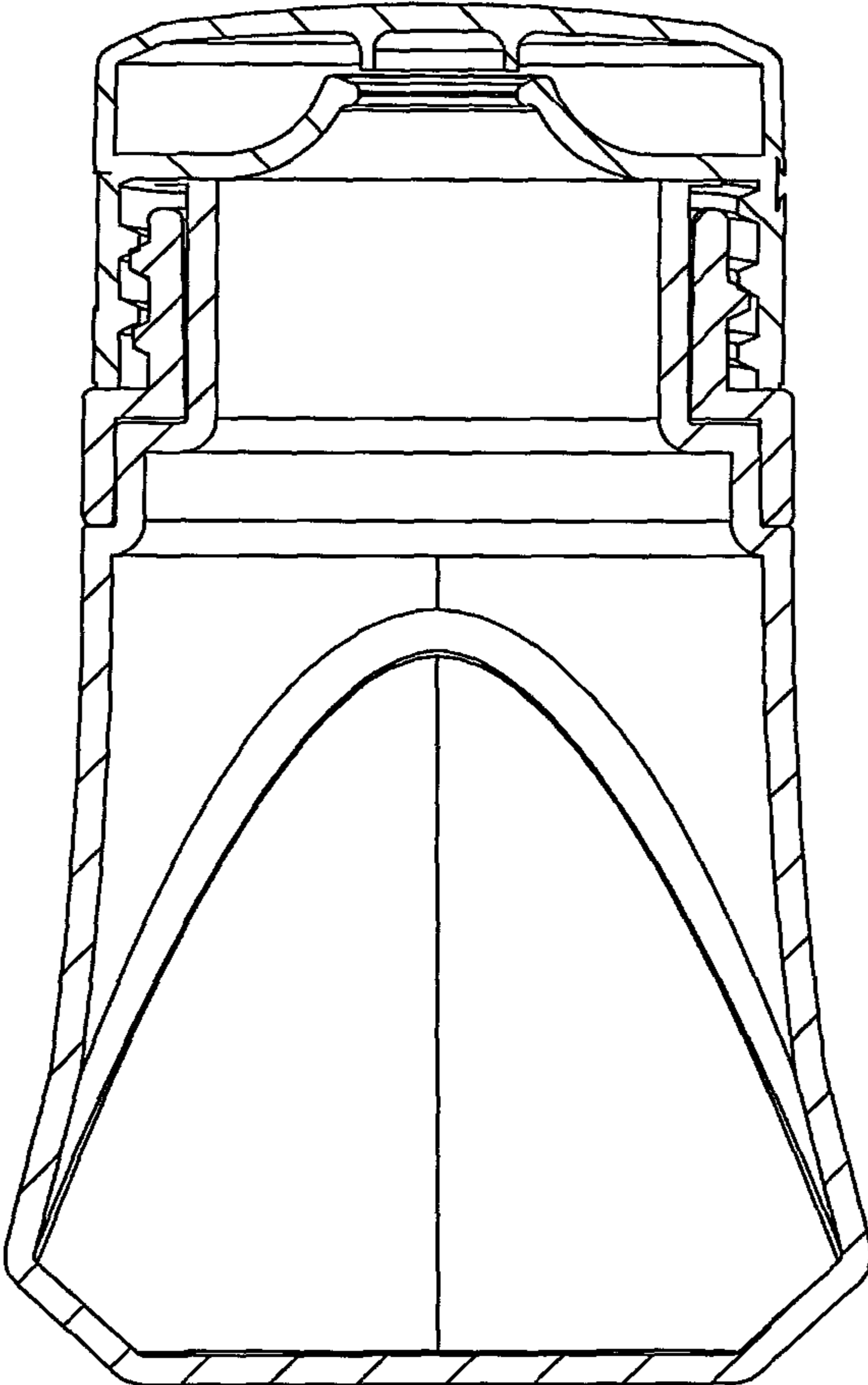


FIG 7

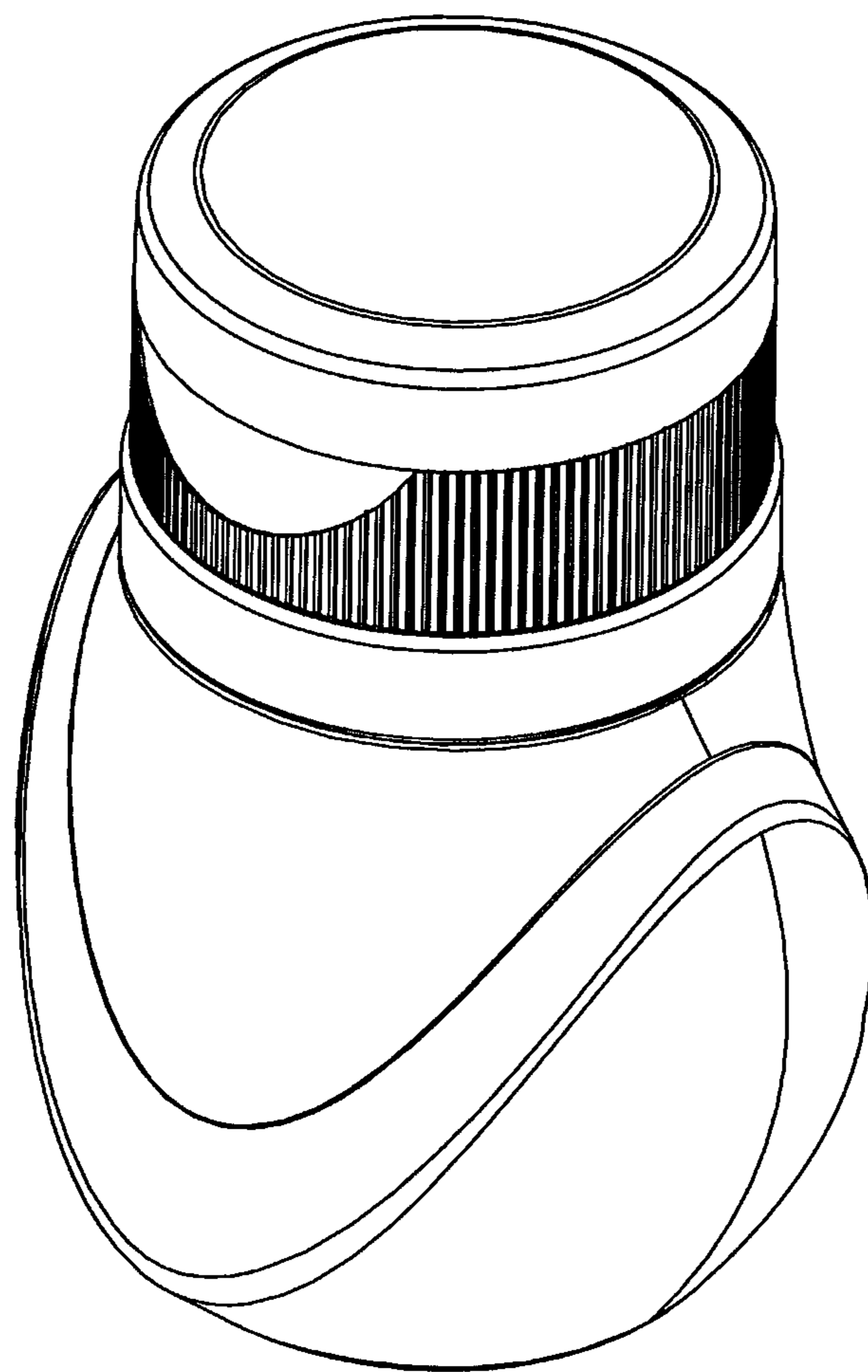


FIG 8

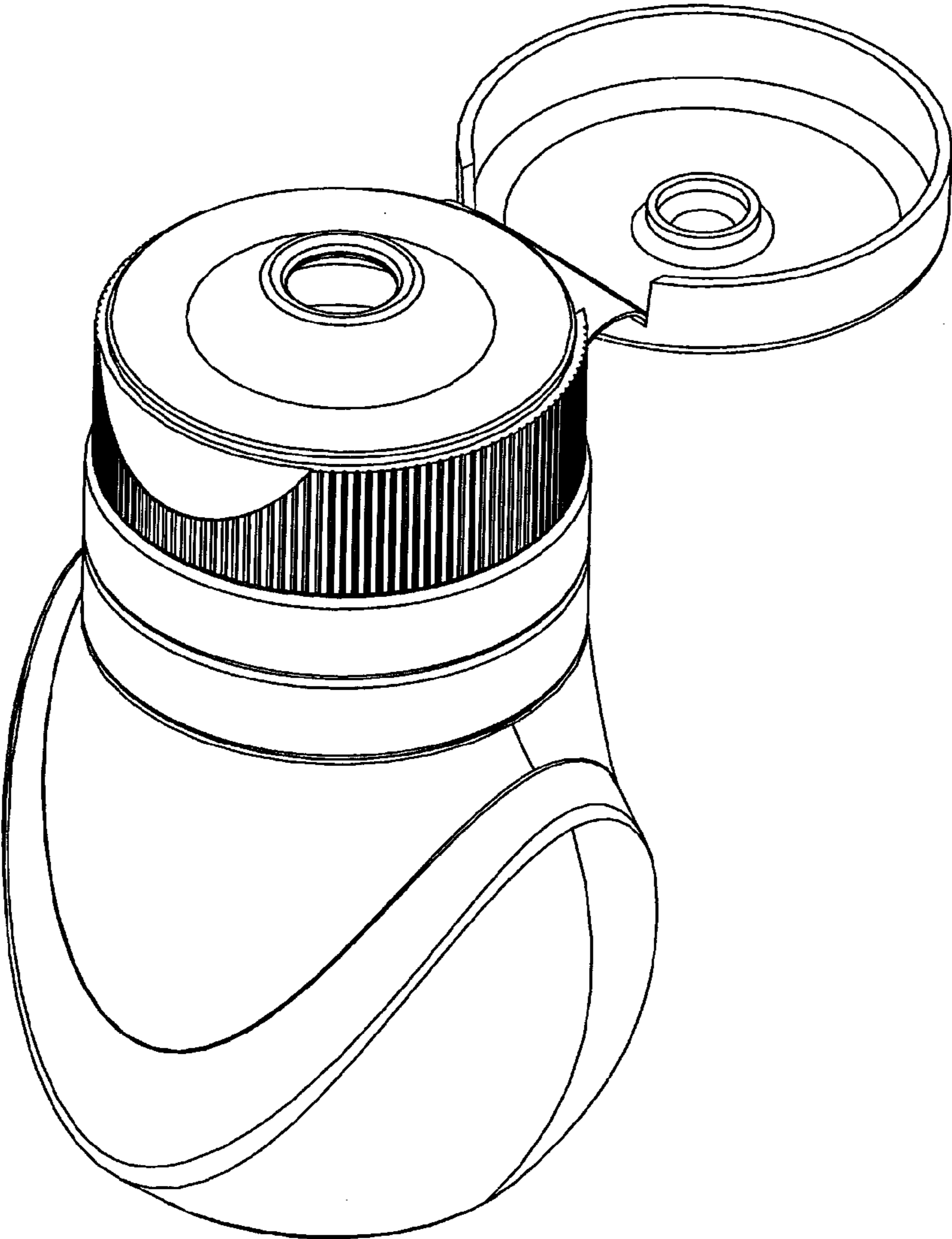


FIG 9