

US00D694586S

(12) **United States Design Patent**
Miller et al.

(10) **Patent No.:** **US D694,586 S**
(45) **Date of Patent:** **** Dec. 3, 2013**

(54) **BOWL**

(75) Inventors: **Amanda Miller**, Minneapolis, MN (US);
Richard P. Riedel, Blaine, MN (US);
Stacy Abel, Maple Grove, MN (US)

(73) Assignee: **Target Brands, Inc.**, Minneapolis, MN (US)

(**) Term: **14 Years**

(21) Appl. No.: **29/415,231**

(22) Filed: **Mar. 8, 2012**

(51) **LOC (9) Cl.** **07-01**

(52) **U.S. Cl.**
USPC **D7/587**

(58) **Field of Classification Search**
USPC D7/562, 586, 545, 561, 560, 500, 543,
D7/360, 361, 552.1, 354, 555, 566, 504,
D7/587, 565; D1/122; D30/130; 220/751,
220/23.4, 574; D9/643; 215/382, 400
See application file for complete search history.

(56) **References Cited**

U.S. PATENT DOCUMENTS

D54,846 S *	4/1920	Jacoby	D7/565
D64,850 S *	6/1924	Heisey	D7/565
D65,062 S *	7/1924	Keller	D7/565
D66,288 S *	12/1924	Heisey	D7/548
D70,224 S *	5/1926	Heisey	D7/565
D92,112 S *	4/1934	Retich	D7/565
D164,407 S *	9/1951	Cowan	D7/565
D192,811 S *	5/1962	Guarriello	D11/155
D194,074 S *	11/1962	Schladermundt	D7/608
D207,727 S *	5/1967	Benes	D7/560
D246,749 S *	12/1977	Harshman et al.	D7/560
D275,355 S *	9/1984	Durand	D7/560
D324,324 S *	3/1992	Picozza	D7/565
D345,892 S *	4/1994	Heiberg et al.	D7/543
D351,968 S	11/1994	Zivin		

D353,519 S * 12/1994 Wolfenden D7/584
D381,514 S 7/1997 Wood
D457,037 S * 5/2002 Hayes D7/584

(Continued)

OTHER PUBLICATIONS

“Vintage Yellow Ware Stoneware Pottery Blue Basket Weave Mixing Bowl McCoy ??,” printed from www.ebay.com/itm/Vintage-Yellow-Ware-Stoneware-Pottery-Blu—98183619?pt=LH_DefaultDomain_0&hash=item53e967dcc3#ht_500wt1237 on Oct. 12, 2011 (2 pages).

(Continued)

Primary Examiner — Cynthia Underwood

(74) *Attorney, Agent, or Firm* — Griffiths & Seaton PLLC; JoAnn M. Seaton

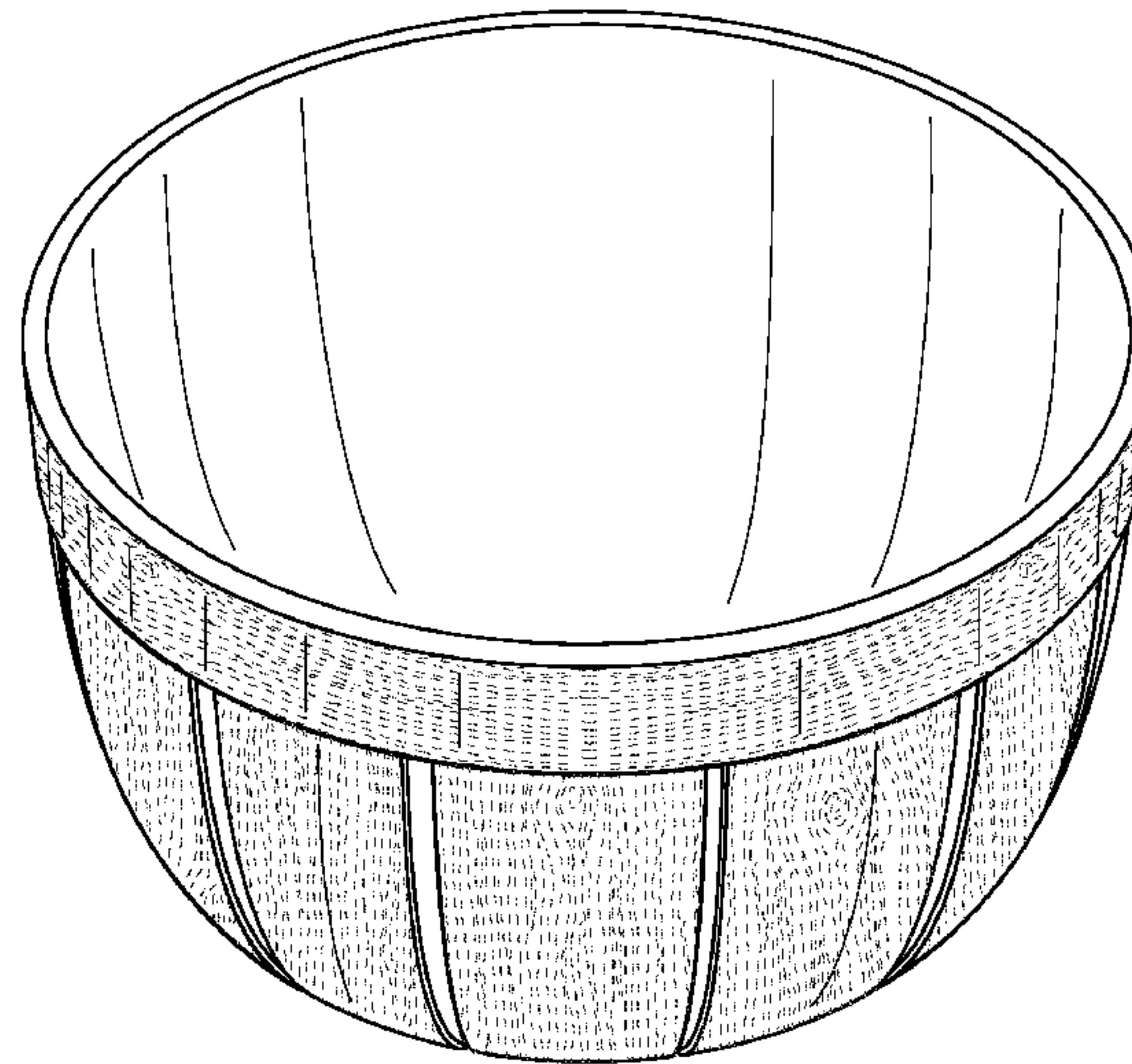
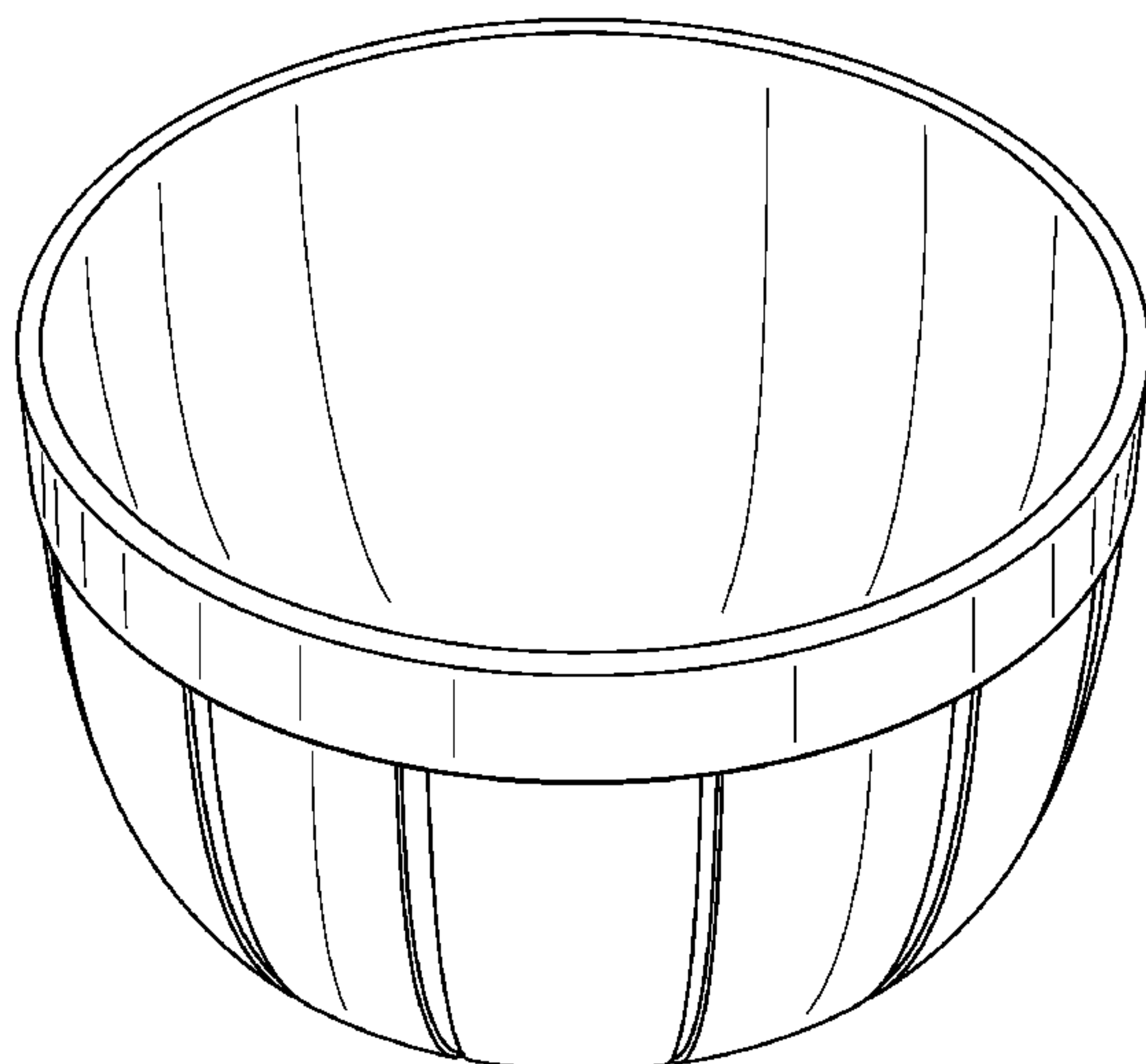
(57) **CLAIM**

The ornamental design for a bowl, as shown and described.

DESCRIPTION

FIG. 1 is a front, perspective view of a bowl showing a first embodiment of our new design;
FIG. 2 is a front view thereof, the rear view being identical to the front view;
FIG. 3 is a right side view thereof; the left side view being identical to the right side view;
FIG. 4 is a top view thereof; and
FIG. 5 is a bottom view thereof.
FIG. 6 is a front, perspective view of a BOWL showing a second embodiment of our new design showing unclaimed faux wood grain on outer surfaces thereof;
FIG. 7 is a front view thereof, the rear view being identical to the front view;
FIG. 8 is a right side view thereof; the left side view being identical to the right side view;
FIG. 9 is a top view thereof; and
FIG. 10 is a bottom view thereof.
The broken lines in FIGS. 6-12 represent faux wood grain and form no part of the claim.

1 Claim, 8 Drawing Sheets



(56)

References Cited

U.S. PATENT DOCUMENTS

D460,663 S 7/2002 Seager
D551,909 S 10/2007 Eide et al.
D605,502 S * 12/2009 Honda et al. D9/429
7,823,737 B2 * 11/2010 Noll et al. 215/381
D666,458 S * 9/2012 Montgomery D7/586
D685,612 S * 7/2013 Ludeman et al. D7/545

OTHER PUBLICATIONS

“10’ Natural Chipwood Apple Basket,” printed from http://factorydirectcraft.com/catalog/products/2026_2087-8546-10_natural_chipwood_apple_basket.html on Oct. 12, 2011 (1 page).

“Fall Mum or Apple Basket Size: 7-3/8’ diam x 8’h,” printed from http://factorydirectcraft.com/catalog/products/2026_2087-8545-fall_mum_or_apple_basket_size_738diam_x_8h.html on Oct. 12, 2011 (1 page).

“Sukkot Apple Basket,” printed from www.kosherbyte.com/kosher-gift-baskets/pc/Sukkot-Apple-Basket-36p667.htm on Oct. 12, 2011 (2 pages).

Roach, Marion, “A Harvest Tale of Remembrance,” <http://thesisterproject.com/roach/a-harvest-tale-of-remembrance/>, Oct. 1, 2009 (9 pages).

Office Action from Canadian Patent Application No. 147,048, mailed Feb. 4, 2013 (1 page).

* cited by examiner

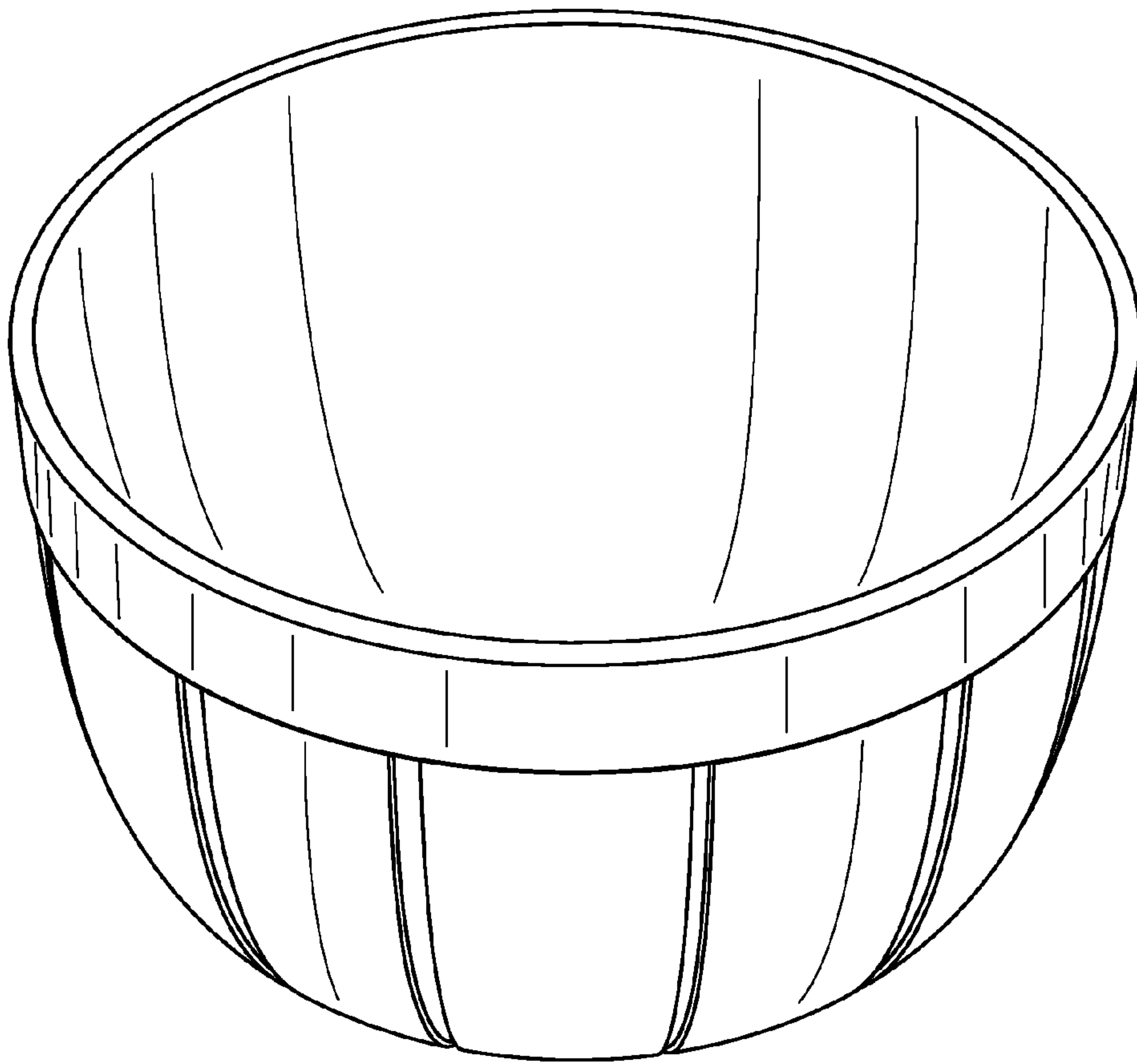


FIG. 1

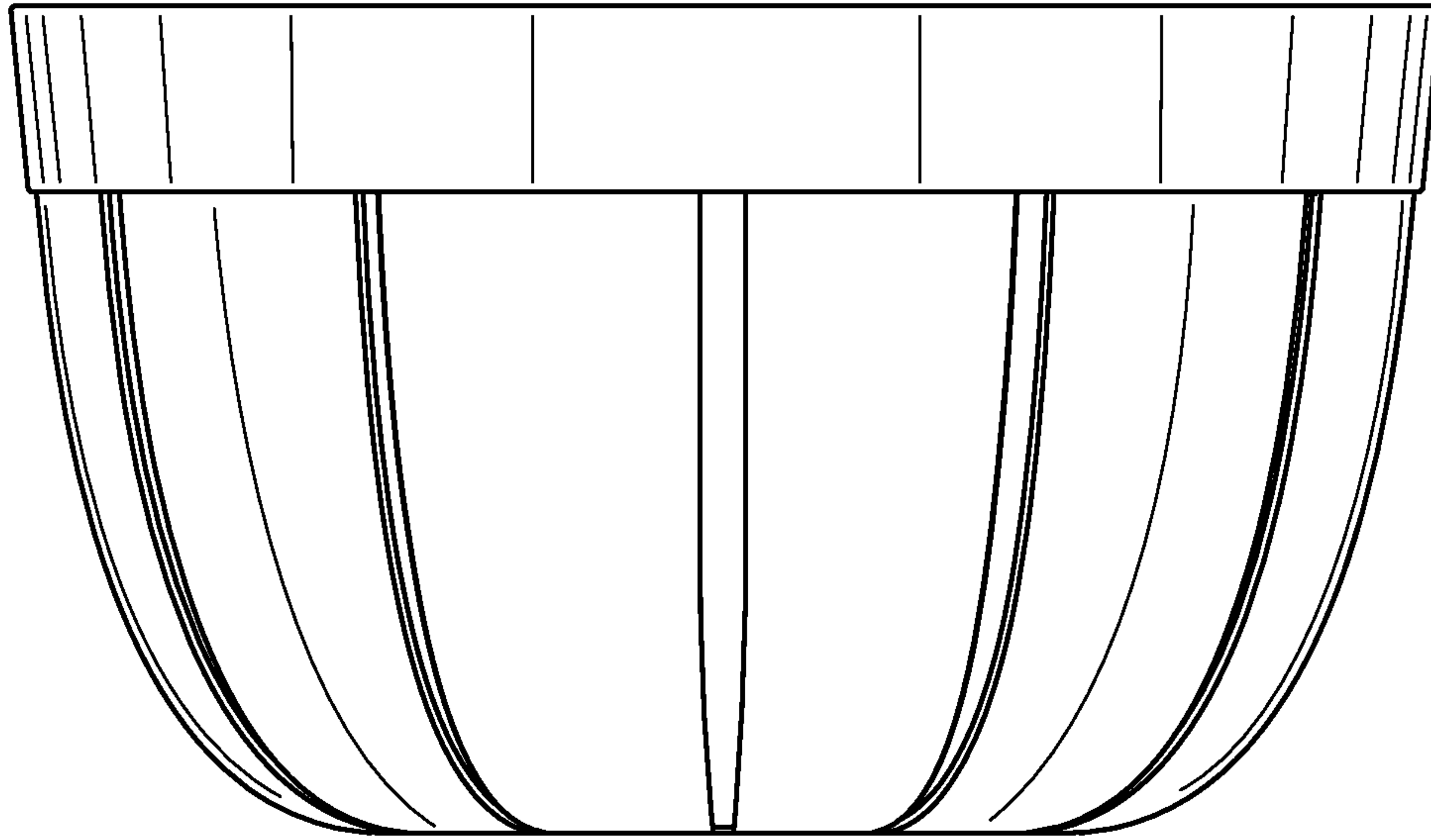


FIG. 2

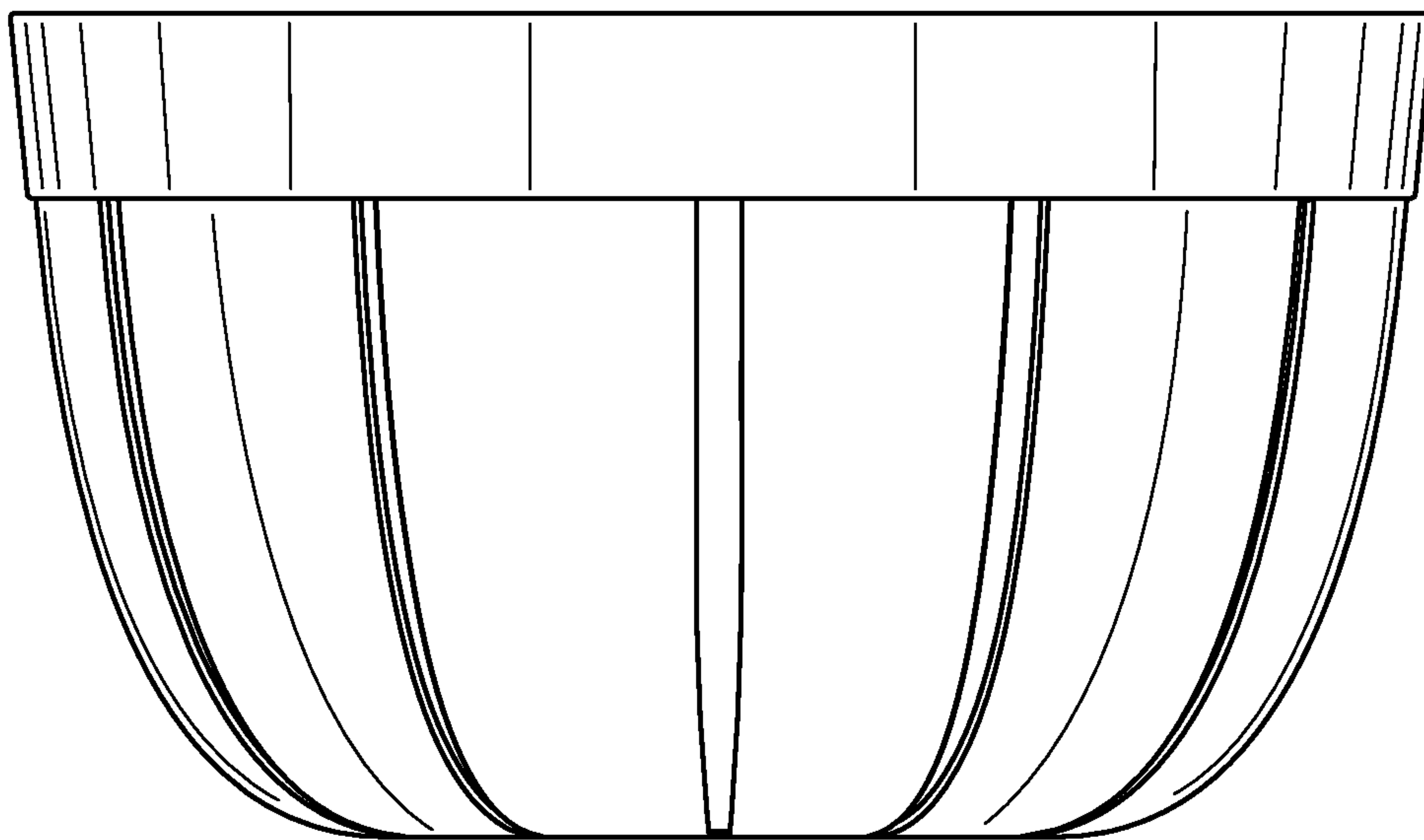


FIG. 3

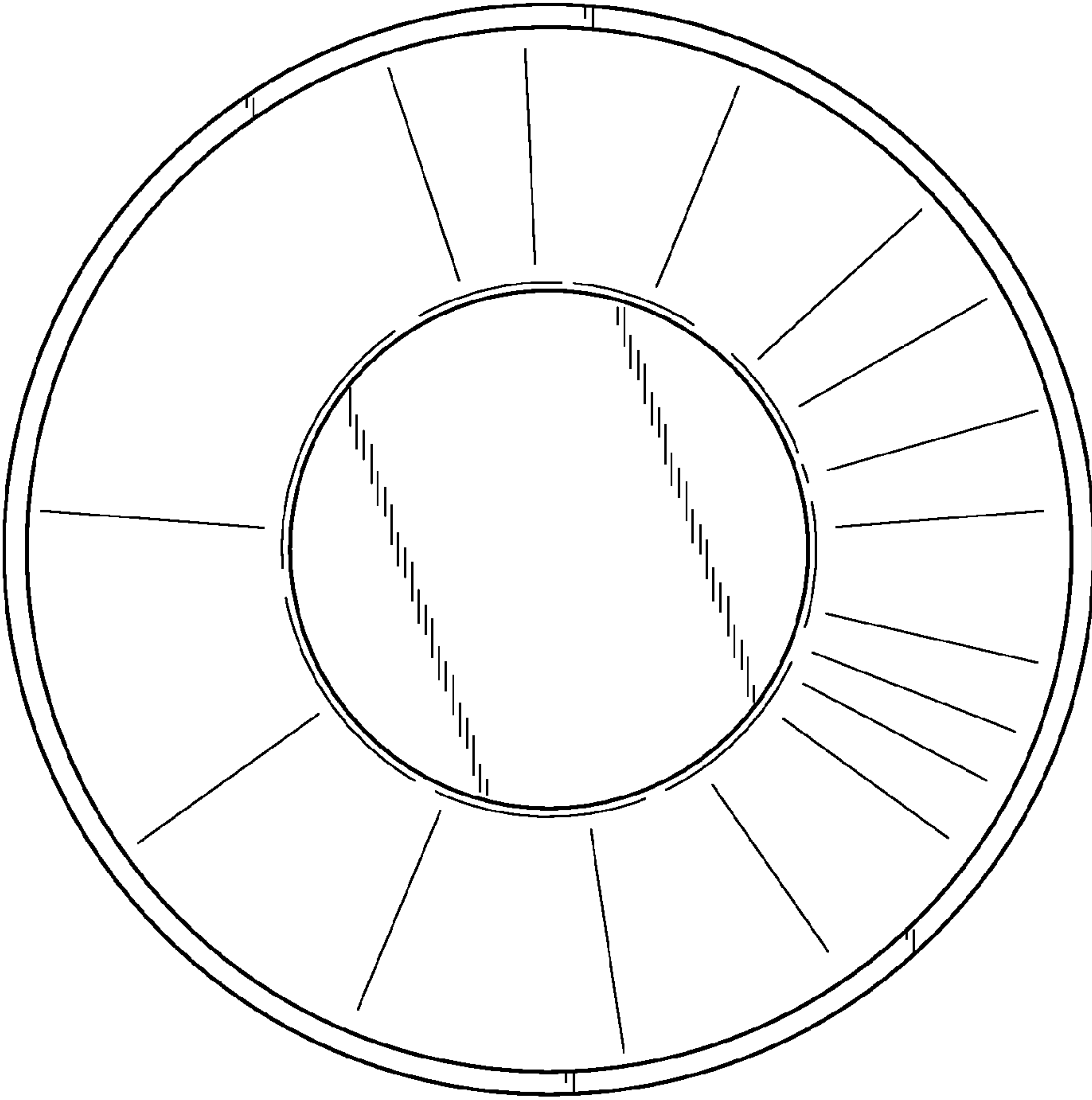


FIG. 4

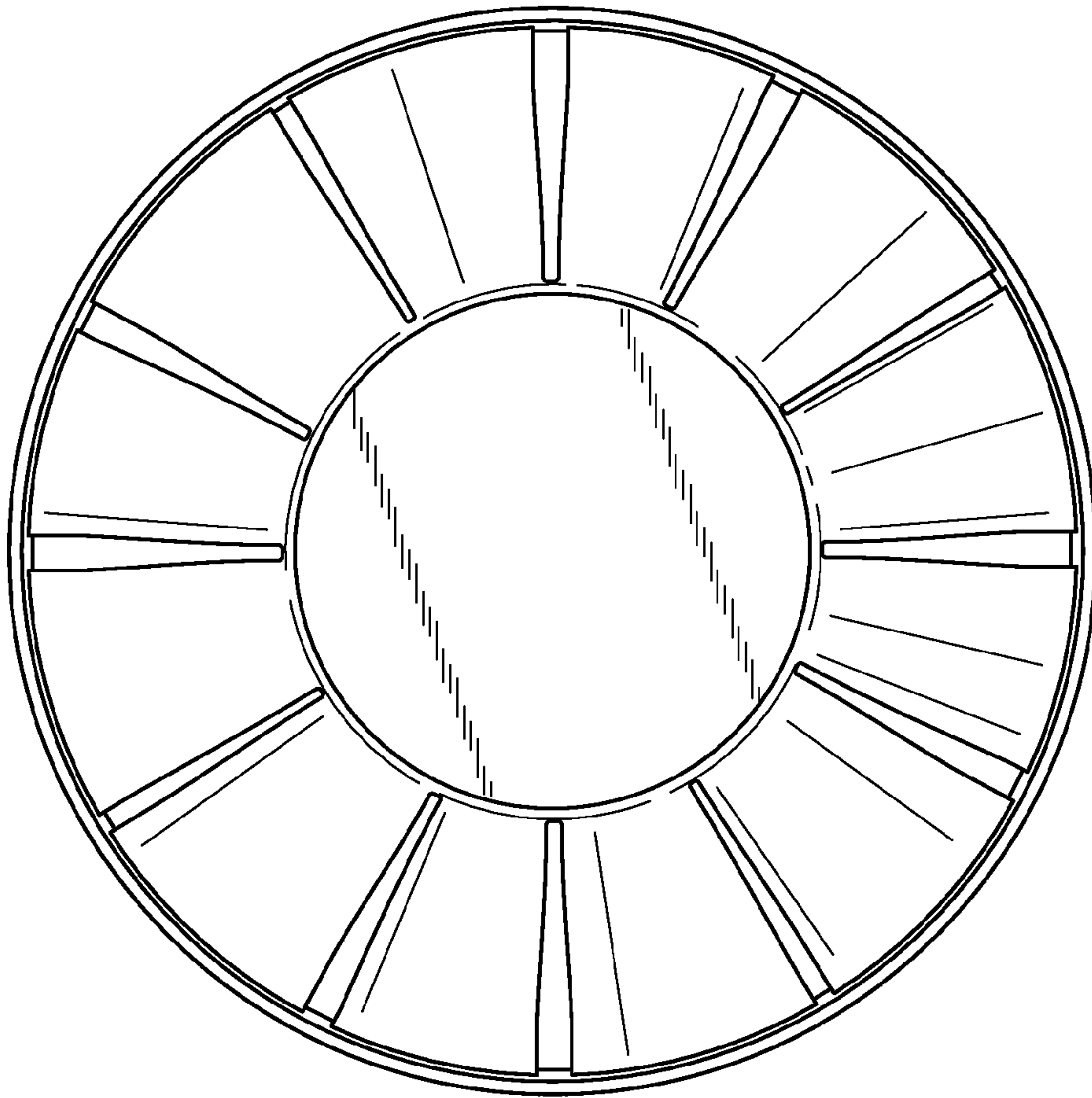


FIG. 5

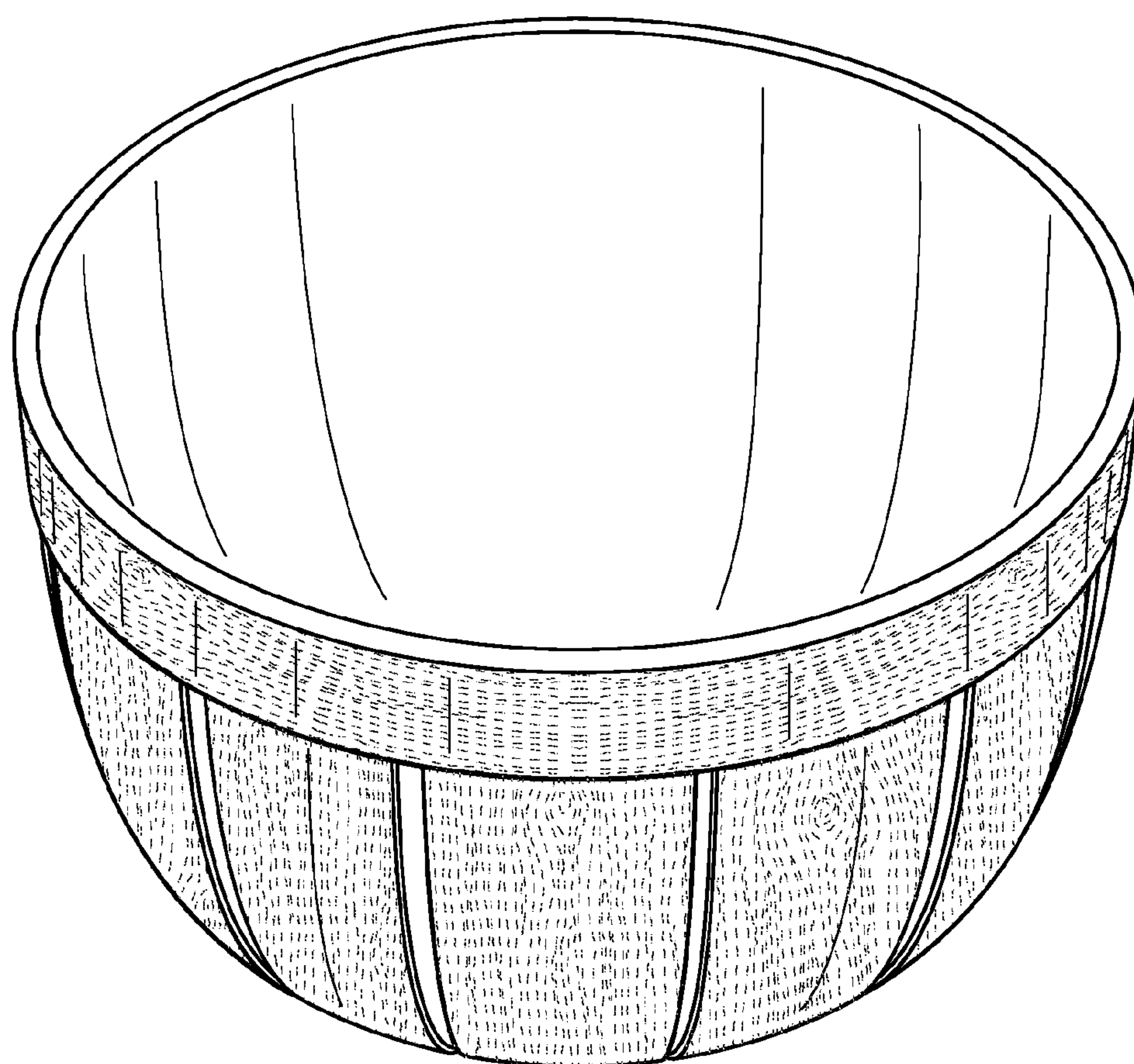


FIG. 6

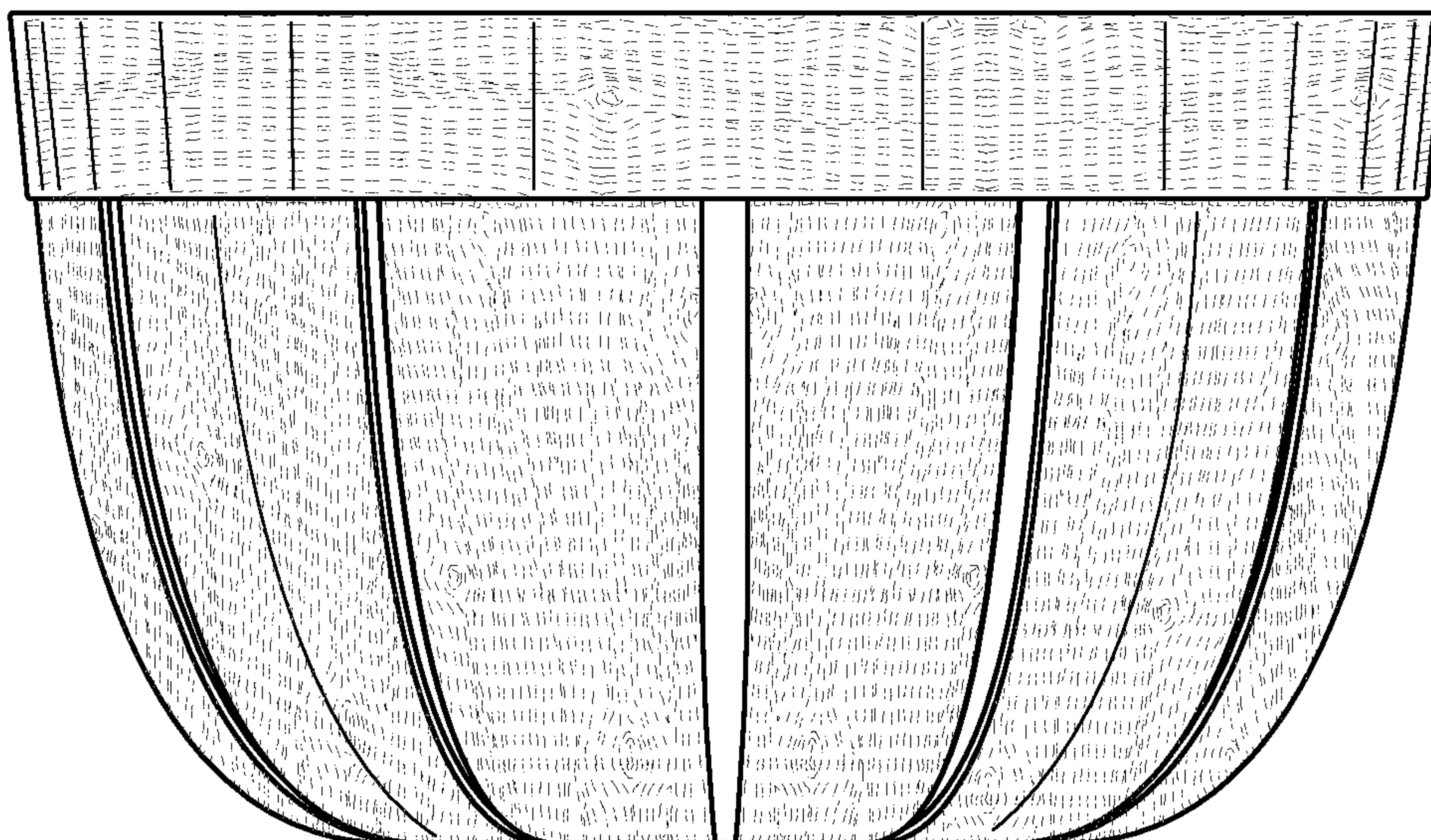


FIG. 7

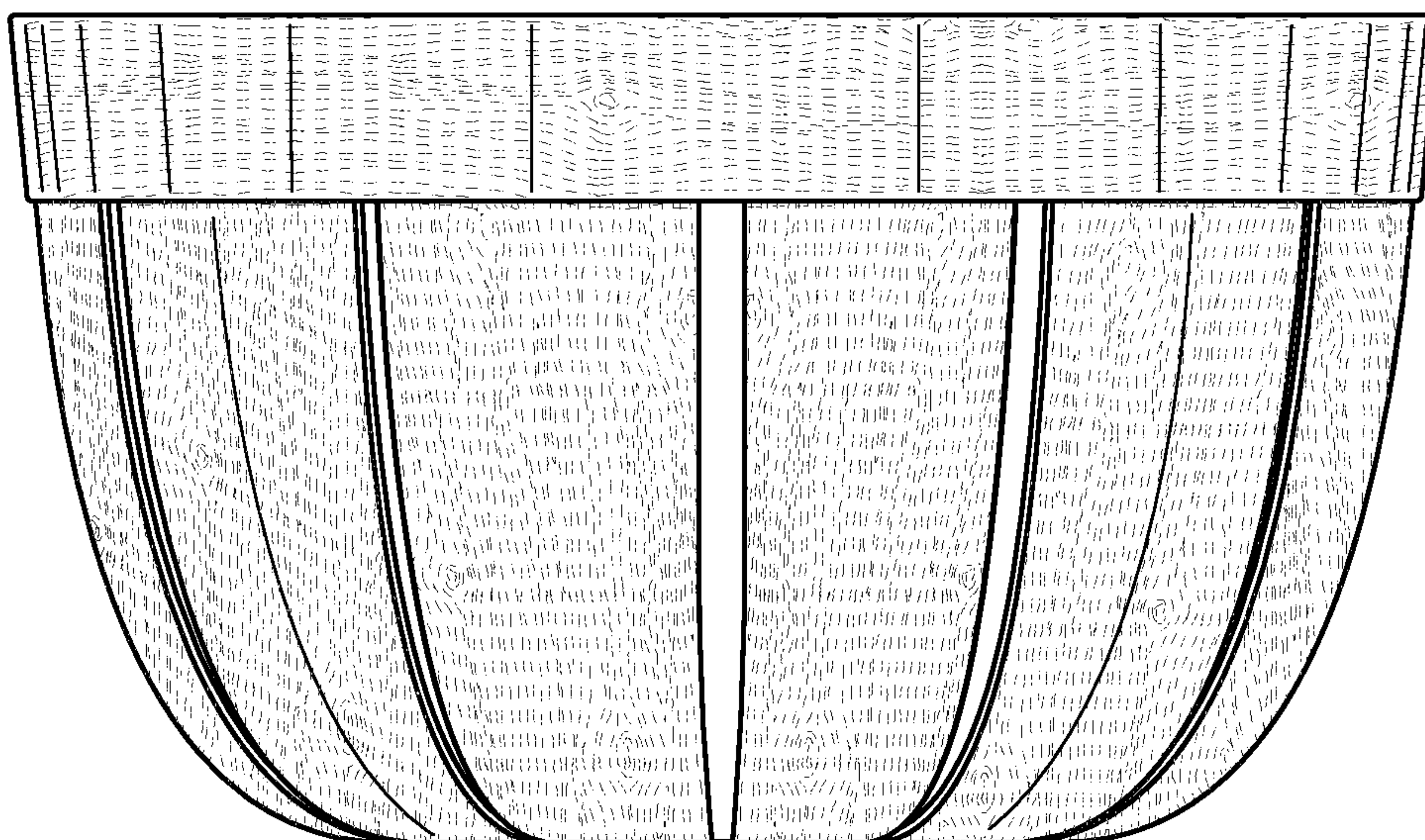


FIG. 8

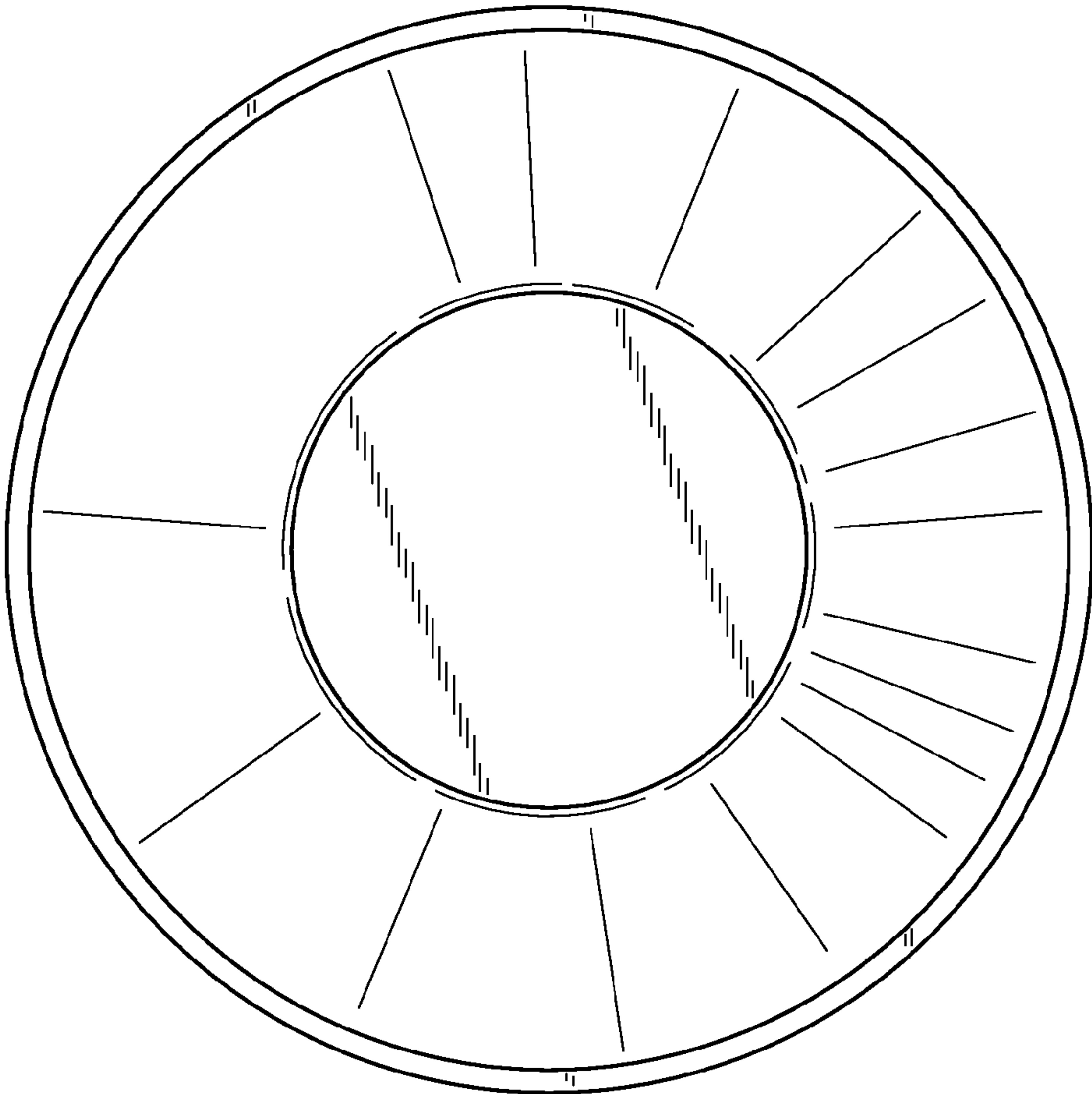


FIG. 9

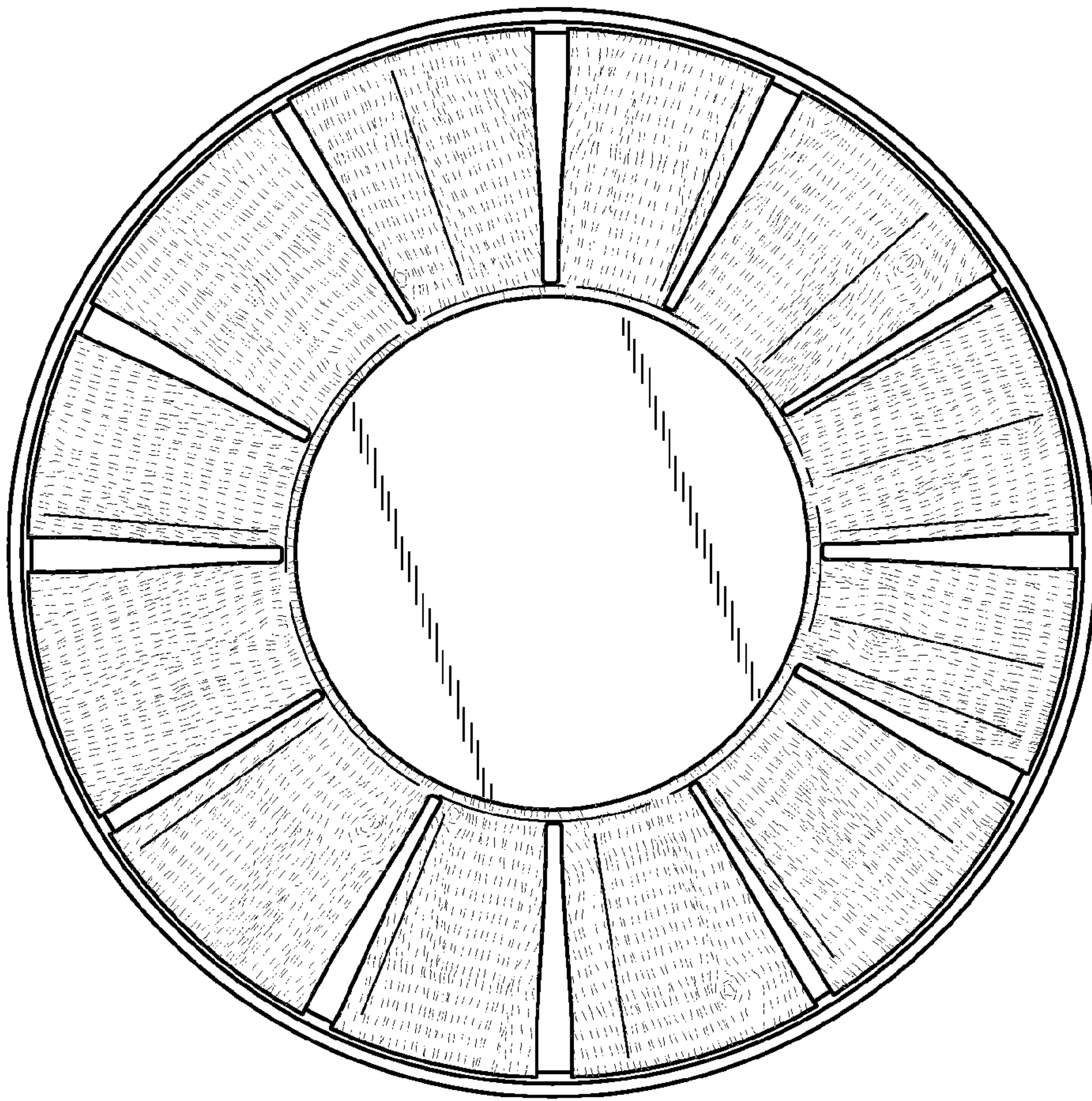


FIG. 10