



US00D694584S

(12) **United States Design Patent**
Matsumoto et al.

(10) **Patent No.:** **US D694,584 S**
(45) **Date of Patent:** **** Dec. 3, 2013**

- (54) **CONTAINER CONFIGURATION**
- (75) Inventors: **Tamotsu Matsumoto**, Chiba (JP);
Makiko Kida, Chiba (JP); **Takuma Watanabe**, Tokyo (JP); **Evan Abel**,
Rockaway Park, NY (US)
- (73) Assignee: **Helen of Troy Limited**, St. Michael
(BB)
- (**) Term: **14 Years**
- (21) Appl. No.: **29/428,016**
- (22) Filed: **Jul. 25, 2012**
- (51) **LOC (9) Cl.** **07-01**
- (52) **U.S. Cl.**
USPC **D7/505**; D7/629; D7/701; D7/614
- (58) **Field of Classification Search**
USPC D7/628, 629, 505, 506, 538, 602, 701,
D7/614, 706, 566, 501; D9/430, 743, 745;
220/23.83, 792, 793, 234
See application file for complete search history.

4,483,455 A *	11/1984	Prophet et al.	220/23.83
D280,965 S *	10/1985	Prophet et al.	D7/614
D308,941 S *	7/1990	Kong	D9/416
D391,808 S *	3/1998	Voege	D7/629
D415,392 S *	10/1999	Wallays et al.	D7/601
D439,162 S *	3/2001	Juhng	D9/430
D462,877 S *	9/2002	Lillelund et al.	D7/552.1
D469,319 S *	1/2003	Pettaweebuncha	D7/629
D483,232 S *	12/2003	Liu	D7/629
D539,612 S *	4/2007	Foss	D7/629
D568,693 S *	5/2008	Furlong	D7/629
D612,214 S *	3/2010	Murray	D7/628
D621,667 S *	8/2010	Ablo	D7/629
D658,943 S *	5/2012	Galinski	D7/505
D659,478 S *	5/2012	Cossu	D7/538
D672,209 S *	12/2012	Lion et al.	D7/629
D674,665 S *	1/2013	Olivari	D7/629
D681,395 S *	5/2013	Matsumoto et al.	D7/505

* cited by examiner

Primary Examiner — Marianne Pandozzi

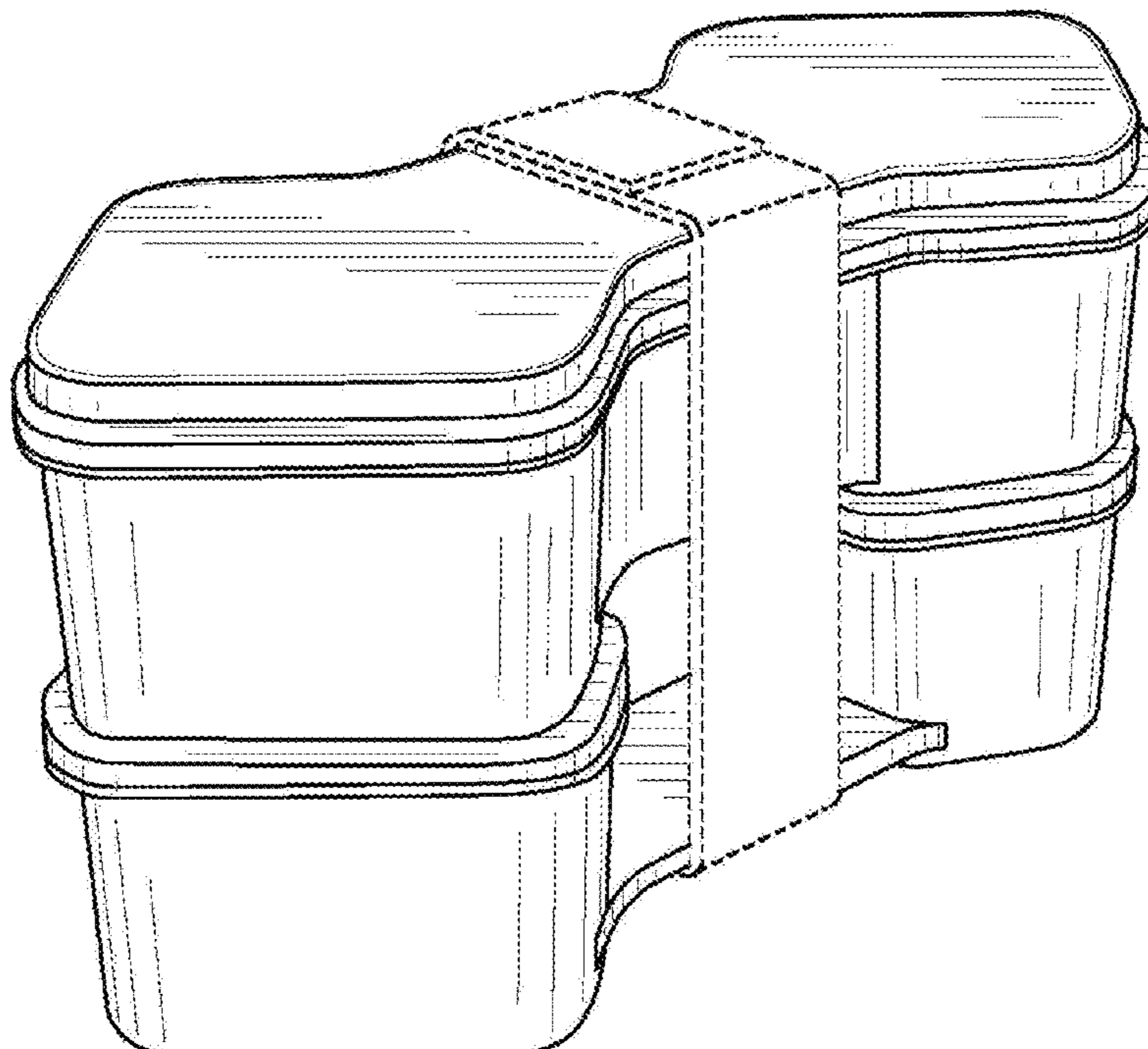
(57) **CLAIM**
The ornamental design for a container configuration, as shown and described.

DESCRIPTION

FIG. 1 is a perspective view of the container configuration; FIG. 2 is a top view of the container configuration; FIG. 3 is a front view of the container configuration; FIG. 4 is a side view of the container configuration; and, FIG. 5 is a bottom view of the container configuration. The broken lines are for illustrative purposes only and form no part of the claimed design.

1 Claim, 5 Drawing Sheets

- (56) **References Cited**
U.S. PATENT DOCUMENTS
- D94,099 S * 12/1934 Schurlock D7/614
- D96,450 S * 8/1935 Smith D7/505
- D182,697 S * 4/1958 Warren D7/501
- 3,526,334 A * 9/1970 Swett et al. 220/23.83
- D222,498 S * 10/1971 Gould D7/614
- 3,693,830 A * 9/1972 Oglesbee 206/162
- D251,104 S * 2/1979 Sanchez et al. D7/706



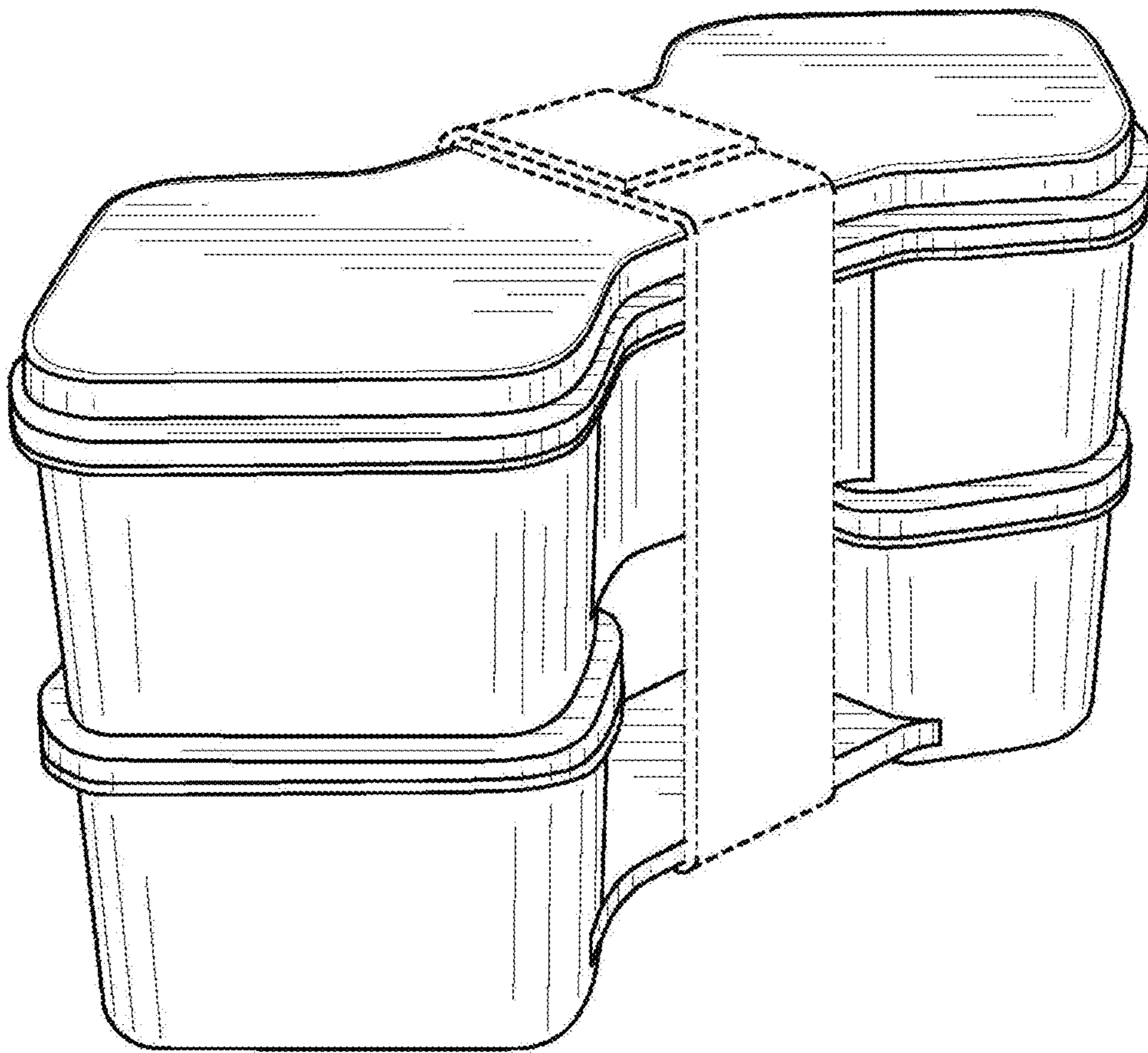


Figure 1

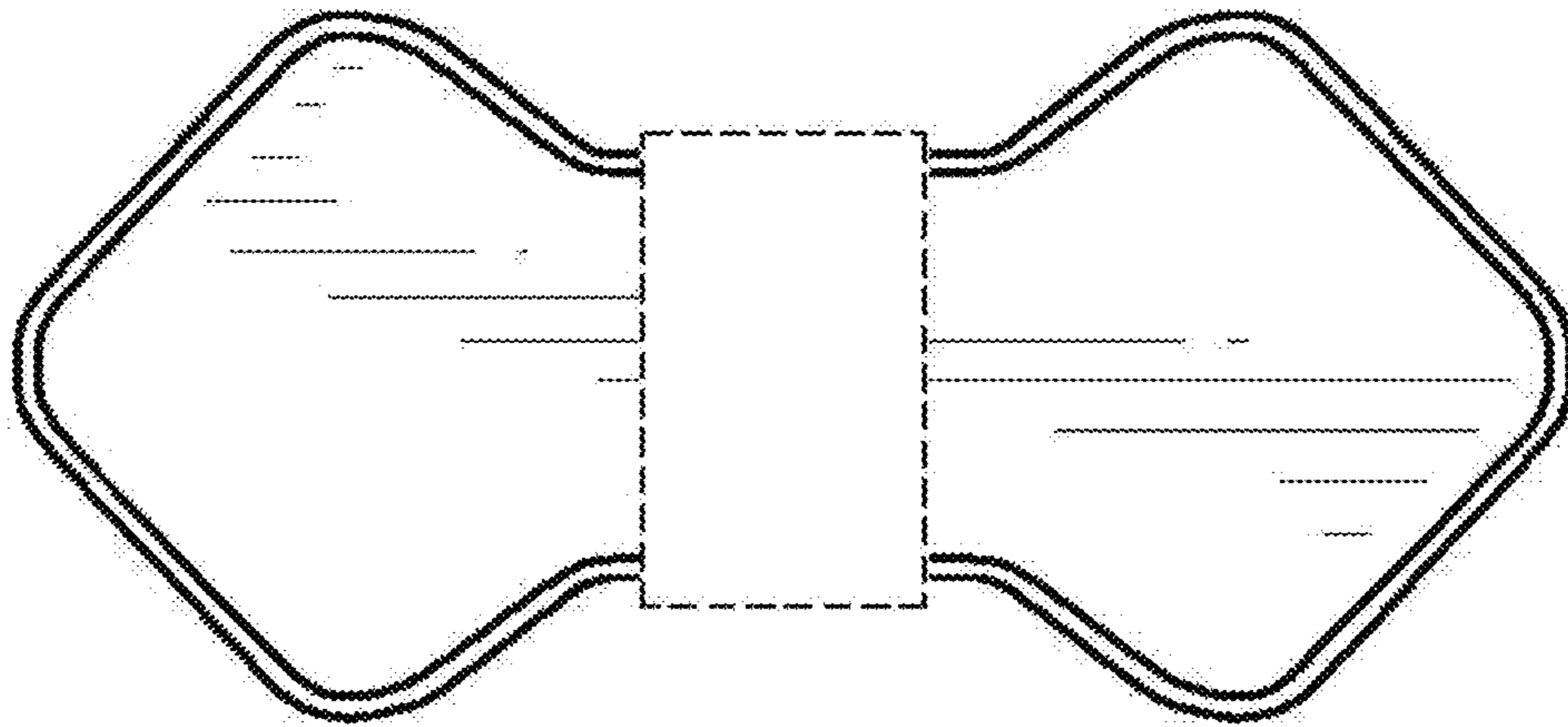


Figure 2

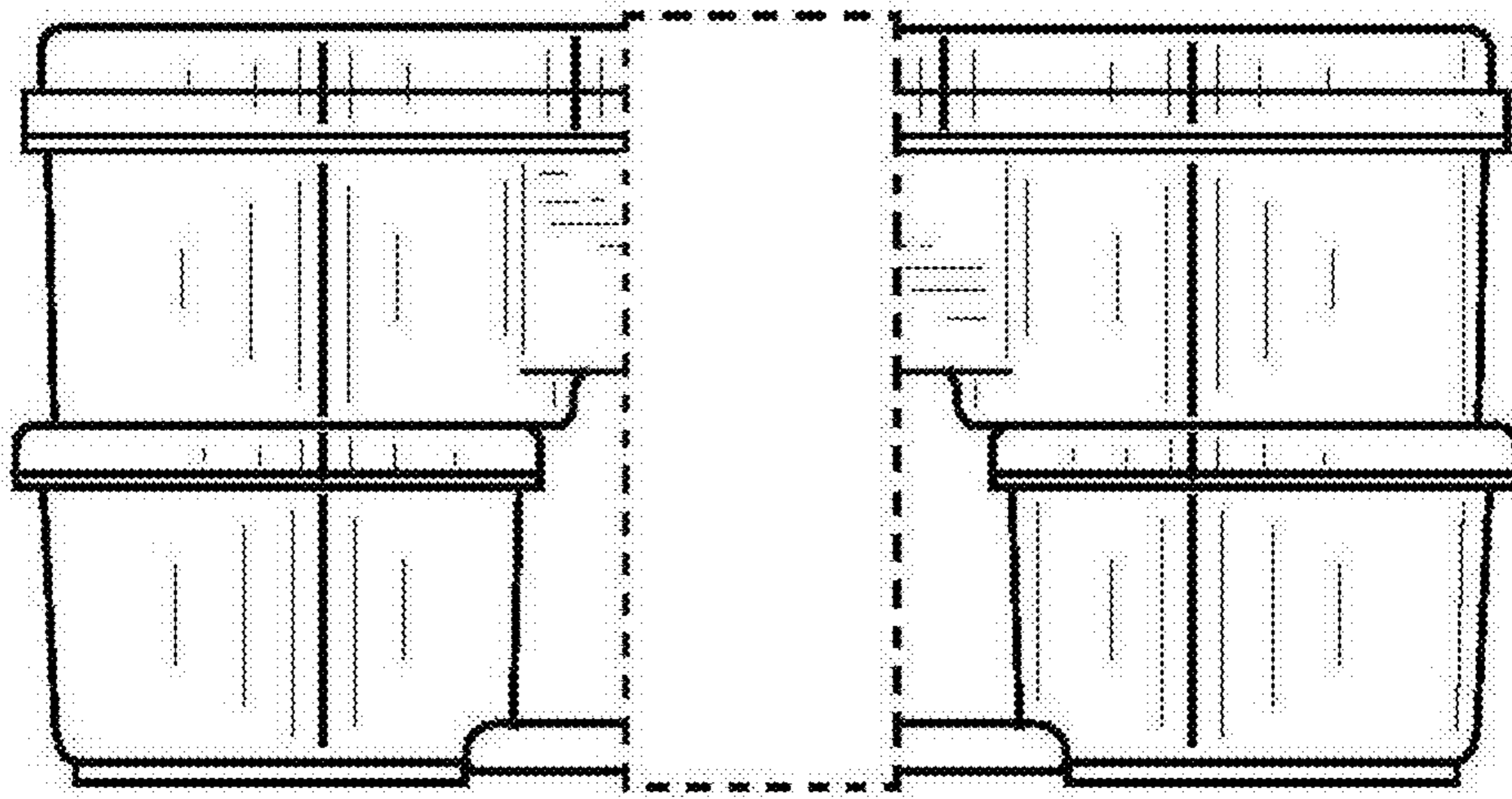


Figure 3

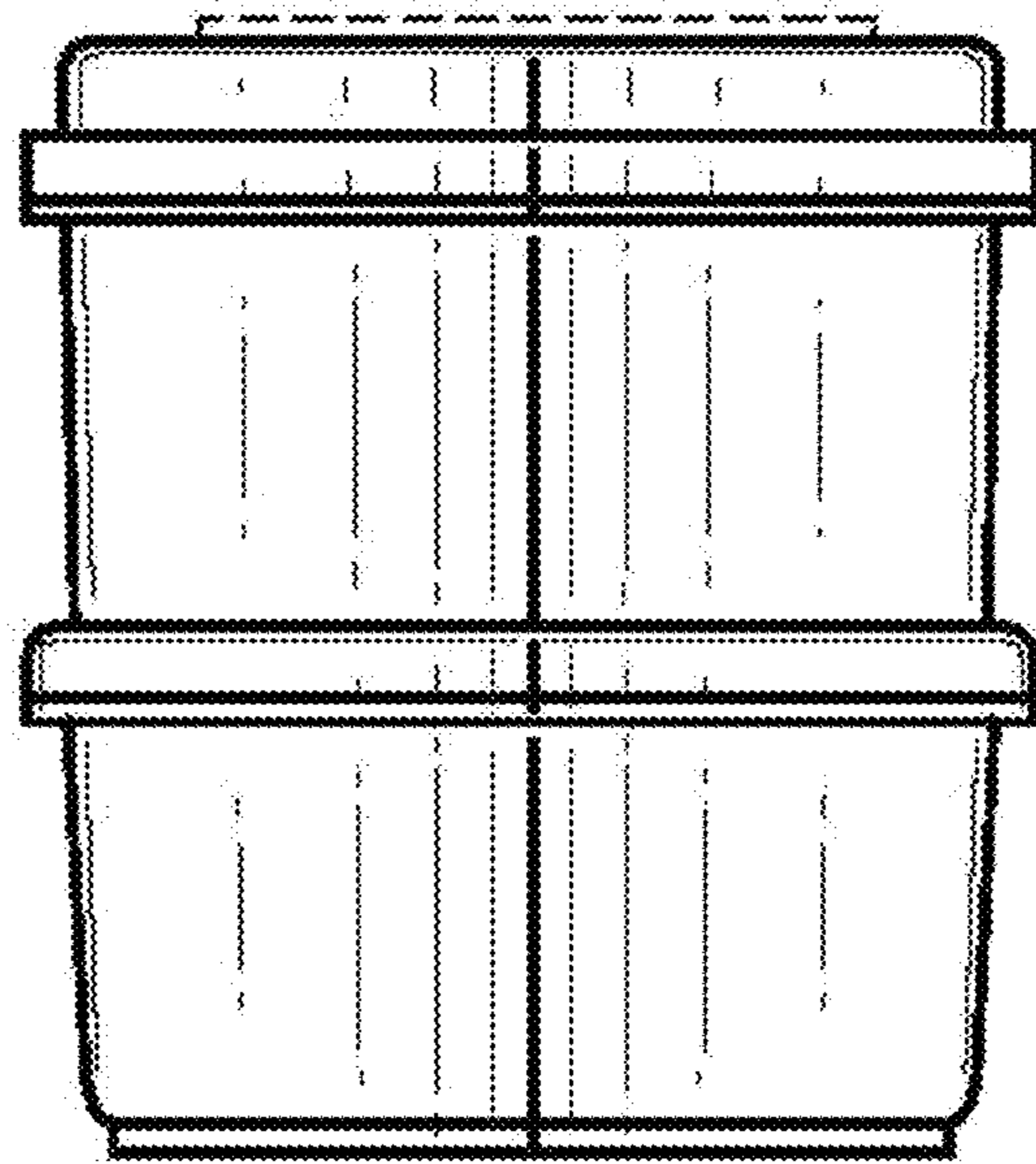


Figure 4

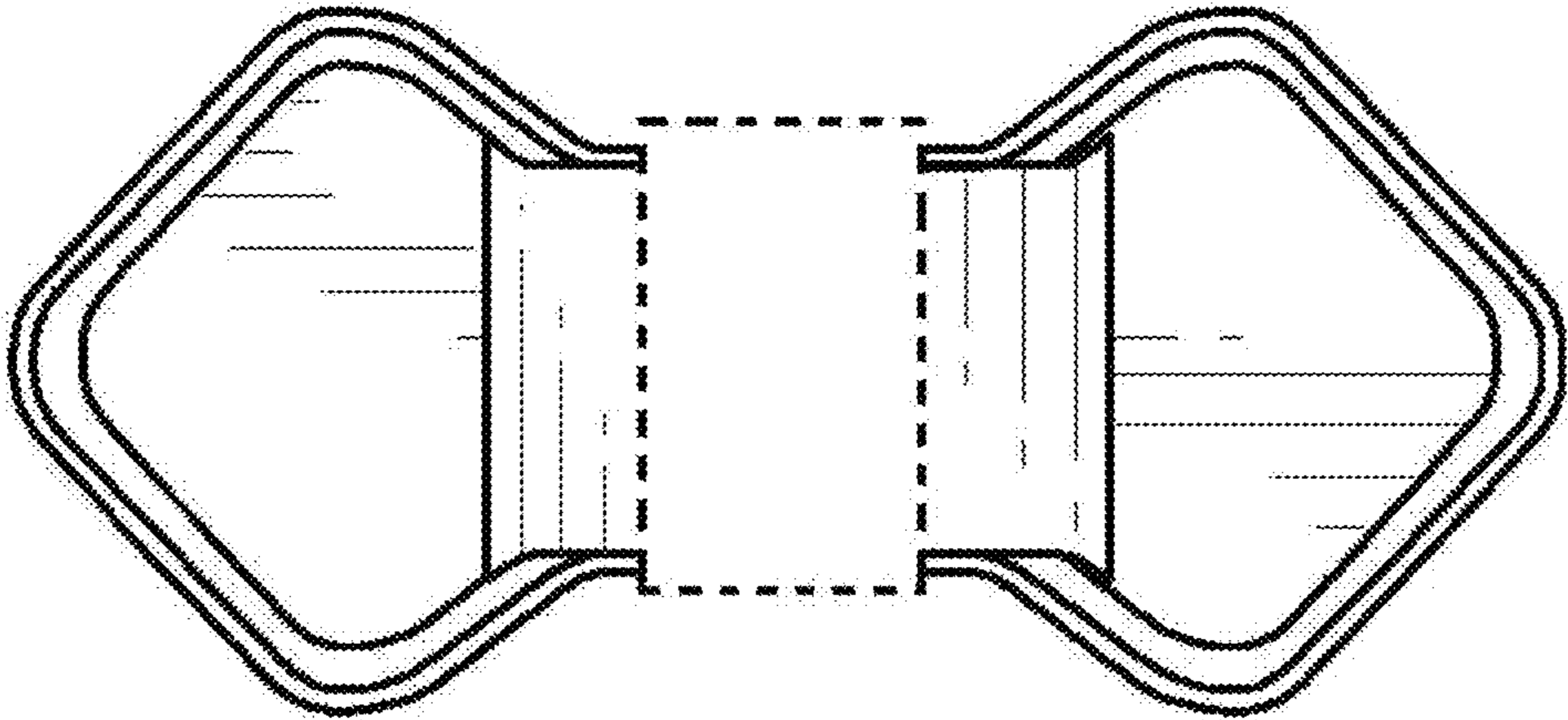


Figure 5