

US00D694582S

(12) **United States Design Patent**  
**Norland**

(10) **Patent No.:** **US D694,582 S**  
(45) **Date of Patent:** **\*\* Dec. 3, 2013**

(54) **BLENDER JAR**  
(71) Applicant: **Whirlpool Corporation**, Benton Harbor, MI (US)  
(72) Inventor: **Leif A. Norland**, Saint Joseph, MI (US)  
(73) Assignee: **Whirlpool Corporation**, Benton Harbor, MI (US)  
(\*\*) Term: **14 Years**

D488,344 S \* 4/2004 Seum et al. .... D7/384  
D502,047 S \* 2/2005 Ledingham et al. .... D7/384  
D526,531 S \* 8/2006 Drees et al. .... D7/378  
D533,395 S \* 12/2006 Drees et al. .... D7/378  
D552,412 S \* 10/2007 Steiner ..... D7/378  
D577,537 S \* 9/2008 Lee ..... D7/386  
7,581,688 B2 \* 9/2009 Mally ..... 241/30  
D605,462 S \* 12/2009 Picozza et al. .... D7/386  
D617,136 S \* 6/2010 Bock et al. .... D7/378  
D637,870 S \* 5/2011 Bock ..... D7/412  
D644,480 S \* 9/2011 Czach et al. .... D7/384

\* cited by examiner

(21) Appl. No.: **29/447,347**

*Primary Examiner* — Ricky Pham

(22) Filed: **Mar. 1, 2013**

(51) **LOC (9) Cl.** ..... **31-00**

(57) **CLAIM**

I claim the ornamental design for a blender jar, as shown and described.

(52) **U.S. Cl.**

USPC ..... **D7/413**; D7/376; D7/378; D7/412

**DESCRIPTION**

(58) **Field of Classification Search**

USPC ..... D7/301–313, 316–326, 356–357, 368, D7/372–386, 391–398, 412–415, 503, 515, D7/665–666, 679, 691–693; 99/280, 326, 99/348, 492, 508–512; 241/30–37.5, 98, 241/101.01–101.2, 166–169.1, 172, 272, 241/285.1–285.3, 291, 292.1; 366/64–67, 366/98, 129, 142–144, 192–211, 241–254, 366/262, 279–292, 325.8, 325.92, 366/341–347; 416/75–77, 70 R, 163  
See application file for complete search history.

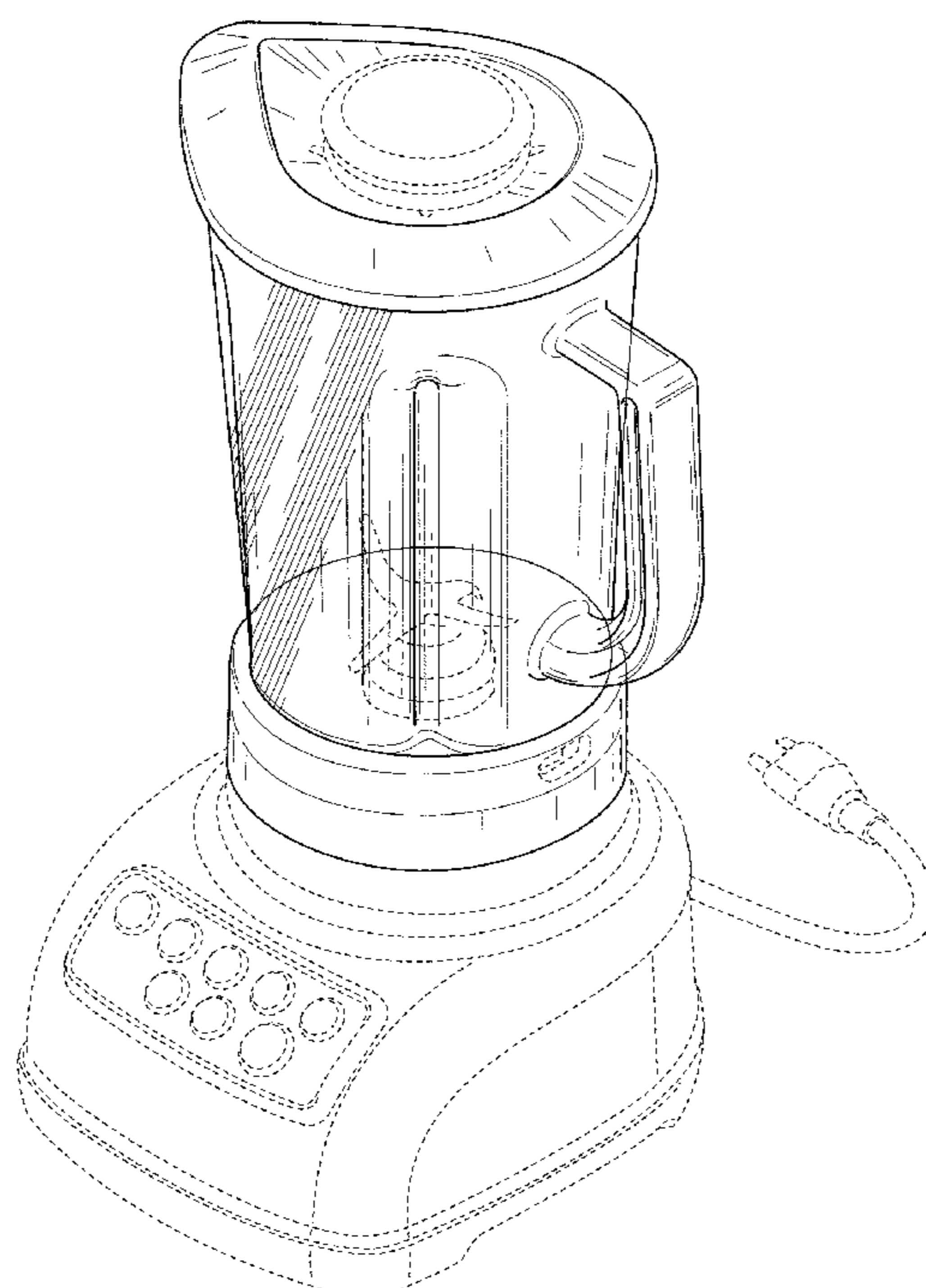
FIG. 1 is a top perspective view of a blender jar showing my new design;  
FIG. 2 is a first elevational view of the blender jar of FIG. 1;  
FIG. 3 is a second elevational view of the blender jar of FIG. 1;  
FIG. 4 is a third side elevational view of the blender jar of FIG. 1;  
FIG. 5 is a fourth side elevational view of the blender jar of FIG. 1;  
FIG. 6 is a top plan view of the blender jar of FIG. 1; and  
FIG. 7 is a bottom plan view of the blender jar of FIG. 1.  
The broken lines shown in the drawings are for illustrative purposes only and form no part of the claimed design.

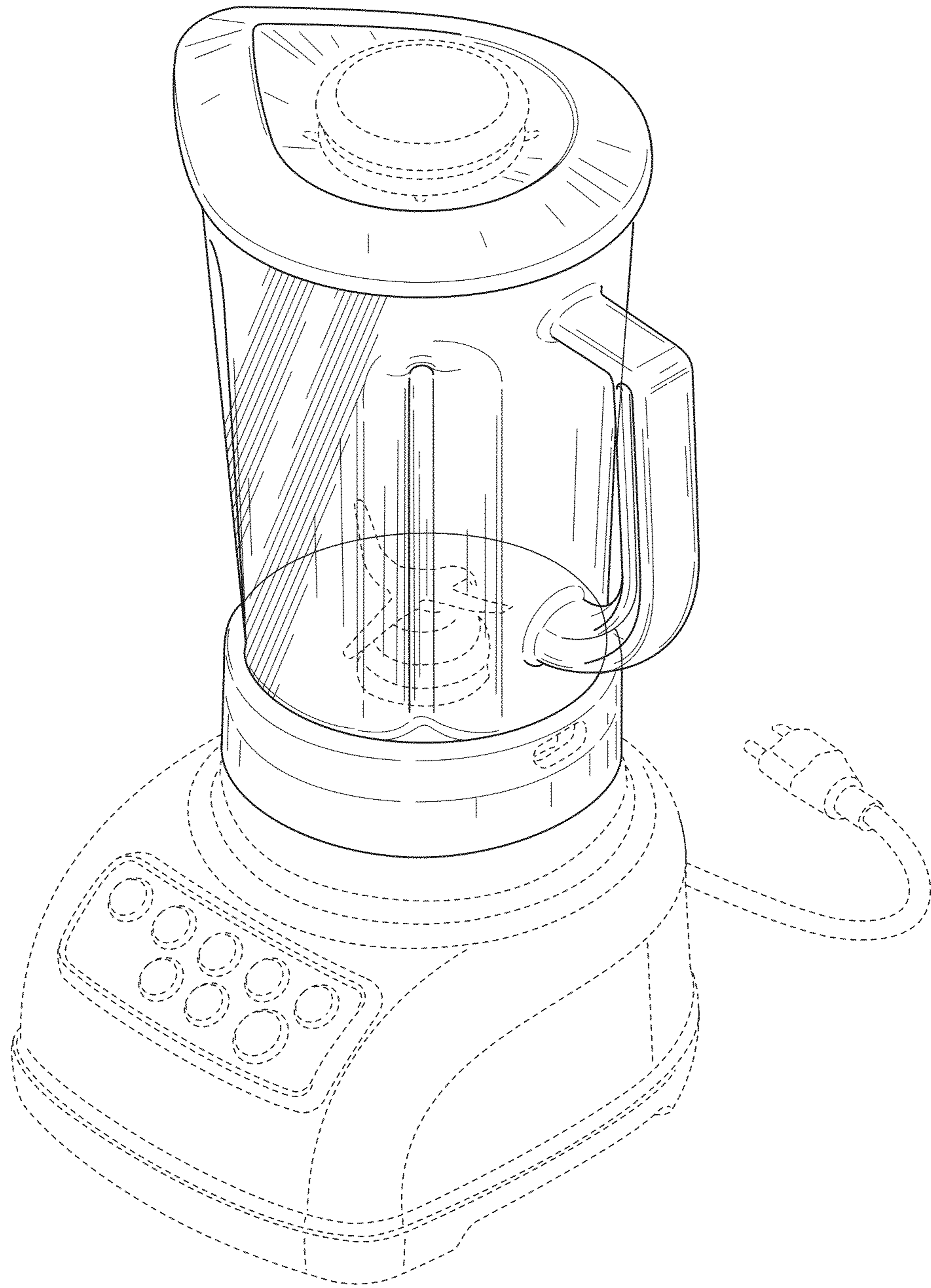
(56) **References Cited**

**U.S. PATENT DOCUMENTS**

D444,995 S \* 7/2001 Thackray ..... D7/386  
6,402,365 B1 \* 6/2002 Wong ..... 366/206

**1 Claim, 7 Drawing Sheets**





**FIG. 1**

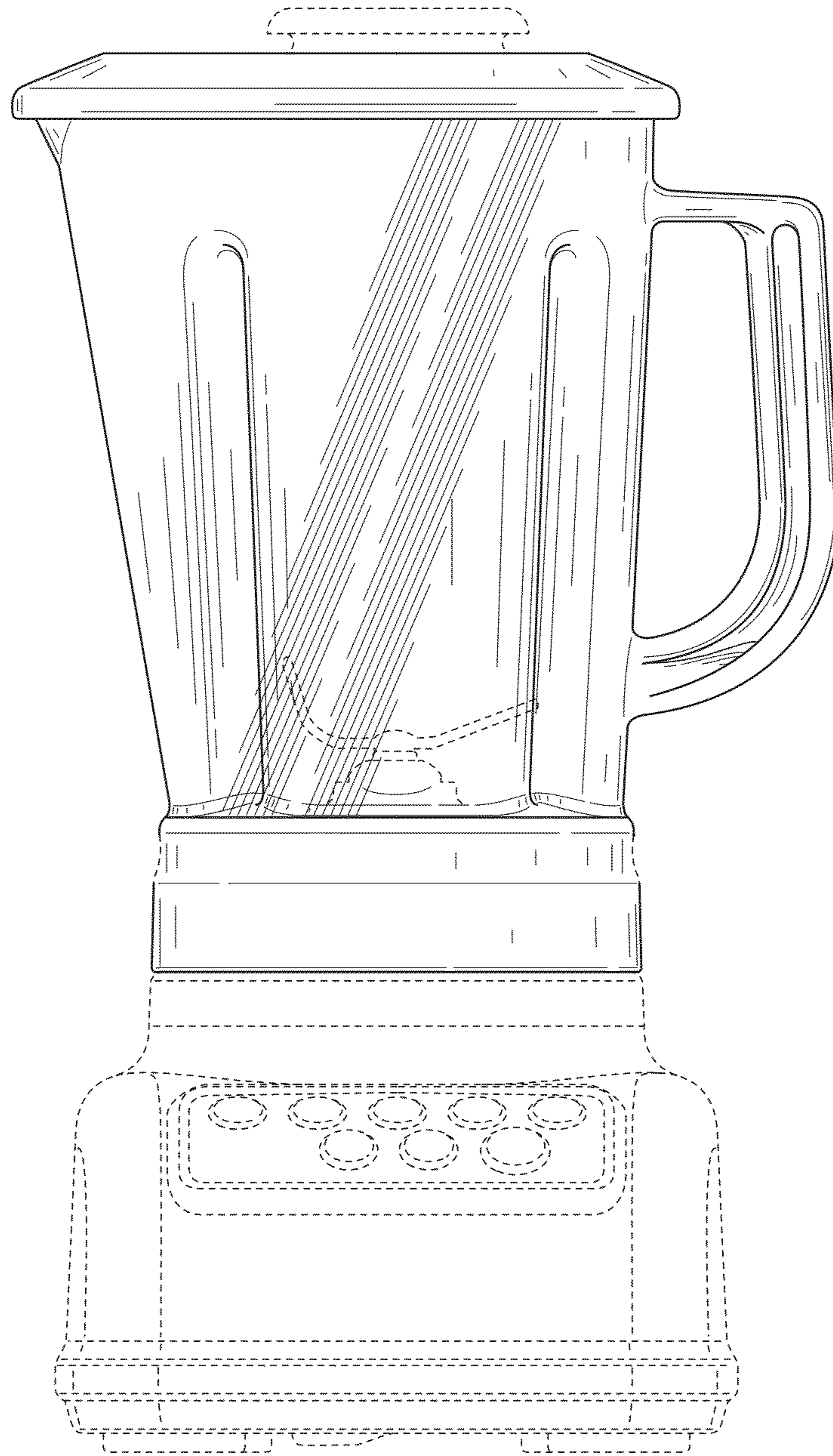
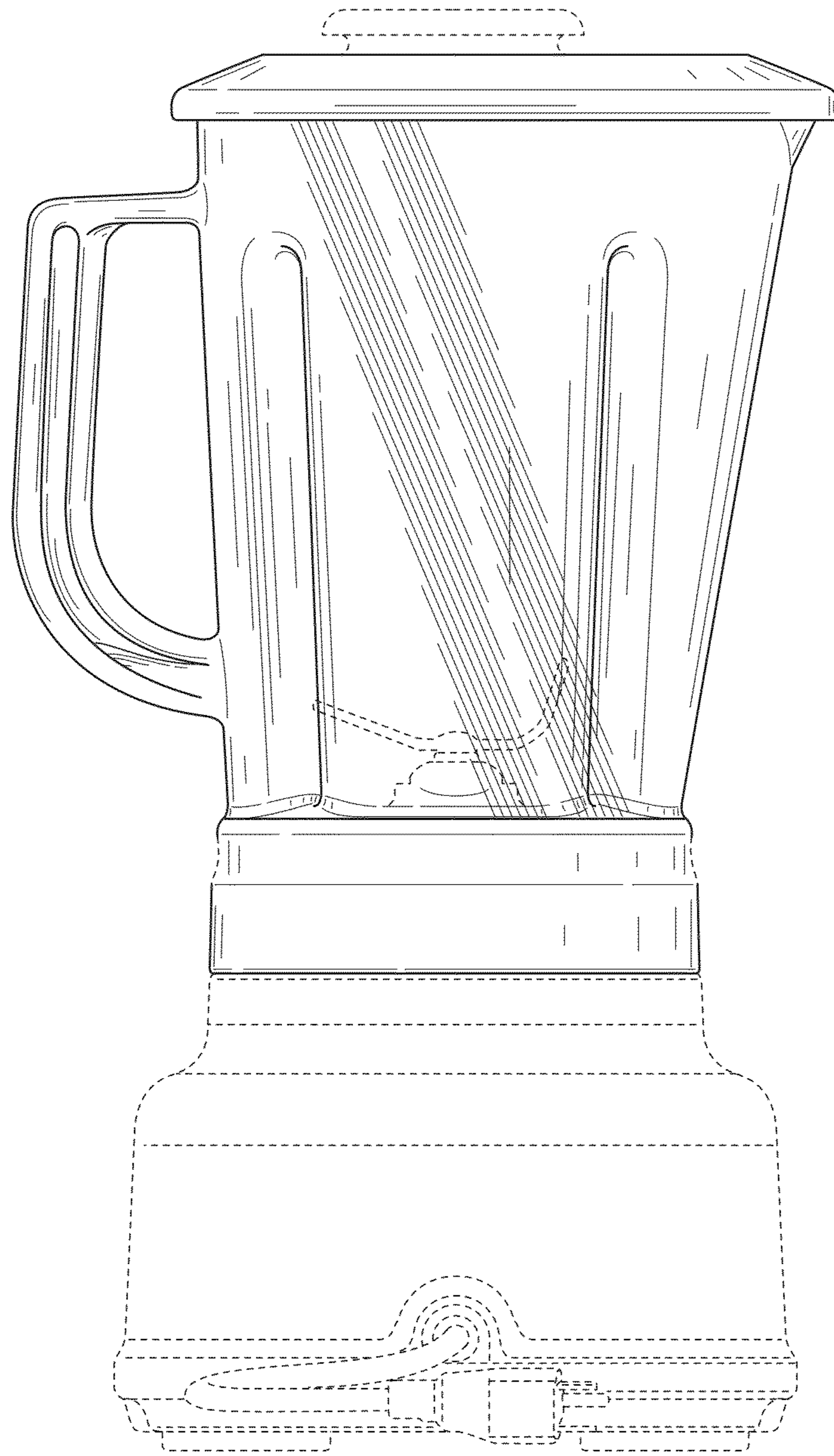


FIG. 2





**FIG. 3**

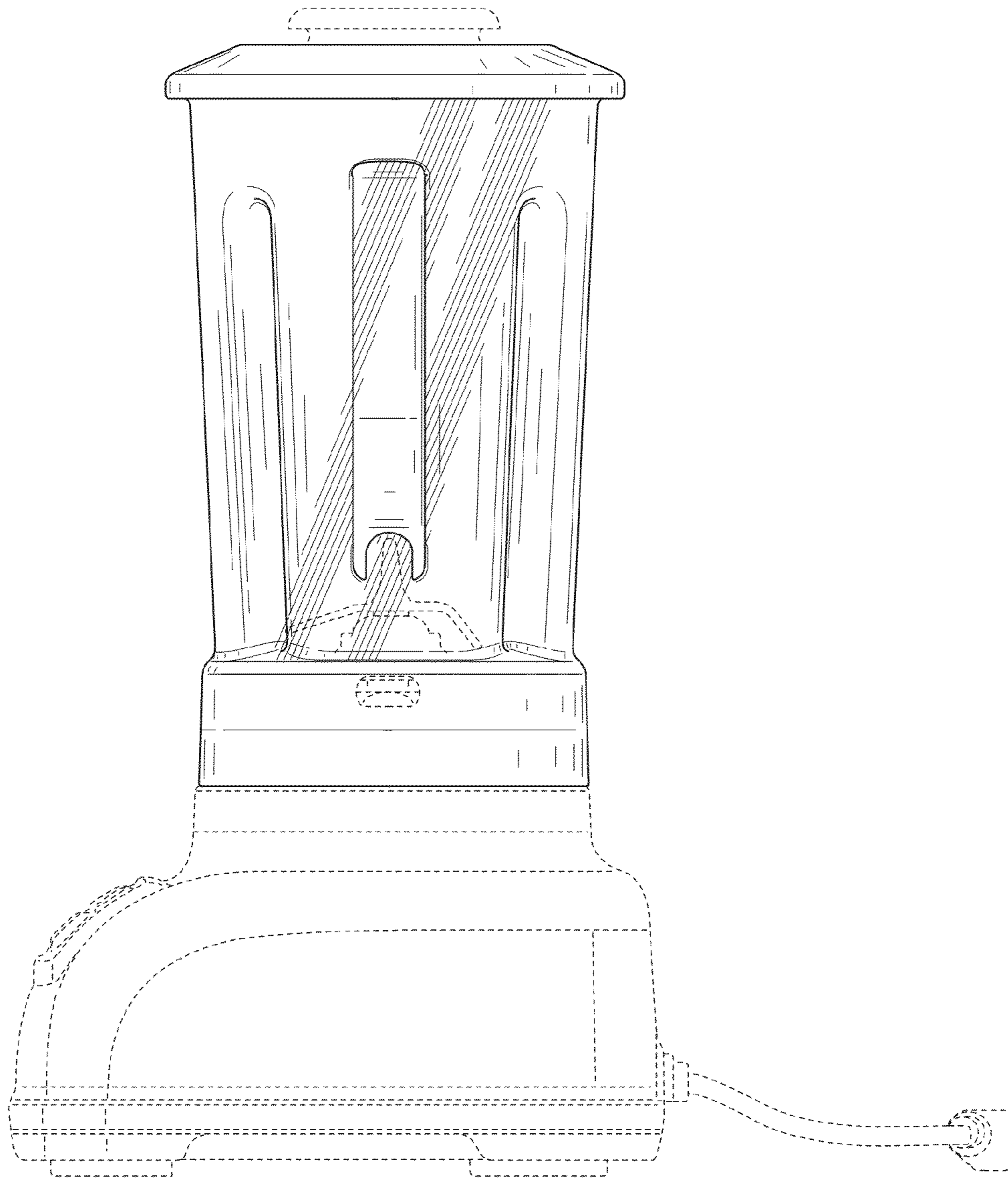


FIG. 4

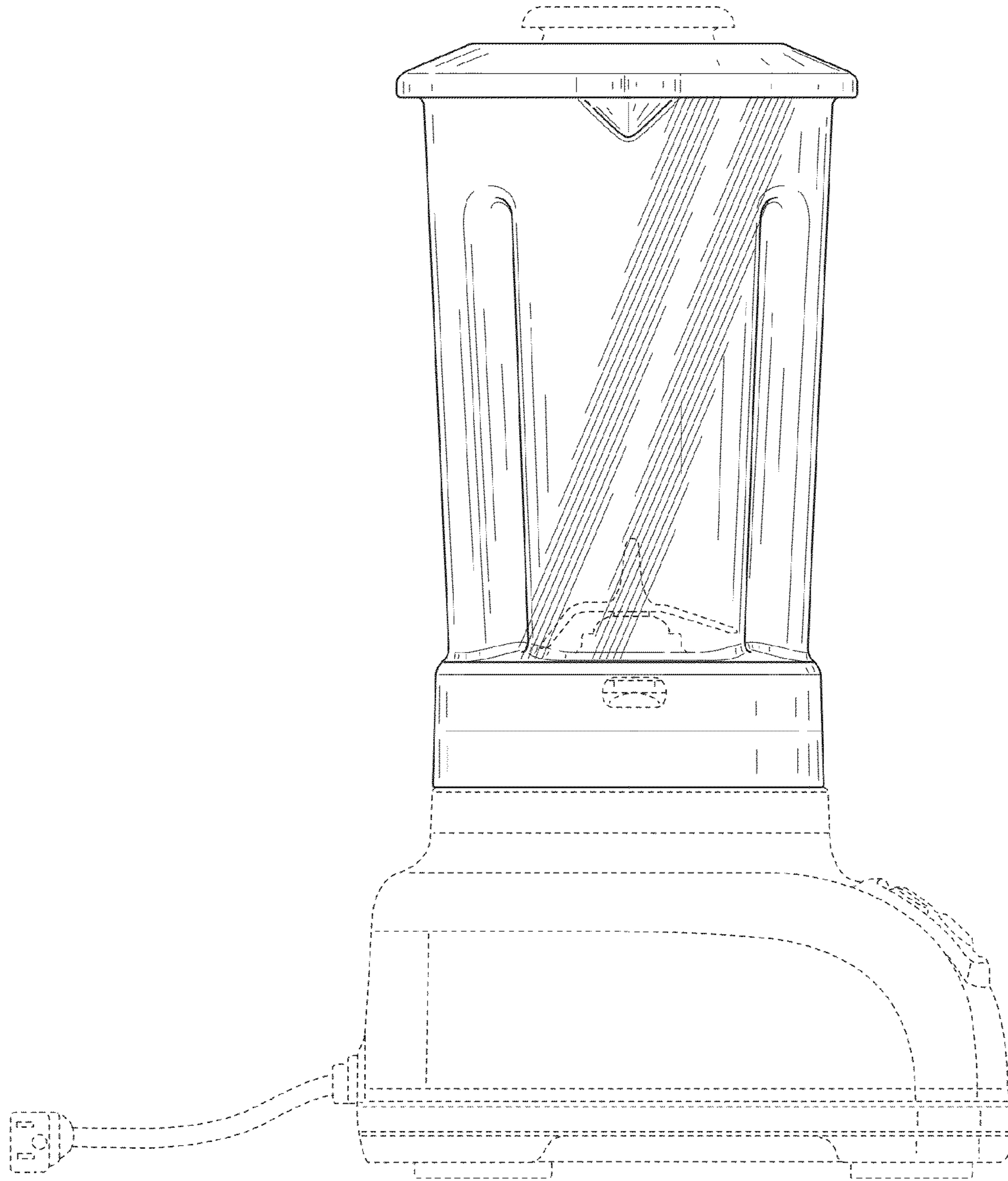


FIG. 5

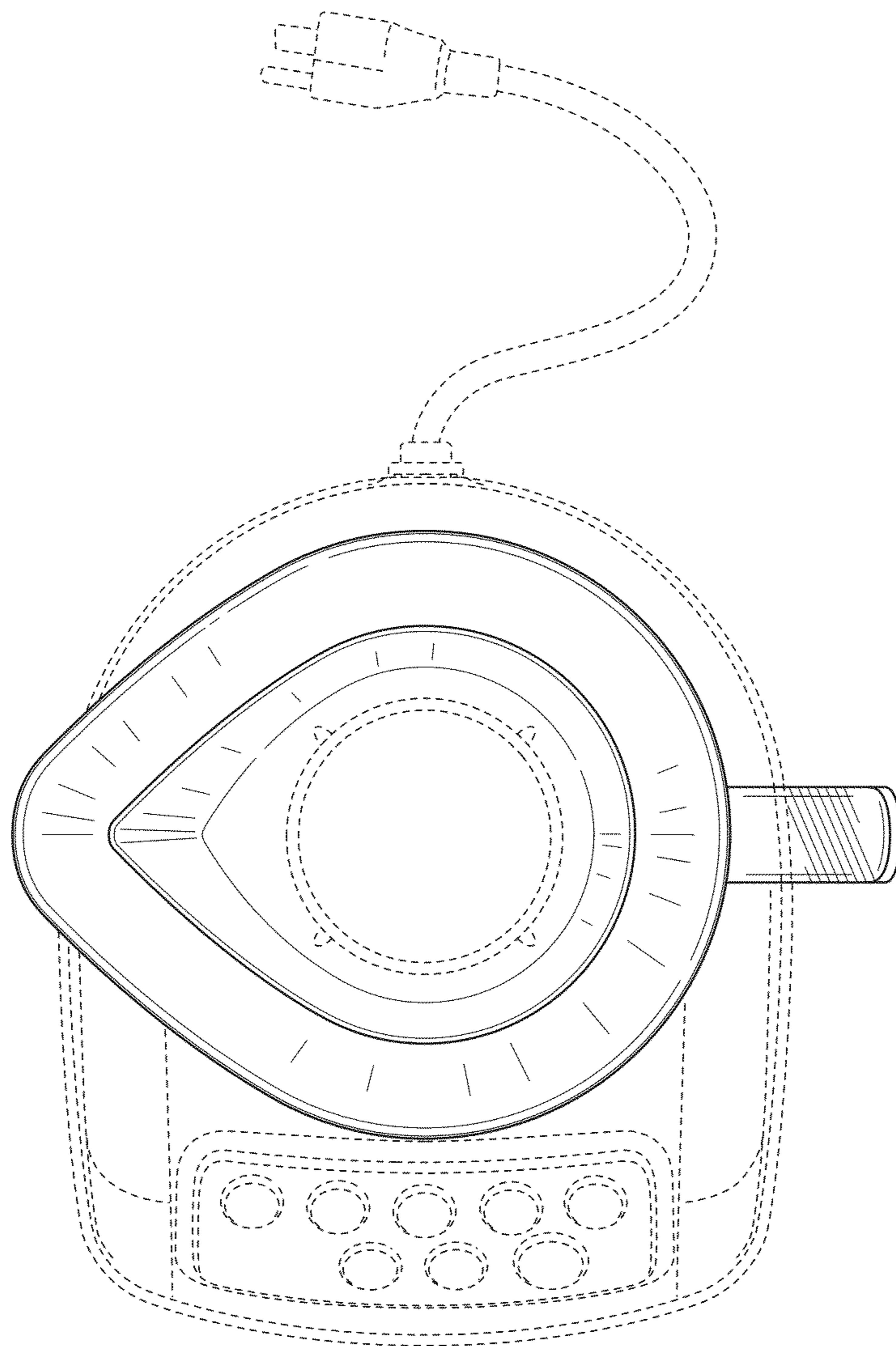


FIG. 6

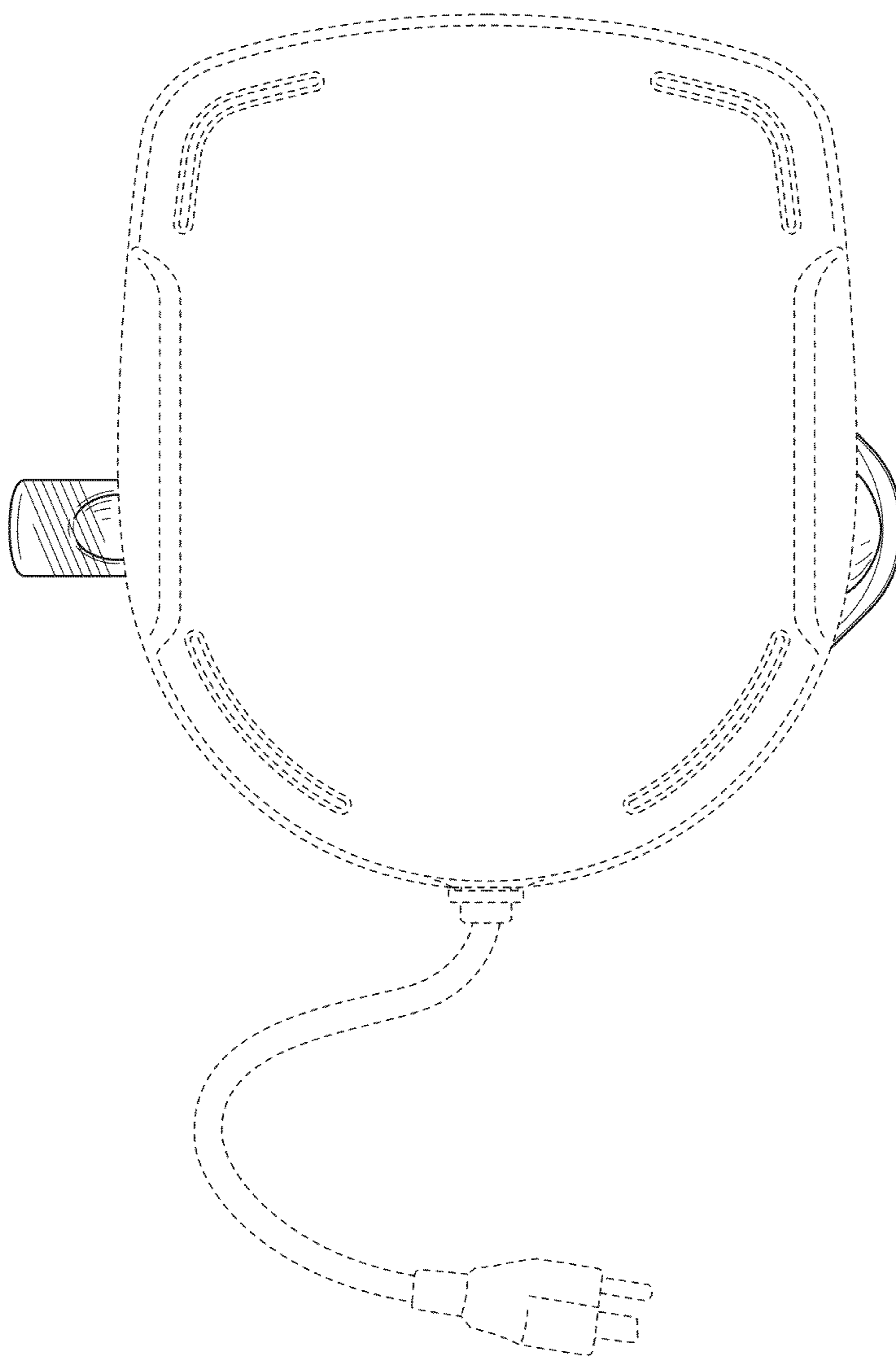


FIG. 7