



US00D694580S

(12) **United States Design Patent**
Cloutier et al.

(10) **Patent No.:** **US D694,580 S**
(45) **Date of Patent:** **** Dec. 3, 2013**

(54) **COOKING RACK WITH PIVOTING SUPPORTS AND SLIDE STOPS**

D538,106 S * 3/2007 Julian D7/409
D542,092 S * 5/2007 Raichlen et al. D7/409
D629,251 S * 12/2010 Tiemann D7/402

(71) Applicant: **Magellan Group, Ltd.**, Blaine, WA (US)

* cited by examiner

(72) Inventors: **Andre Dean Cloutier**, Blaine, WA (US);
Debra Lynne Sasken-Duff, Blaine, WA (US);
Adriana Collins, Blaine, WA (US)

Primary Examiner — T. Chase Nelson

Assistant Examiner — Mark Cavanna

(74) *Attorney, Agent, or Firm* — Dwayne E. Rogge; Schacht Law Office, Inc.

(73) Assignee: **Magellan Group, Ltd.**, Blaine, WA (US)

(57) **CLAIM**

The ornamental design for a cooking rack with pivoting supports and slide stops, as shown and described.

(**) Term: **14 Years**

DESCRIPTION

(21) Appl. No.: **29/433,545**

(22) Filed: **Oct. 1, 2012**

Related U.S. Application Data

(63) Continuation-in-part of application No. 29/408,589, filed on Dec. 14, 2011, now Pat. No. Des. 668,103.

(51) **LOC (9) Cl.** **07-02**

(52) **U.S. Cl.**
USPC **D7/402**

(58) **Field of Classification Search**
USPC D6/462-463, 513, 566, 323; D7/323, D7/329-332, 337, 339, 346-347, 354-363, D7/387, 391, 393, 395, 402, 408, 409, 411, D7/504, 404, 637-638, 601, 704, 669, D7/368; 220/485, 491, 573.1-573.5, 759, 220/912; 99/324-325, 331-332, 337-340, 99/355, 369, 403-419, 425-426, 444, 99/450; 211/41.2, 57.1, 74, 85.4, 106, 211/181.1

See application file for complete search history.

(56) **References Cited**

U.S. PATENT DOCUMENTS

D124,197 S * 12/1940 Lynch D7/409
D131,059 S * 1/1942 Lynch D7/409
2,360,026 A * 10/1944 Wall 99/426
D341,523 S * 11/1993 Tiemann D7/688

FIG. 1 is a perspective view of a first embodiment of a cooking rack with pivoting supports and slide stops showing our new design;

FIG. 2 is a front view thereof with the rear view being an identical image thereof;

FIG. 3 is a top view thereof;

FIG. 4 is a bottom view thereof;

FIG. 5 is a left side view thereof with the rack supports in a fully vertical position with the right side view being an identical image thereof;

FIG. 6 is a left side view thereof with the left five (5) rack supports tilted to a forward position, and the right two (2) rack supports tilted to a rearward position where the right side view is a mirror image thereof;

FIG. 7 is a perspective view thereof;

FIG. 8 is a perspective view of a second embodiment thereof;

FIG. 9 is a front view thereof with the rear view being an identical image thereof;

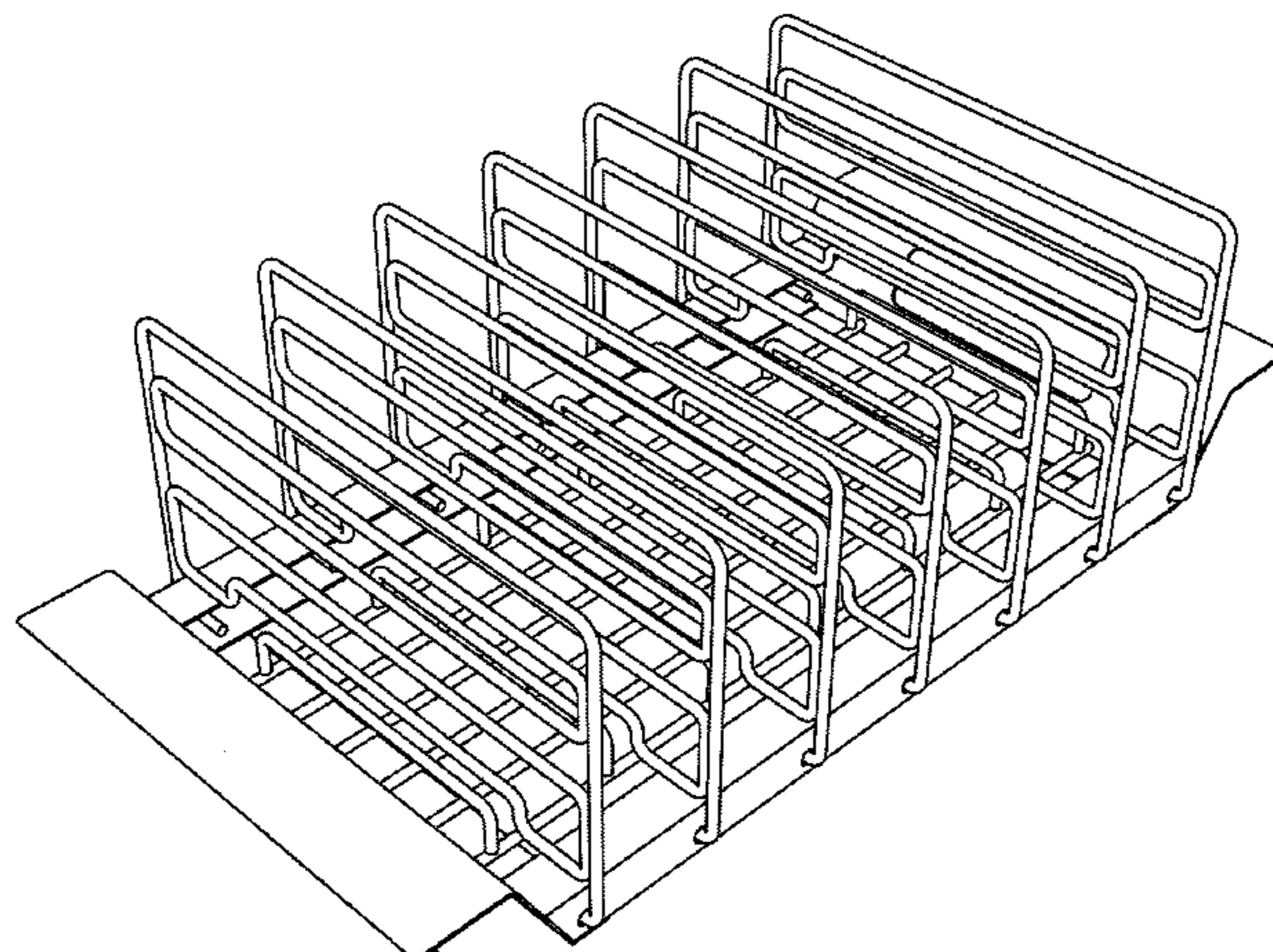
FIG. 10 is a top view thereof;

FIG. 11 is a bottom view thereof;

FIG. 12 is a left side view thereof with the rack supports in a fully vertical position with the right side view being an identical image thereof; and,

FIG. 13 is a left side view thereof with the left five (5) rack supports tilted to a forward position, and the right two (2) rack supports tilted to a rearward position where the right side view is a mirror image thereof.

1 Claim, 13 Drawing Sheets



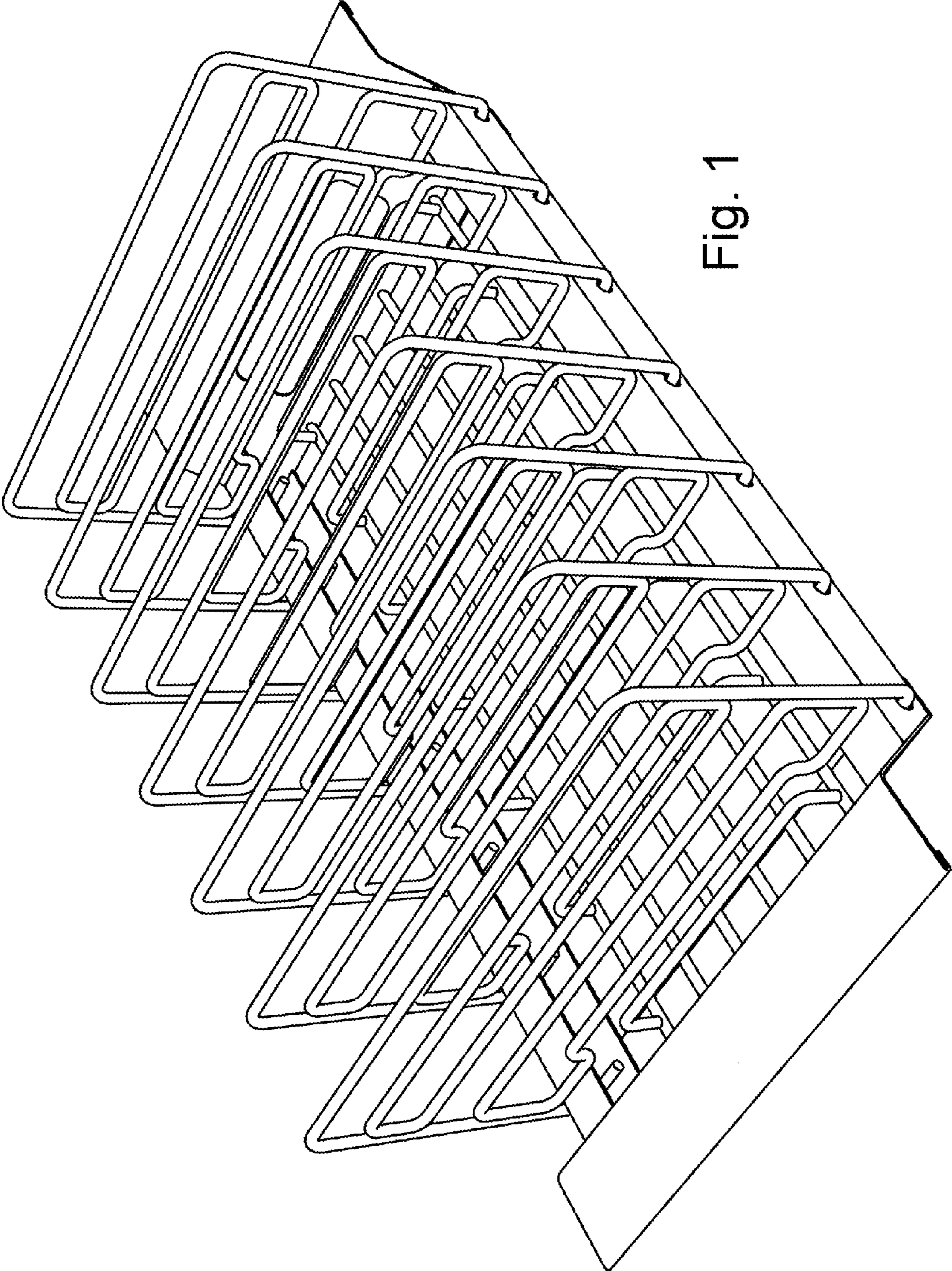


Fig. 1

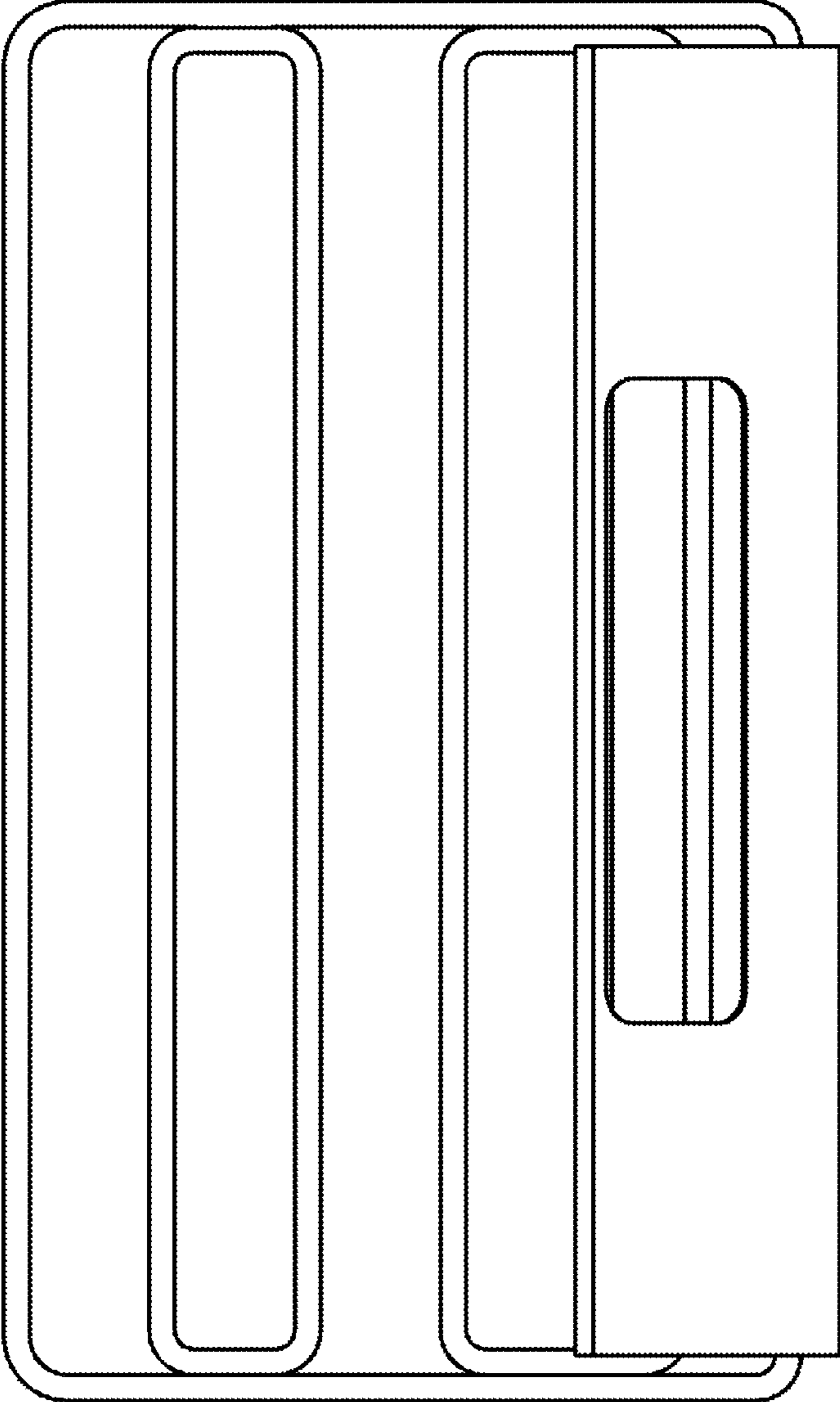


Fig. 2

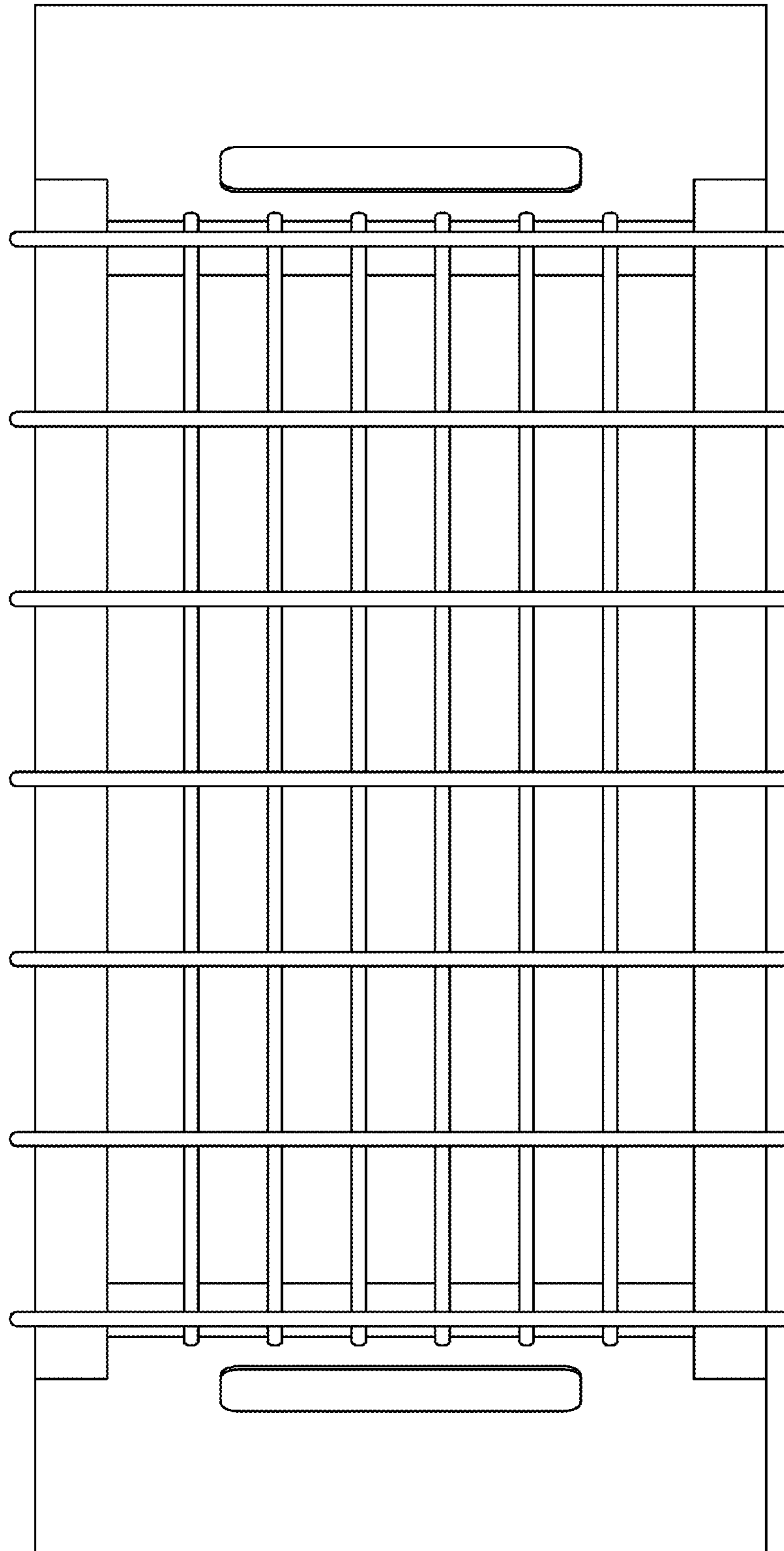


Fig. 3

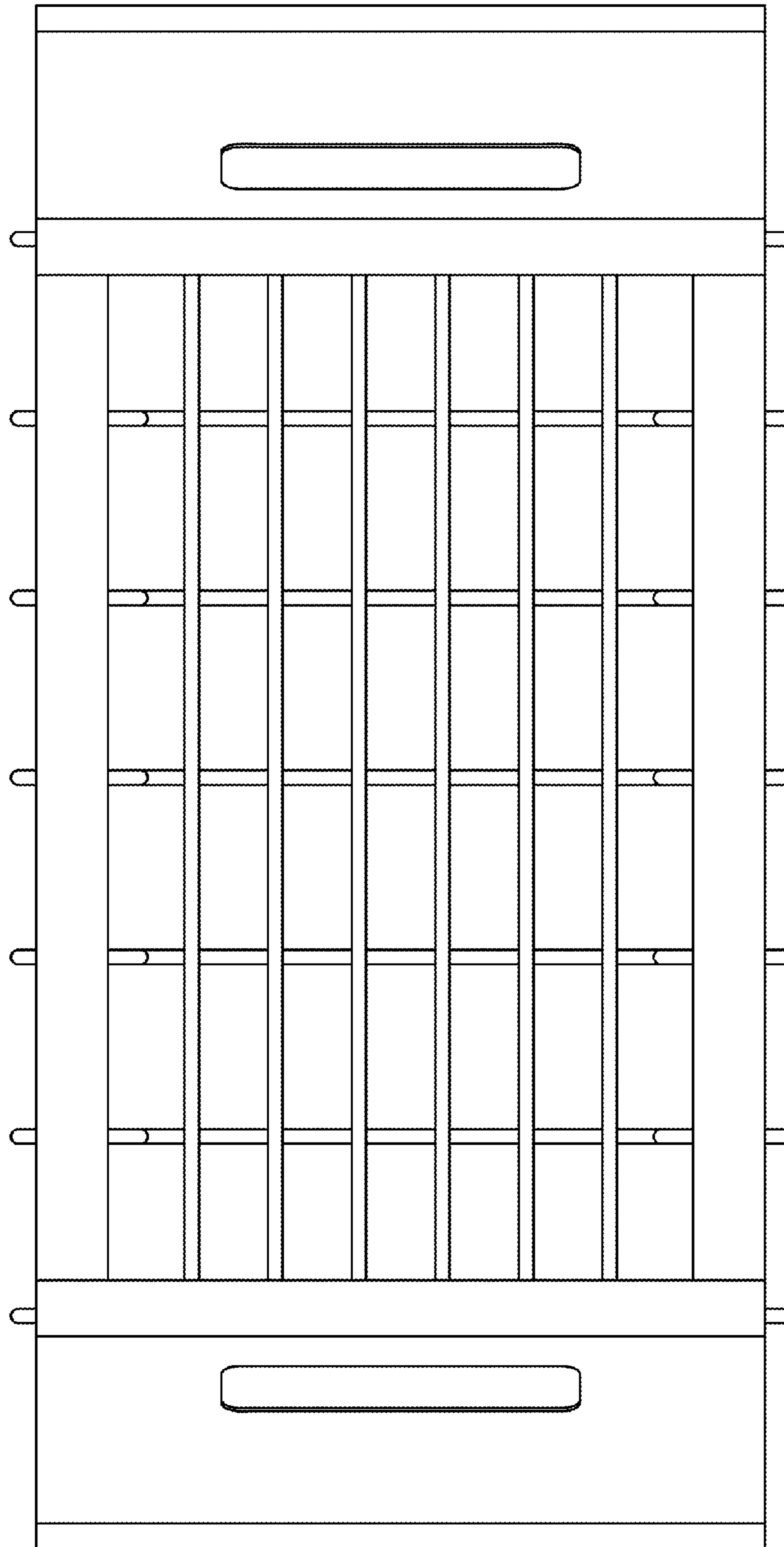


Fig. 4

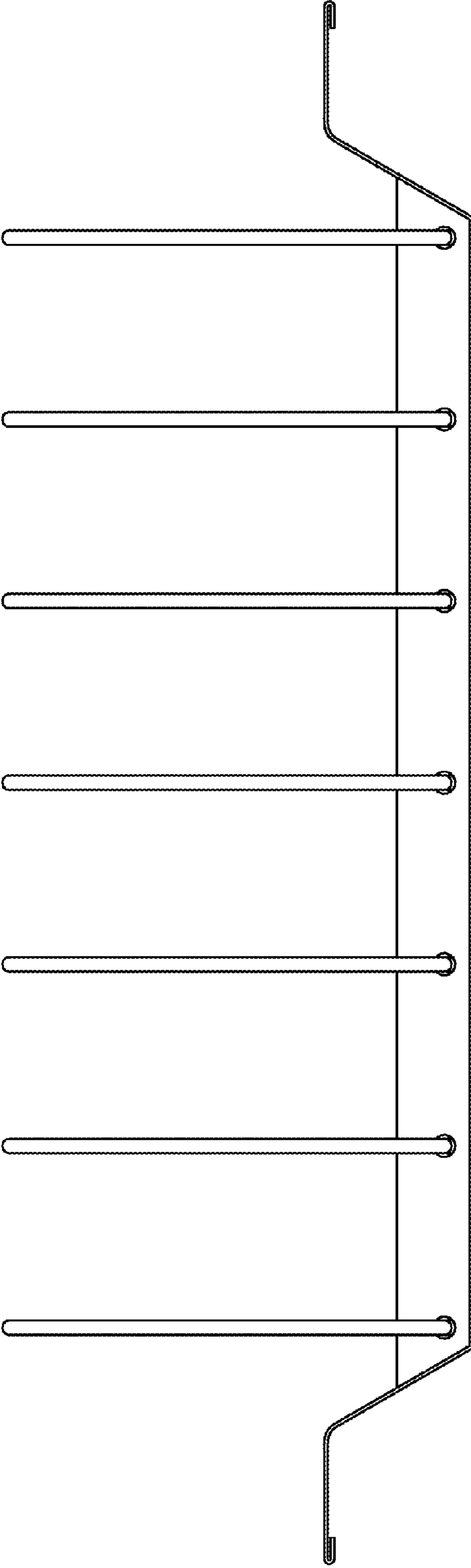


Fig. 5

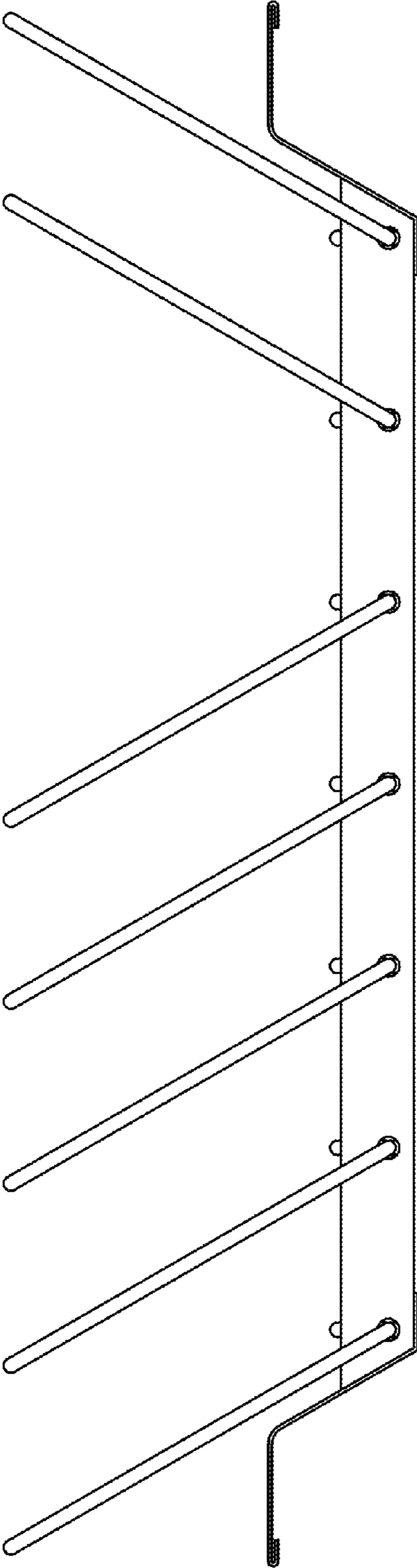


Fig. 6

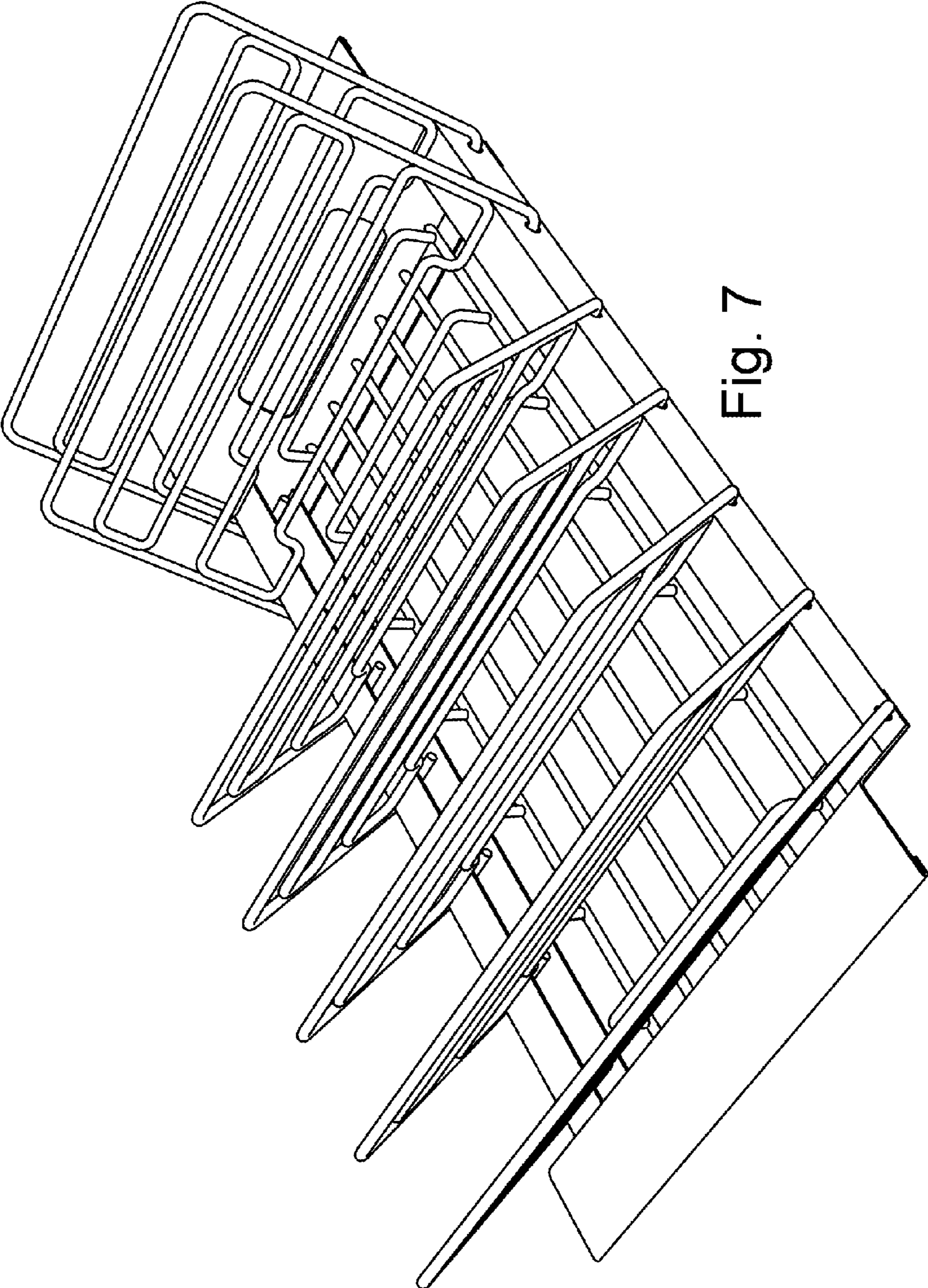


Fig. 7

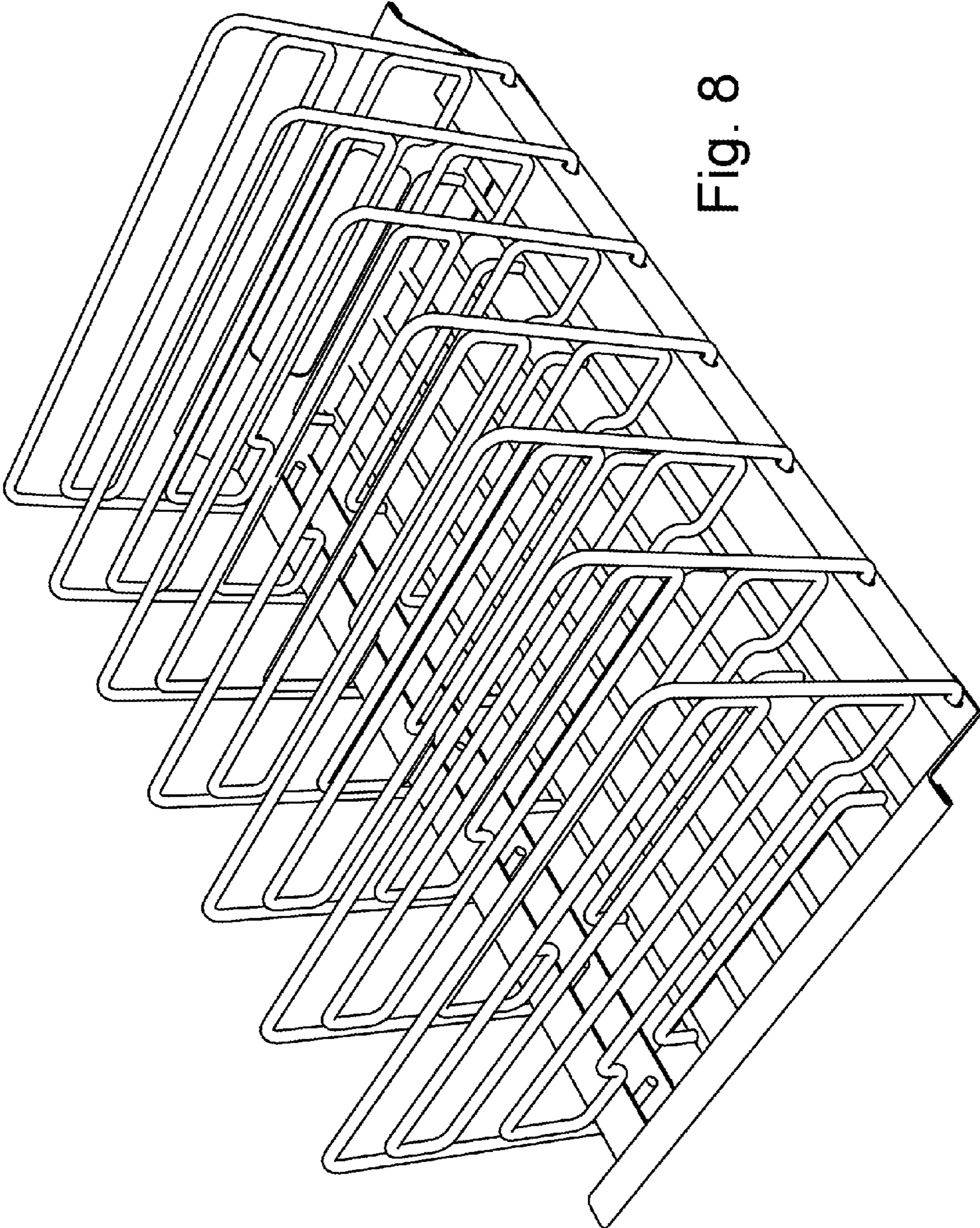


Fig. 8

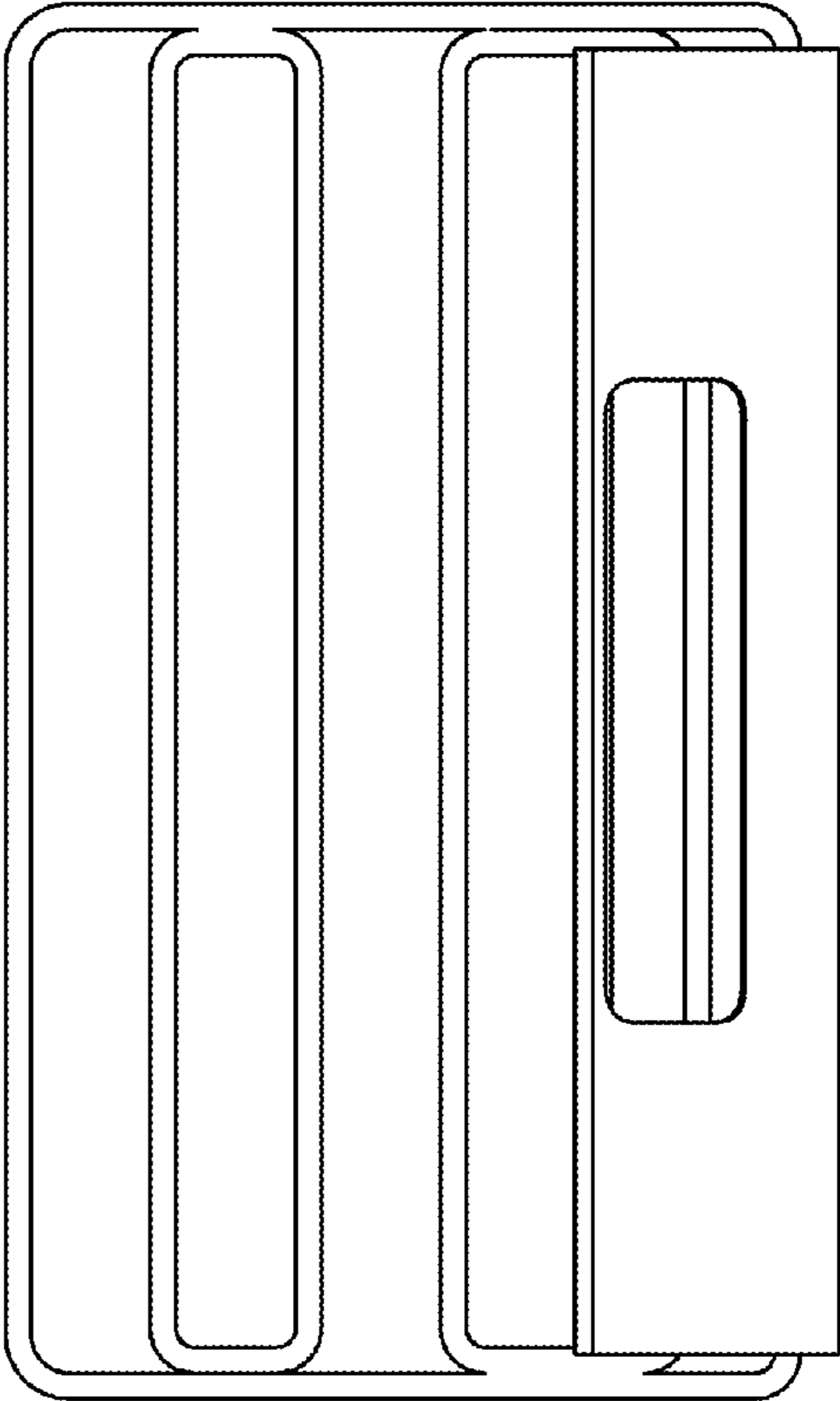


Fig. 9

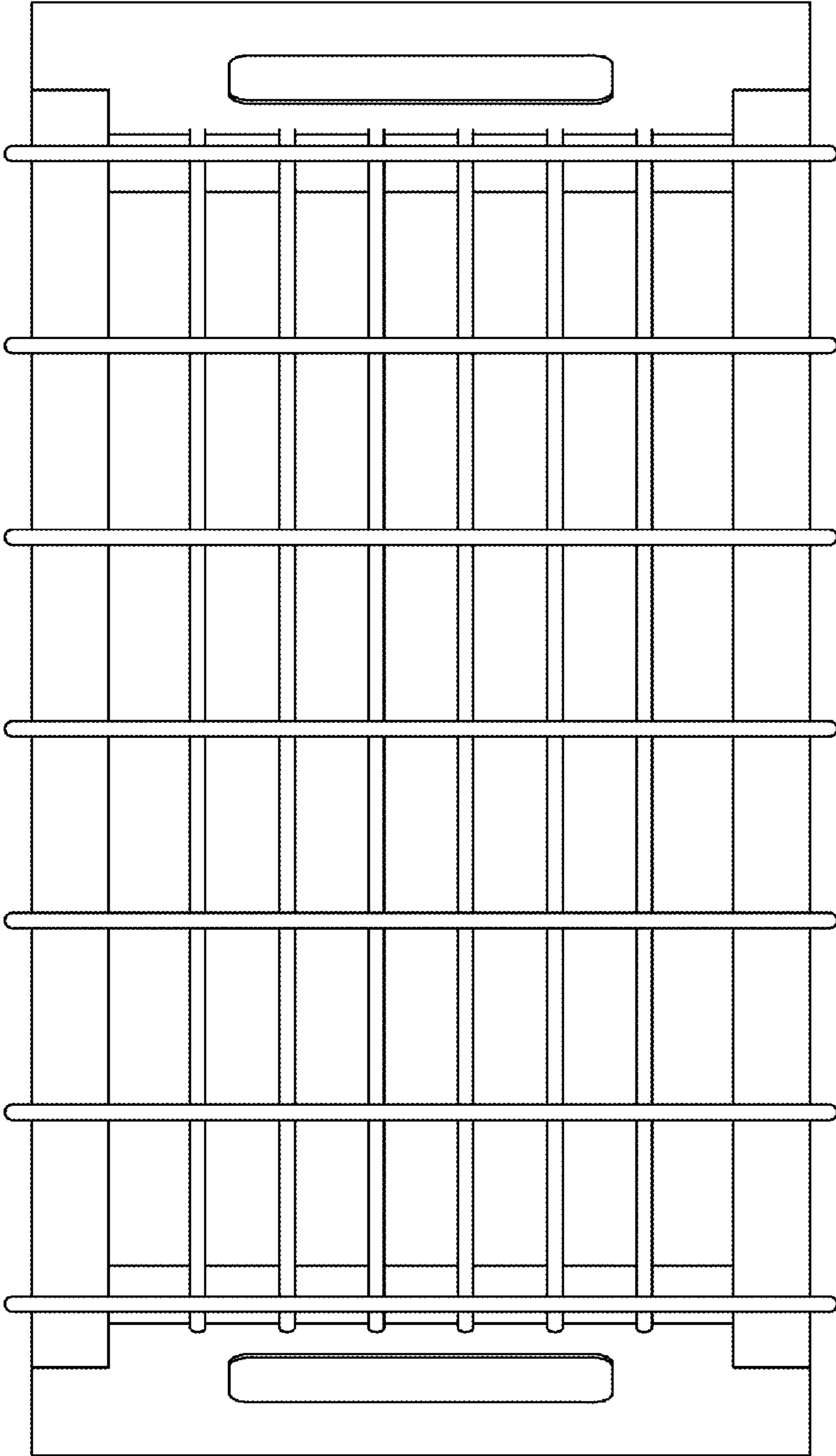


Fig. 10

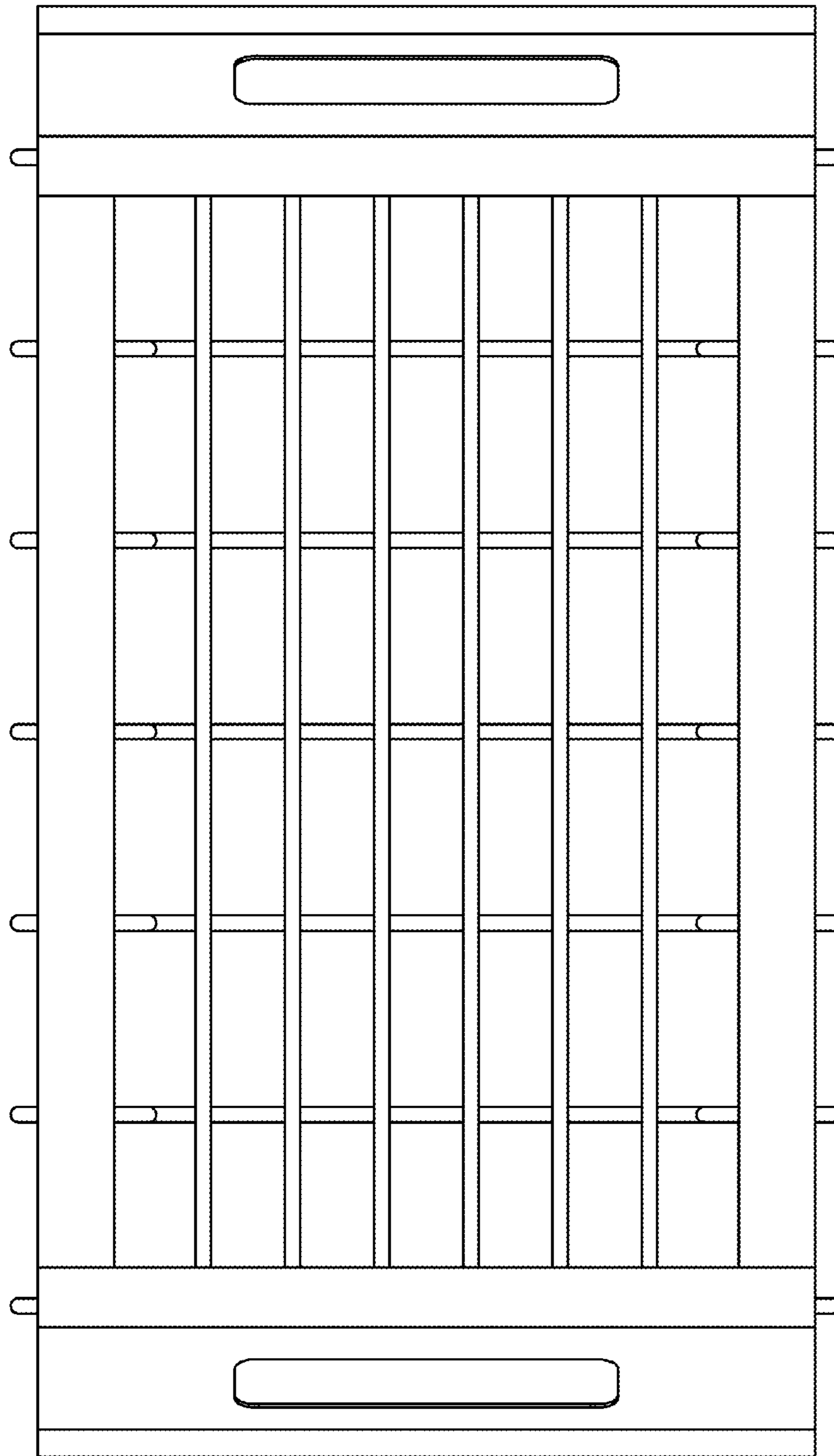


Fig. 11

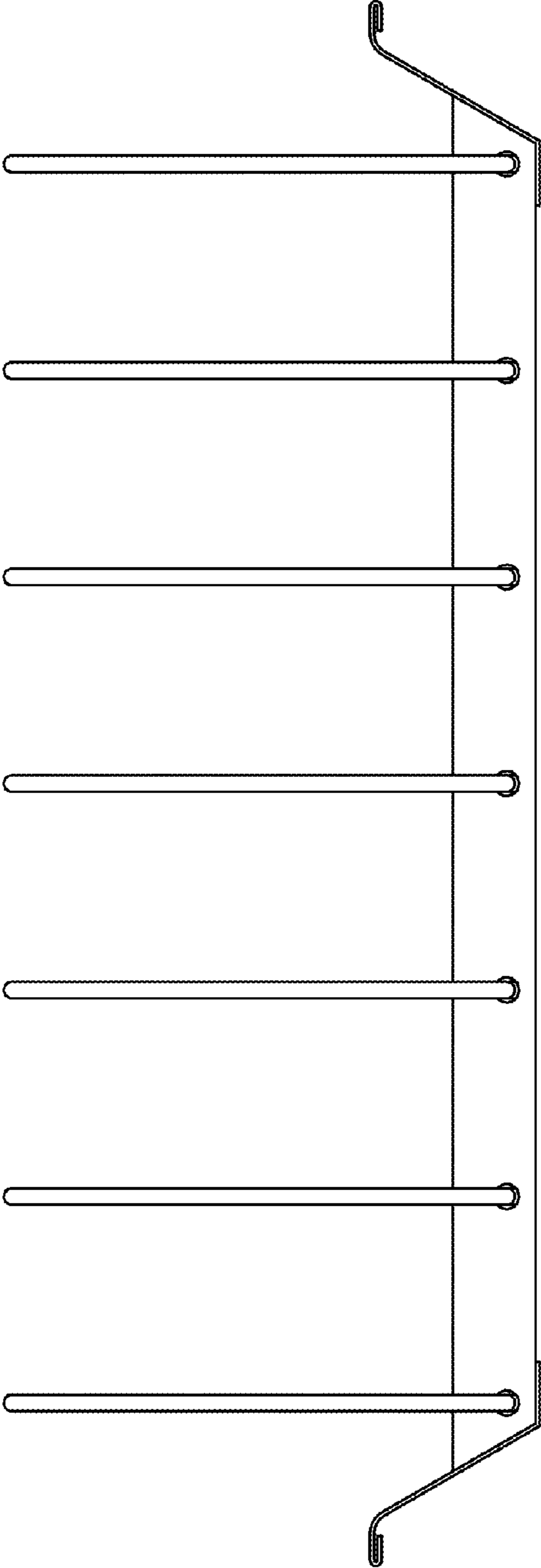


Fig. 12

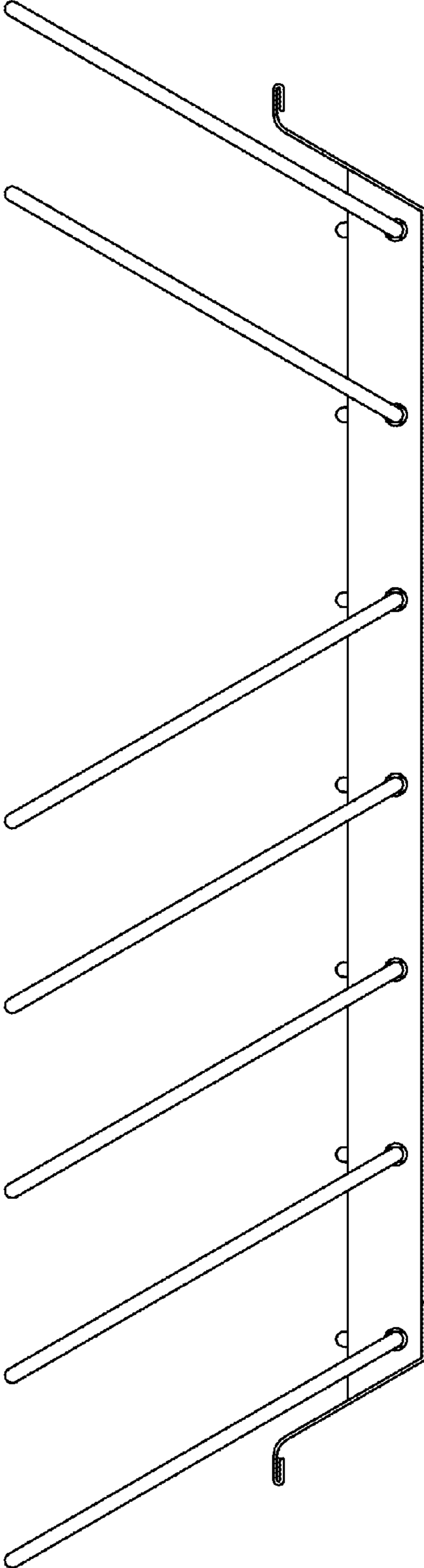


Fig. 13