



US00D694573S

(12) **United States Design Patent**
Norland et al.

(10) **Patent No.:** **US D694,573 S**

(45) **Date of Patent:** **** Dec. 3, 2013**

(54) **BLENDER BASE**

(56) **References Cited**

(71) Applicant: **Whirlpool Corporation**, Benton Harbor, MI (US)

U.S. PATENT DOCUMENTS

(72) Inventors: **Leif A. Norland**, Saint Joseph, MI (US);
Brandon T. Mock, Saint Joseph, MI (US)

D444,995	S	*	7/2001	Thackray	D7/386
6,402,365	B1	*	6/2002	Wong	366/206
D488,344	S	*	4/2004	Seum et al.	D7/384
D502,047	S	*	2/2005	Ledingham et al.	D7/384
D526,531	S	*	8/2006	Drees et al.	D7/378
D533,395	S	*	12/2006	Drees et al.	D7/378
D552,412	S	*	10/2007	Steiner	D7/378
D577,537	S	*	9/2008	Lee	D7/386
7,581,688	B2	*	9/2009	Mally	241/30
D605,462	S	*	12/2009	Picozza et al.	D7/386
D617,136	S	*	6/2010	Bock et al.	D7/378
D637,870	S	*	5/2011	Bock	D7/412
D644,480	S	*	9/2011	Czach et al.	D7/384

(73) Assignee: **Whirlpool Corporation**, Benton Harbor, MI (US)

(**) Term: **14 Years**

* cited by examiner

(21) Appl. No.: **29/447,345**

Primary Examiner — Ricky Pham

(22) Filed: **Mar. 1, 2013**

(57) **CLAIM**

(51) **LOC (9) Cl.** **31-00**

We claim the ornamental design for a blender base, as shown and described.

(52) **U.S. Cl.**

DESCRIPTION

USPC **D7/386; D7/376; D7/378; D7/412**

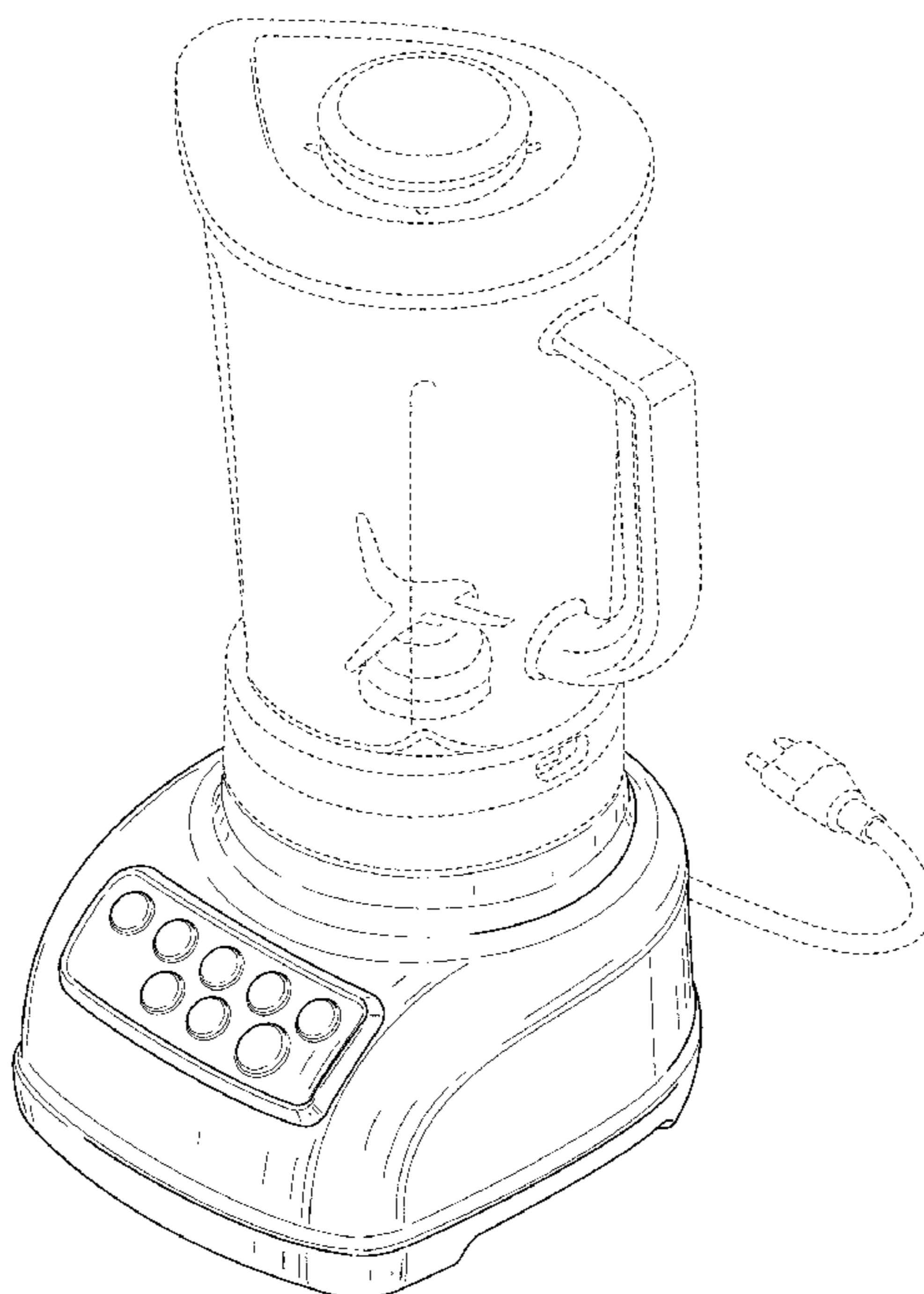
(58) **Field of Classification Search**

USPC D7/301-313, 316-326, 356-357, 368, D7/372-386, 391-398, 412-415, 503, 515, D7/665-666, 679, 691-693; 99/280, 326, 99/348, 492, 508-512; 241/30-37.5, 98, 241/101.01-101.2, 166-169.1, 172, 272, 241/285.1-285.3, 291, 292.1; 366/64-67, 366/98, 129, 142-144, 192-211, 241-254, 366/262, 279-292, 325.8, 325.92, 366/341-347; 416/75-77, 70 R, 163

FIG. 1 is a top perspective view of a blender base showing our new design;
FIG. 2 is a front elevational view of the blender base of FIG. 1;
FIG. 3 is a rear elevational view of the blender base of FIG. 1;
FIG. 4 is a first side elevational view of the blender base of FIG. 1;
FIG. 5 is a second side elevational view of the blender base of FIG. 1;
FIG. 6 is a top plan view of the blender base of FIG. 1; and,
FIG. 7 is a bottom plan view of the blender base of FIG. 1.
The broken lines shown in the drawings are for illustrative purposes only and form no part of the claimed design.

See application file for complete search history.

1 Claim, 7 Drawing Sheets



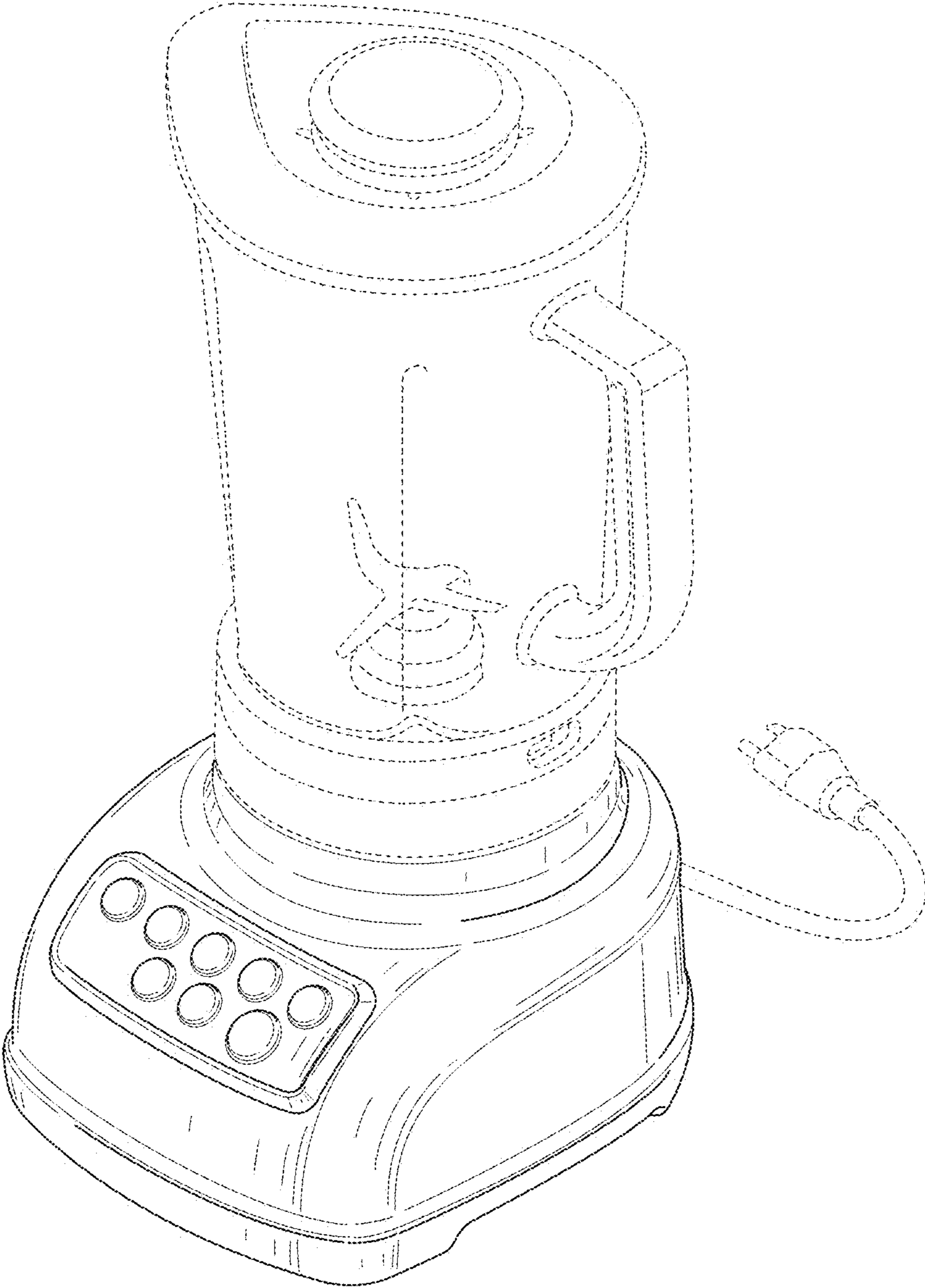


FIG. 1

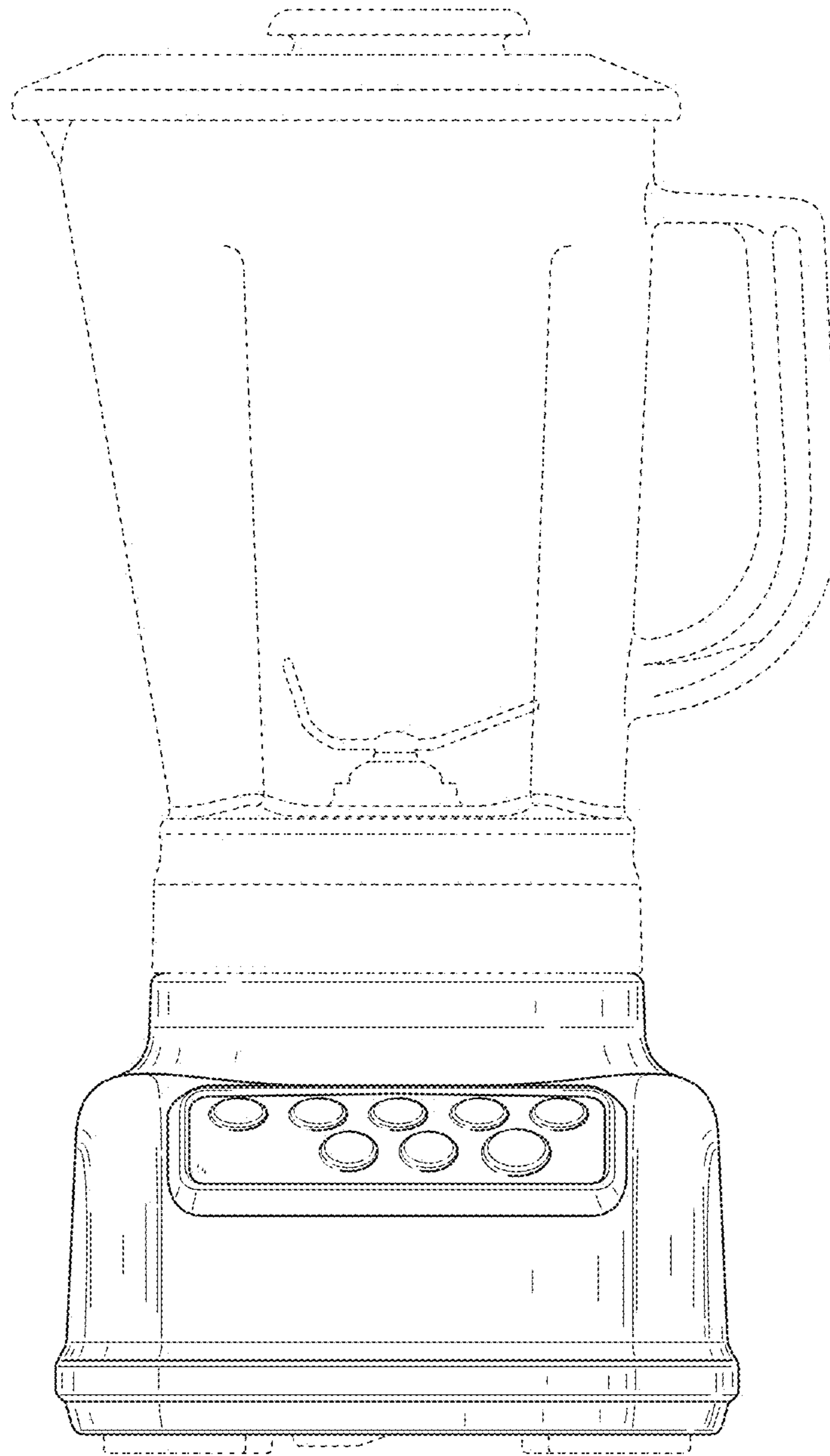


FIG. 2

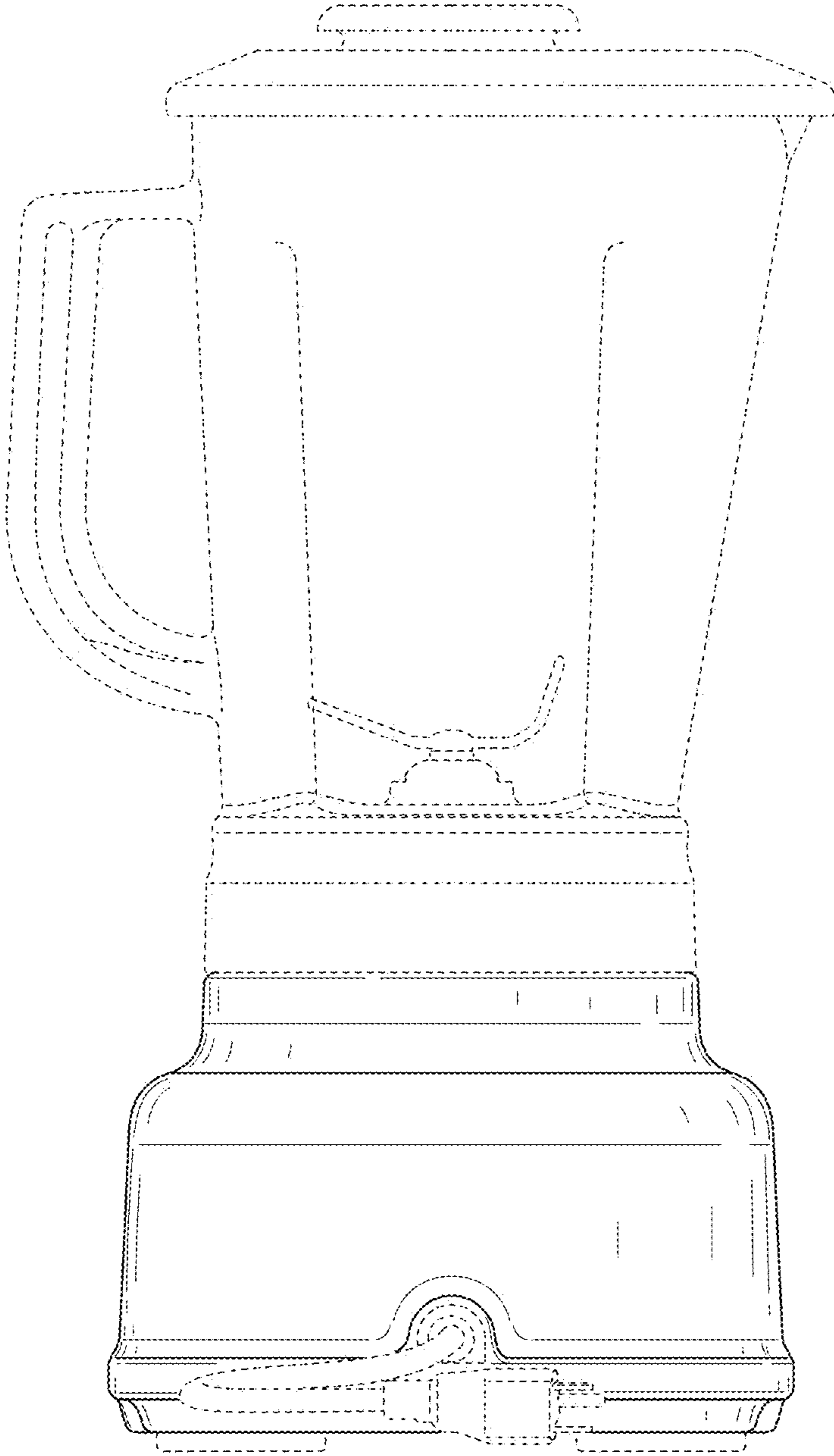


FIG. 3

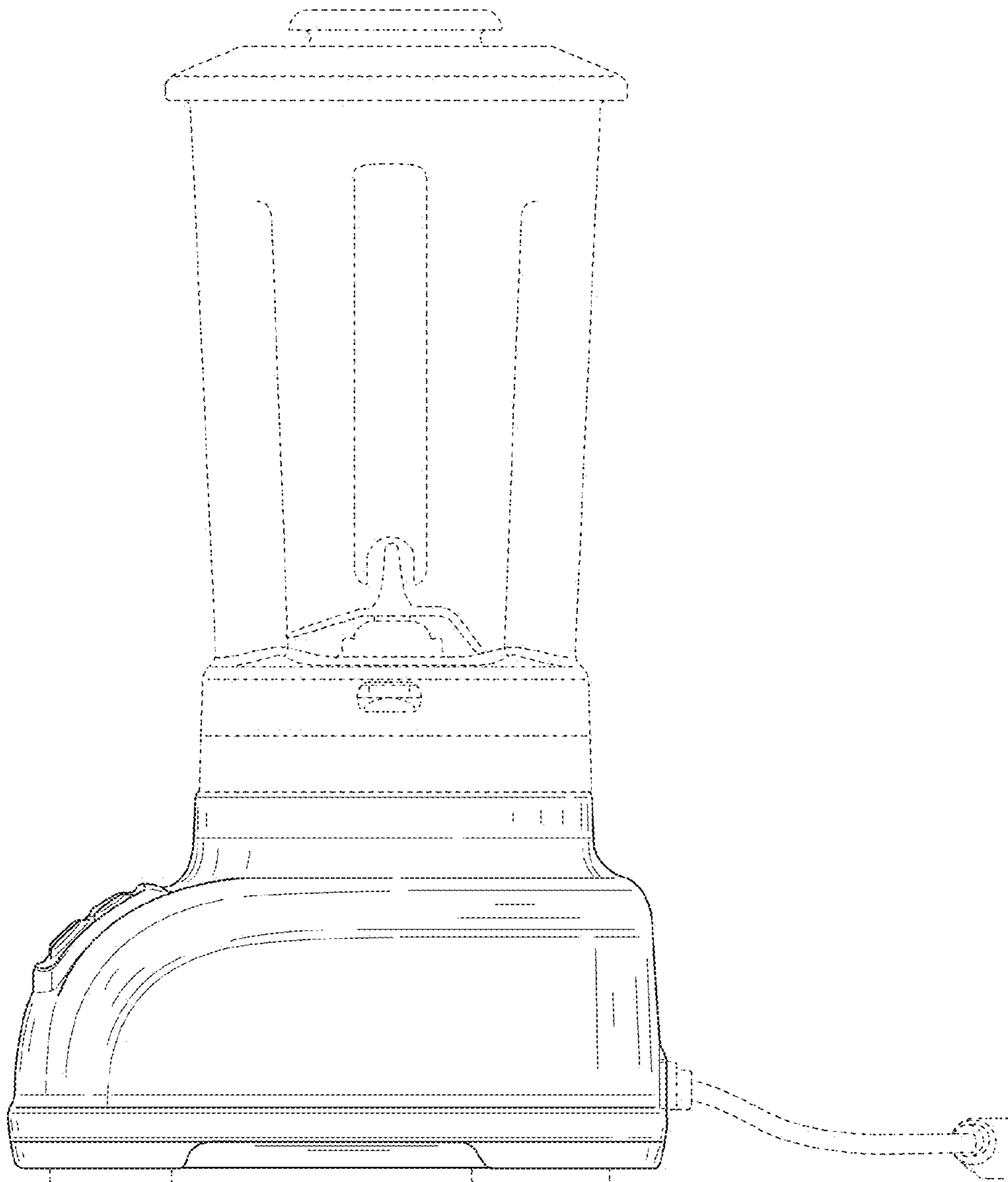


FIG. 4

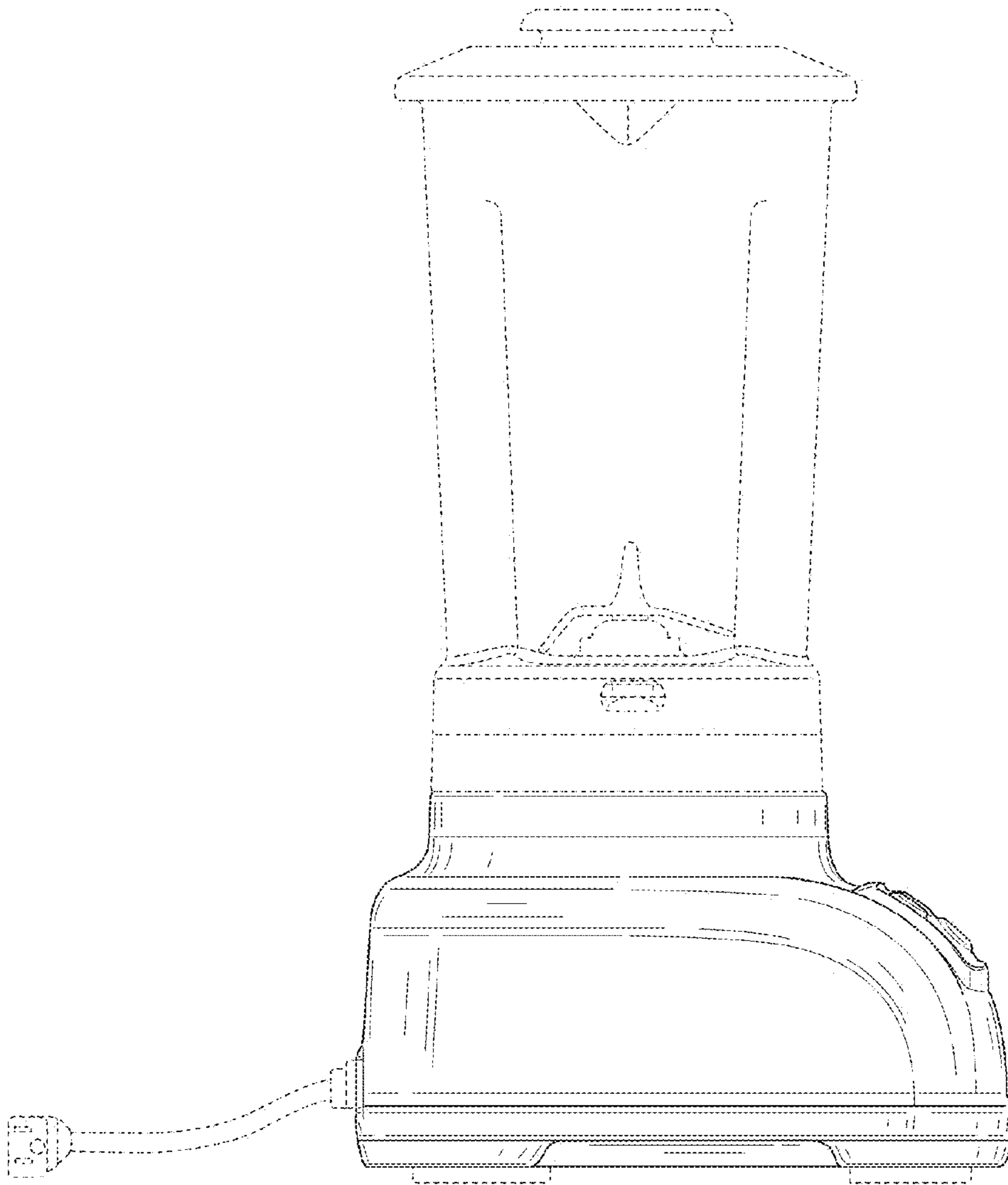


FIG. 5

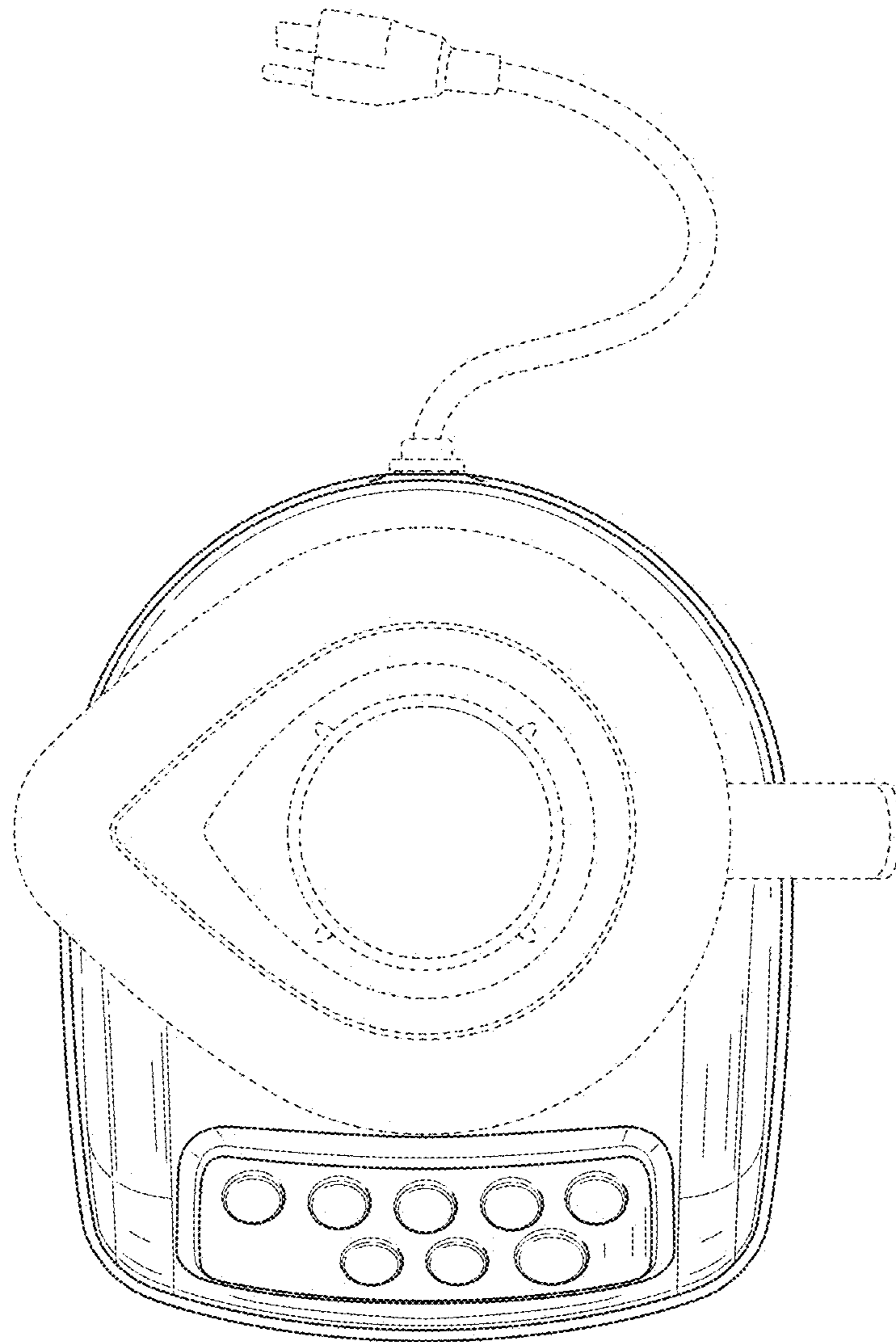


FIG. 6

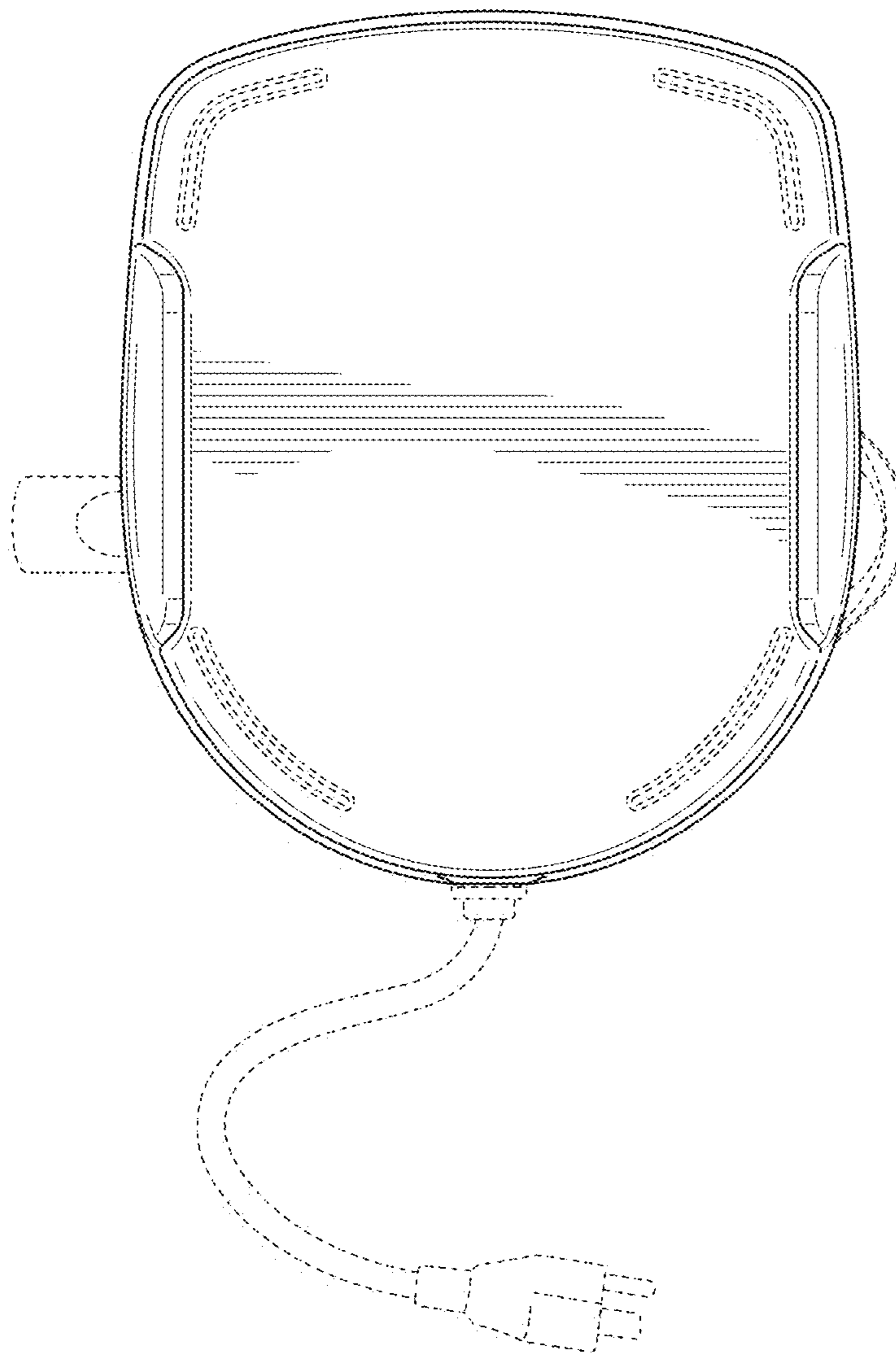


FIG. 7