



US00D694571S

(12) **United States Design Patent**
Norland et al.

(10) **Patent No.:** **US D694,571 S**
(45) **Date of Patent:** **** Dec. 3, 2013**

(54) **BAKEWARE ITEM**

(71) Applicant: **Whirlpool Corporation**, Benton Harbor, MI (US)

(72) Inventors: **Leif A. Norland**, Saint Joseph, MI (US);
Wenkai Wu, Iverness, IL (US)

(73) Assignee: **Whirlpool Corporation**, Benton Harbor, MI (US)

(**) Term: **14 Years**

(21) Appl. No.: **29/447,357**

(22) Filed: **Mar. 1, 2013**

(51) **LOC (9) Cl.** **07-02**

(52) **U.S. Cl.**
USPC **D7/354**

(58) **Field of Classification Search**

USPC D7/323, 329–331, 337, 339, 346–347, D7/350.1–350.4, 352–367, 387–388, 391, D7/392.1, 393, 395, 396.1, 402, 407–410, D7/500, 505, 538–545, 552.1, 552.2, 555, D7/566, 584–587, 602, 672–674, 698; D13/119; 99/324–325, 331–332, 99/337–349, 358, 369–376, 380, 389, 99/400–418, 422–426, 444–446, 483; 126/9 B, 37 R, 261, 378.1; 206/501–505, 507–508, 518; 219/386, 219/400, 405, 429–442, 450.1, 452.13, 219/460.1, 620–624, 725, 730–735; 220/4.21–4.24, 23.8, 315, 220/573.1–573.5, 629, 675, 743, 756, 769, 220/912; 426/132, 438, 441, 549

See application file for complete search history.

(56) **References Cited**

U.S. PATENT DOCUMENTS

D262,104	S	*	12/1981	Simpson	D13/119
D333,944	S	*	3/1993	Denzin et al.	D7/396.1
D340,617	S	*	10/1993	Douglas	D7/543
D350,669	S	*	9/1994	Conti	D7/360
D443,173	S	*	6/2001	Danielsen et al.	D7/354
6,349,843	B1	*	2/2002	Mittmann et al.	220/573.4
D469,300	S	*	1/2003	Nakazawa	D7/354
6,557,720	B2	*	5/2003	Tosdale et al.	220/657
D578,352	S	*	10/2008	Hauser	D7/552.2
D599,610	S	*	9/2009	Logan	D7/354
D640,895	S	*	7/2011	Tosdale et al.	D7/354
2001/0019060	A1	*	9/2001	Zank	220/573.1
2009/0250473	A1	*	10/2009	Bois et al.	220/573.1

* cited by examiner

Primary Examiner — Ricky Pham

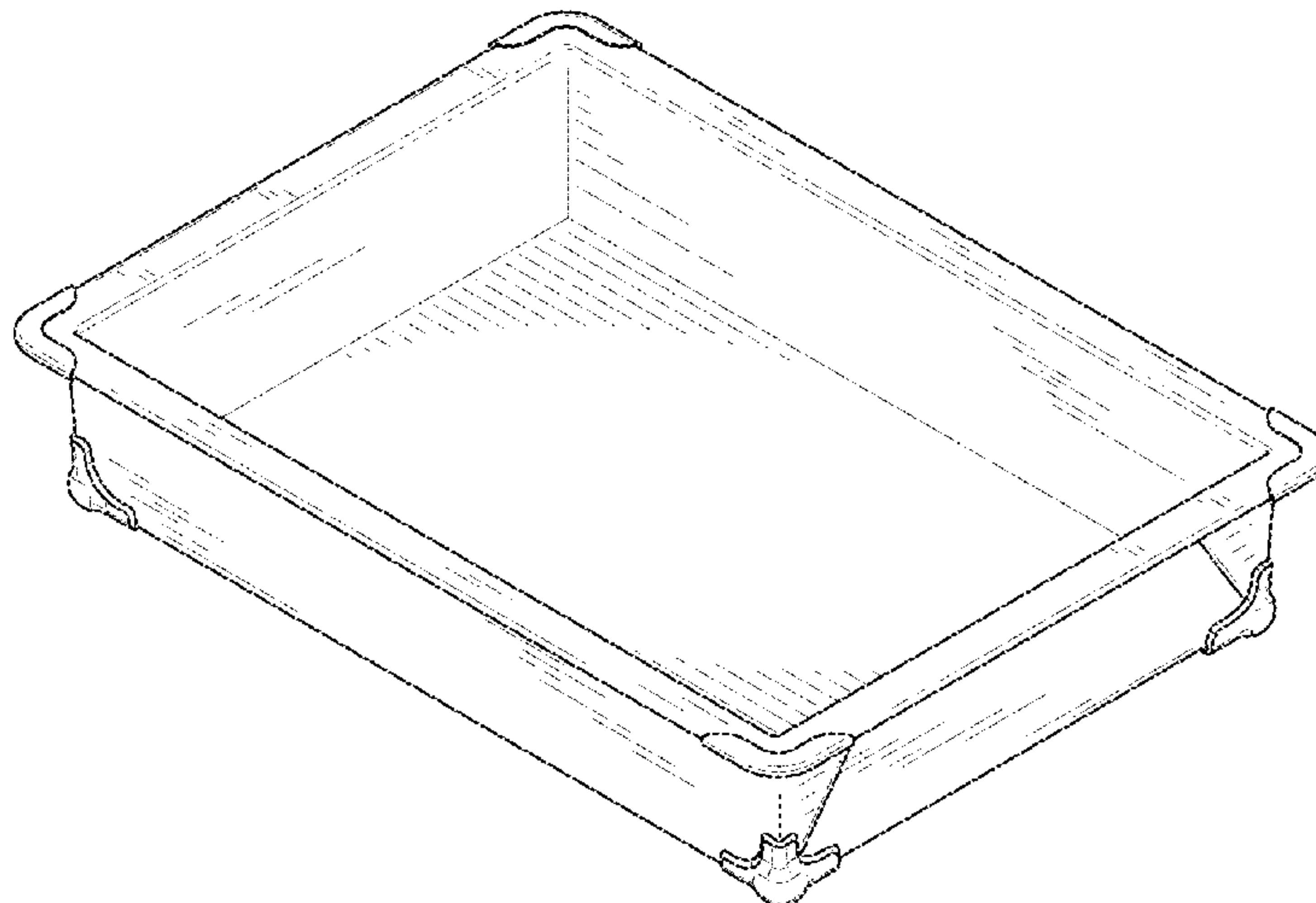
(57) **CLAIM**

The ornamental design for a bakeware item, as shown and described.

DESCRIPTION

FIG. 1 is a top perspective view of a bakeware item of our design;
FIG. 2 is a first side elevational view of the bakeware item;
FIG. 3 is a second side elevational view of the bakeware item;
FIG. 4 is a top plan view of the bakeware item;
FIG. 5 is a bottom plan view of the bakeware item;
FIG. 6 is an enlarged top perspective view of the bakeware corner reinforcement;
FIG. 7 is an enlarged first side elevational view of one corner of the bakeware corner reinforcement;
FIG. 8 is an enlarged second side elevational view of one corner of the bakeware corner reinforcement;
FIG. 9 is an enlarged top plan view of one corner of the bakeware corner reinforcement; and,
FIG. 10 is an enlarged bottom plan view of one corner of the bakeware corner reinforcement.

1 Claim, 4 Drawing Sheets



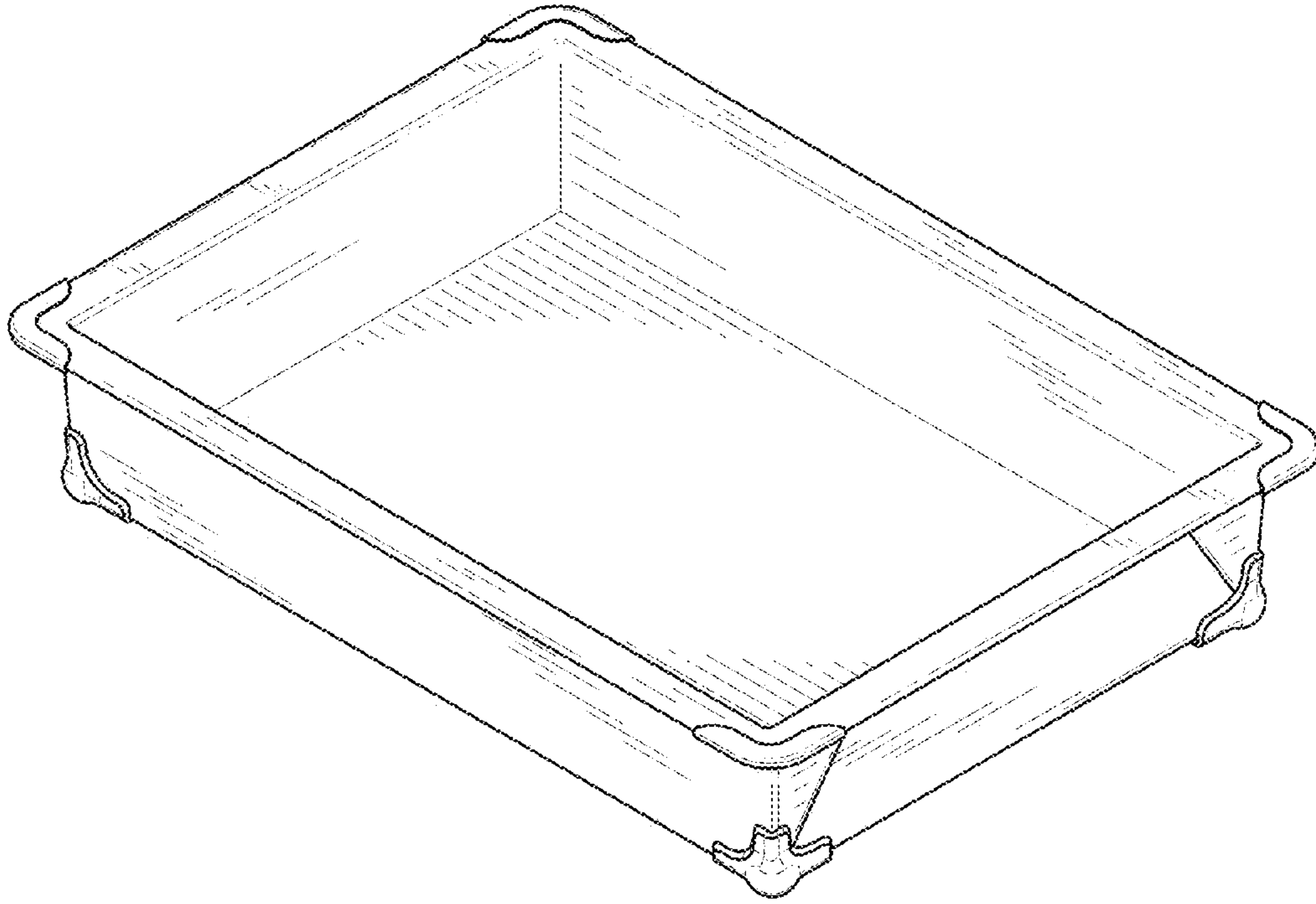


FIG. 1

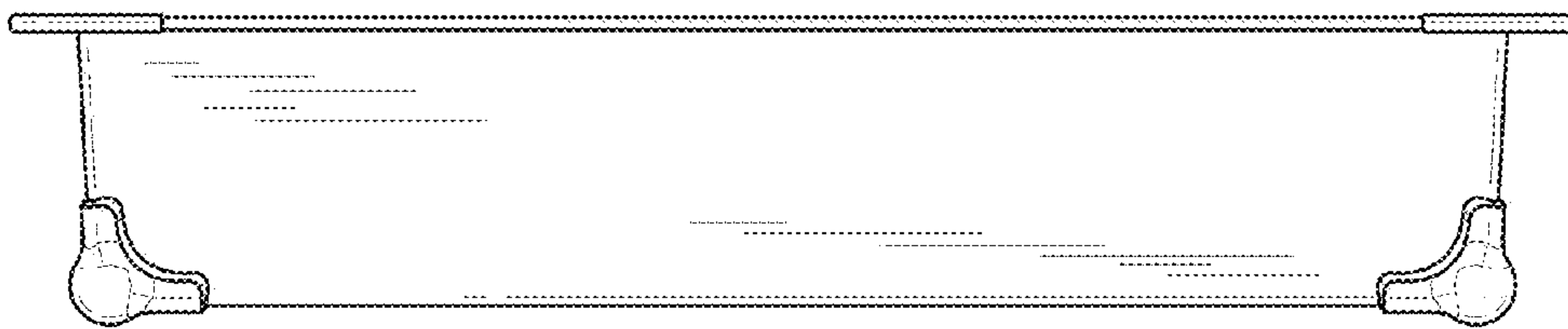


FIG. 2

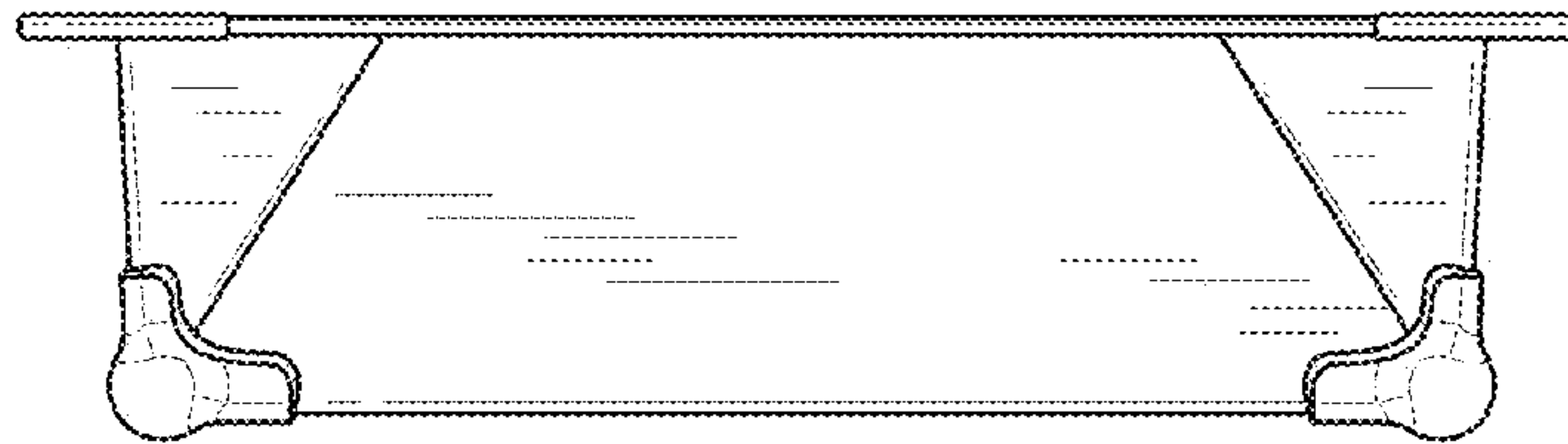


FIG. 3

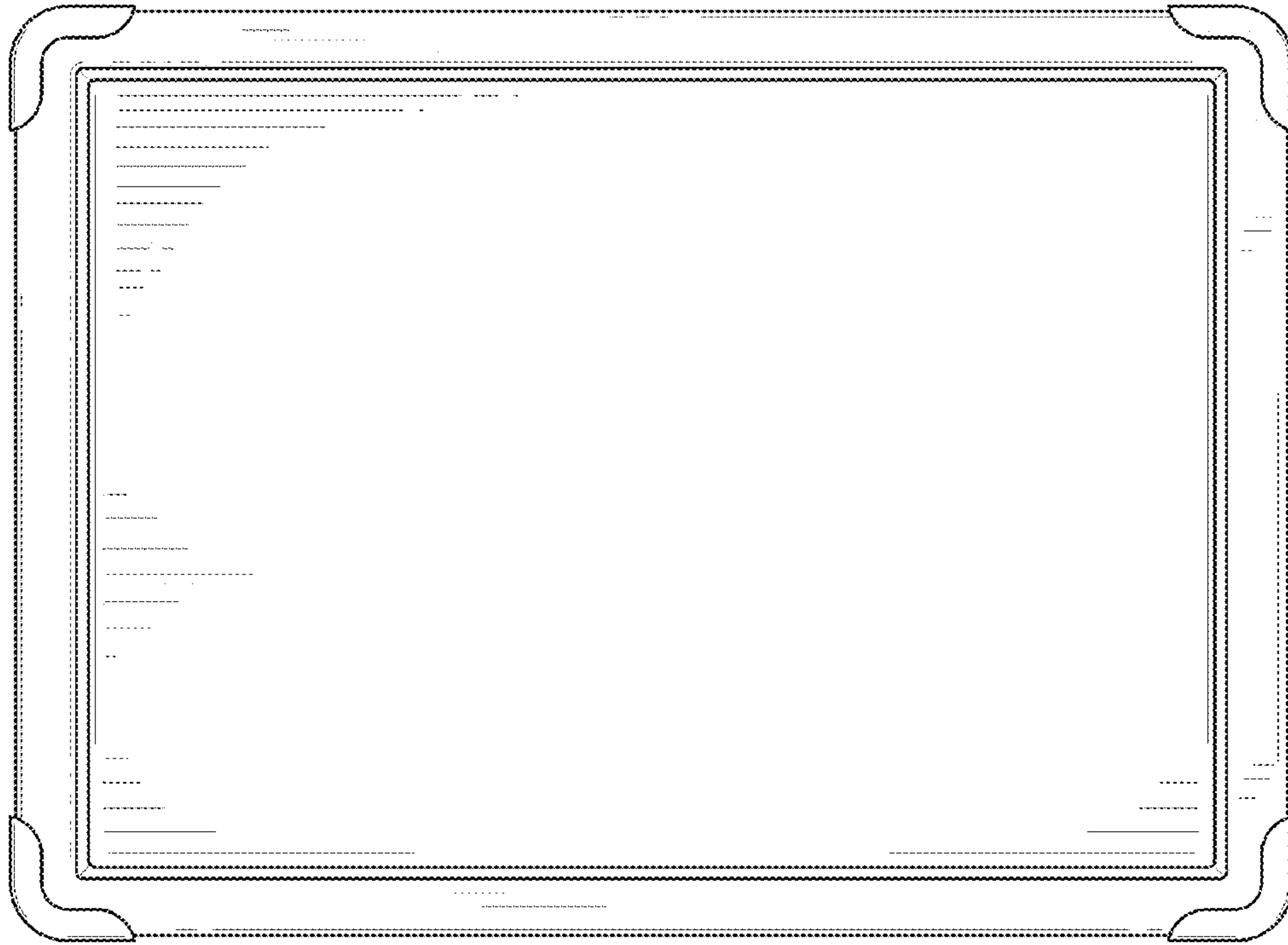


FIG. 4

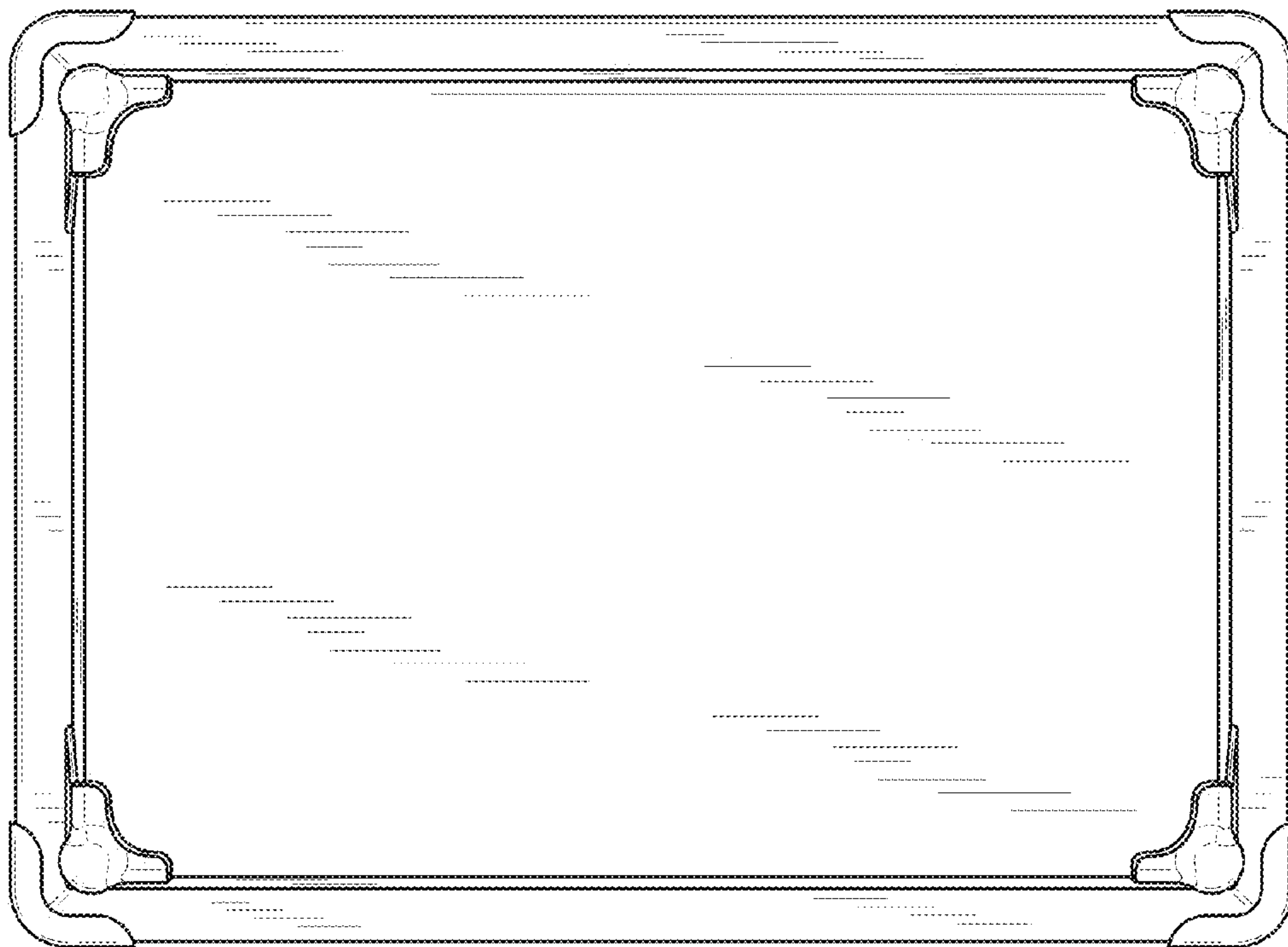


FIG. 5

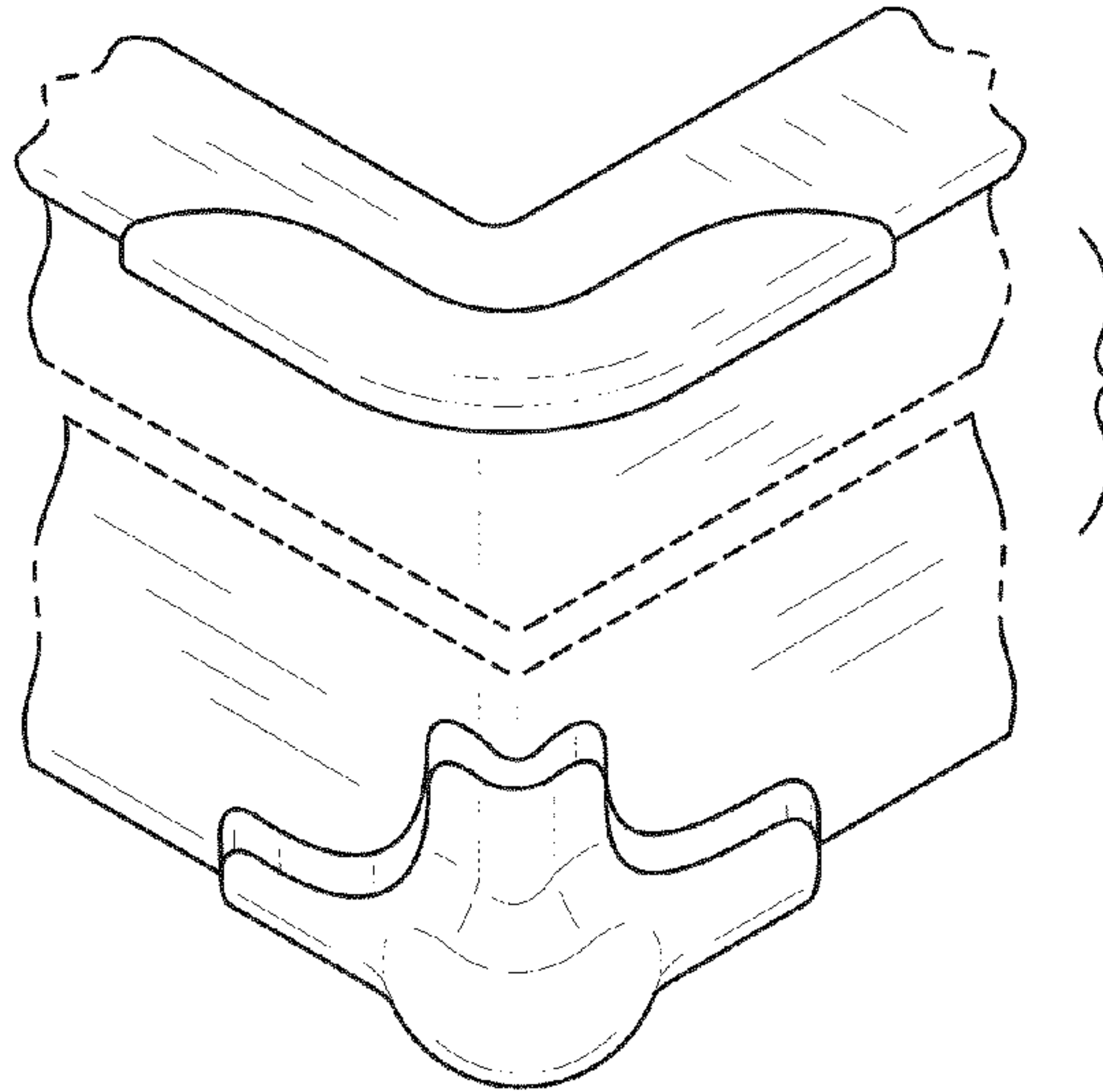


FIG. 6

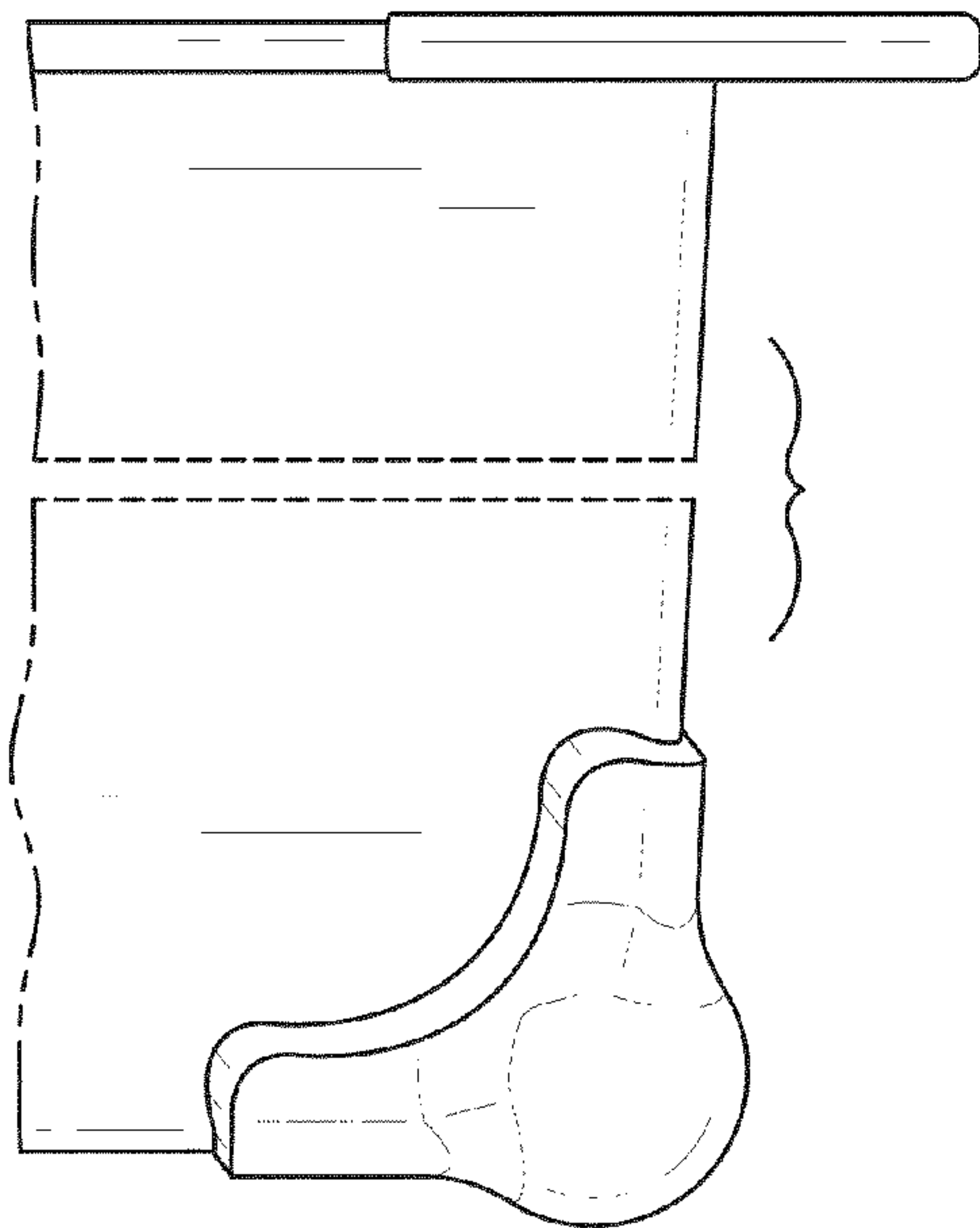


FIG. 7

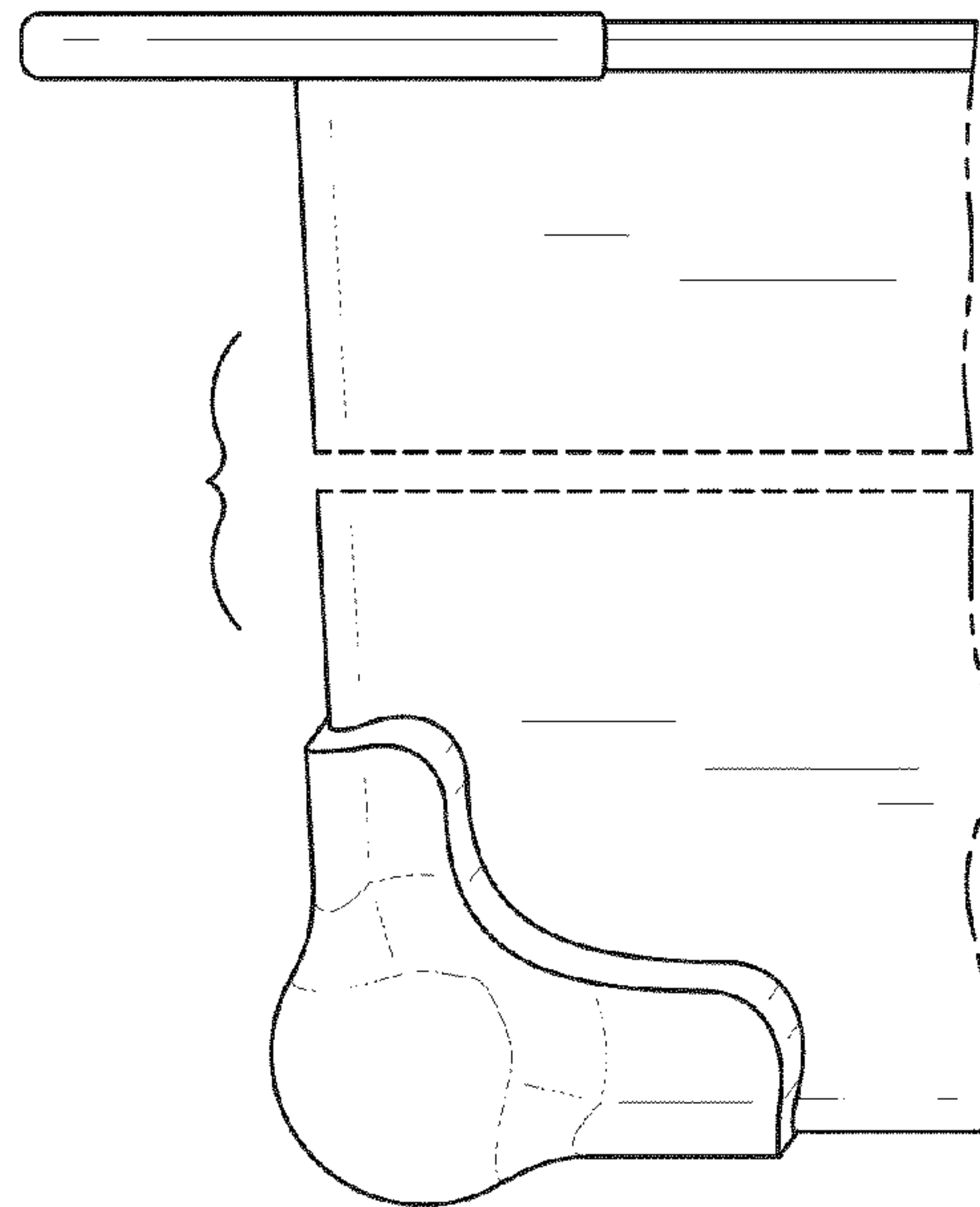


FIG. 8

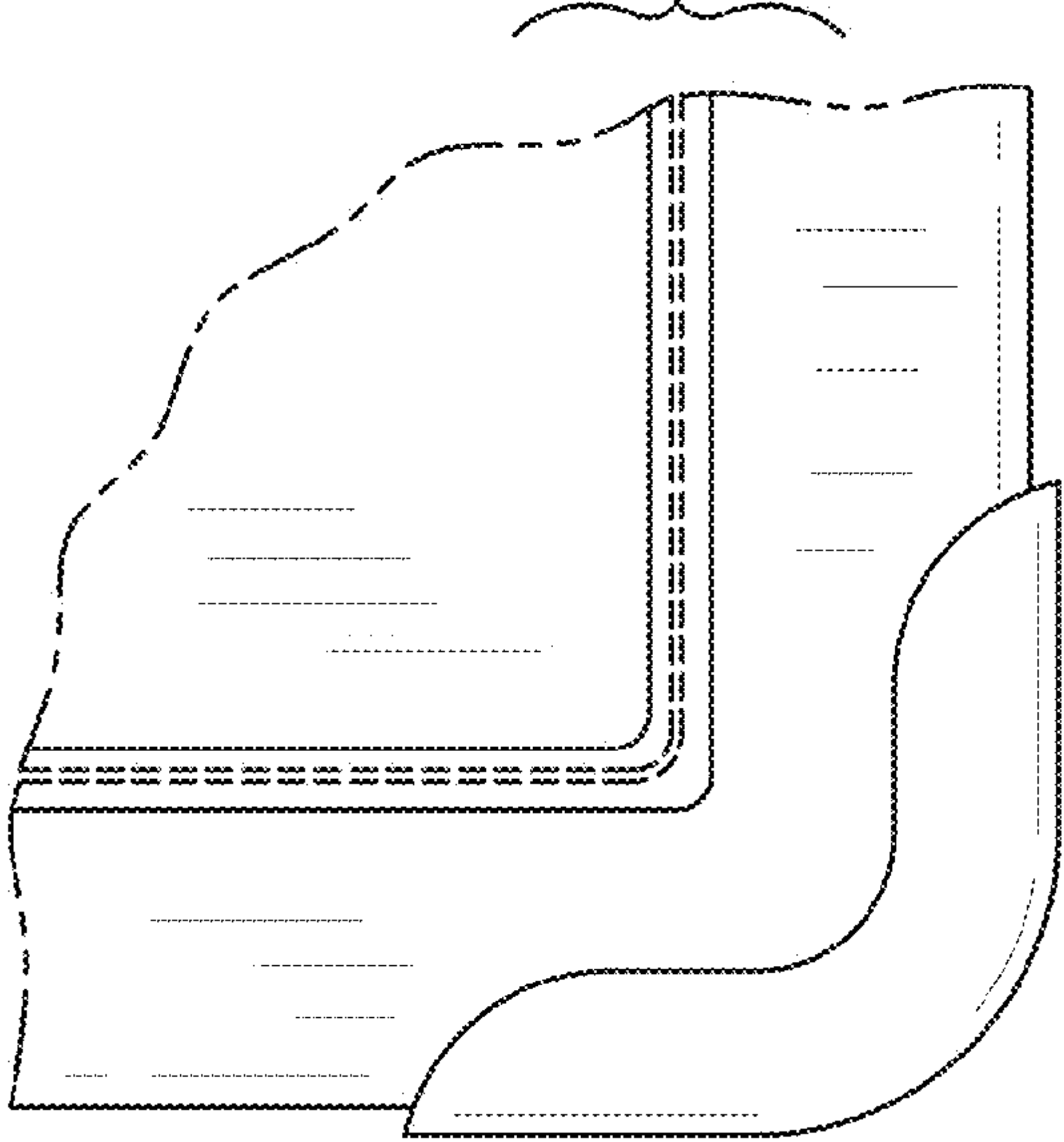


FIG. 9

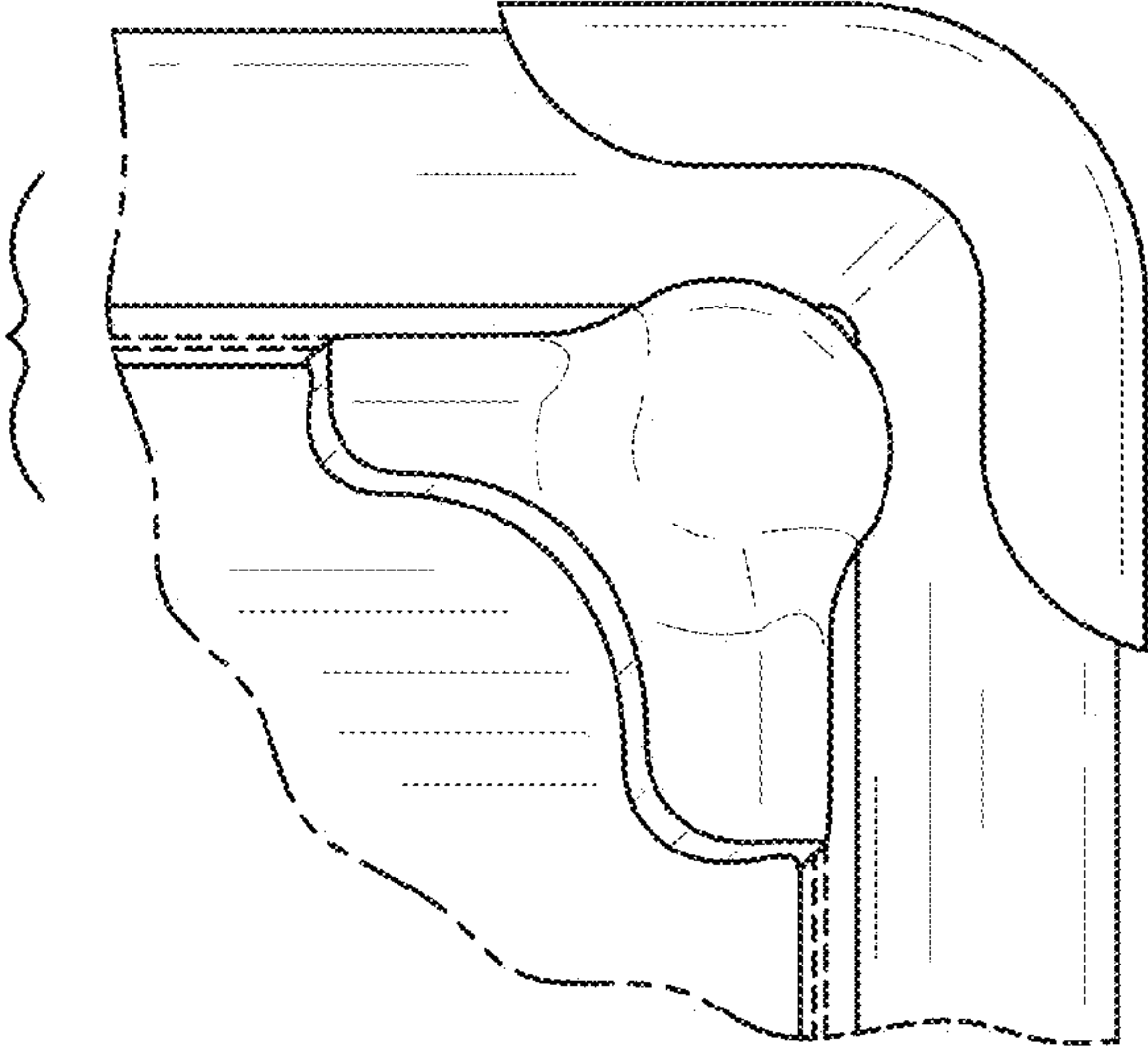


FIG. 10