

US00D694570S

(12) **United States Design Patent**  
**Day et al.**

(10) **Patent No.:** **US D694,570 S**  
(45) **Date of Patent:** **\*\* Dec. 3, 2013**

(54) **VERTICAL COOKING APPLIANCE**

(56) **References Cited**

(71) Applicant: **Sunbeam Products, Inc.**, Boca Raton, FL (US)

U.S. PATENT DOCUMENTS

(72) Inventors: **Adam Day**, Boynton Beach, FL (US);  
**Jamal Hammad**, Boynton Beach, FL (US)

D438,423 S *	3/2001	Bassill et al. ....	D7/367
D439,796 S *	4/2001	Edwards et al. ....	D7/352
D502,630 S *	3/2005	Lubowicki .....	D7/352
D509,098 S *	9/2005	Steinberg et al. ....	D7/352
D510,677 S *	10/2005	Steinberg et al. ....	D7/352
D522,307 S *	6/2006	Mariani et al. ....	D7/355
D548,000 S *	8/2007	Mangano .....	D7/352
D553,423 S *	10/2007	Lam .....	D7/352
D568,090 S *	5/2008	Lam .....	D7/352
D591,550 S *	5/2009	Lam .....	D7/337
D644,477 S *	9/2011	Burton et al. ....	D7/362
D670,530 S *	11/2012	Huber et al. ....	D7/352
D677,968 S *	3/2013	Bond et al. ....	D7/325

(73) Assignee: **Sunbeam Products, Inc.**, Boca Raton, FL (US)

(\*\*) Term: **14 Years**

\* cited by examiner

(21) Appl. No.: **29/454,220**

(22) Filed: **May 8, 2013**

*Primary Examiner* — Ricky Pham

(51) **LOC (9) Cl.** ..... **07-02**

(74) *Attorney, Agent, or Firm* — Michael J. Corrigan

(52) **U.S. Cl.**  
USPC ..... **D7/352; D7/354; D7/362**

(57) **CLAIM**

The ornamental design for the vertical cooking appliance, as shown and described.

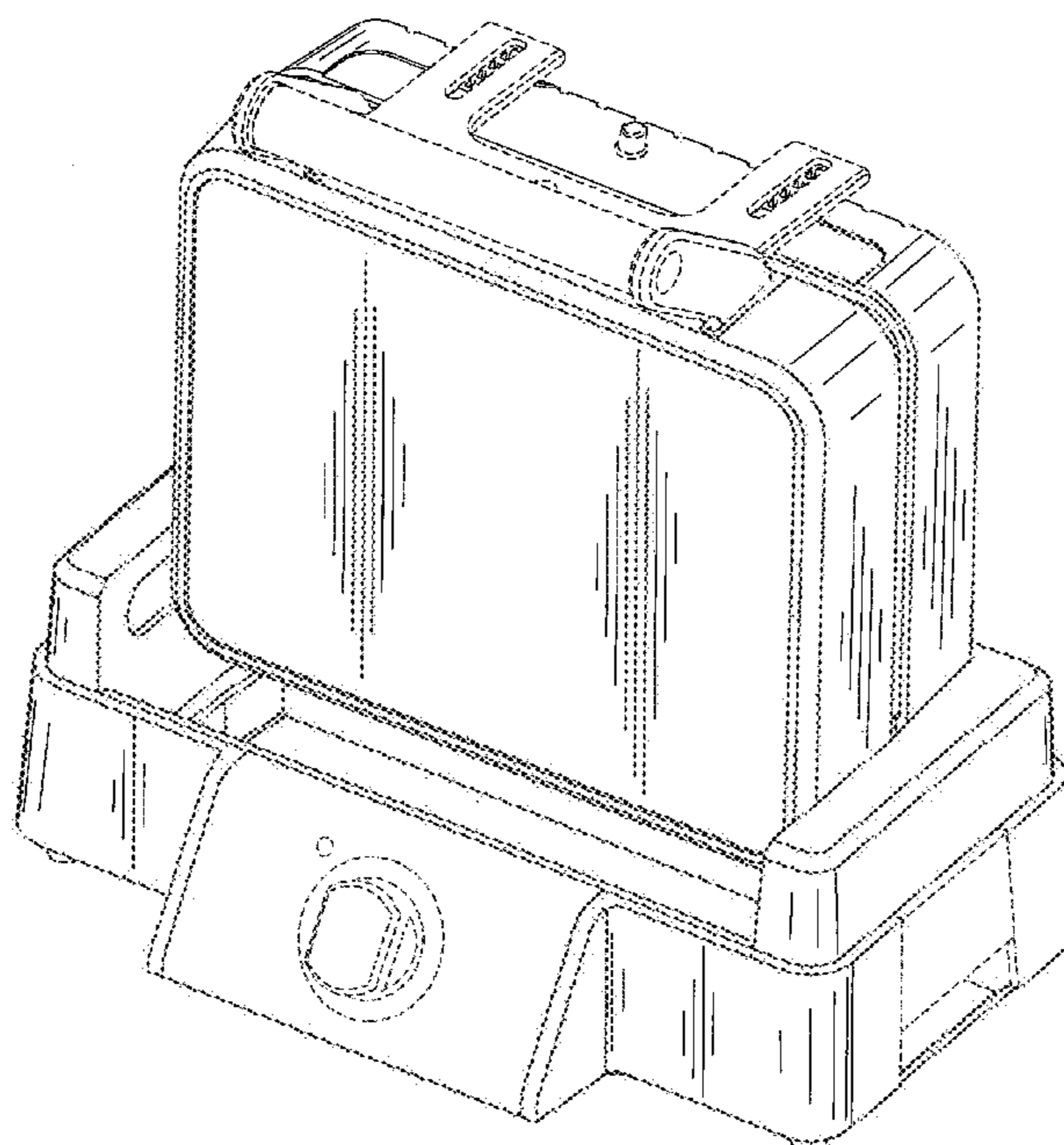
(58) **Field of Classification Search**  
USPC ..... D7/323–325, 329–332, 337–339,  
D7/346–347, 350.1–350.4, 352–367,  
D7/391–395, 402–406, 538, 542–543,  
D7/665; 99/324–327, 330–343, 369, 366,  
99/372, 377, 400–418, 422, 425, 444–446,  
99/483; 126/37 R, 41 R, 261, 332, 378.1;  
219/386–387, 400, 405, 429–442,  
219/452.11, 521–525, 620–624, 725,  
219/730–735; 220/23.88, 314–315, 485,  
220/573.1–573.5, 592.16, 912; 426/438,  
426/441, 523

**DESCRIPTION**

FIG. 1 is a front perspective view of the vertical cooking appliance;  
FIG. 2 is a front view thereof;  
FIG. 3 is a right side view thereof;  
FIG. 4 is a rear view thereof;  
FIG. 5 is a left side view thereof;  
FIG. 6 is a top view thereof; and,  
FIG. 7 is a bottom view thereof.  
The portion shown in dashed lines is shown for illustrative purposes only and forms no part of the claimed design.

See application file for complete search history.

**1 Claim, 7 Drawing Sheets**



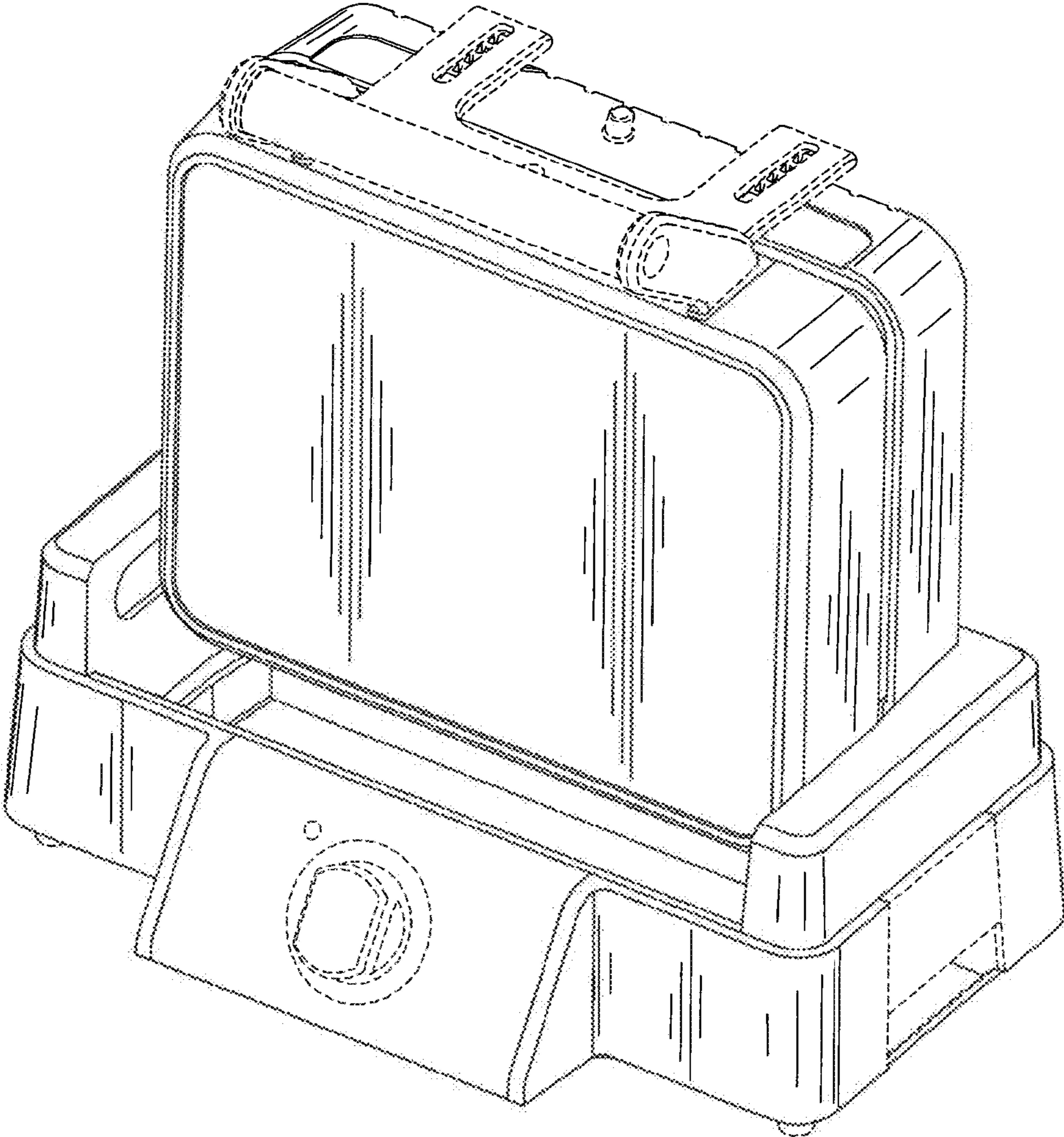


FIG 1

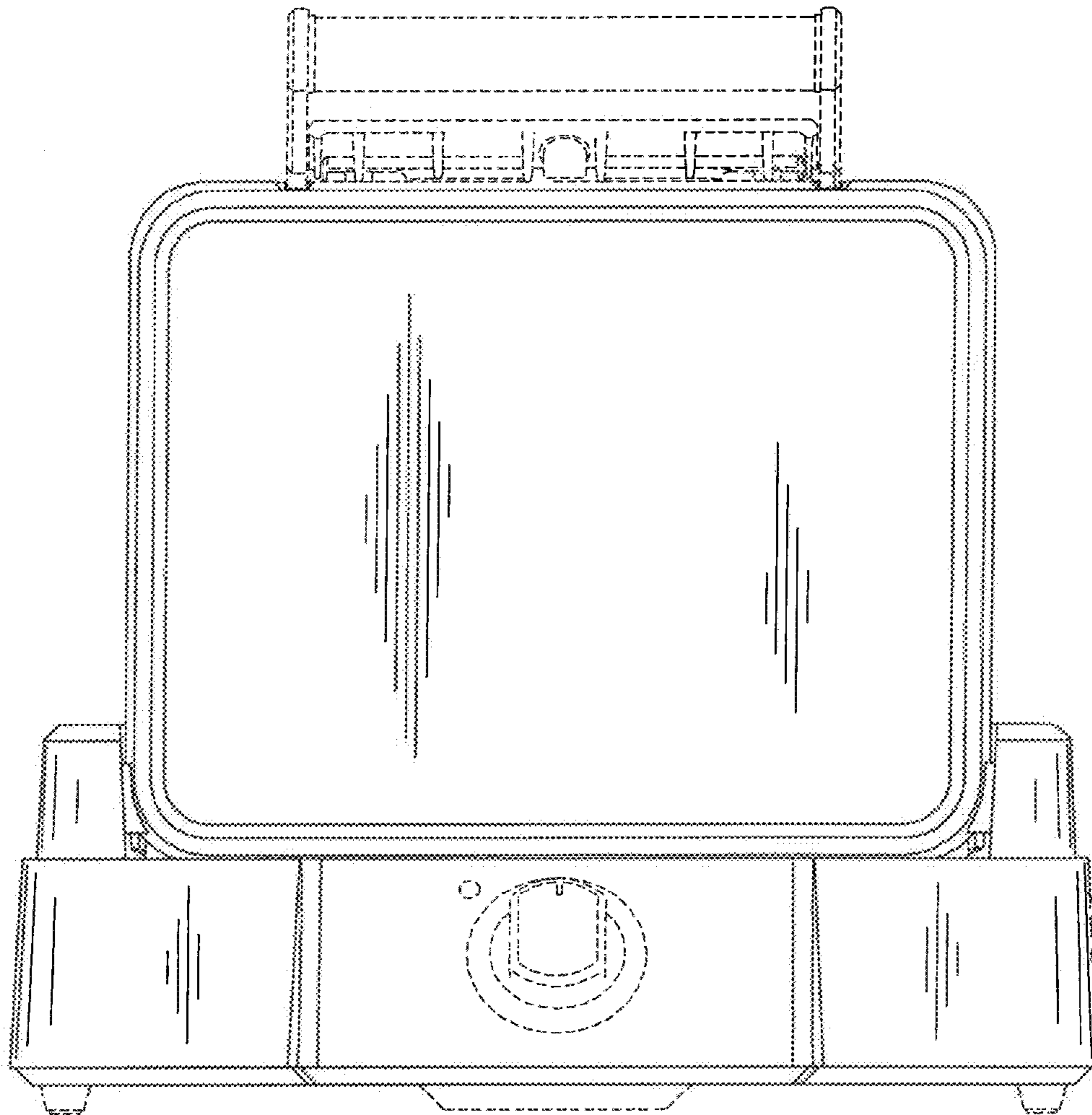


FIG 2

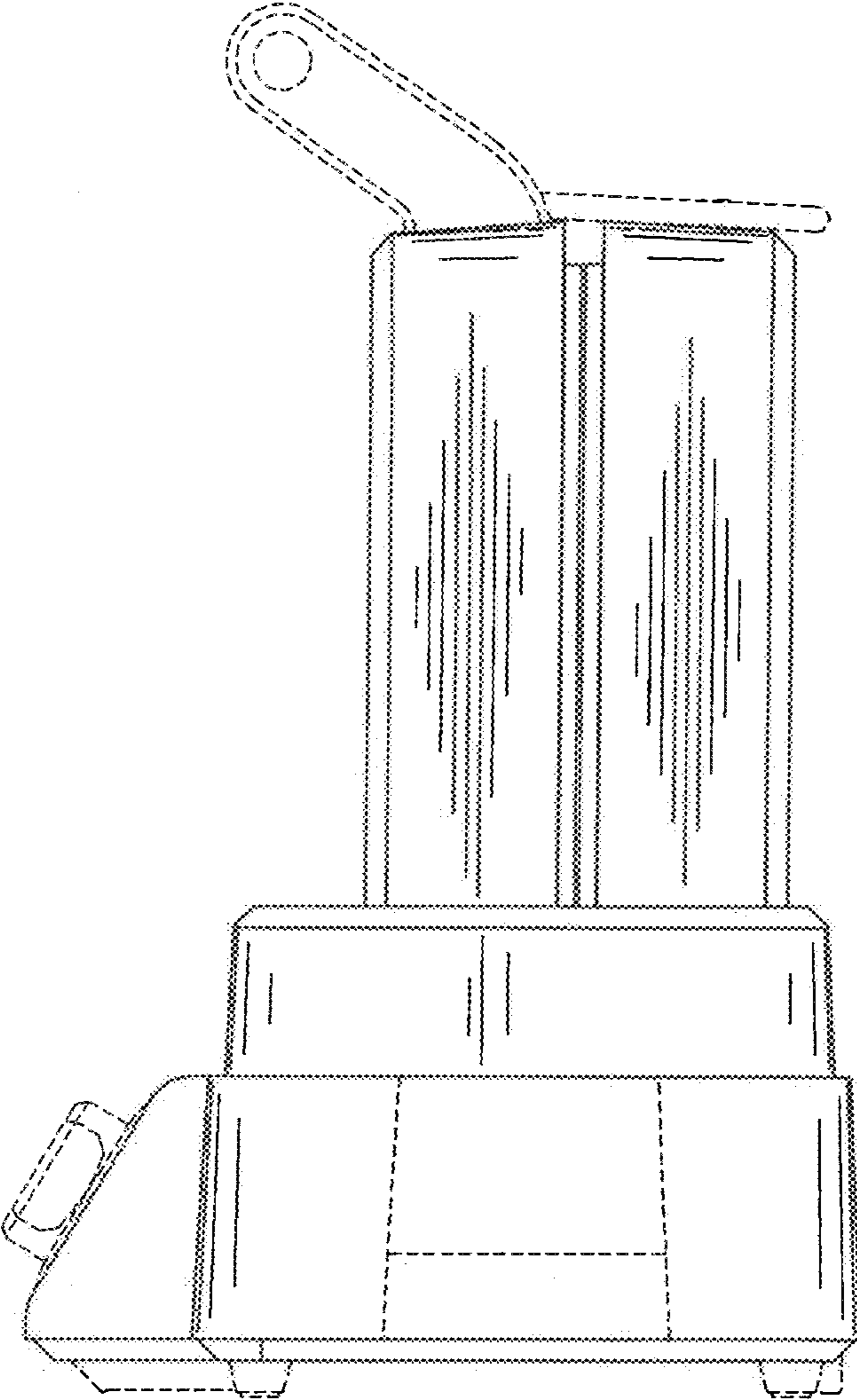


FIG 3

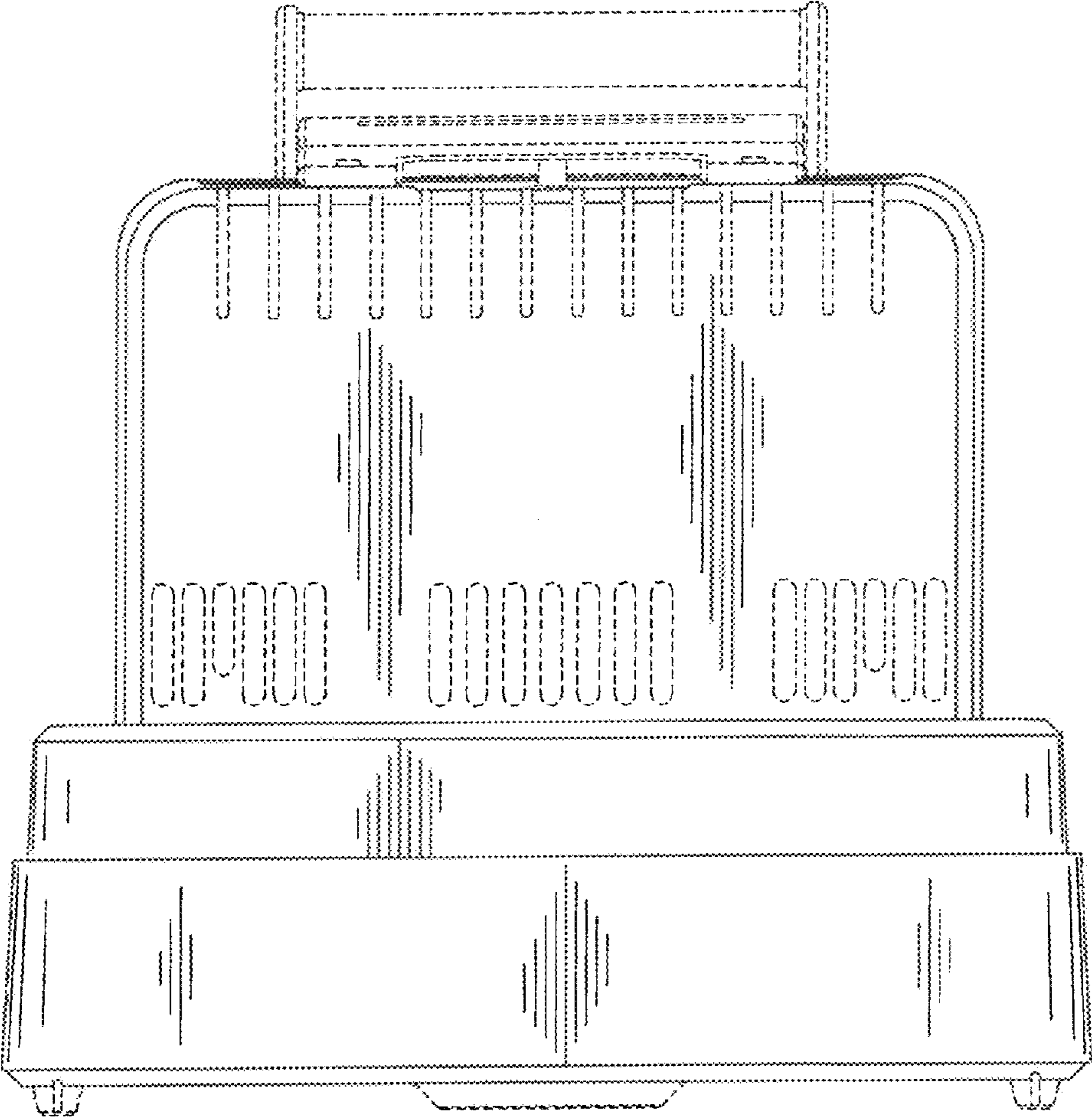


FIG 4

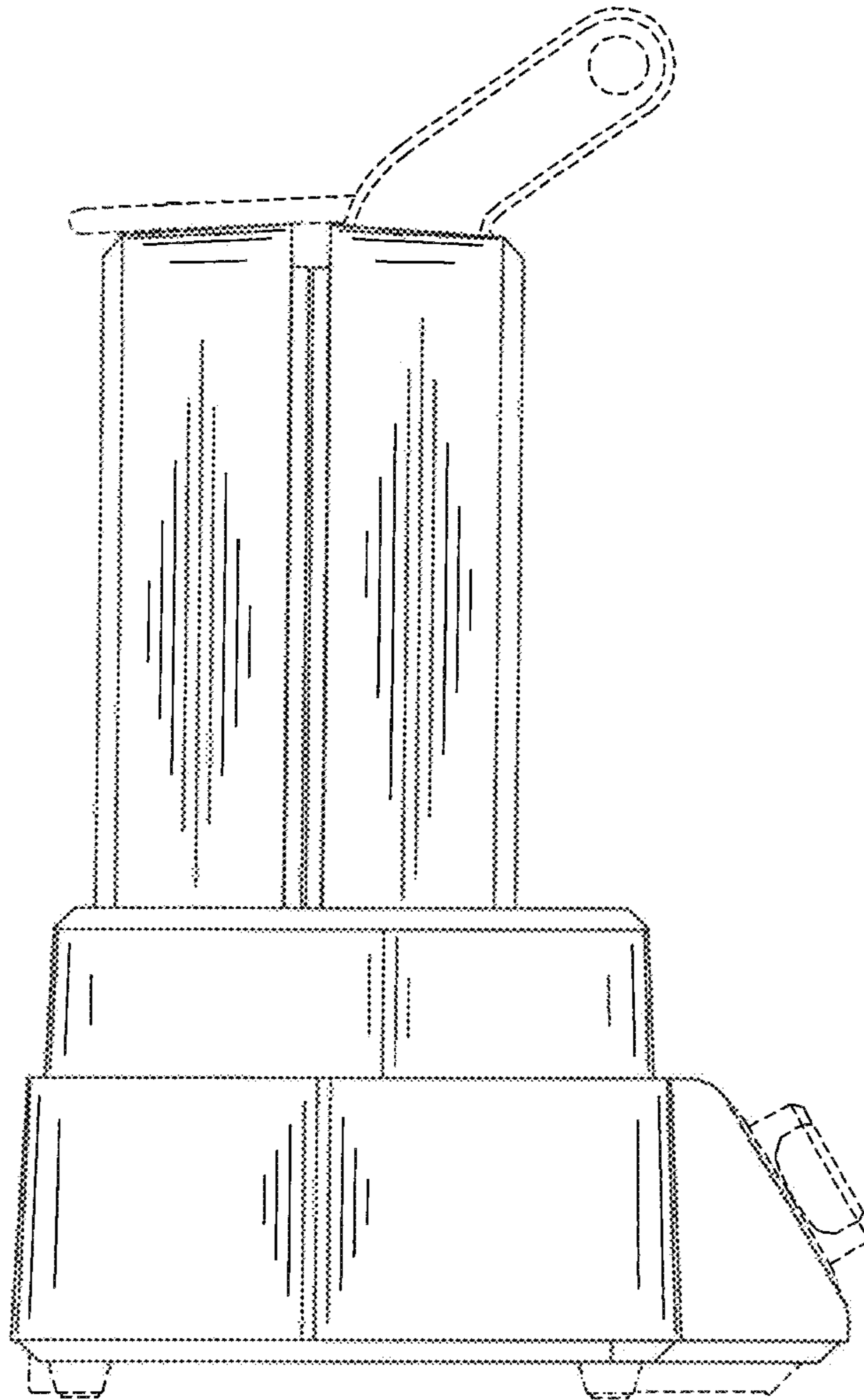


FIG 5

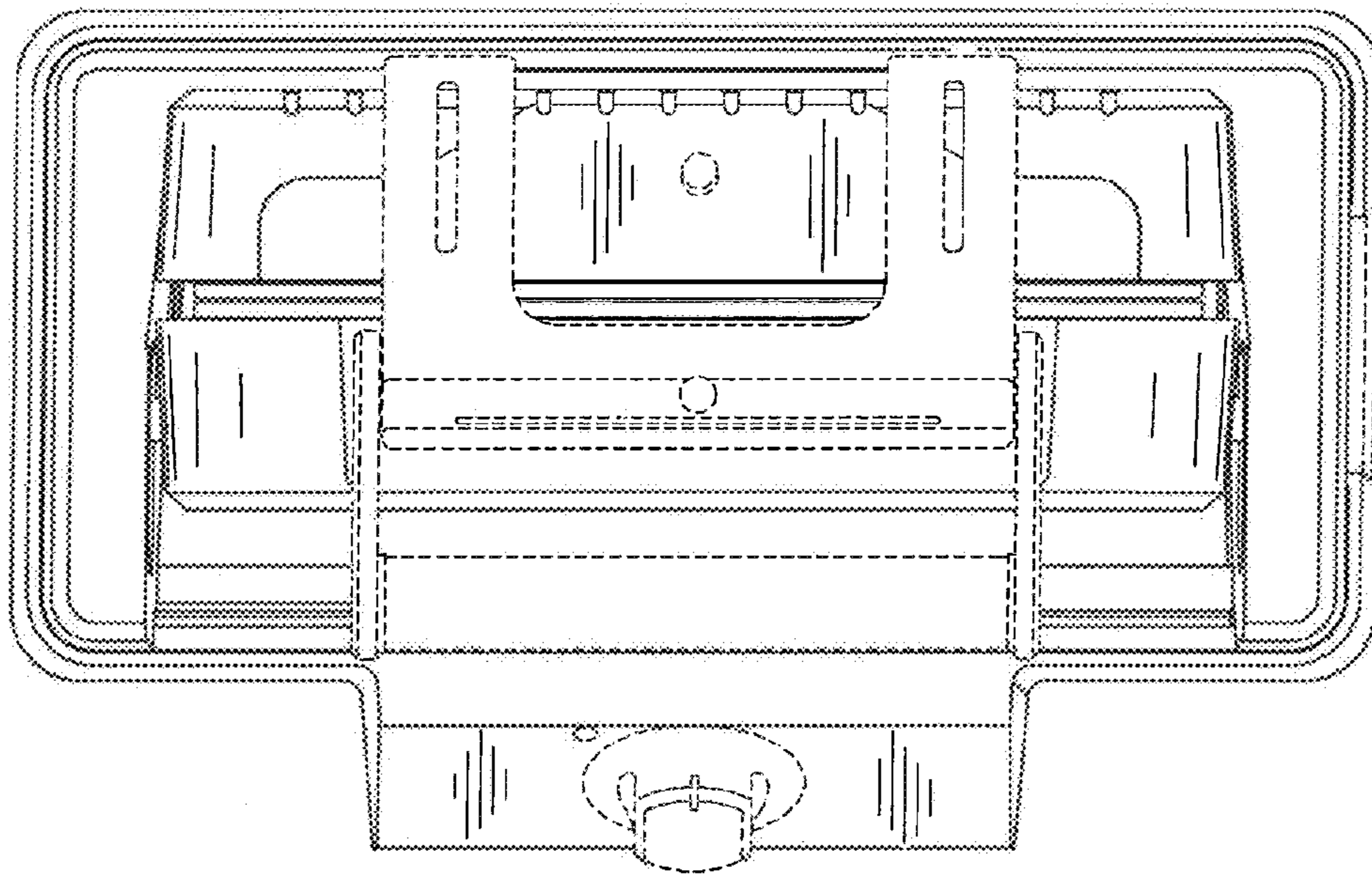


FIG 6

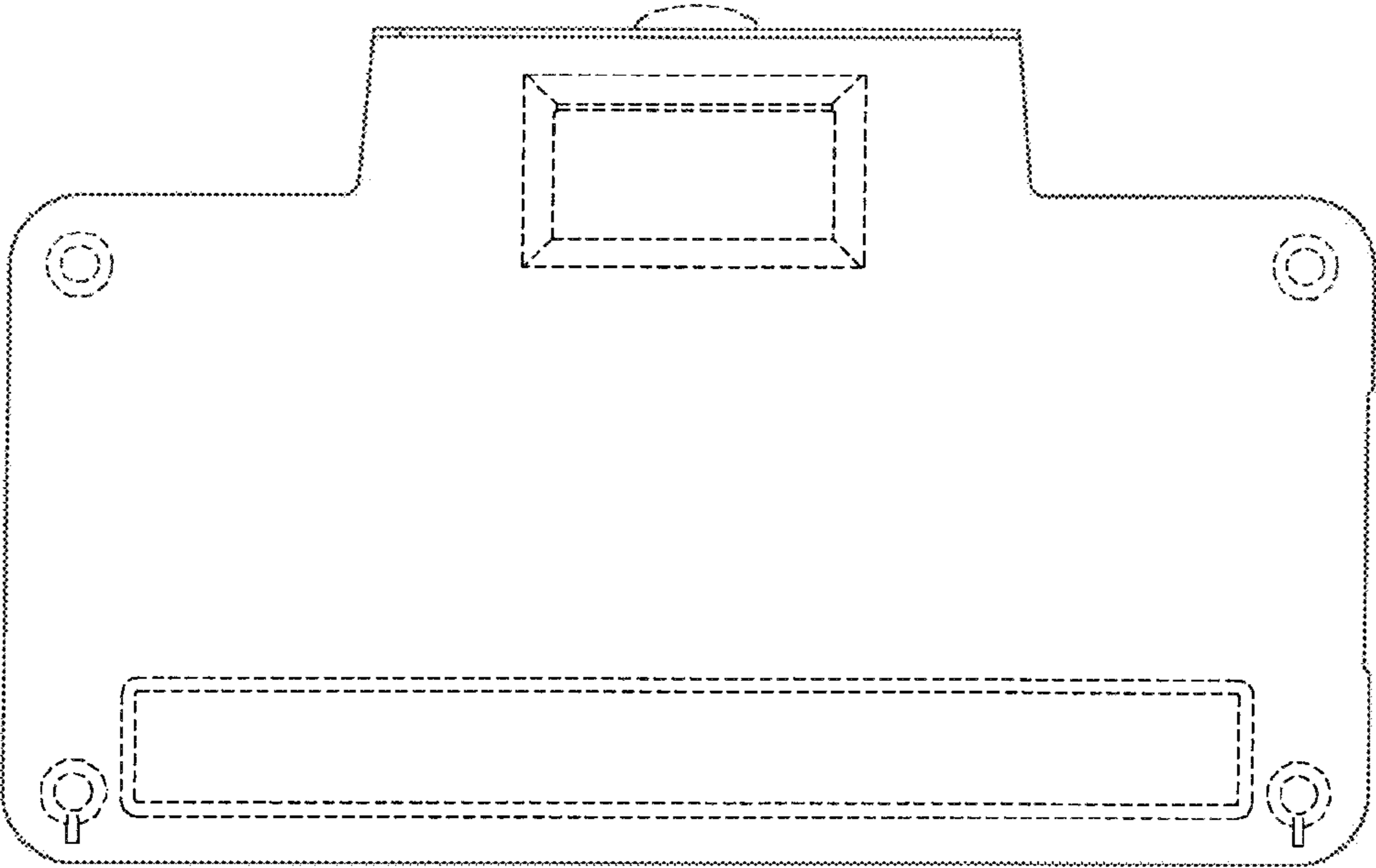


FIG 7