



US00D694568S

(12) **United States Design Patent**
Alden et al.

(10) **Patent No.:** **US D694,568 S**
(45) **Date of Patent:** **** Dec. 3, 2013**

(54) **GAS GRILL**

(75) Inventors: **J. Michael Alden**, Palatine, IL (US);
Paul Robert Behnke, Mount Prospect,
IL (US)

(73) Assignee: **Weber-Stephen Products, LLC**,
Palatine, IL (US)

(**) Term: **14 Years**

(21) Appl. No.: **29/420,002**

(22) Filed: **May 3, 2012**

(51) **LOC (9) Cl.** **07-02**

(52) **U.S. Cl.**
USPC **D7/334**

(58) **Field of Classification Search**
USPC D7/332, 334–337, 403–405, 408;
220/592.22; 126/152 B, 25 R, 215, 211,
126/41 R, 39 G, 15 R, 19 M, 275 R, 214 R,
126/220, 287, 290, 293, 285, 163 R, 160,
126/21 R, 214 C, 285 R, 9 R; D23/347, 372,
D23/421

See application file for complete search history.

(56) **References Cited**

U.S. PATENT DOCUMENTS

D521,308 S * 5/2006 Tseng D7/334
D528,349 S * 9/2006 Chung D7/334

D546,616 S * 7/2007 Tseng D7/334
D549,514 S * 8/2007 Chung D7/334
D571,604 S * 6/2008 Chung D7/334
D571,605 S * 6/2008 Chung D7/334
D662,347 S * 6/2012 May et al. D7/334
D679,126 S * 4/2013 Davis et al. D7/334
D679,127 S * 4/2013 Davis et al. D7/334
D679,128 S * 4/2013 Davis et al. D7/334
D680,798 S * 4/2013 Chung D7/334
D682,007 S * 5/2013 Davis et al. D7/334

* cited by examiner

Primary Examiner — Ruth McInroy

(74) *Attorney, Agent, or Firm* — Niro, Haller & Niro

(57) **CLAIM**

The ornamental design for a gas grill, as shown and described.

DESCRIPTION

FIG. 1 is a perspective view of a gas grill showing our new design;

FIG. 2 is a front view thereof.

FIG. 3 is a back view thereof.

FIG. 4 is a right side view thereof.

FIG. 5 is a left side view thereof; and,

FIG. 6 is a top view thereof.

Broken lines indicate boundaries of regions that are for illustrative purposes only and form no part of the claimed design.

1 Claim, 5 Drawing Sheets

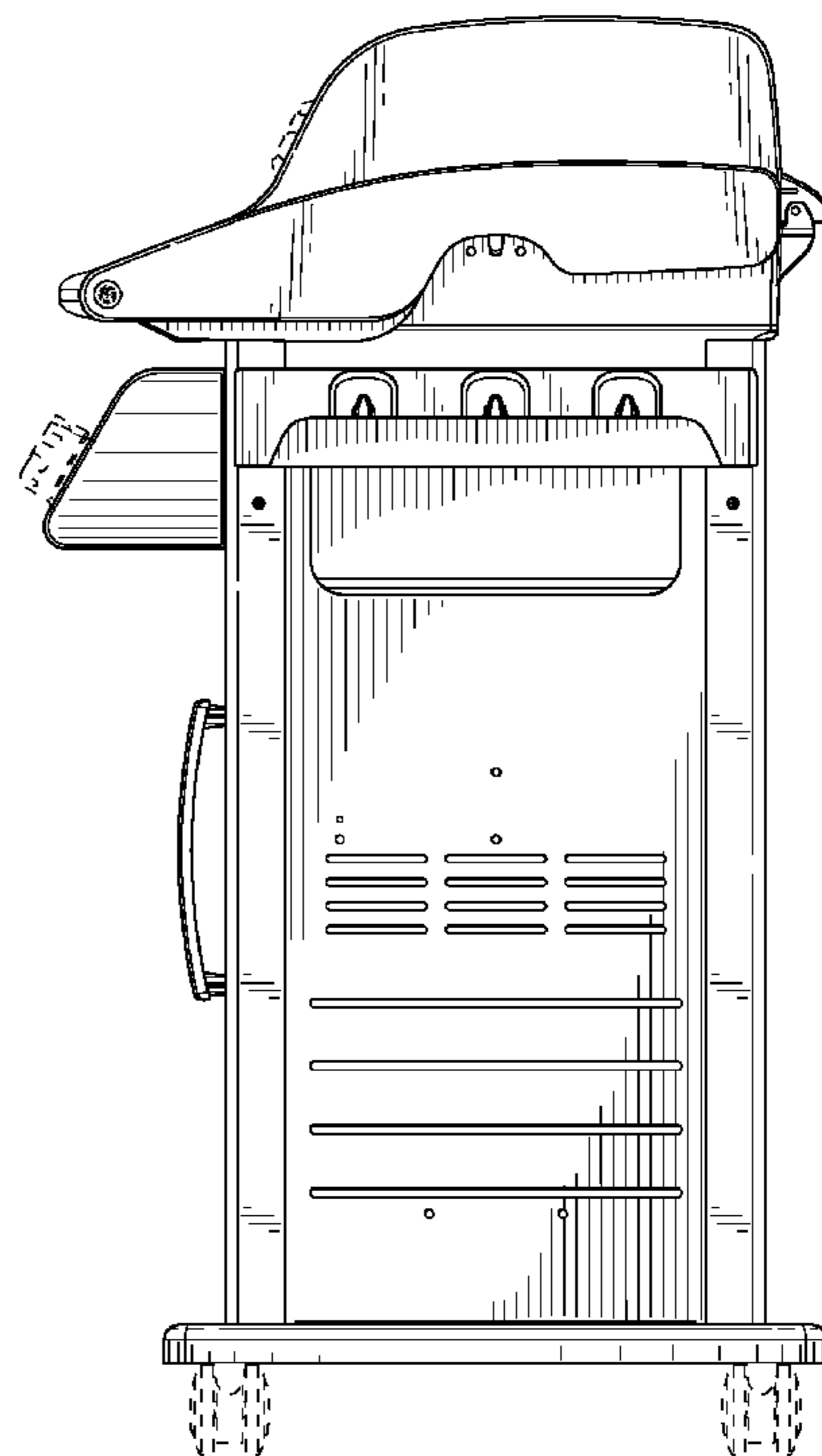
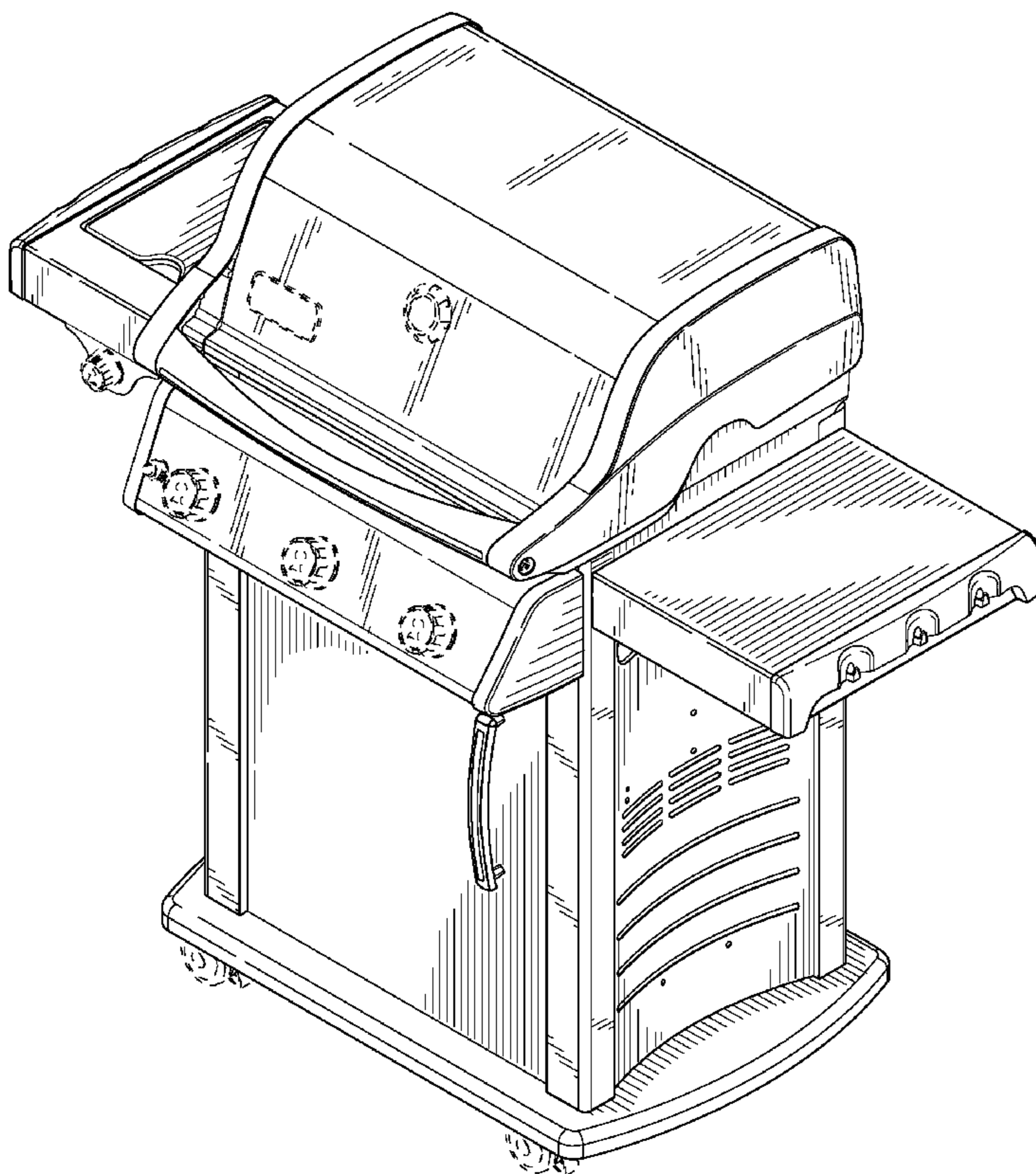
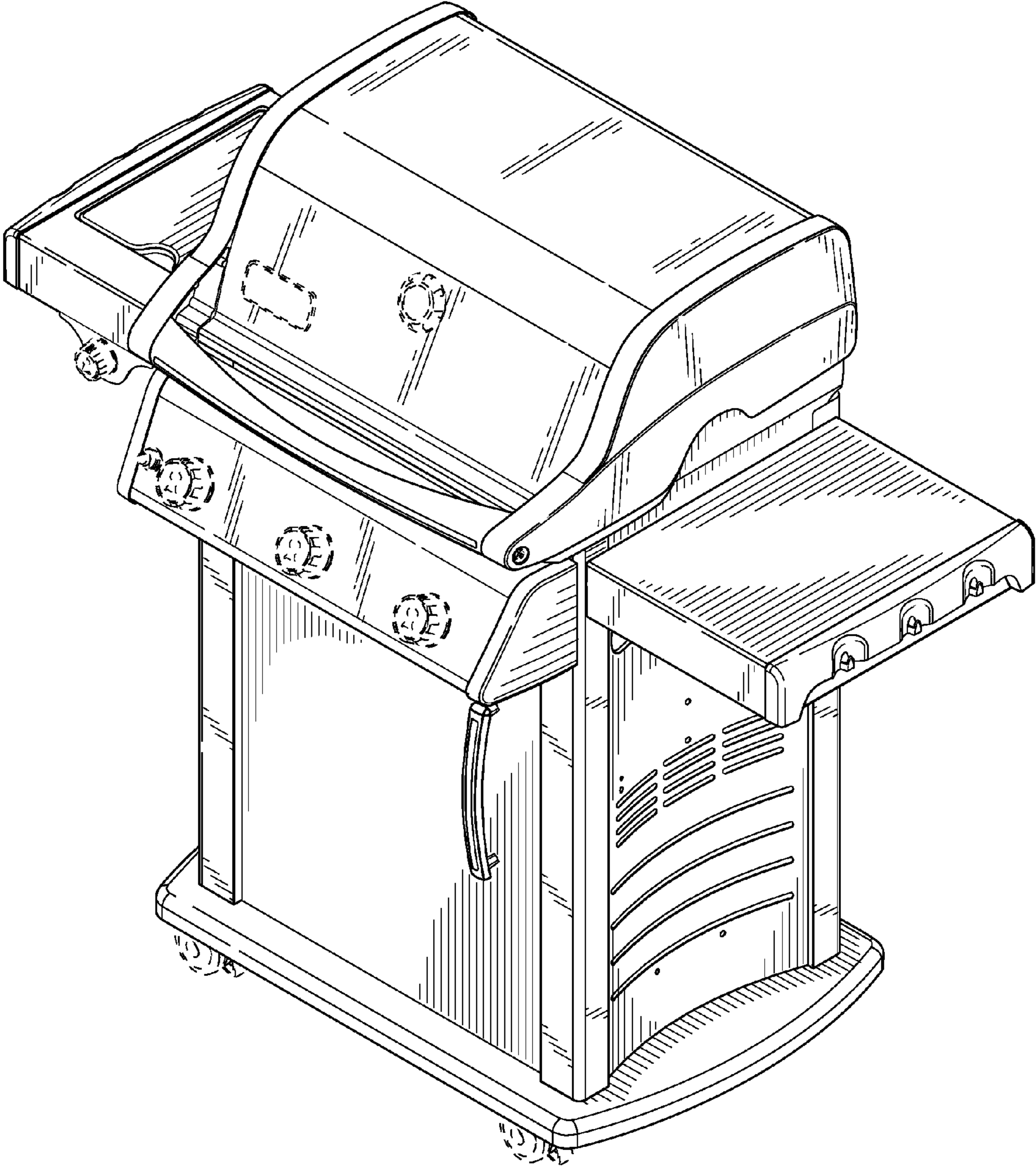


Fig. 1



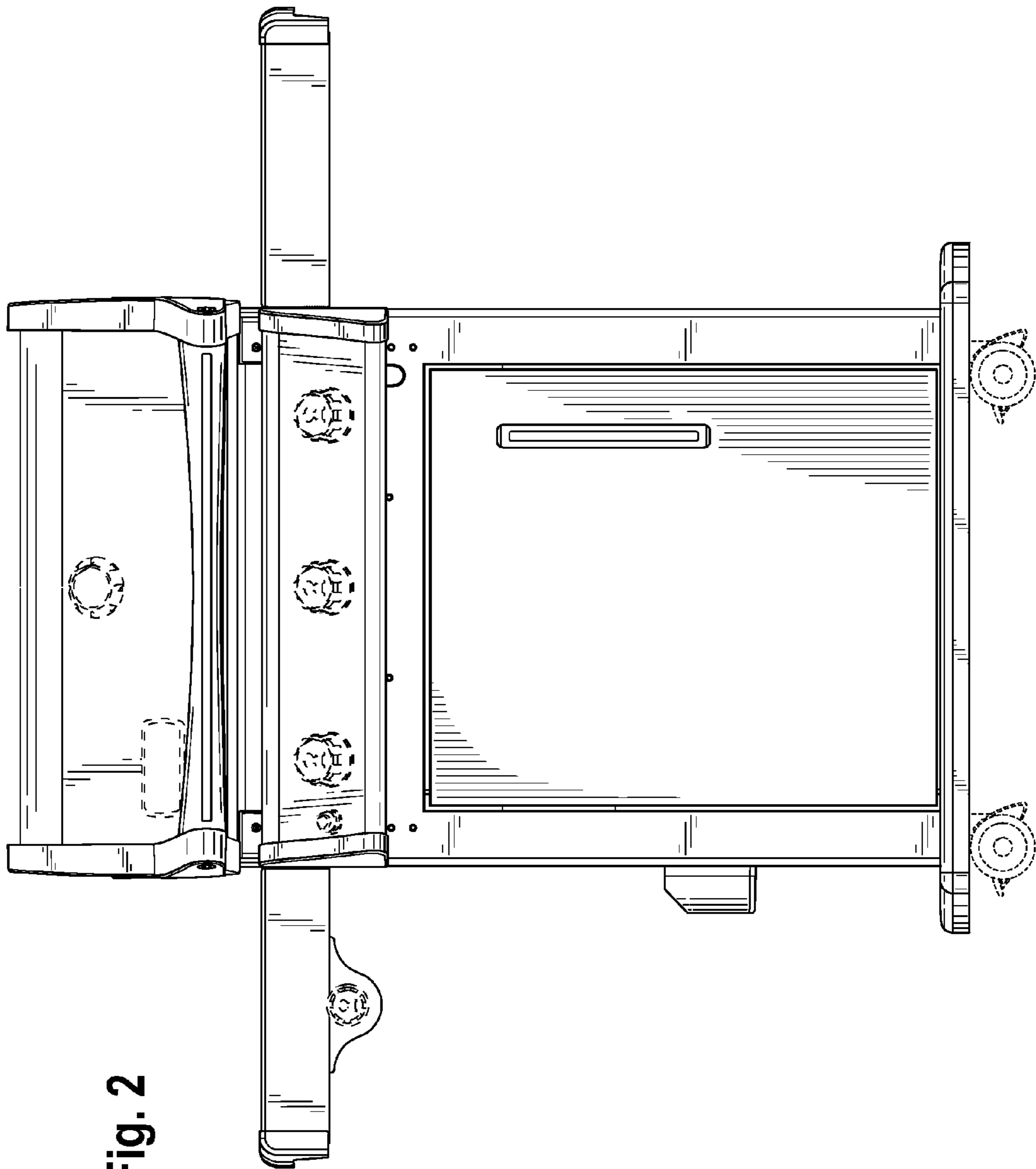


Fig. 2

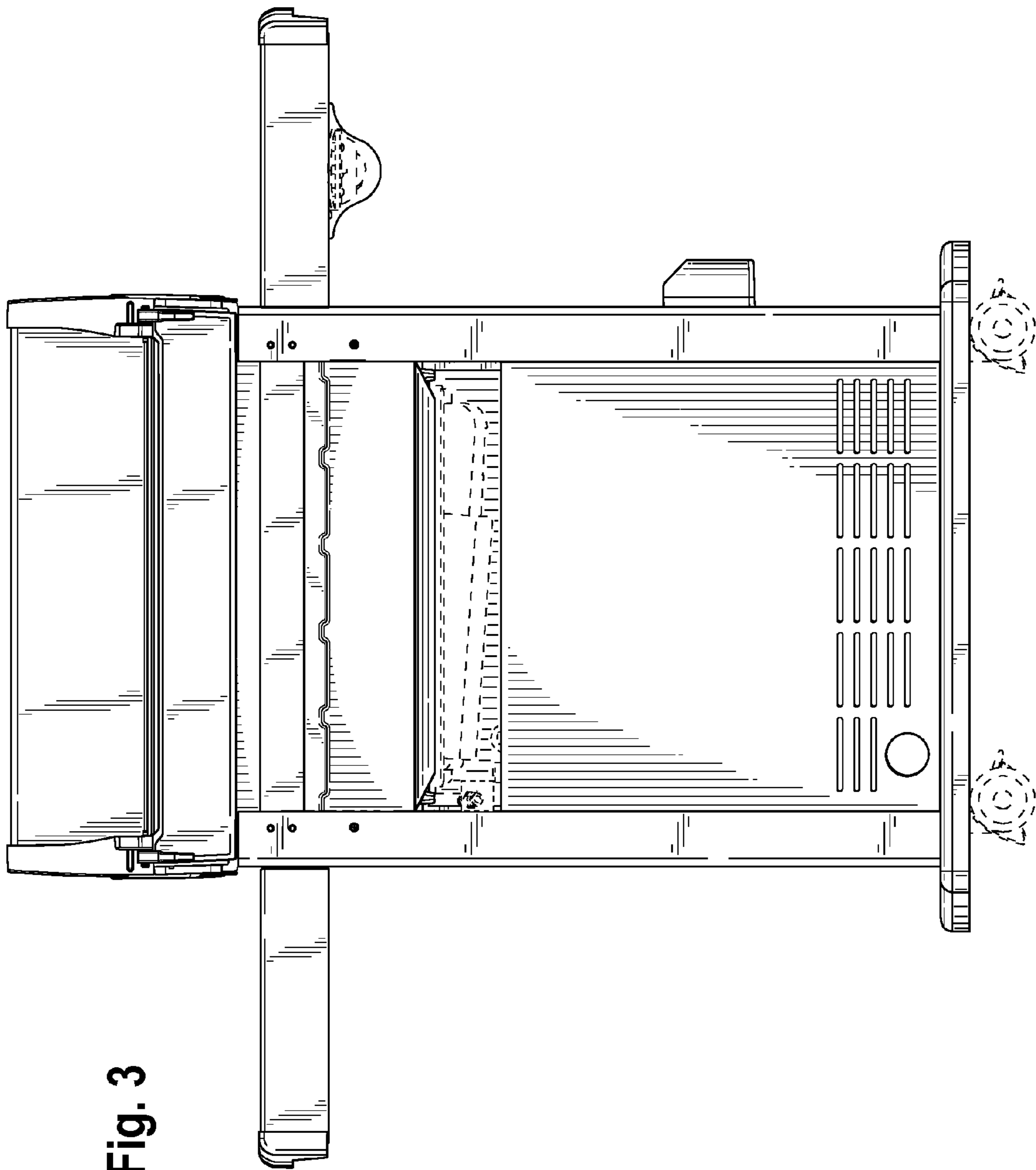


Fig. 3

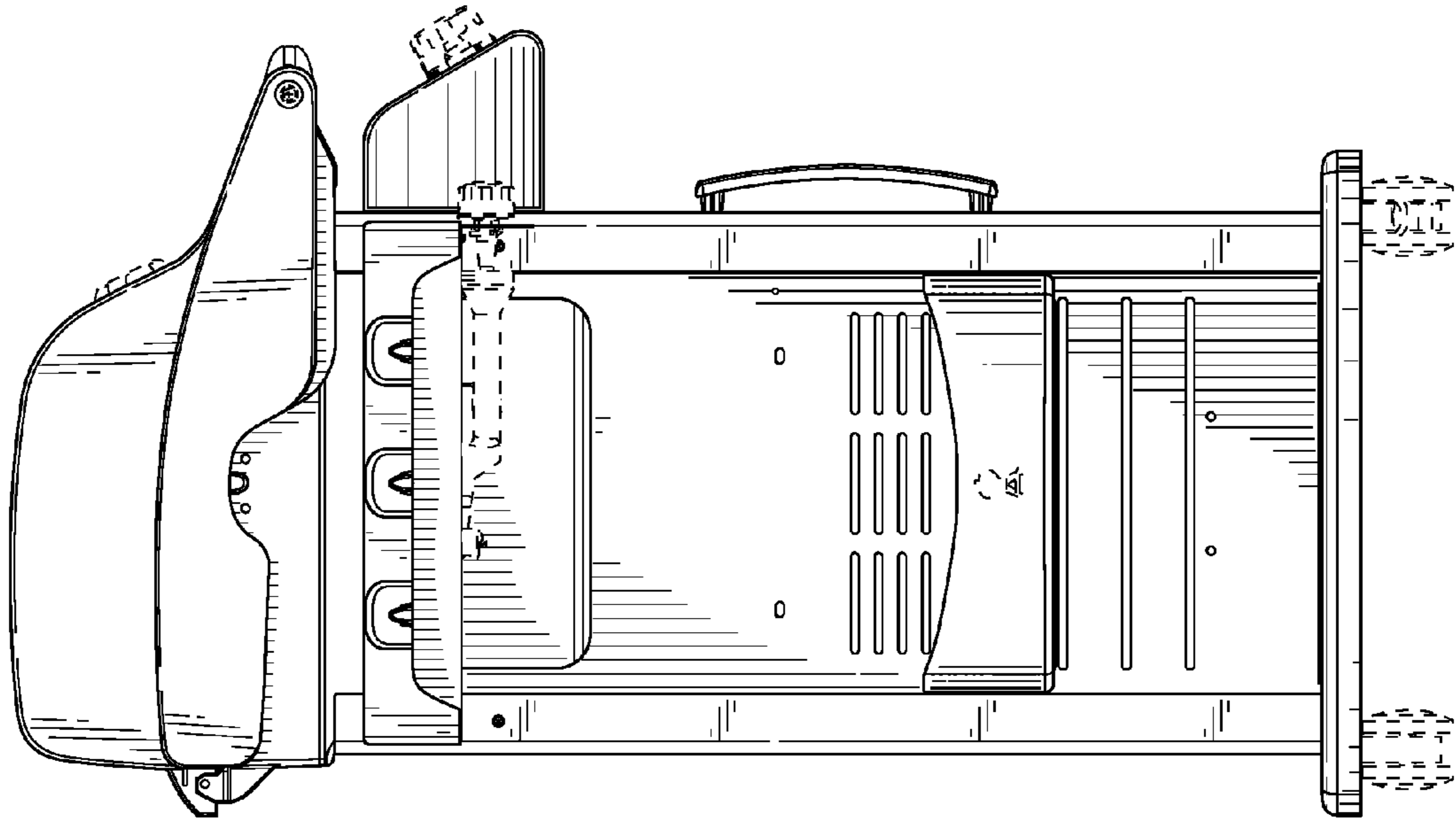


Fig. 5

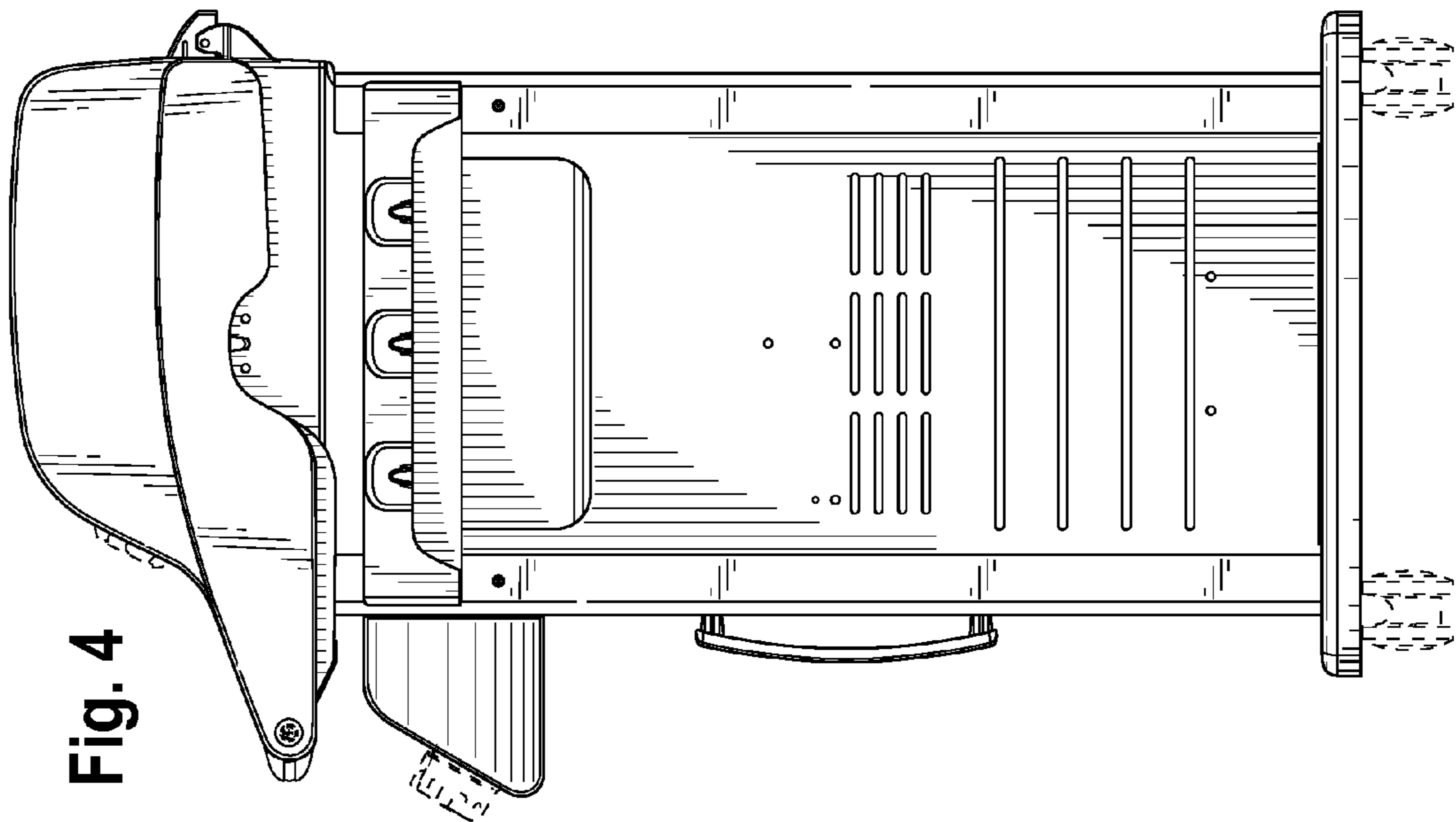


Fig. 4

Fig. 6

