



US00D694566S

(12) **United States Design Patent**
Harthoorn et al.

(10) **Patent No.:** **US D694,566 S**
(45) **Date of Patent:** **** Dec. 3, 2013**

(54) **COFFEE MACHINE**

(76) Inventors: **Jeroen Harthoorn**, Amsterdam (NL);
Maximiliaan Noordanus,
Noord-Scharwoude (NL)

(**) Term: **14 Years**

(21) Appl. No.: **29/417,682**

(22) Filed: **Apr. 6, 2012**

(30) **Foreign Application Priority Data**

Mar. 15, 2012 (EM) 002009290-0001

(51) **LOC (9) Cl.** **07-01**

(52) **U.S. Cl.**
USPC **D7/309; D7/311; D7/306**

(58) **Field of Classification Search**
USPC D7/300, 309-311, 306-308, 313;
222/146.6, 185.1, 108; 99/295, 273,
99/283, 288, 279; 426/115

See application file for complete search history.

(56) **References Cited**

U.S. PATENT DOCUMENTS

D214,480 S *	6/1969	Martin	D7/309
D241,219 S *	8/1976	Martin	D7/309
D250,195 S *	11/1978	Salmans et al.	D7/311
4,725,714 A *	2/1988	Naya et al.	392/480
D300,198 S *	3/1989	Eugster	D7/308
D365,961 S *	1/1996	Cortese	D7/309
D384,373 S *	9/1997	Wong	D19/34
D385,747 S *	11/1997	Inoue	D7/311
D399,698 S *	10/1998	Saltet	D7/309
D419,362 S *	1/2000	Bouhuys	D7/306

D446,999 S *	8/2001	Lord et al.	D7/397
D464,226 S *	10/2002	Lassota et al.	D7/306
D478,460 S *	8/2003	Chiu	D7/306
6,619,507 B2 *	9/2003	Lassota	222/108
6,708,598 B2 *	3/2004	Lassota	99/279
D497,278 S *	10/2004	Picozza et al.	D7/309
D498,110 S *	11/2004	Picozza et al.	D7/309
6,820,771 B2 *	11/2004	Lassota et al.	222/185.1
D518,328 S *	4/2006	Picozza et al.	D7/309
D550,497 S *	9/2007	Argabrite et al.	D7/307
D566,452 S *	4/2008	Wong	D7/307
D594,266 S *	6/2009	Nakatani	D7/306
D628,007 S *	11/2010	Di Bitonto et al.	D7/310
D630,039 S *	1/2011	Lin	D7/309
7,926,413 B2 *	4/2011	Hart	99/279
8,087,346 B2 *	1/2012	Webster et al.	99/283
D673,804 S *	1/2013	DeLonghi	D7/309

* cited by examiner

Primary Examiner — Marianne Pandozzi

(74) *Attorney, Agent, or Firm* — Porzio, Bromberg & Newman, P.C.

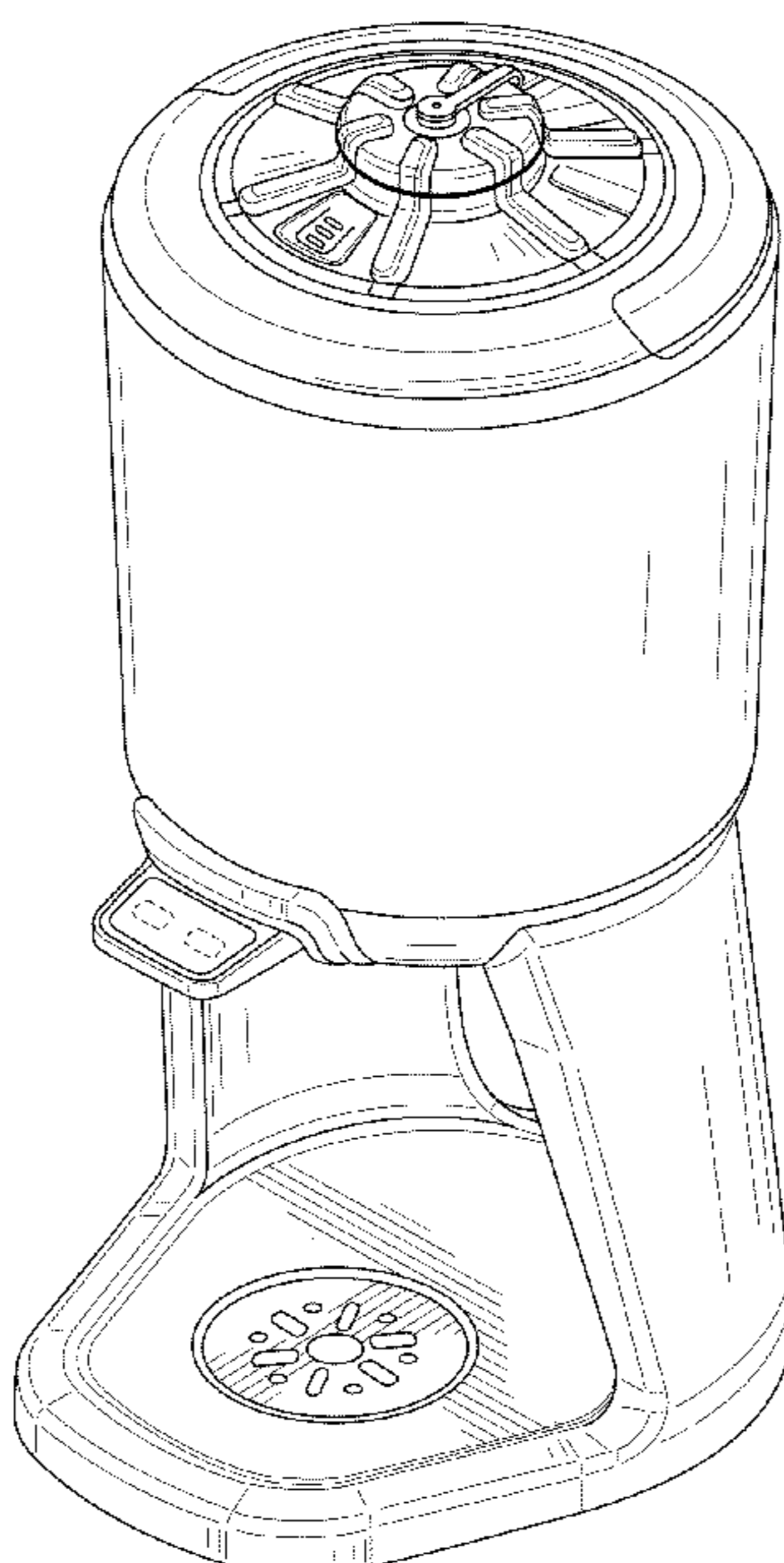
(57) **CLAIM**

We claim, the ornamental design for a coffee machine, as shown and described.

DESCRIPTION

FIG. 1 is a top plan view, showing our new design;
FIG. 2 is a right side view thereof;
FIG. 3 is a rear view thereof;
FIG. 4 is a left side view thereof;
FIG. 5 is a front view thereof;
FIG. 6 is a bottom plan view thereof; and,
FIG. 7 is a perspective view thereof.

1 Claim, 7 Drawing Sheets



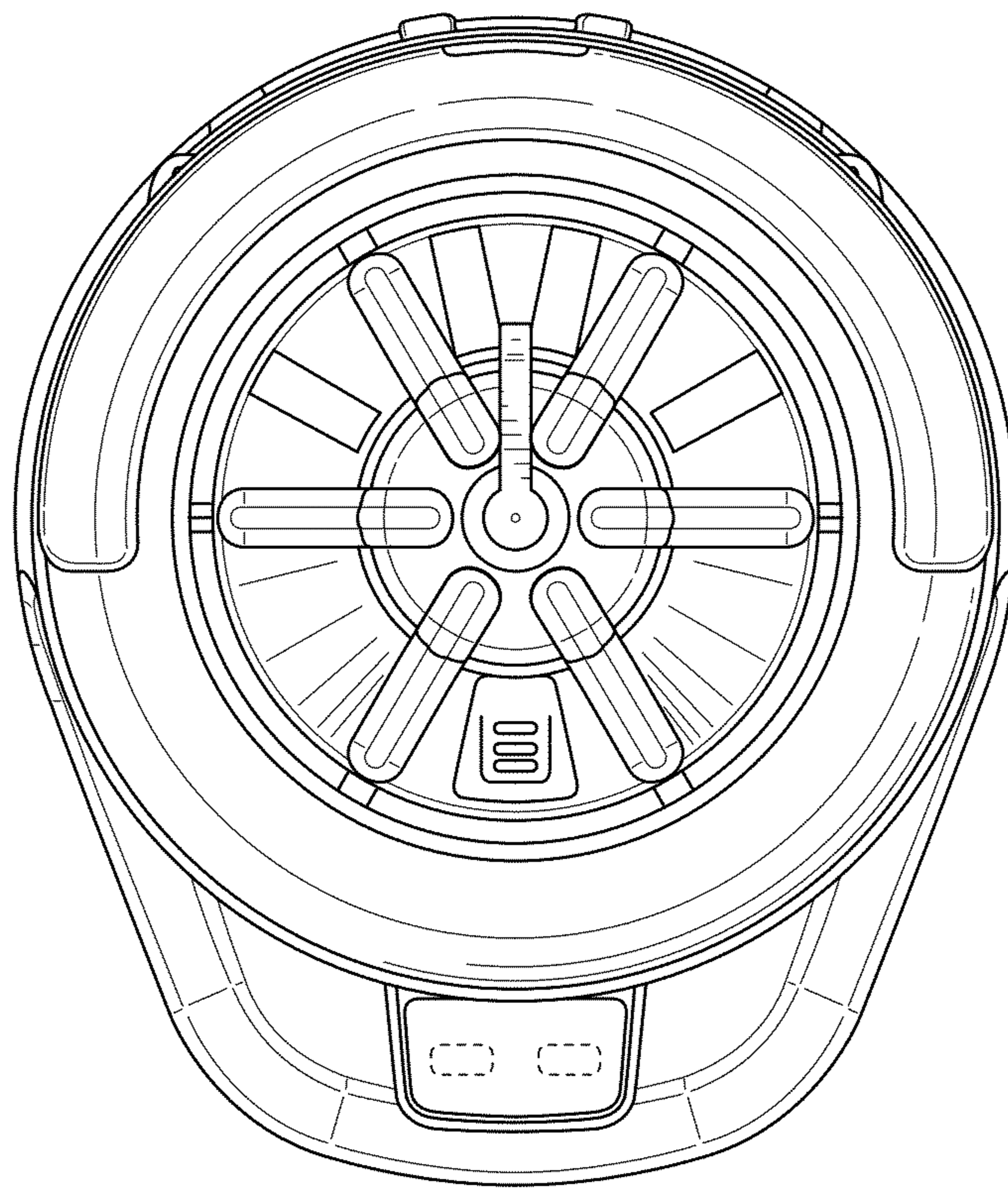


FIG. 1

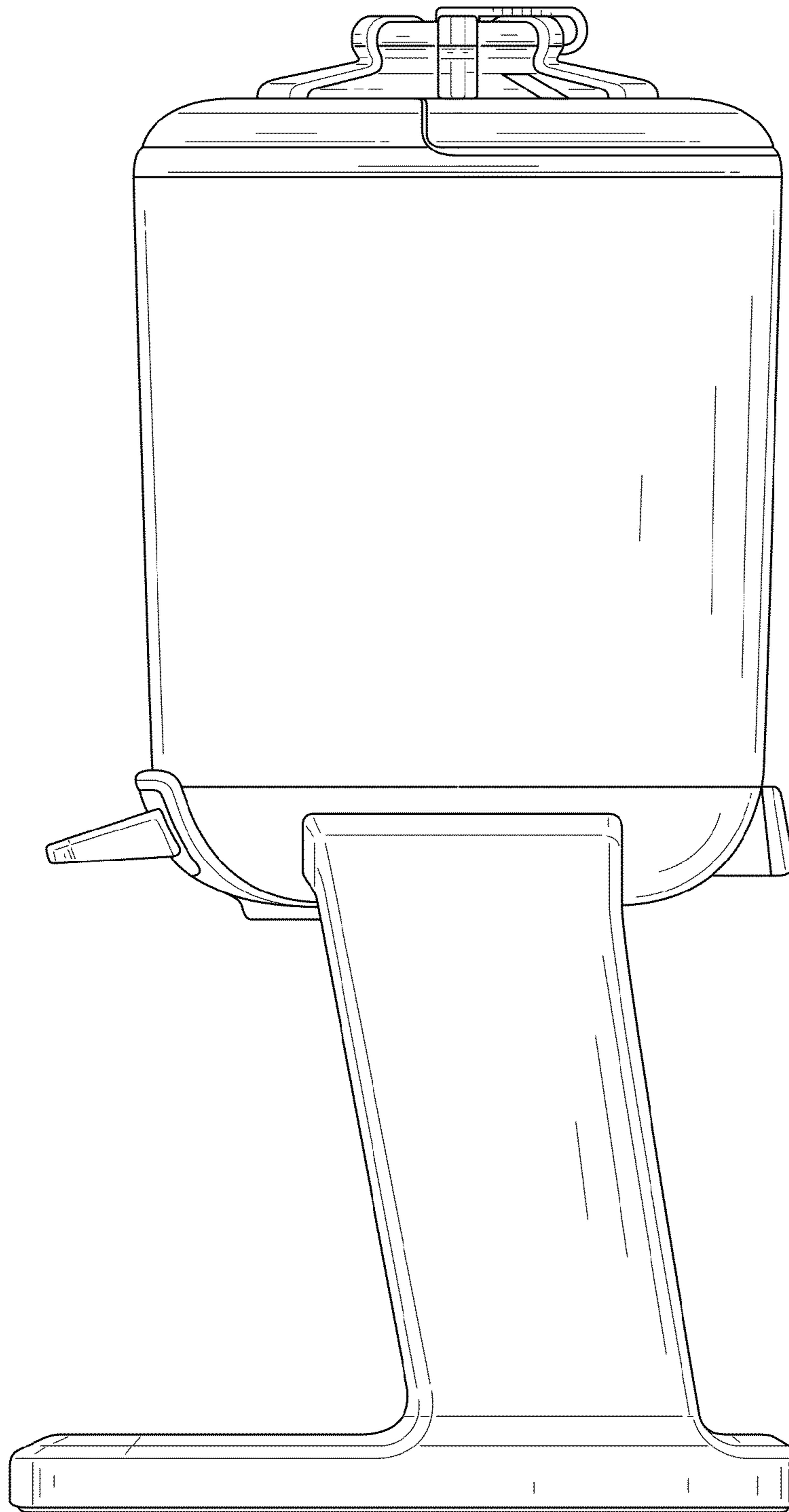


FIG. 2

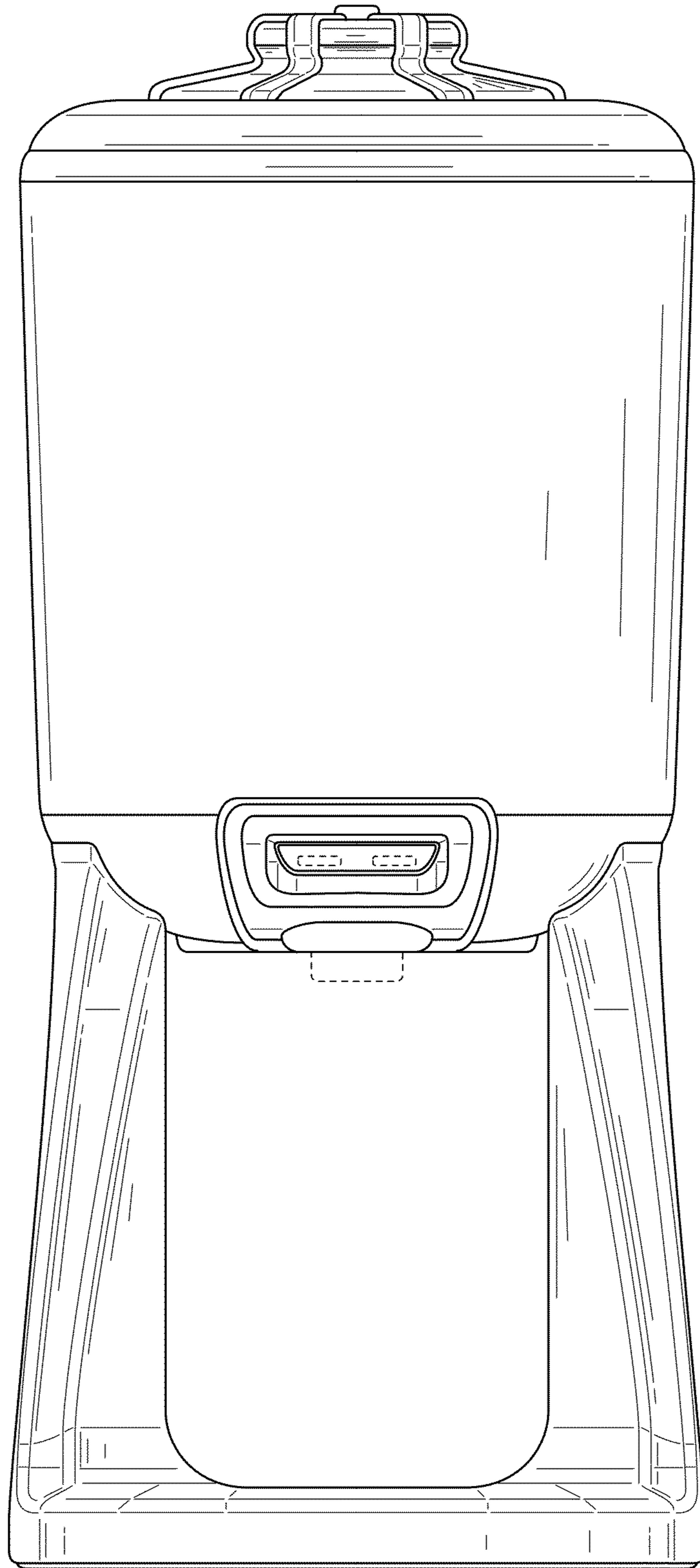


FIG. 3

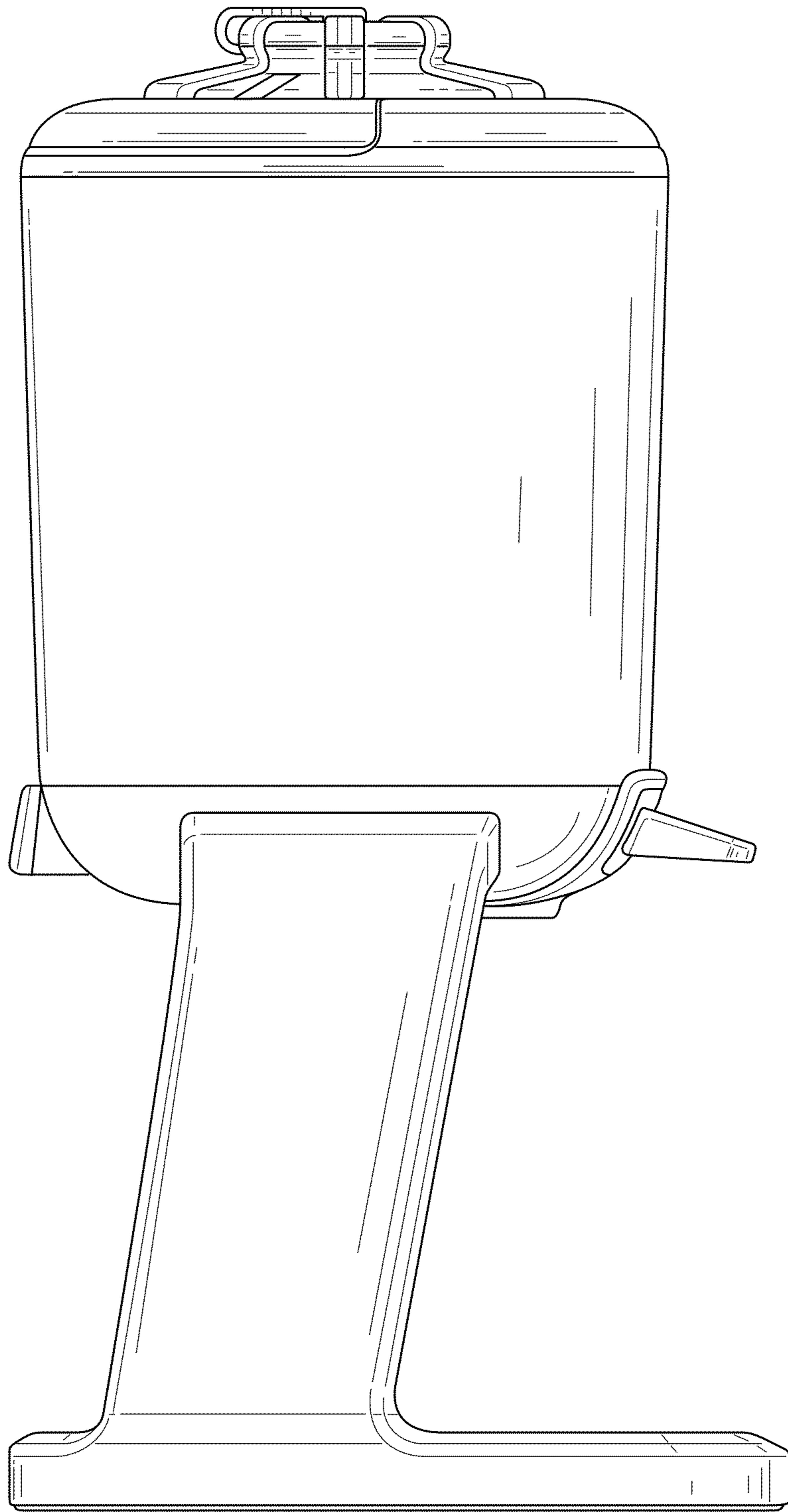


FIG. 4

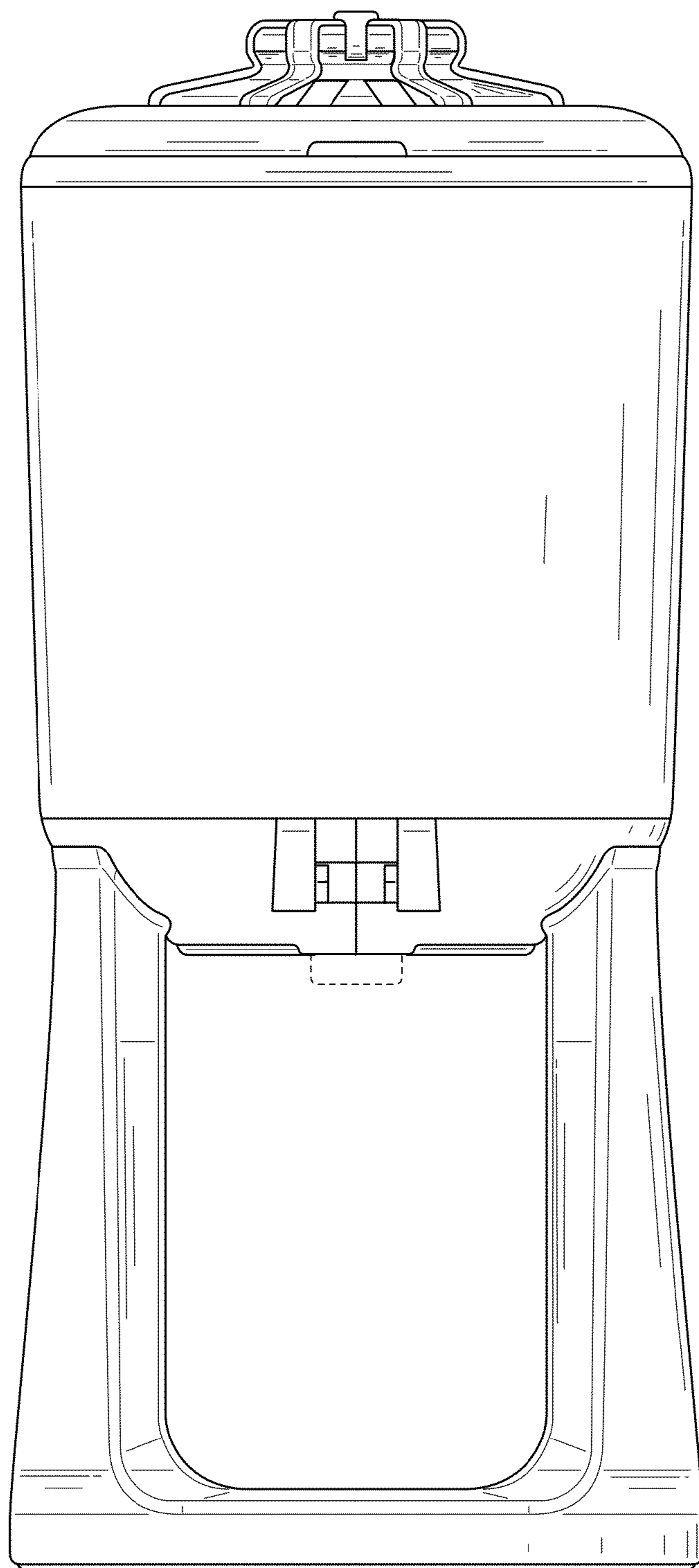


FIG. 5

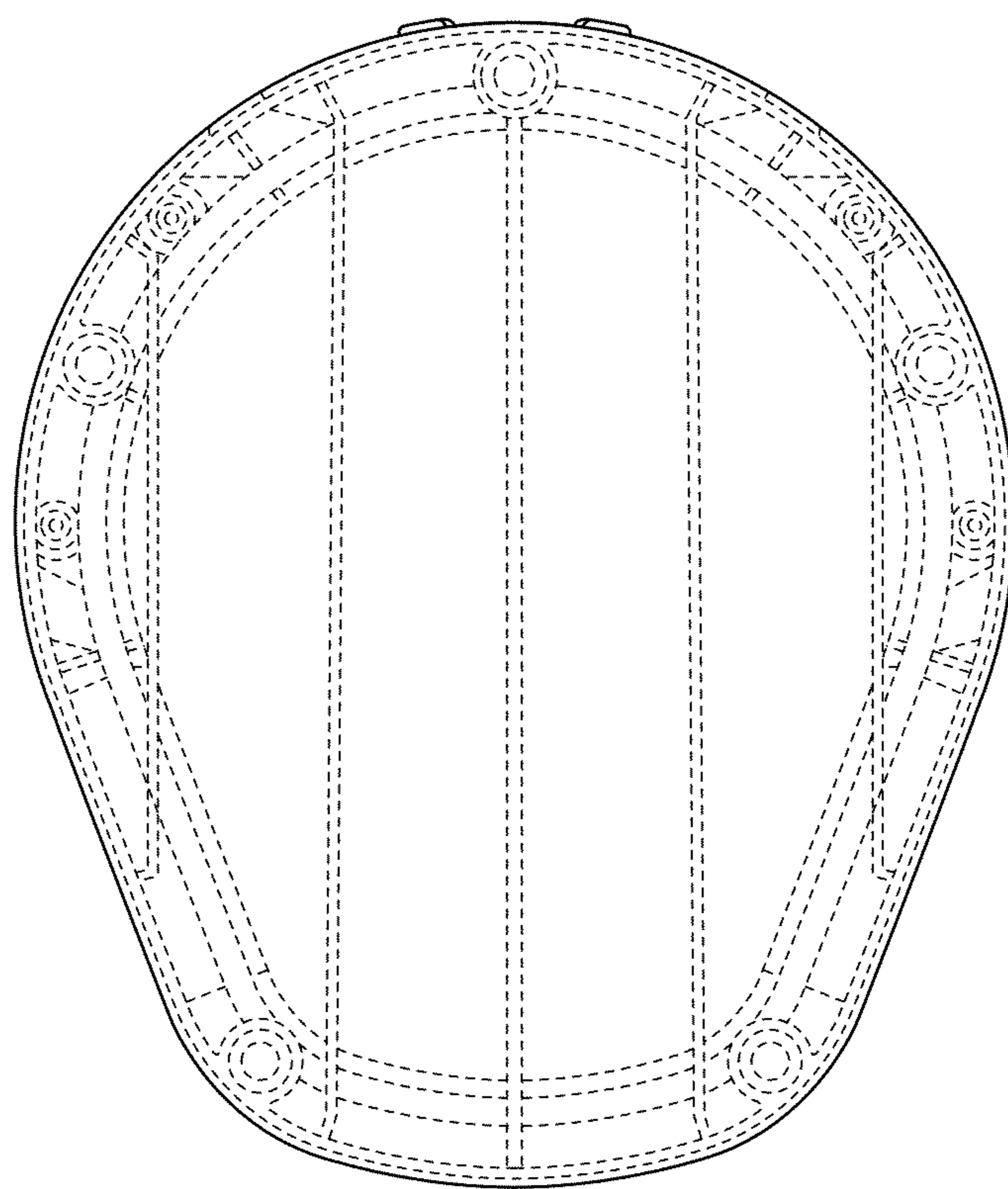


FIG. 6

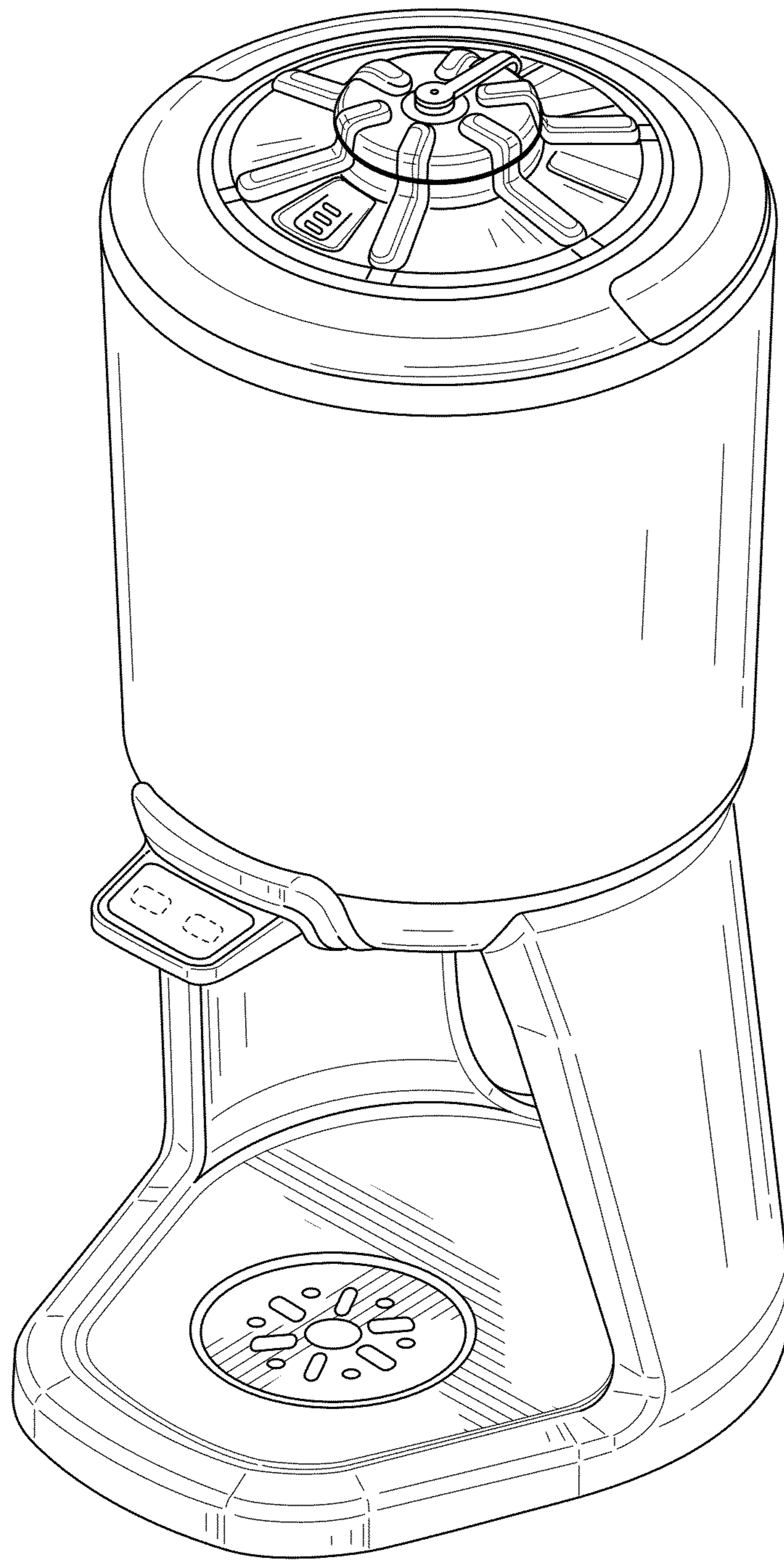


FIG. 7