



US00D694563S

(12) **United States Design Patent**
Skalka

(10) **Patent No.:** **US D694,563 S**
(45) **Date of Patent:** **** Dec. 3, 2013**

(54) **MODULAR SEAT COMPONENT**

DESCRIPTION

- (75) Inventor: **Gerald P. Skalka**, Potomac, MD (US)
- (73) Assignee: **Victor Stanley, Inc.**, Dunkirk, MD (US)
- (**) Term: **14 Years**
- (21) Appl. No.: **29/397,523**
- (22) Filed: **Jul. 18, 2011**
- (51) **LOC (9) Cl.** **06-01**
- (52) **U.S. Cl.**
USPC **D6/716.1**
- (58) **Field of Classification Search**
USPC D6/335-338, 357, 369, 702, 716, 716.1,
D6/712, 708, 708.16, 708.17; 297/135,
297/157.1, 158.2, 158.3, 158.5, 174 R, 245
See application file for complete search history.

FIG. 1 is an isometric view of a modular seat component showing a first embodiment of my new design.
 FIG. 2 is a front elevational view of the modular seat component of FIG. 1.
 FIG. 3 is a right side elevational view of the modular seat component of FIG. 1, the left side elevational view being a mirror image thereof.
 FIG. 4 is a rear elevational view of the modular seat component of FIG. 1.
 FIG. 5 is a top plan view of the modular seat component of FIG. 1.
 FIG. 6 is a bottom plan view of the modular seat component of FIG. 1.
 FIG. 7 is an isometric view of a modular seat component showing a second embodiment of my new design.
 FIG. 8 is a front elevational view of the modular seat component of FIG. 7.
 FIG. 9 is a right side elevational view of the modular seat component of FIG. 7, the left side elevational view being a mirror image thereof.
 FIG. 10 is a rear elevational view of the modular seat component of FIG. 7.
 FIG. 11 is a top plan view of the modular seat component of FIG. 7.
 FIG. 12 is a bottom plan view of the modular seat component of FIG. 7.
 FIG. 13 is an isometric view of a modular seat component showing a third embodiment of my new design.
 FIG. 14 is a front elevational view of the modular seat component of FIG. 13.
 FIG. 15 is a right side elevational view of the modular seat component of FIG. 13, the left side elevational view being a mirror image thereof.
 FIG. 16 is a rear elevational view of the modular seat component of FIG. 13.
 FIG. 17 is a top plan view of the modular seat component of FIG. 13; and,
 FIG. 18 is a bottom plan view of the modular seat component of FIG. 13.

(56) **References Cited**

U.S. PATENT DOCUMENTS

D313,128 S	12/1990	Serafini	
D365,937 S *	1/1996	Skalka D6/370
D396,358 S *	7/1998	Geier D6/349
D413,734 S	9/1999	Bue	

(Continued)

OTHER PUBLICATIONS

Victor Stanley, Inc. Steelsites(TM) Series RND-363 Table (2010).

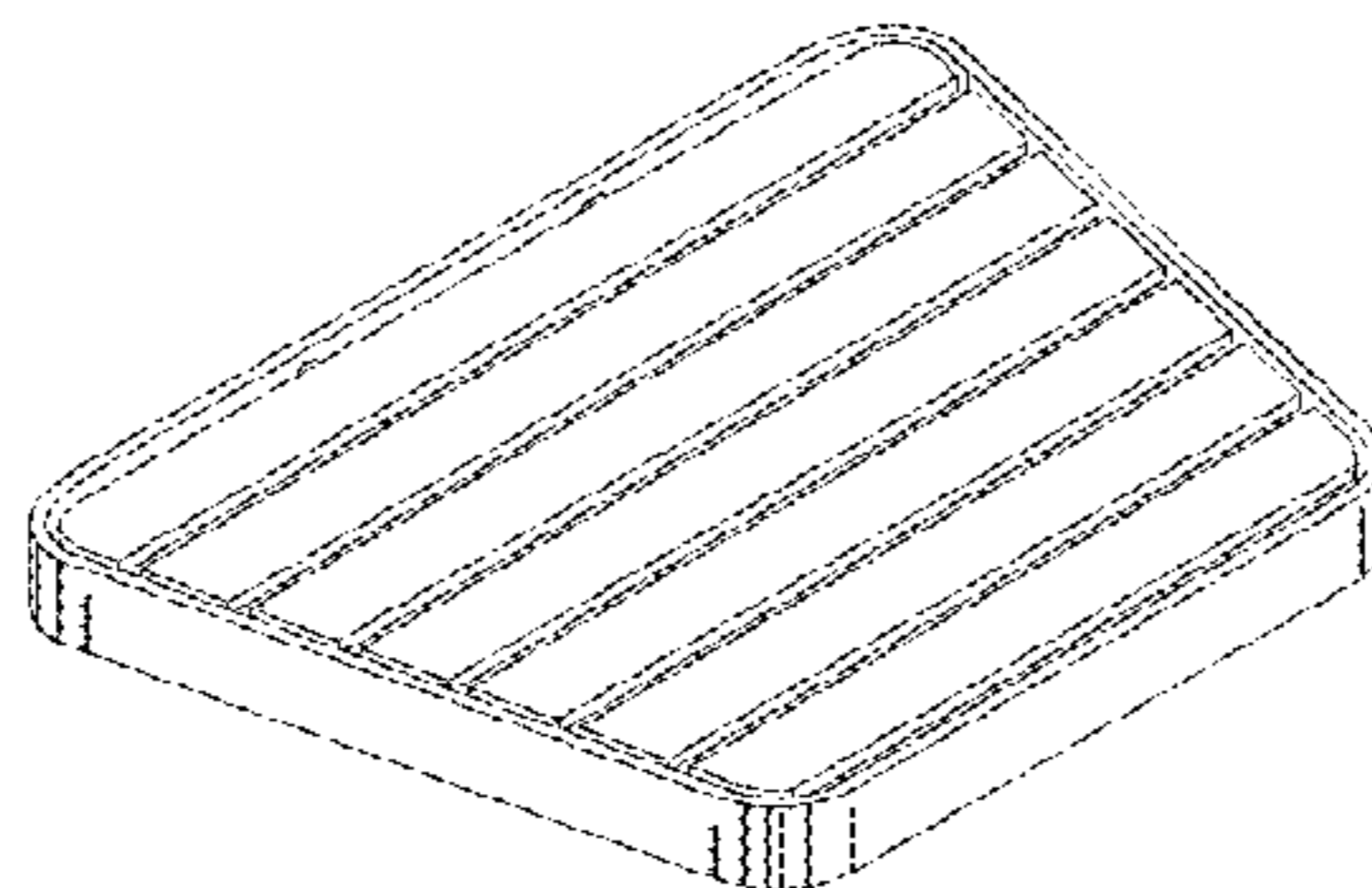
(Continued)

Primary Examiner — Sandra Snapp
(74) *Attorney, Agent, or Firm* — Westerman, Hattori, Daniels & Adrian, LLP

(57) **CLAIM**

The ornamental design for a modular seat component, as shown and described.

1 Claim, 3 Drawing Sheets



(56)

References Cited

U.S. PATENT DOCUMENTS

D448,938 S 10/2001 Ng et al.
D453,424 S * 2/2002 Stewart D6/349
D457,738 S * 5/2002 Slear et al. D6/355
D478,732 S 8/2003 Pajerski et al.
D479,406 S 9/2003 Pajerski et al.
D479,773 S 9/2003 Pajerski et al.
D522,775 S * 6/2006 Skalka D6/495
D523,650 S * 6/2006 Skalka D6/349
D526,805 S * 8/2006 Skalka D6/381
D536,184 S * 2/2007 Skalka D6/349
7,252,331 B1 * 8/2007 Walton 297/232
D595,973 S * 7/2009 Skalka D6/381

D599,570 S * 9/2009 Skalka D6/355
D604,520 S 11/2009 Wegman
D604,521 S 11/2009 Wegman
D604,522 S 11/2009 Wegman
D604,523 S 11/2009 Wegman
D621,629 S 8/2010 Weimer et al.

OTHER PUBLICATIONS

Victor Stanley, Inc. Steelsites(TM) Series CRPR-4 Table (2010).
Victor Stanley, Inc. Steelsites(TM) Series Benches and Seating Brochure (2010).
Victor Stanley, Inc. Streetsites(TM) Series Brochure (2010).

* cited by examiner

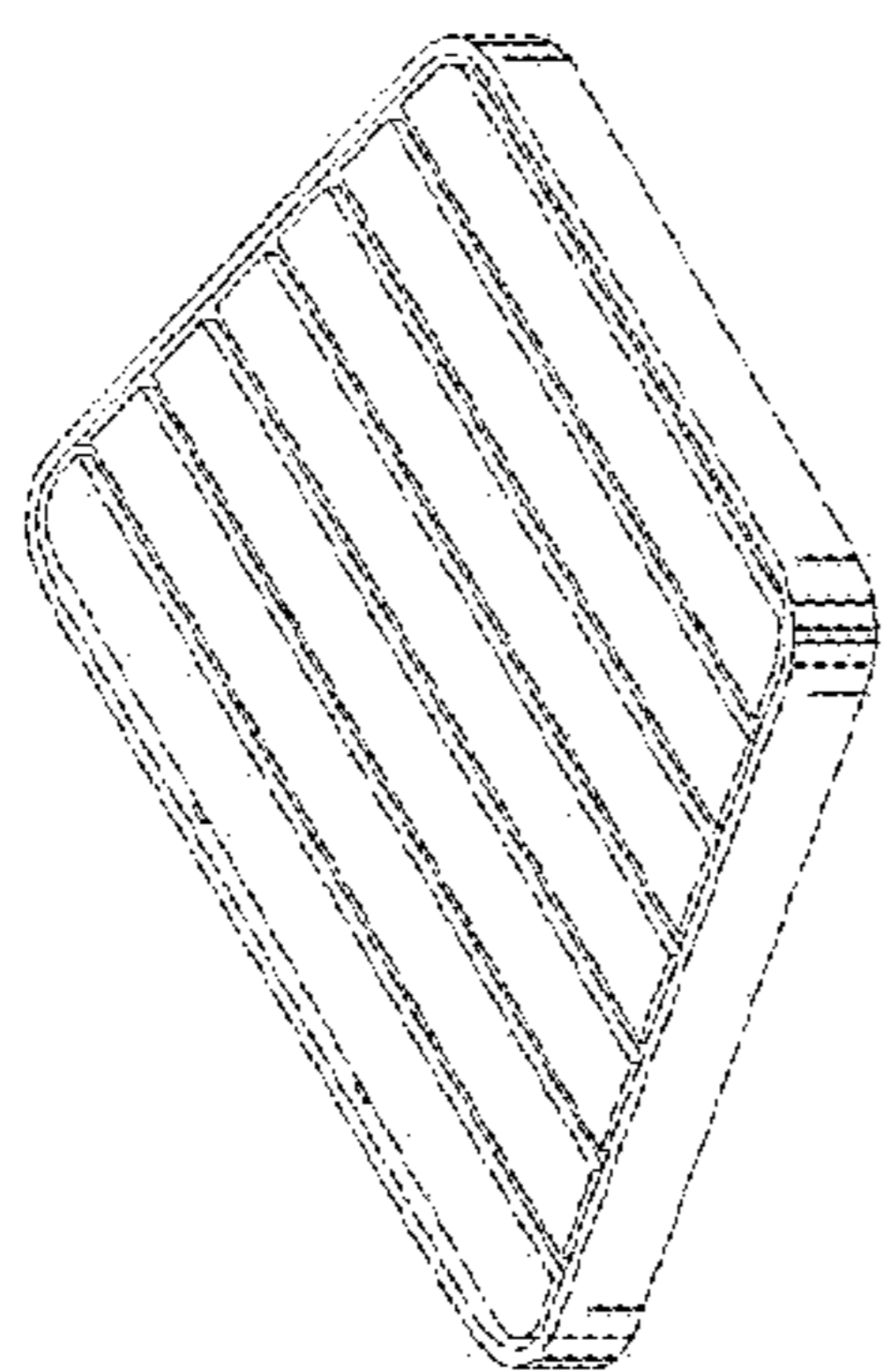


FIG. 1

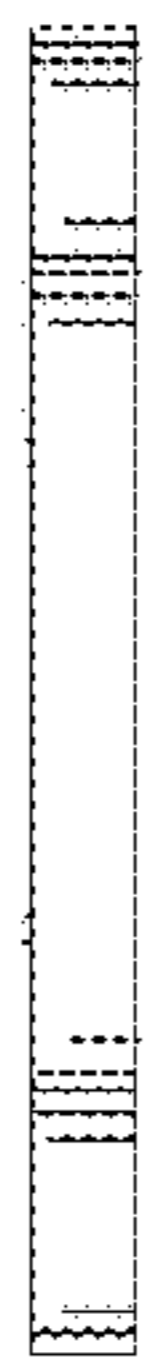


FIG. 2



FIG. 3

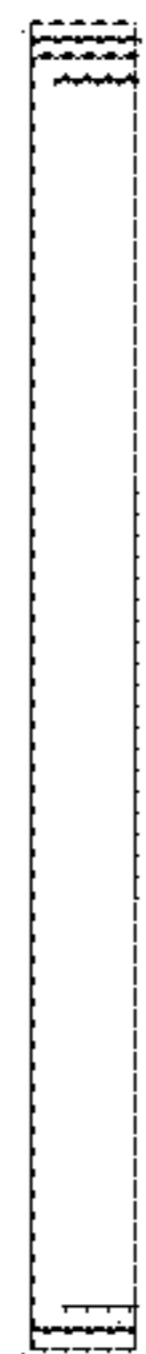


FIG. 4

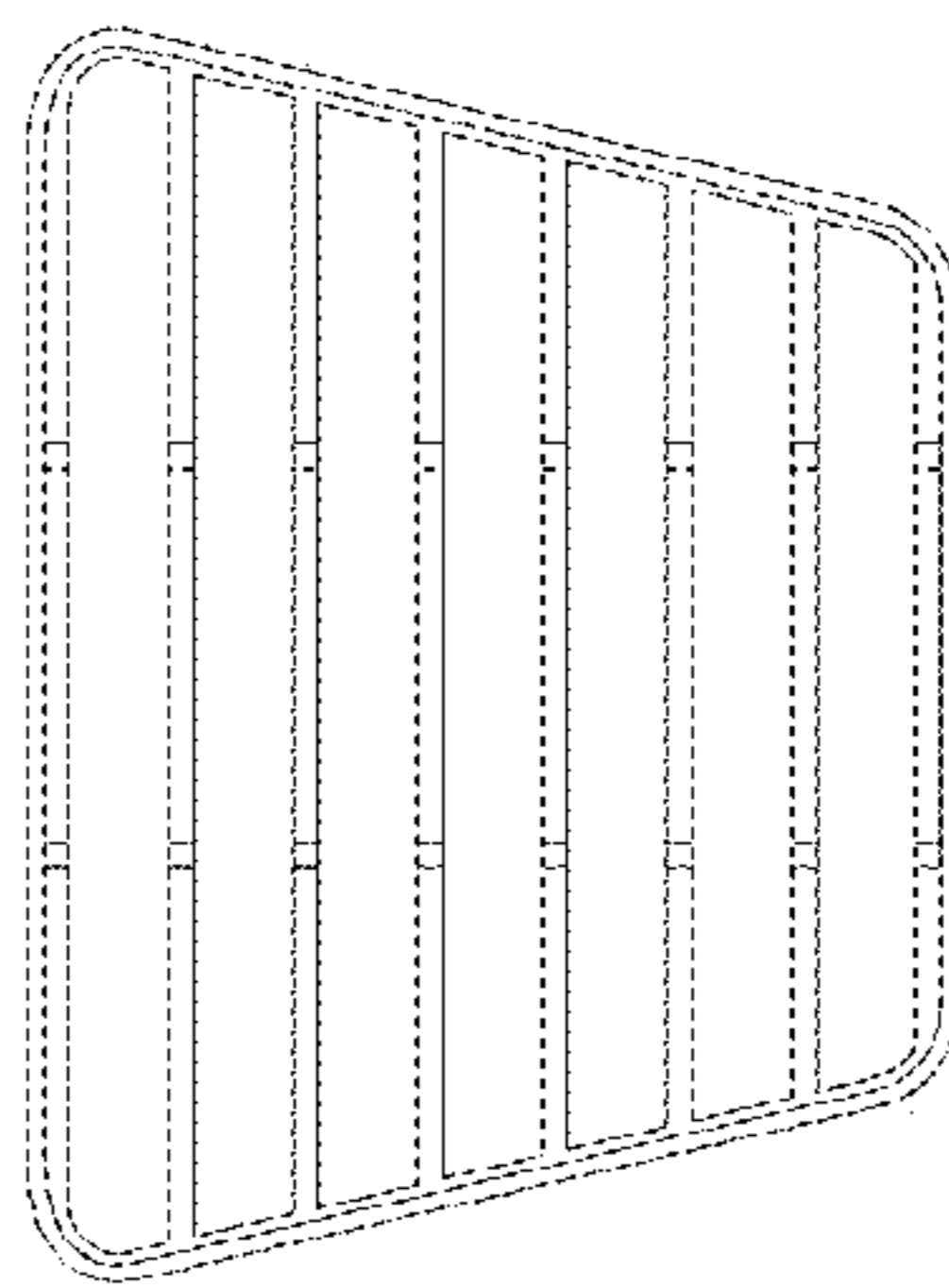


FIG. 5

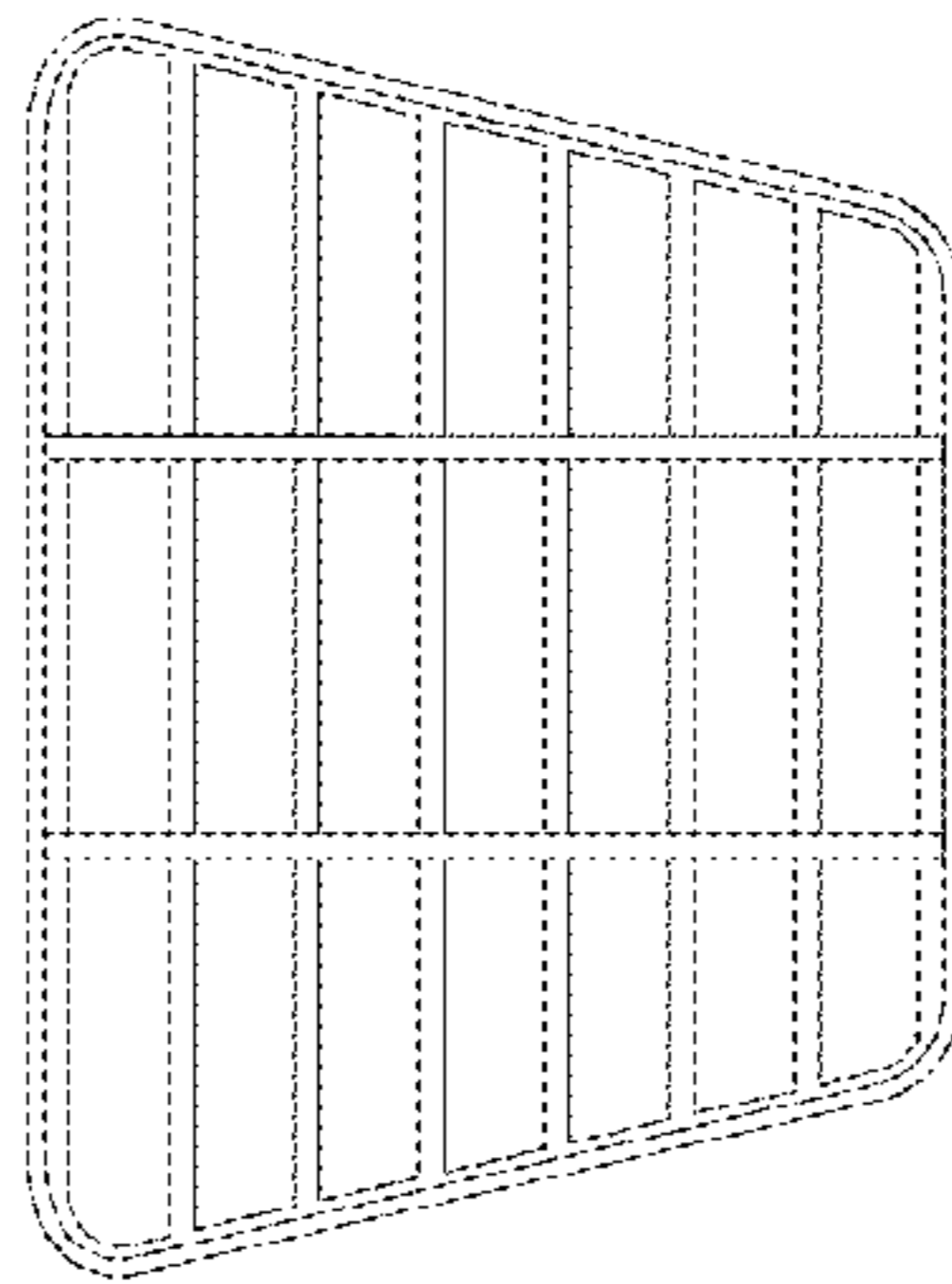


FIG. 6

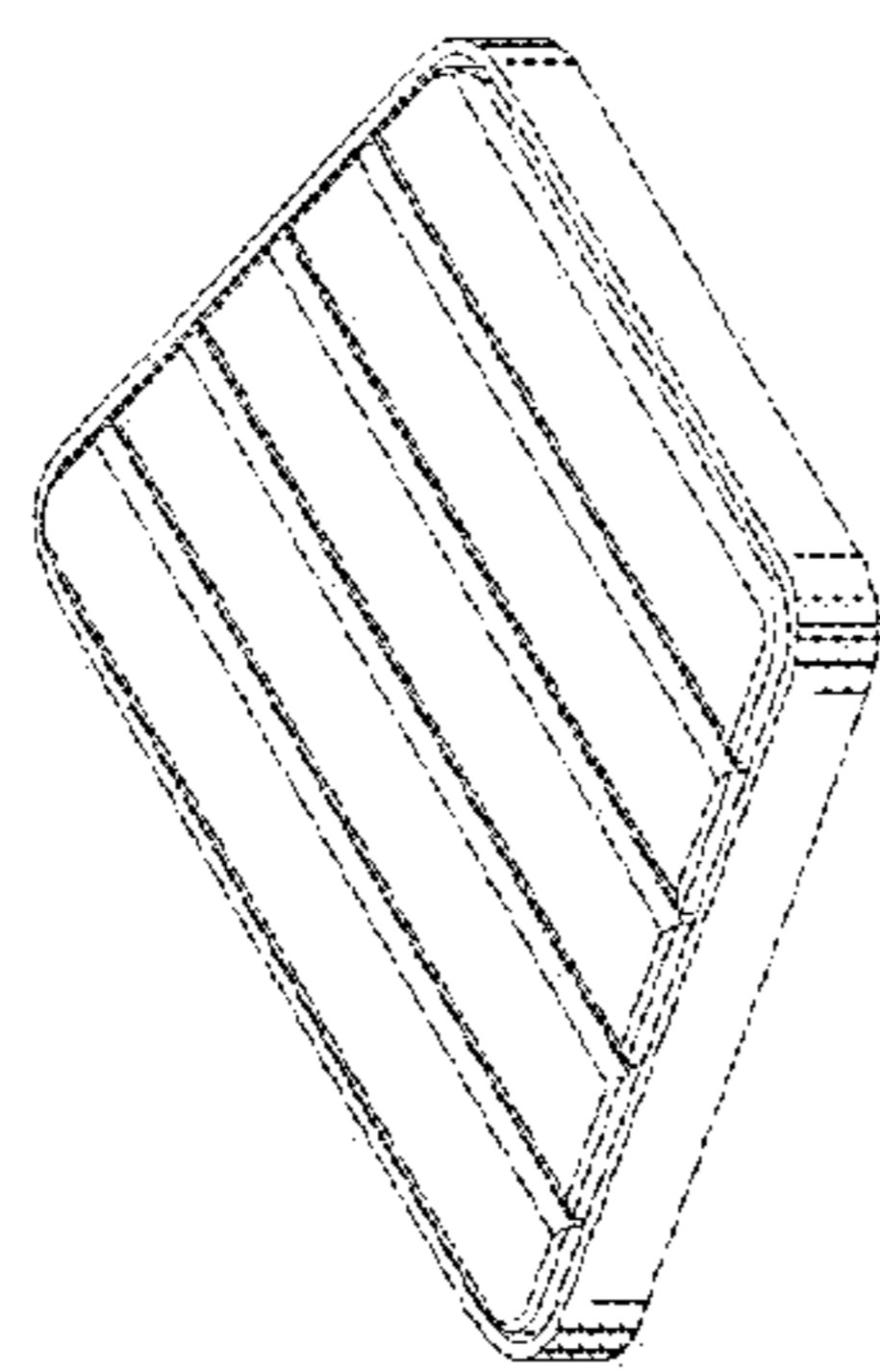


FIG. 7



FIG. 8



FIG. 9



FIG. 10

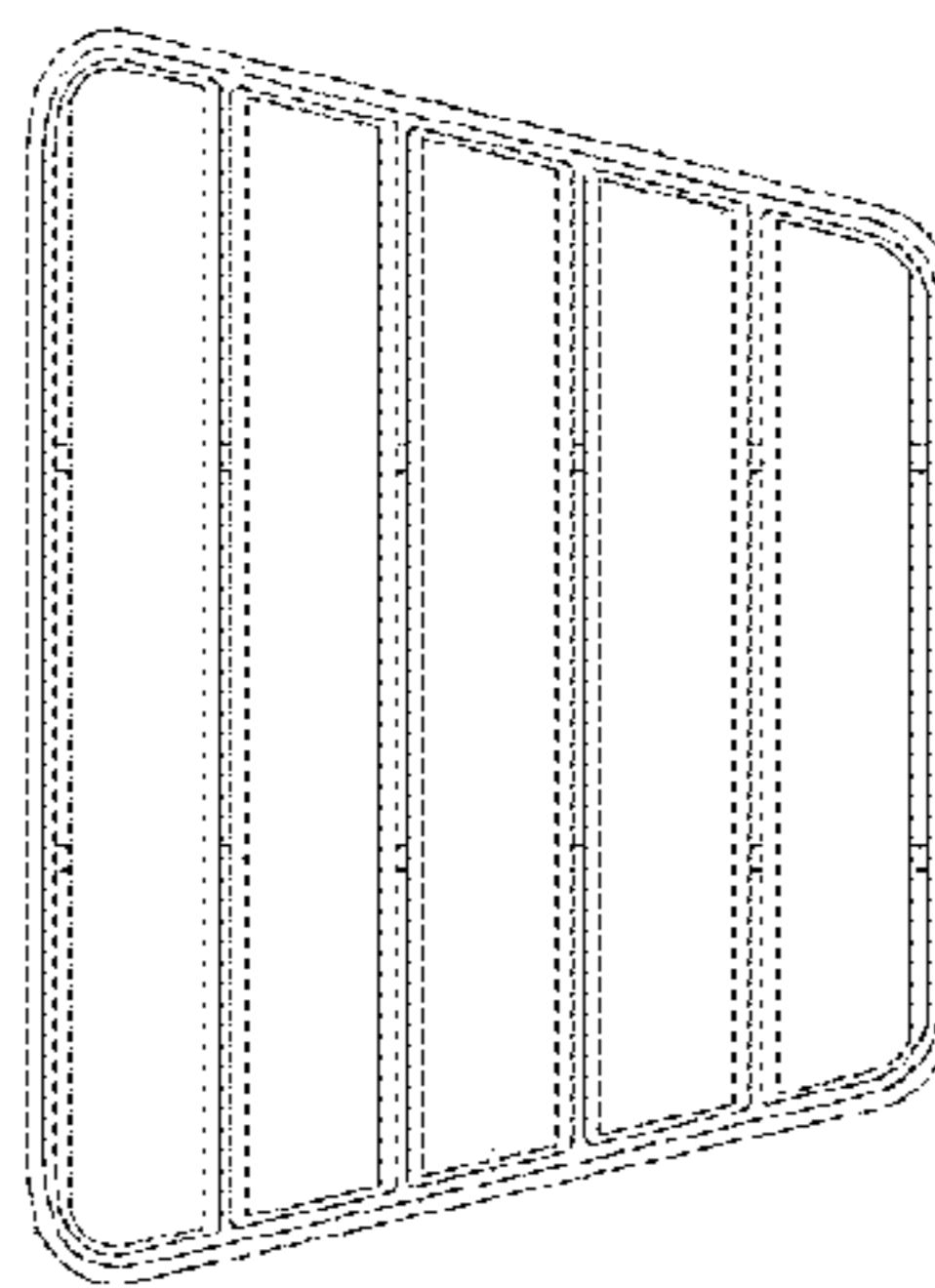


FIG. 11

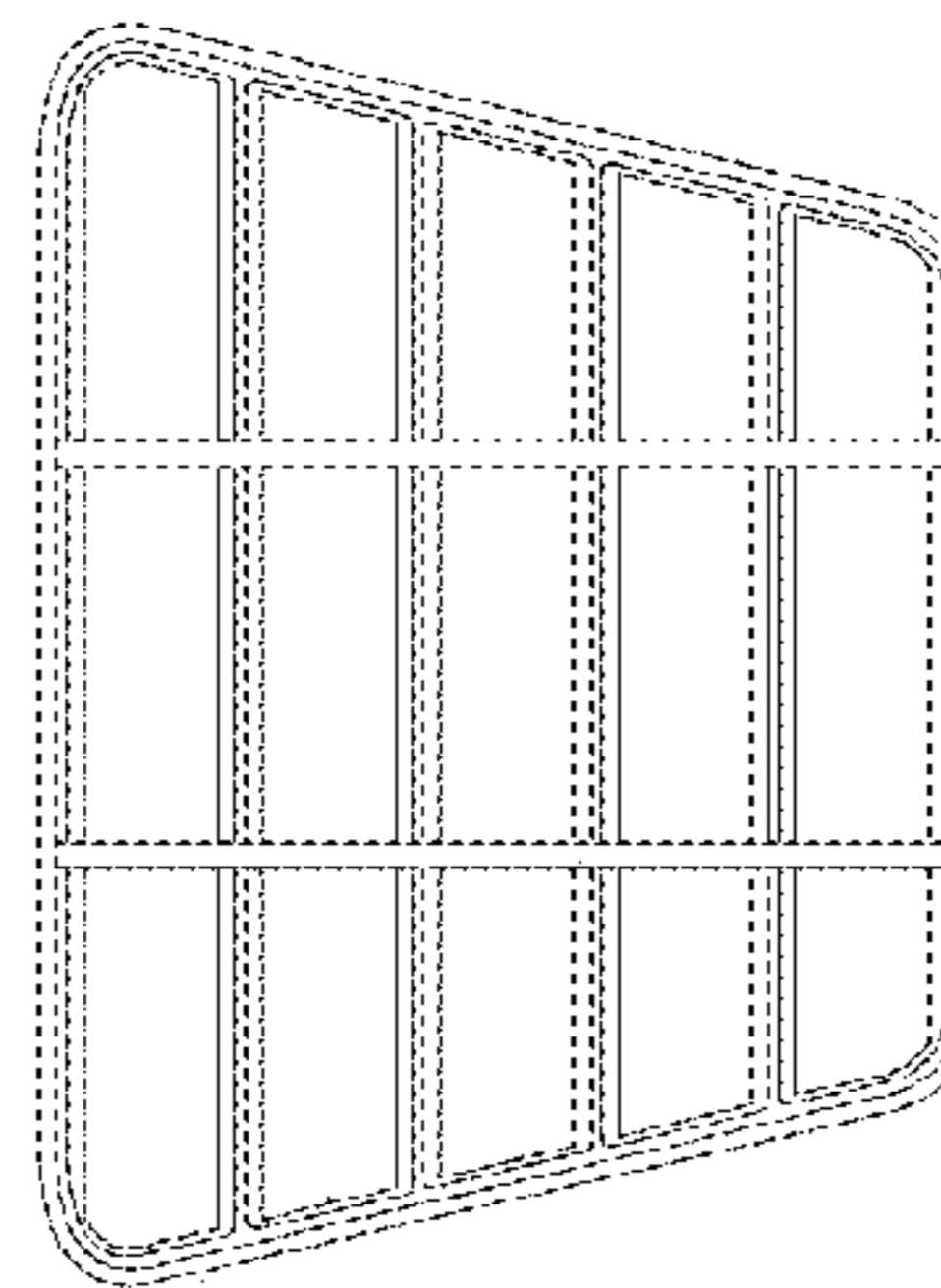


FIG. 12

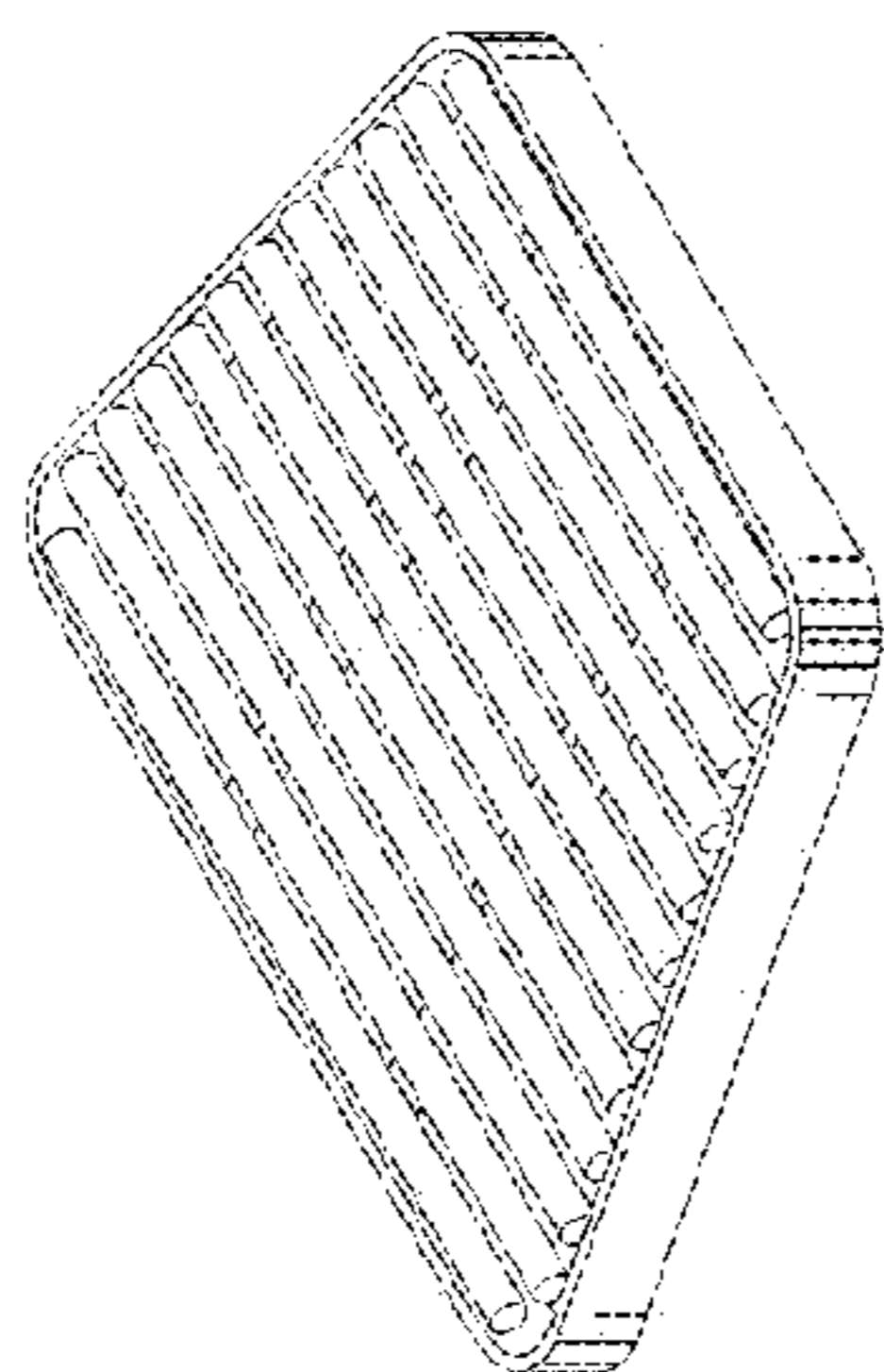


FIG. 13

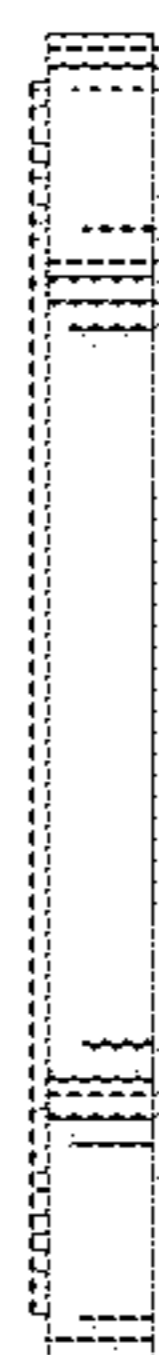


FIG. 14

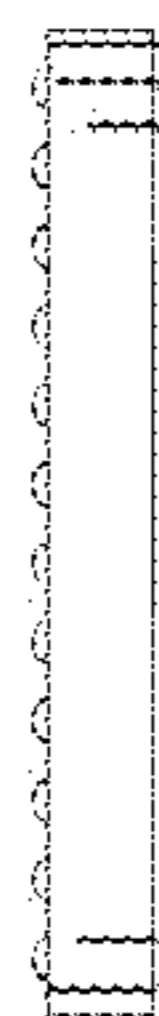


FIG. 15

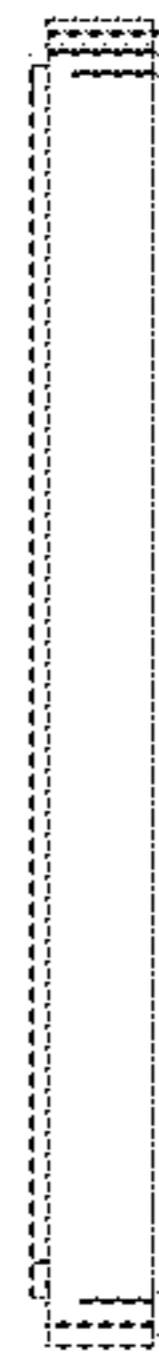


FIG. 16

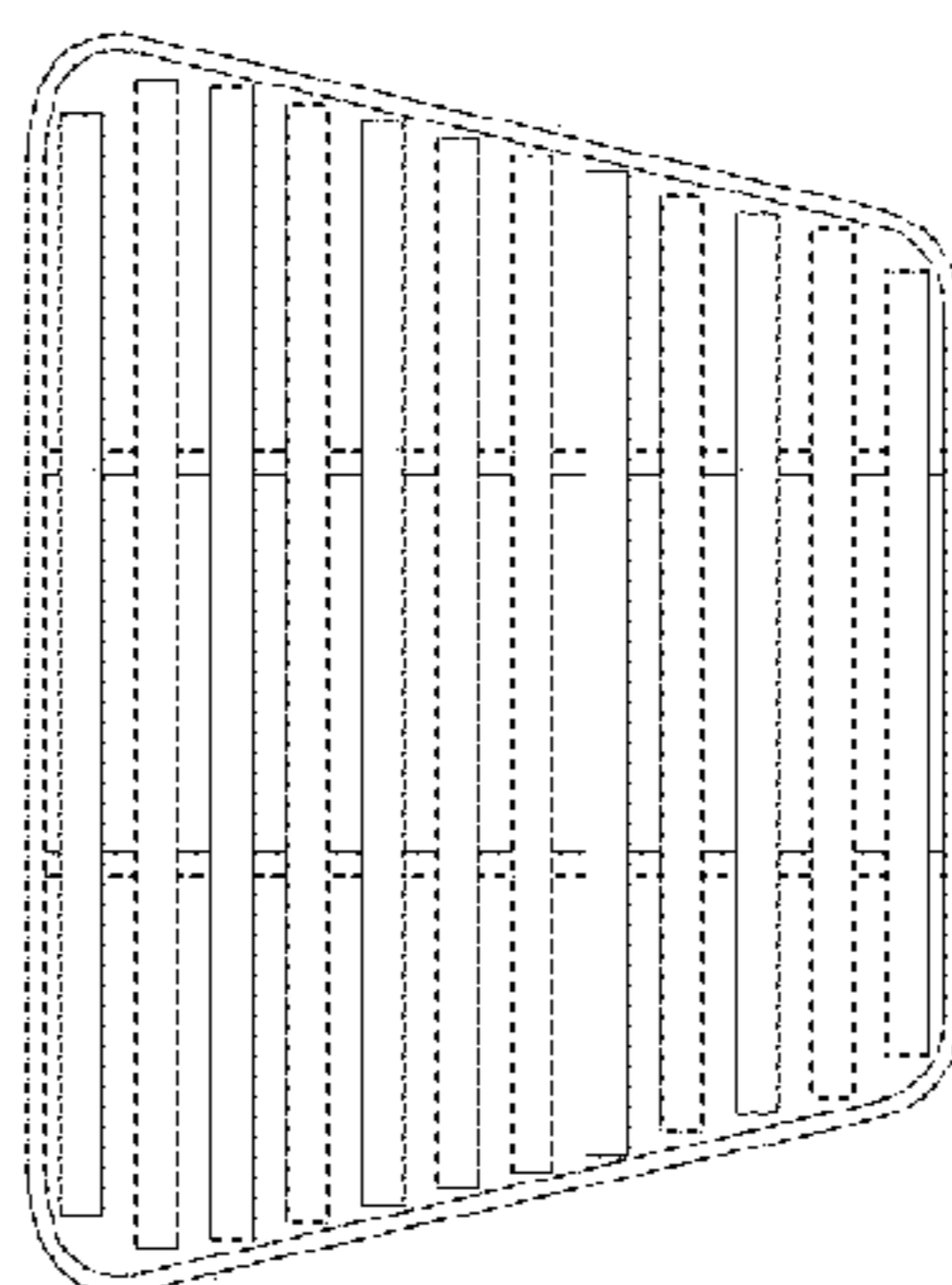


FIG. 17

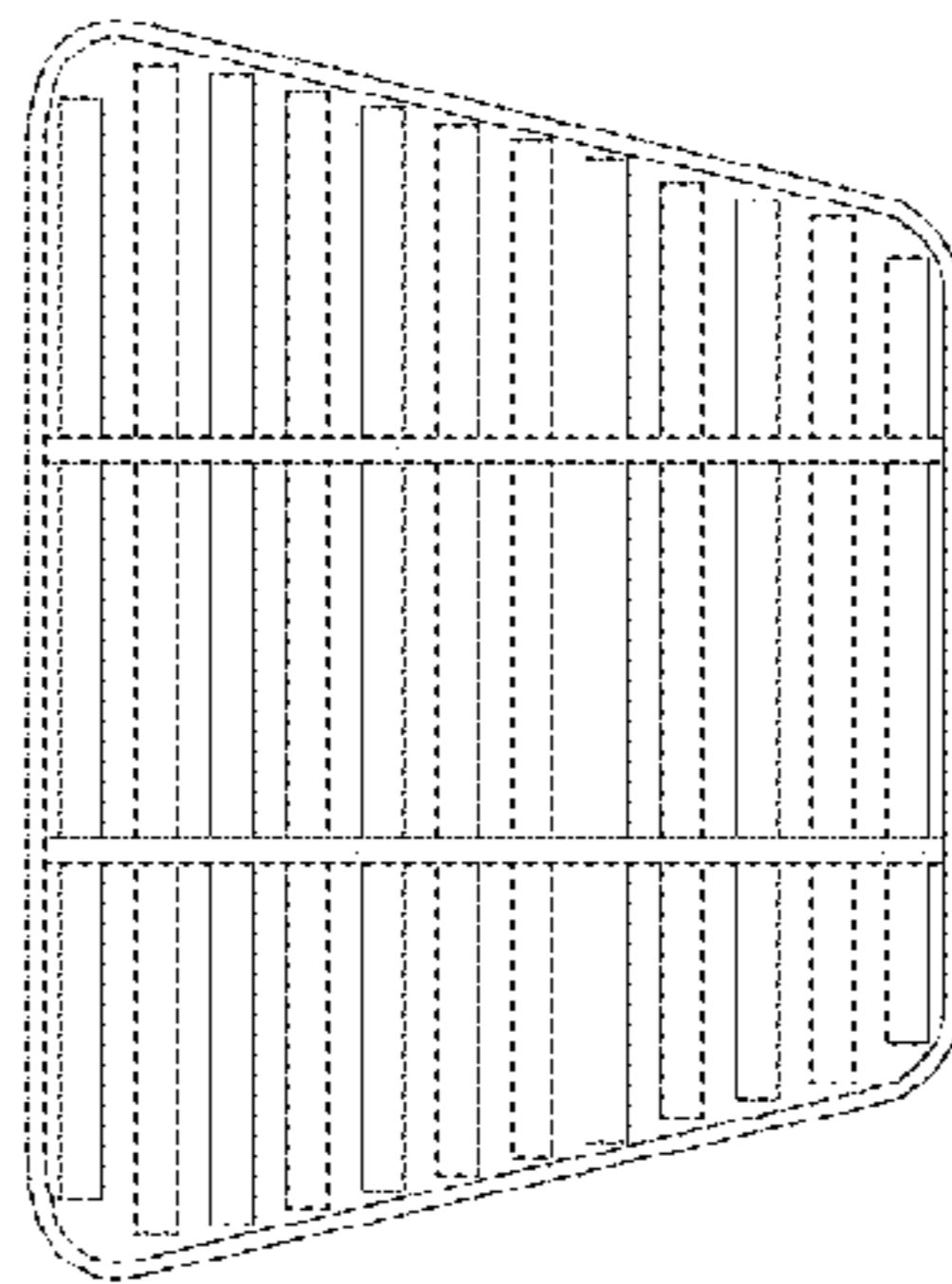


FIG. 18