



US00D694562S

(12) **United States Design Patent**
Lenterman

(10) **Patent No.:** **US D694,562 S**
(45) **Date of Patent:** **** Dec. 3, 2013**

- (54) **BAR STOOL BASE**
- (71) Applicant: **Intro-Tech Automotive, Inc.**, Chino, CA (US)
- (72) Inventor: **Henri B. Lenterman**, Chino Hills, CA (US)
- (73) Assignee: **Intro-Tech Automotive, Inc.**, Chino, CA (US)
- (**) Term: **14 Years**
- (21) Appl. No.: **29/434,696**
- (22) Filed: **Oct. 16, 2012**
- (51) **LOC (9) Cl.** **06-01**
- (52) **U.S. Cl.**
USPC **D6/708.17; D6/708.24**
- (58) **Field of Classification Search**
USPC D6/334-336, 356, 360, 364, 365, 366, D6/367, 374, 375, 379, 380, 708.17, D6/708.23, 708.24, 716, 716.1, 716.2, D6/716.3, 716.6, 716.7; 297/344.12, 297/344.18, 344.21, 423.1, 423.38, 423.4, 297/451.4, 451.5, 461, 463.1; 248/188.7
See application file for complete search history.

(56) **References Cited**

U.S. PATENT DOCUMENTS

D249,405 S *	9/1978	Ambasz	D6/366
D257,473 S *	11/1980	Wilson	D6/360
D273,729 S *	5/1984	Pelly et al.	D6/366
D273,917 S *	5/1984	Pelly et al.	D6/366

D274,865 S *	7/1984	Murry	D6/360
D274,958 S *	8/1984	Aronowitz et al.	D6/360
D296,623 S *	7/1988	Chadwick et al.	D6/360
D381,823 S *	8/1997	Ellsworth et al.	D6/360
D488,630 S *	4/2004	McCann	D6/366
D587,476 S *	3/2009	Lenterman	D6/366
D589,284 S *	3/2009	Lenterman	D6/708.17
D611,262 S *	3/2010	Grcic	D6/366
D665,183 S *	8/2012	Welsh	D6/360

* cited by examiner

Primary Examiner — Mimoso De

(74) *Attorney, Agent, or Firm* — Intellectual Property Law Offices of Joel Voelzke, APC

(57) **CLAIM**

The ornamental design of a bar stool base, as shown and described.

DESCRIPTION

This application is related U.S. patent application Ser. Nos. 29/434,767 and 29/434,688 which are filed concurrently herewith.

FIG. 1 is an oblique view of a bar stool base showing my new design;

FIG. 2 is a front elevation view thereof;

FIG. 3 is back elevation view thereof;

FIG. 4 is a side elevation view thereof;

FIG. 5 is a side elevation view thereof, showing the side that is opposite the side shown in FIG. 4; and,

FIG. 6 is a top plan view thereof.

The broken line showing of bar stool parts is included for the purpose of illustrating environmental structure and forms no part of the claimed design.

1 Claim, 6 Drawing Sheets

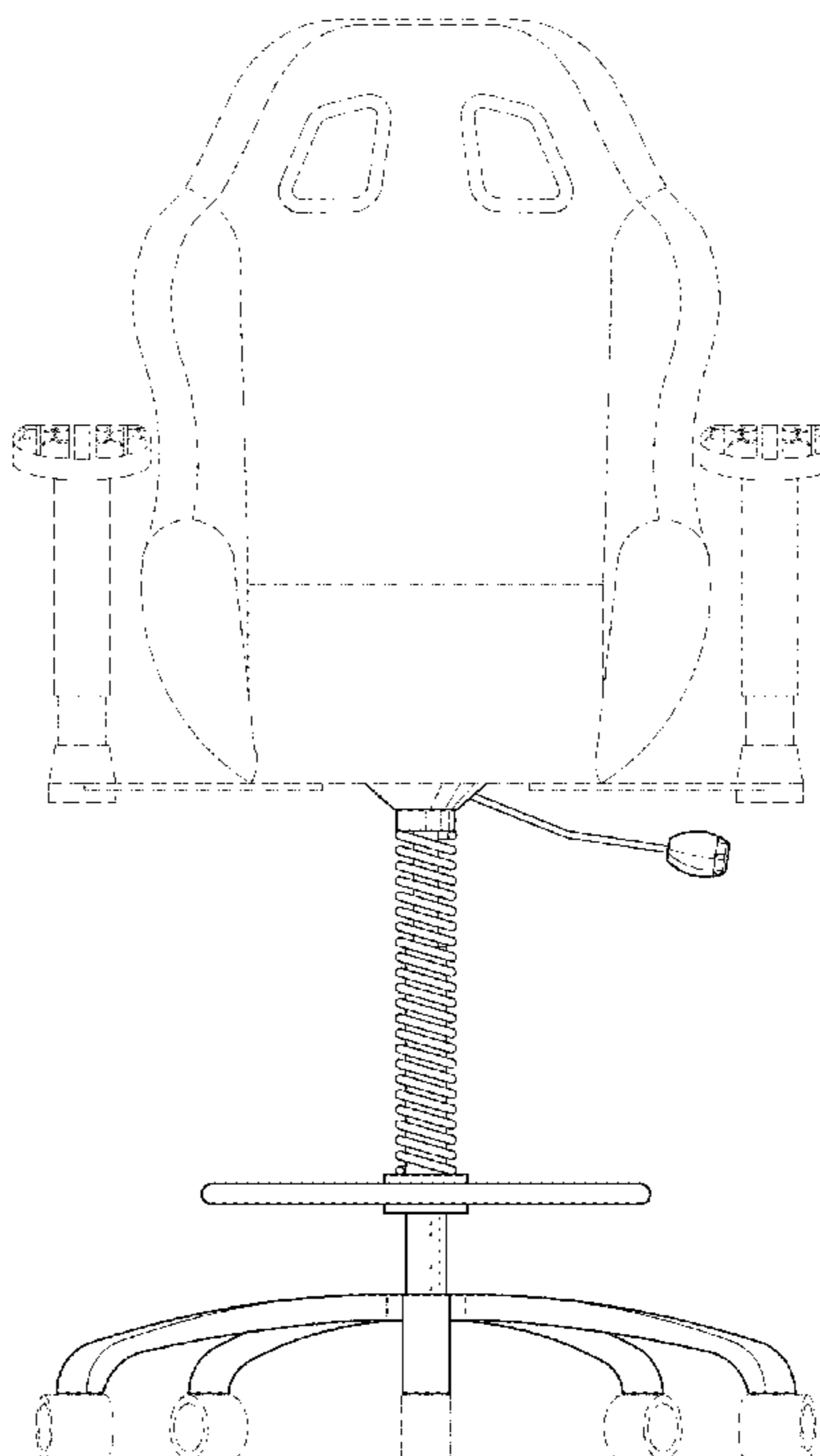
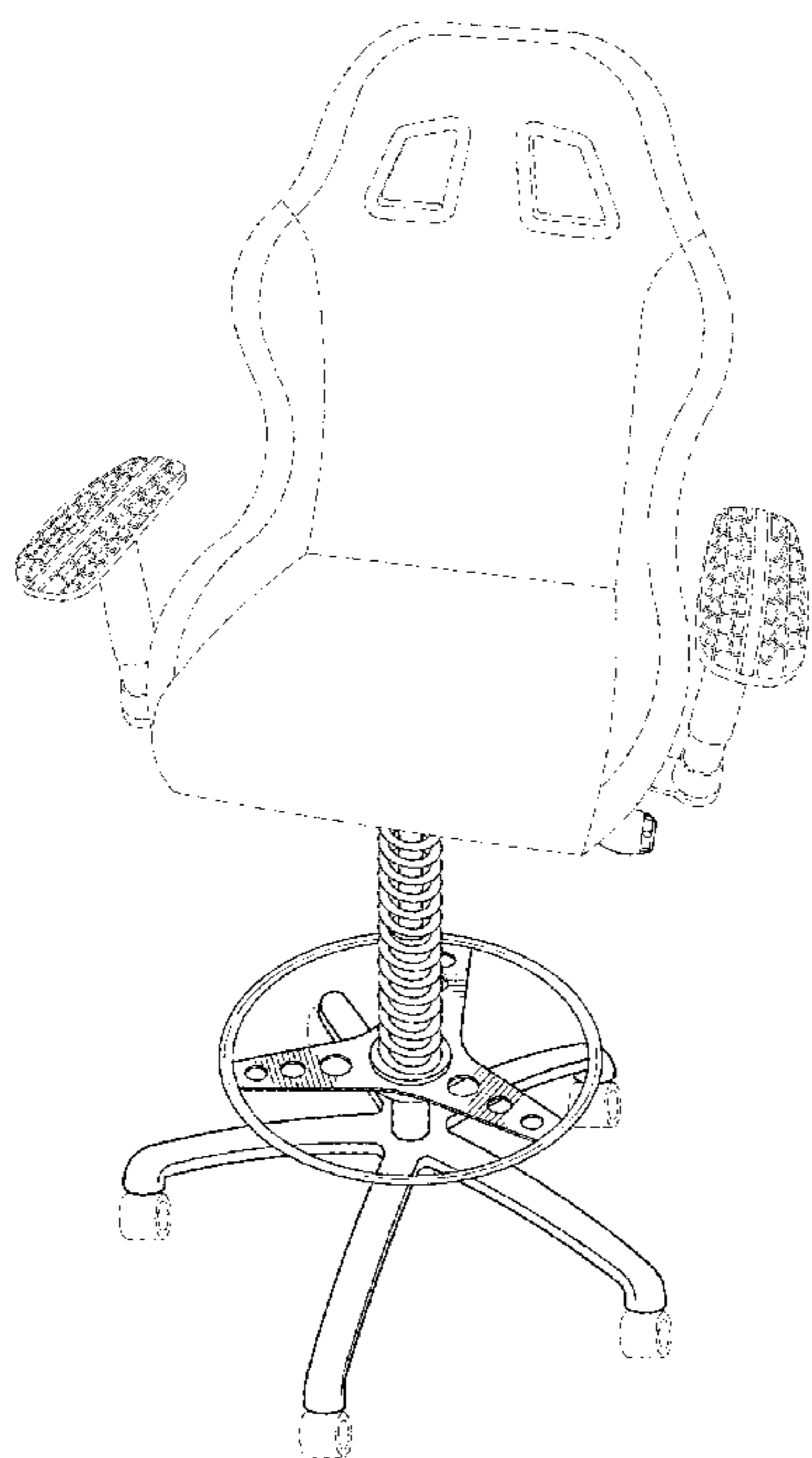


FIG. 1

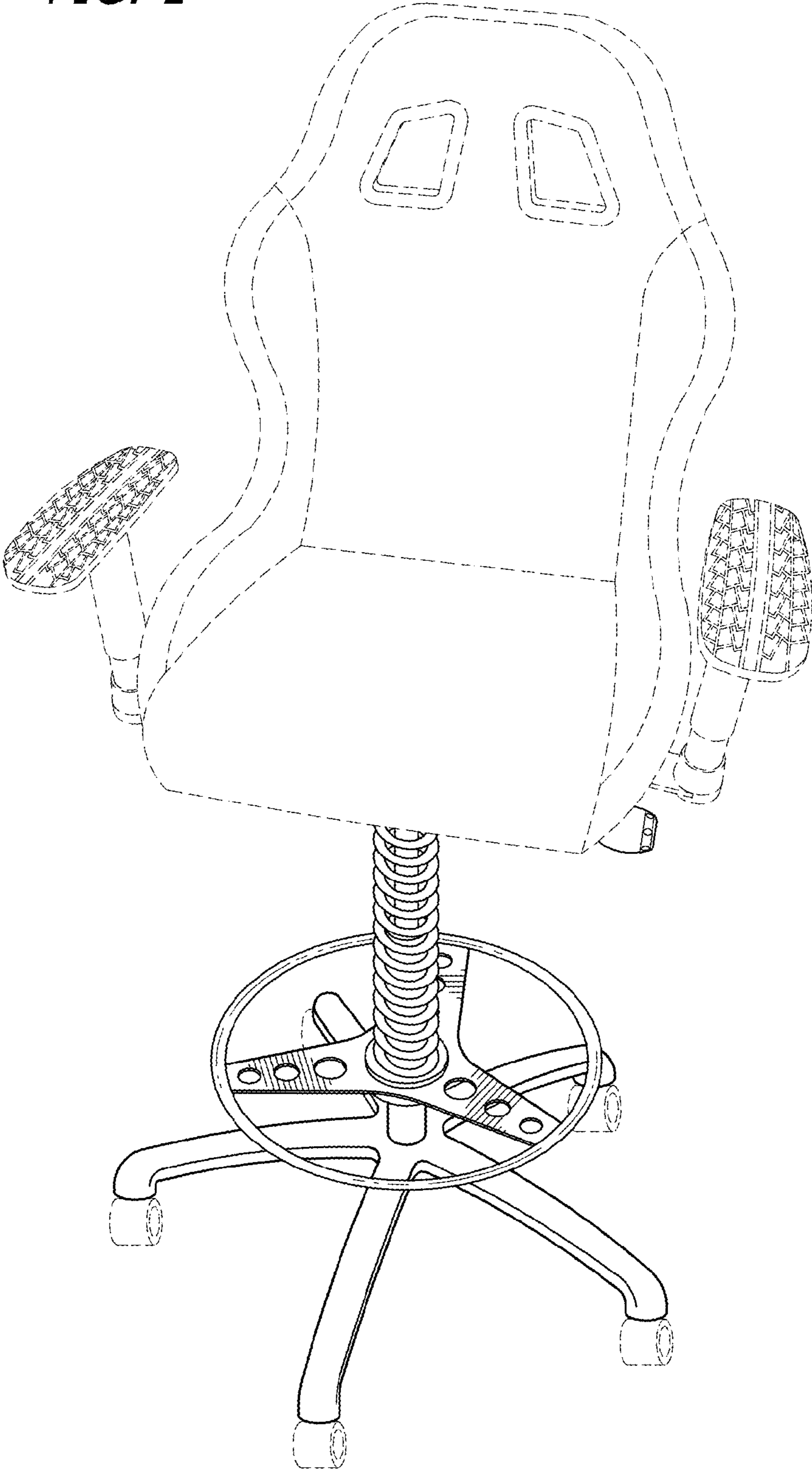


FIG. 2

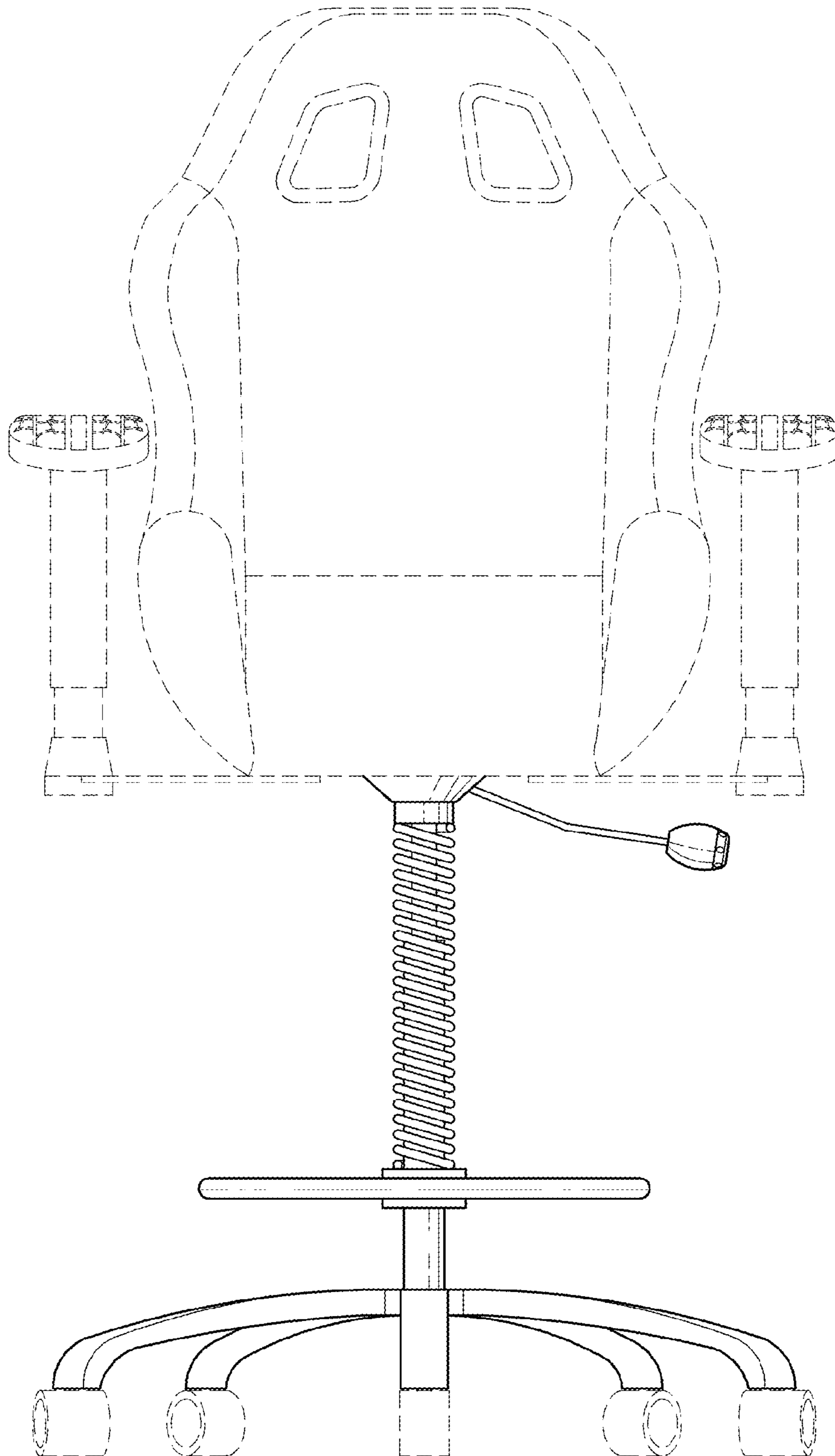


FIG. 3

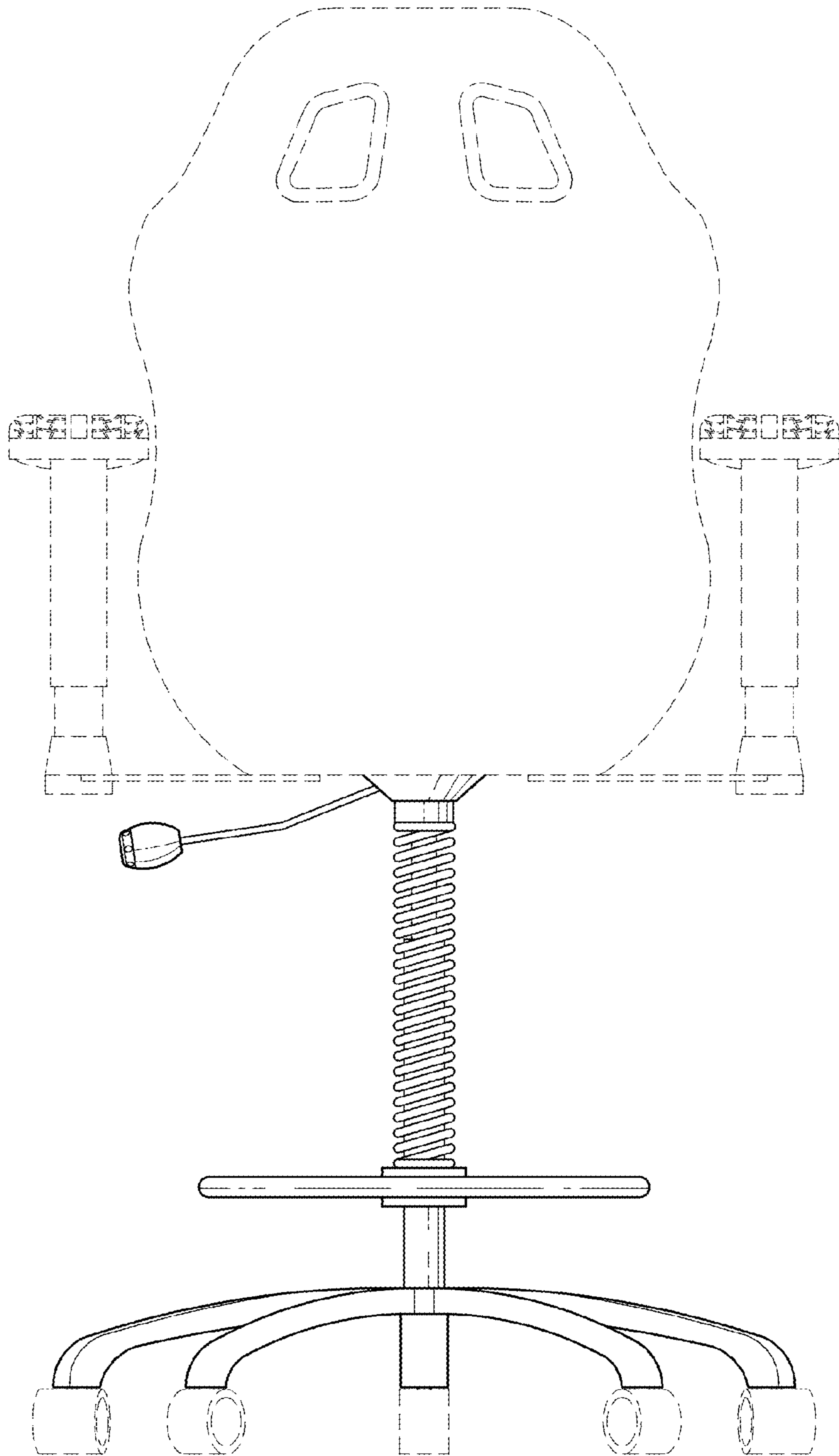


FIG. 4

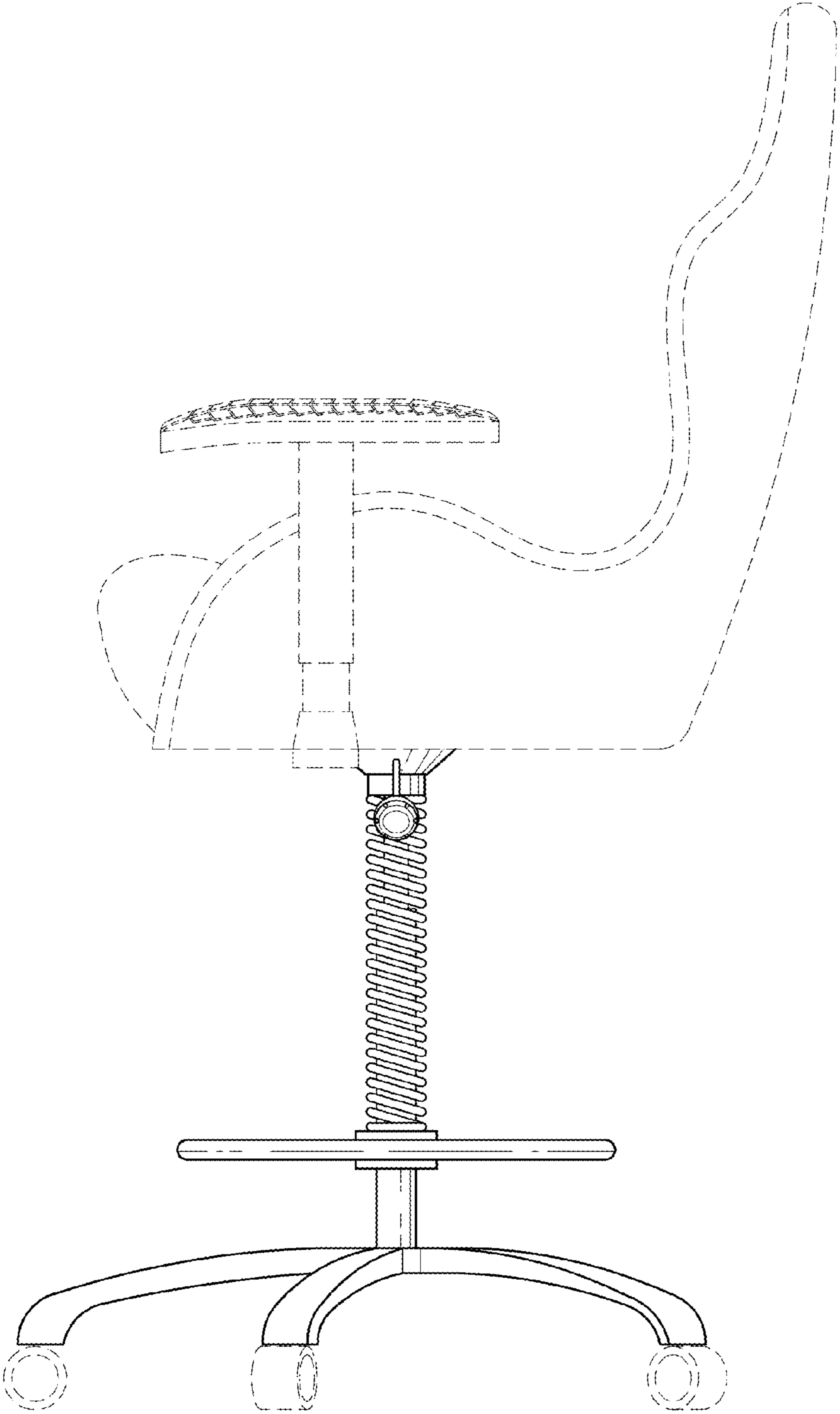


FIG. 5

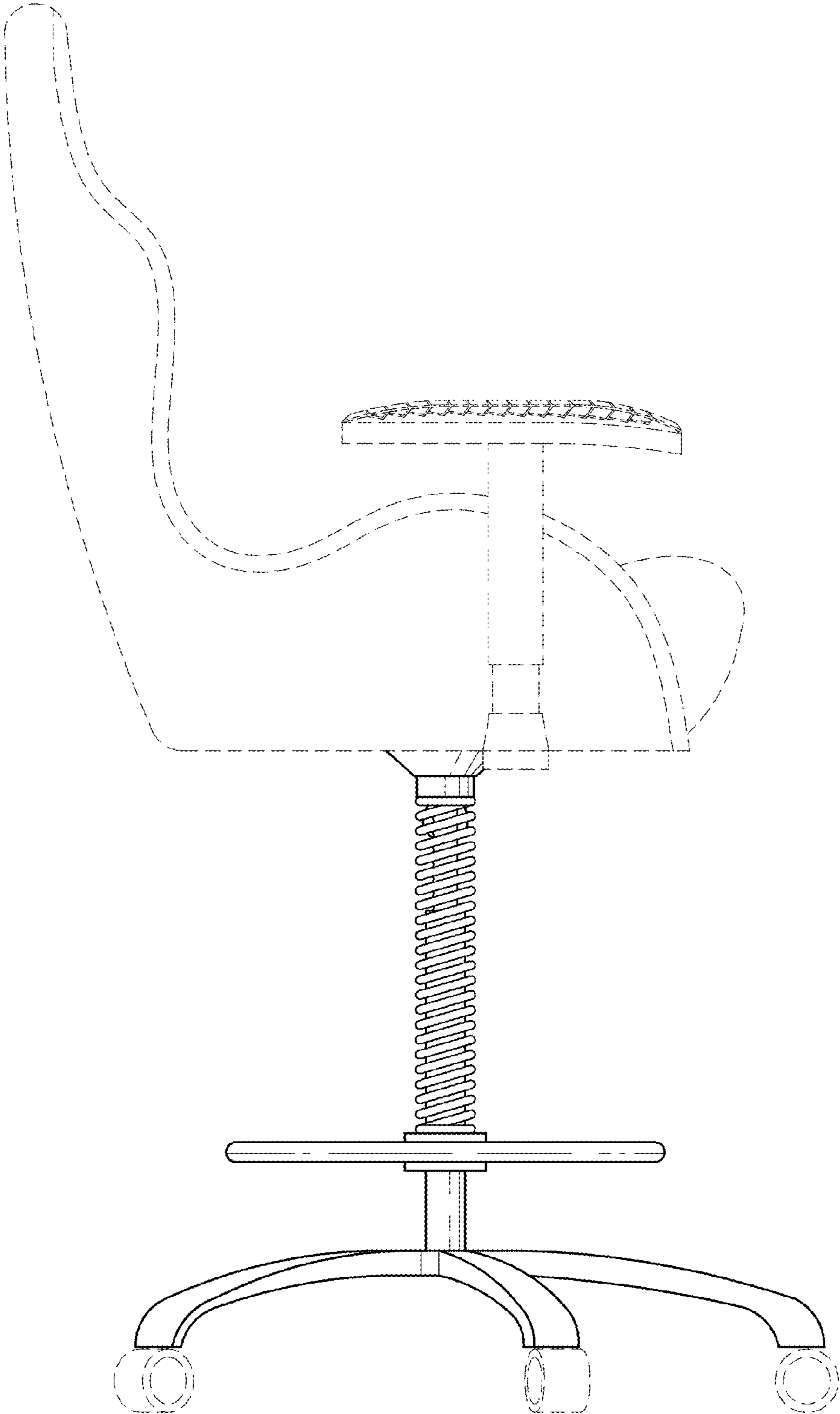


FIG. 6

