

US00D694559S

(12) **United States Design Patent**
Carlyle et al.

(10) **Patent No.:** **US D694,559 S**
(45) **Date of Patent:** **** Dec. 3, 2013**

(54) **DISPLAY DEVICE**
(75) Inventors: **Scott A. Carlyle**, Costa Mesa, CA (US); **Sharon J. Park**, Irvine, CA (US); **John J. Rae**, Westminster, CA (US); **Brian D. Schielke**, Los Angeles, CA (US); **Kevin R. Tassistro**, Redondo Beach, CA (US)

6,032,917 A 3/2000 Shannon
6,082,694 A 7/2000 Joyce
6,378,818 B1 4/2002 Padiak et al.
6,810,890 B2 11/2004 Lin et al.
7,069,938 B2 7/2006 Yen et al.
7,185,665 B2 3/2007 You
D564,288 S * 3/2008 Collins D7/393
7,431,254 B2 10/2008 Cheng
7,537,016 B1 5/2009 You
D663,159 S * 7/2012 Zemel D7/395

(73) Assignee: **SRI Sports Limited**, Kobe-shi (JP)

* cited by examiner

(**) Term: **14 Years**

(21) Appl. No.: **29/366,202**

Primary Examiner — Philip S Hyder

Assistant Examiner — Sydney R Buffalow

(22) Filed: **Jul. 21, 2010**

(74) *Attorney, Agent, or Firm* — Oliff & Berridge, PLC

(51) **LOC (9) Cl.** **06-04**

(57) **CLAIM**

(52) **U.S. Cl.**
USPC **D6/702**

The ornamental design for a display device, as shown and described.

(58) **Field of Classification Search**
USPC D6/702, 449, 708, 708.16, 709, 709.2, D6/710, 717; D7/395, 649, 393; 211/47, 211/94.03, 200, 13.1, 85.3, 205; D20/19, D20/41; 248/167, 188.06, 188.1
See application file for complete search history.

DESCRIPTION

FIG. 1 is a front elevational view of a display device embodying the inventive design.
FIG. 2 is a rear elevational view thereof.
FIG. 3 is a left-side elevational view thereof.
FIG. 4 is a right-side elevational view thereof.
FIG. 5 is a perspective view thereof.
FIG. 6 is a top plan view thereof.
FIG. 7 is a bottom plan view thereof; and,
FIG. 8 is a perspective view of the display device shown in an alternative position.

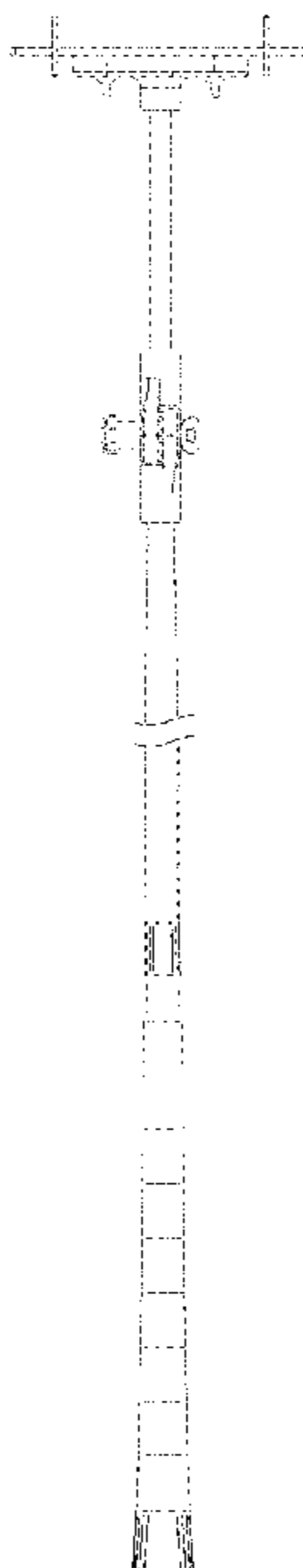
The dash-dot chain lines indicate the boundary of the claimed design. The dashed lines are directed to the environment of the claimed design and are for illustrative purposes only. The dash-dot chain lines and dashed lines form no part of the claimed design.

(56) **References Cited**

U.S. PATENT DOCUMENTS

376,593 A	1/1888	Greenawalt et al.	
926,426 A	6/1909	Koch et al.	
D146,518 S *	3/1947	Ramsthal D7/395
3,602,466 A	8/1971	Drowns	
D263,352 S *	3/1982	Siegel D6/496
D299,807 S *	2/1989	Sawa D7/649
D324,462 S *	3/1992	Karnaze D6/419
5,297,570 A	3/1994	Conner	
D358,506 S *	5/1995	Lara D6/411
5,727,583 A	3/1998	Kennedy	
5,820,287 A	10/1998	Bartlett et al.	

1 Claim, 8 Drawing Sheets



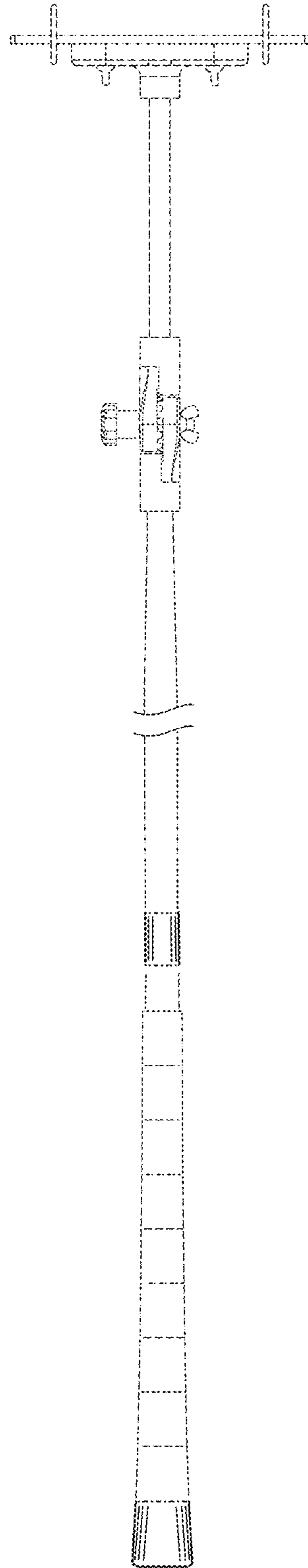


FIG. 1

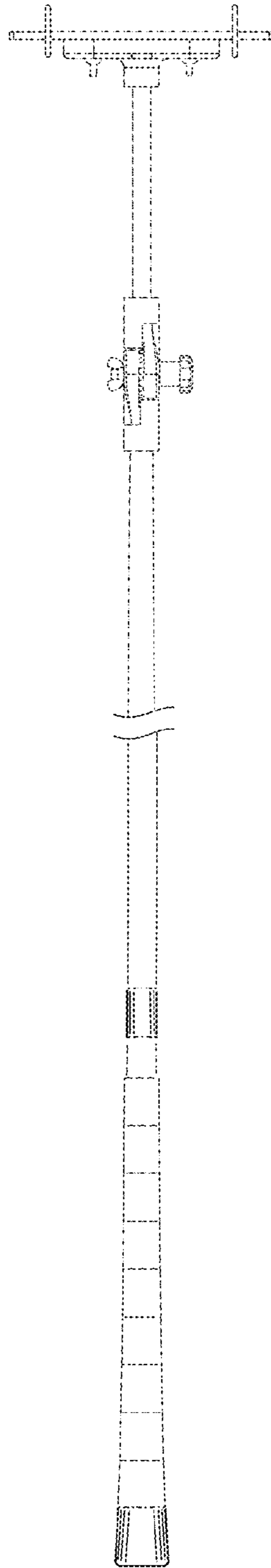


FIG. 2

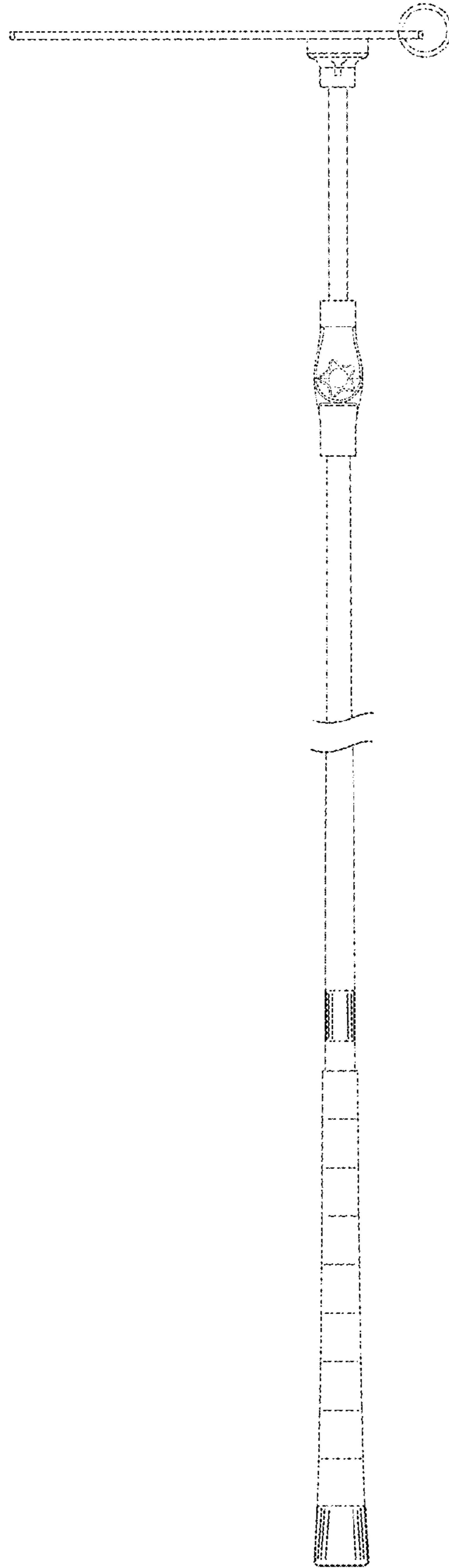


FIG. 3

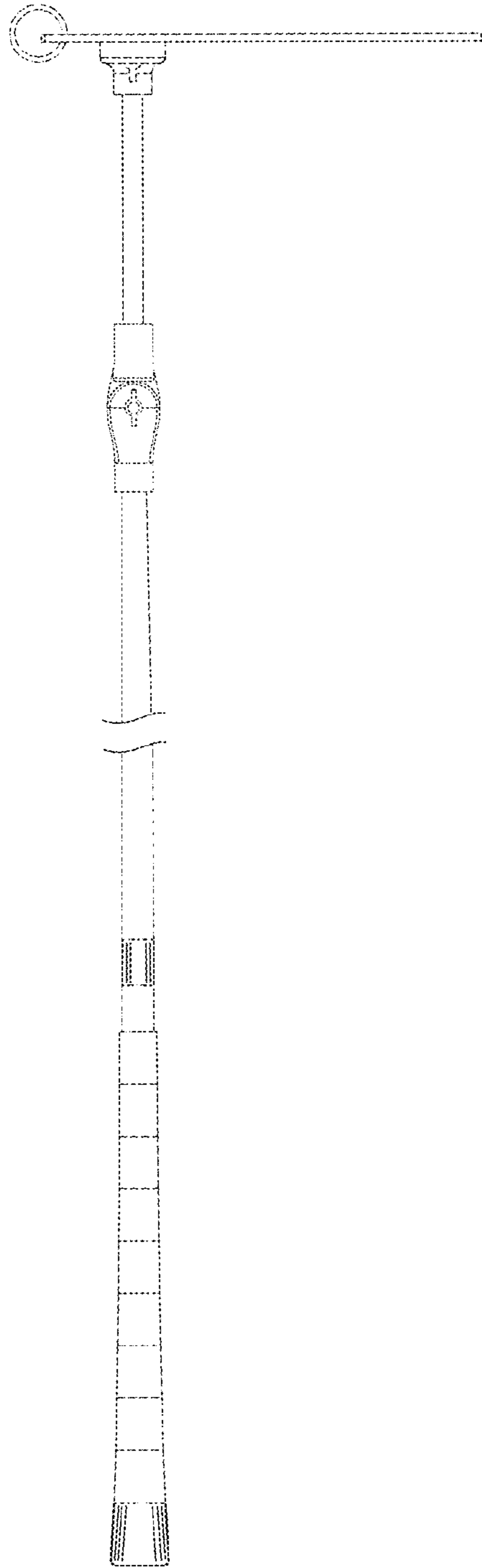


FIG. 4

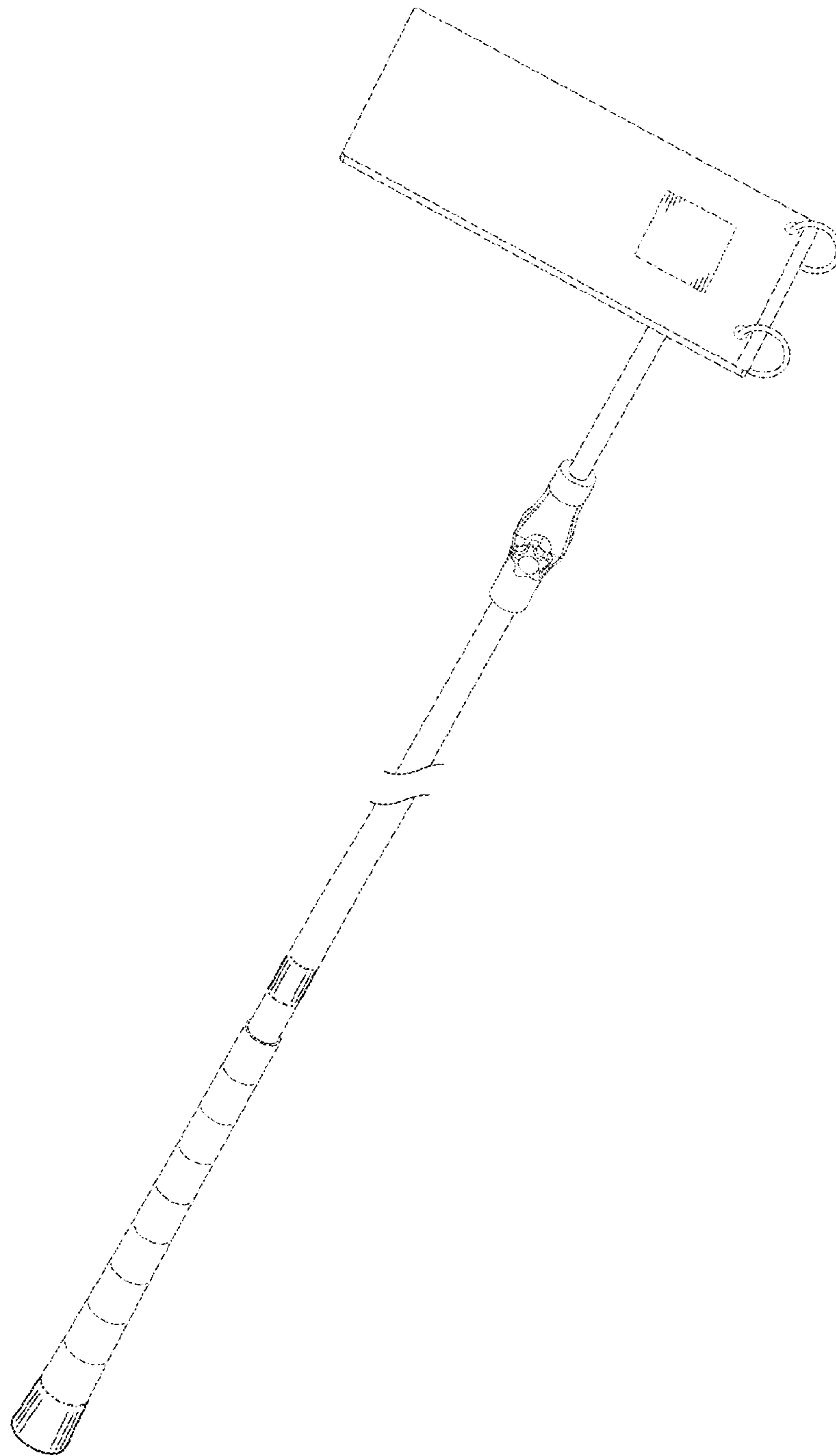


FIG. 5

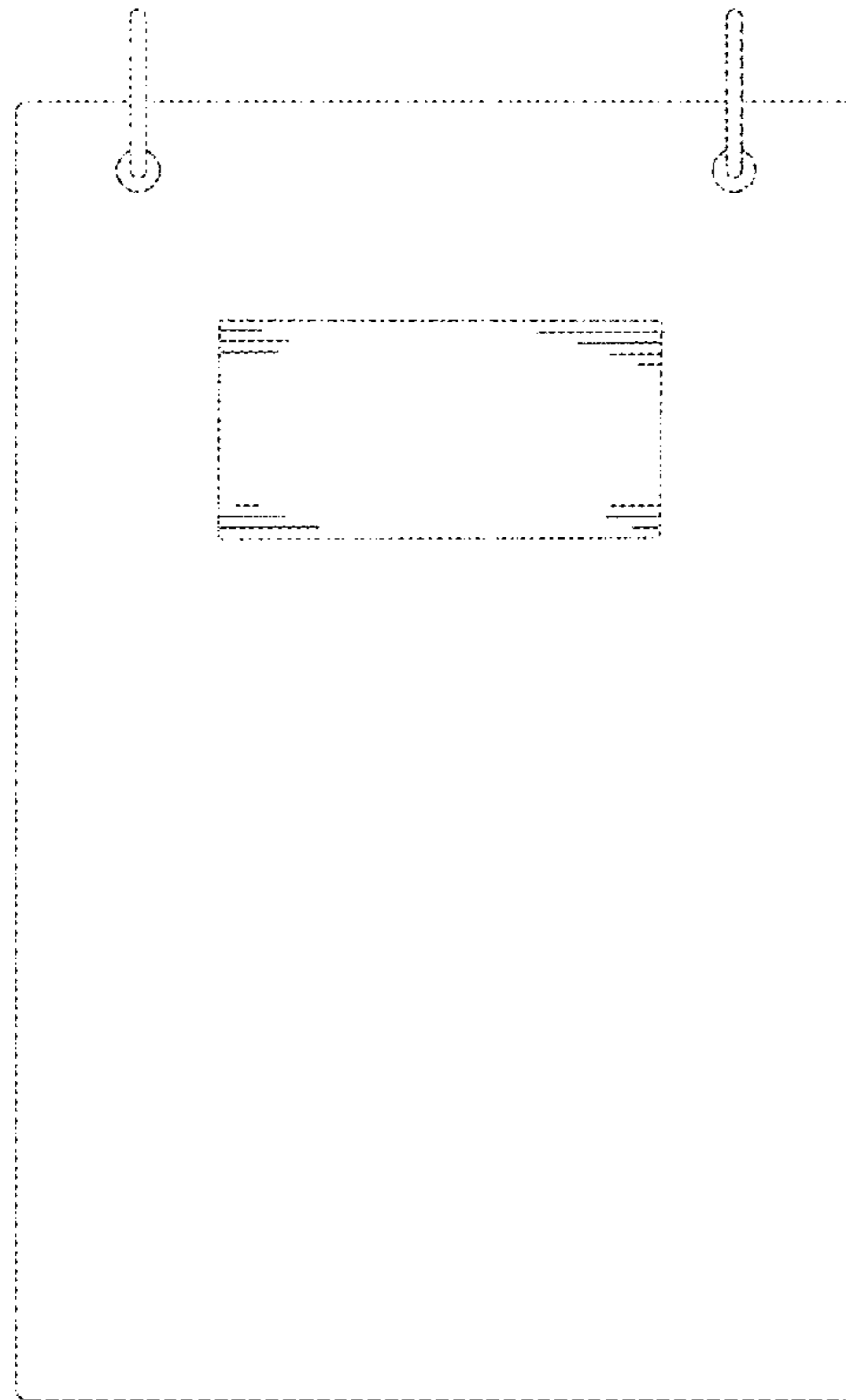


FIG. 6

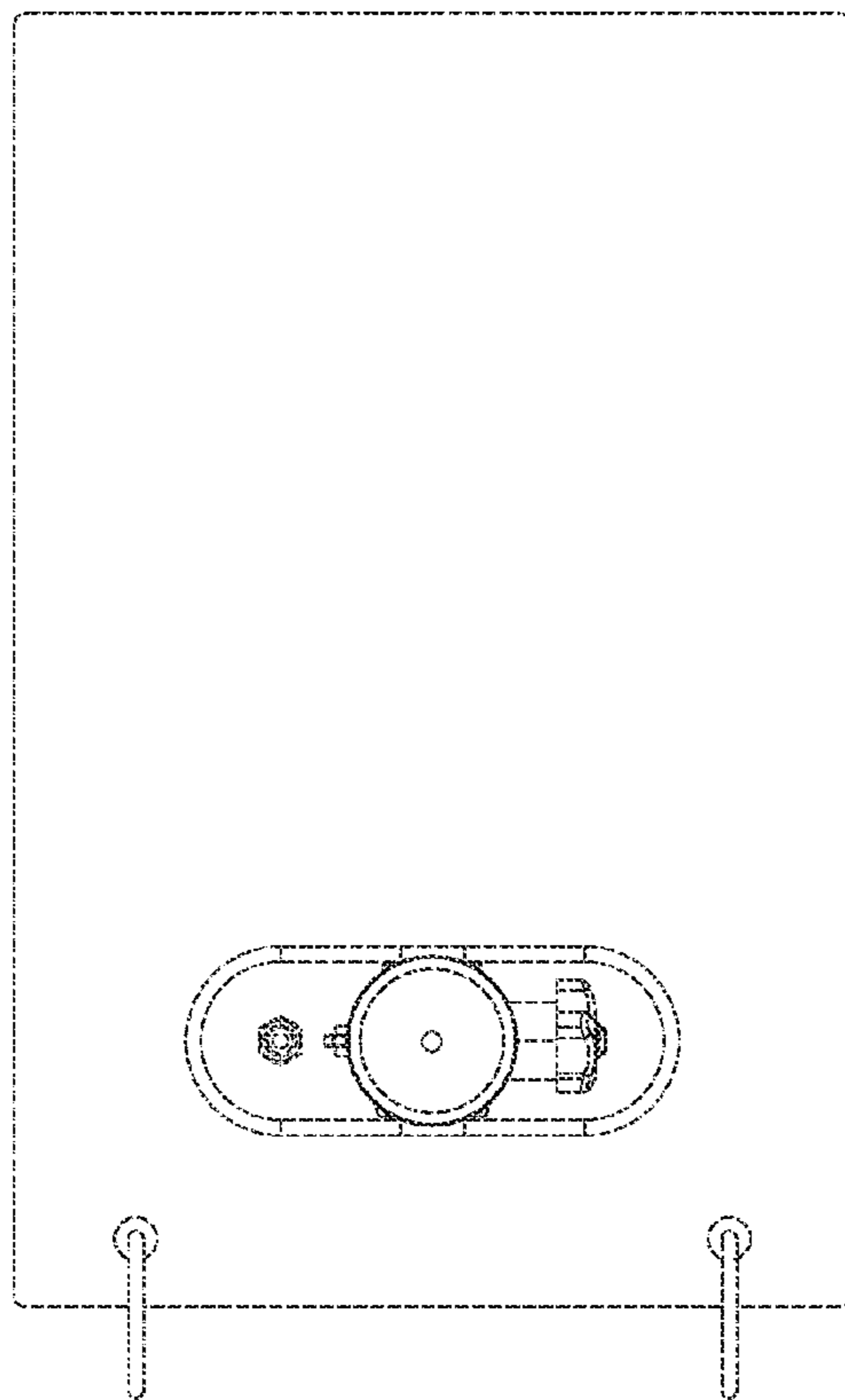


FIG. 7

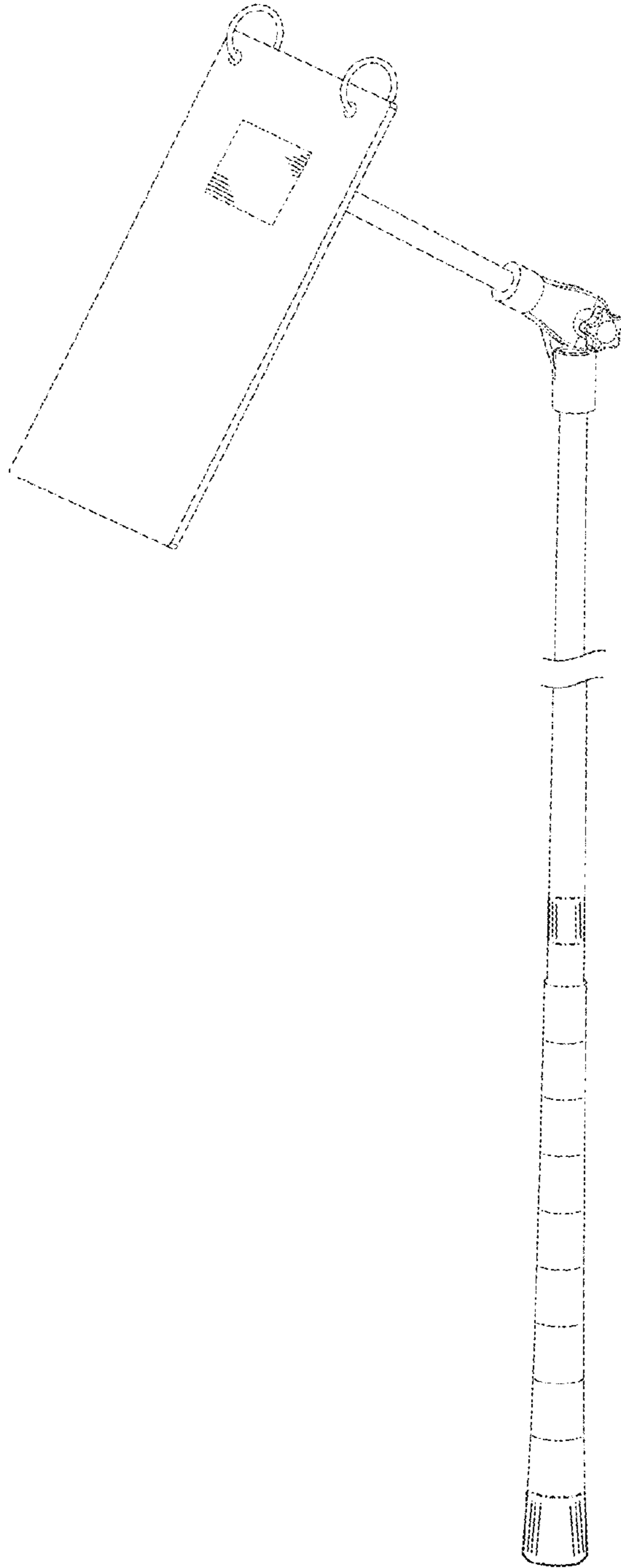


FIG. 8