



US00D694557S

(12) **United States Design Patent**
Rodgers

(10) **Patent No.:** **US D694,557 S**

(45) **Date of Patent:** **** Dec. 3, 2013**

- (54) **DESK SHELF**
- (71) Applicant: **Deflecto, LLC**, Indianapolis, IN (US)
- (72) Inventor: **Danielle Rodgers**, Indianapolis, IN (US)
- (73) Assignee: **Deflecto, LLC**, Indianapolis, IN (US)
- (**) Term: **14 Years**
- (21) Appl. No.: **29/436,151**

D589,721 S *	4/2009	Chang	D6/425
D591,090 S *	4/2009	Judkins	D6/484
D593,341 S *	6/2009	Sackman	D6/467
D651,651 S *	1/2012	Beukema et al.	D19/75
D662,731 S *	7/2012	Martin et al.	D6/484
D663,545 S *	7/2012	Hundley	D6/396

* cited by examiner

Primary Examiner — Kelley Donnelly

(74) *Attorney, Agent, or Firm* — Dentons US LLP; Brian R. McGinley; Anne K. W. Sutton

- (22) Filed: **Nov. 1, 2012**
- (51) **LOC (9) Cl.** **06-06**
- (52) **U.S. Cl.**
USPC **D6/675**
- (58) **Field of Classification Search**
USPC D6/422–423, 429, 449, 466, 480, 485,
D6/509, 511; 248/441.1, 188, 188.1,
248/188.7, 188.8; 108/155–156, 161, 150;
D7/558
See application file for complete search history.

(57) **CLAIM**

The ornamental design for a desk shelf, as shown and described.

DESCRIPTION

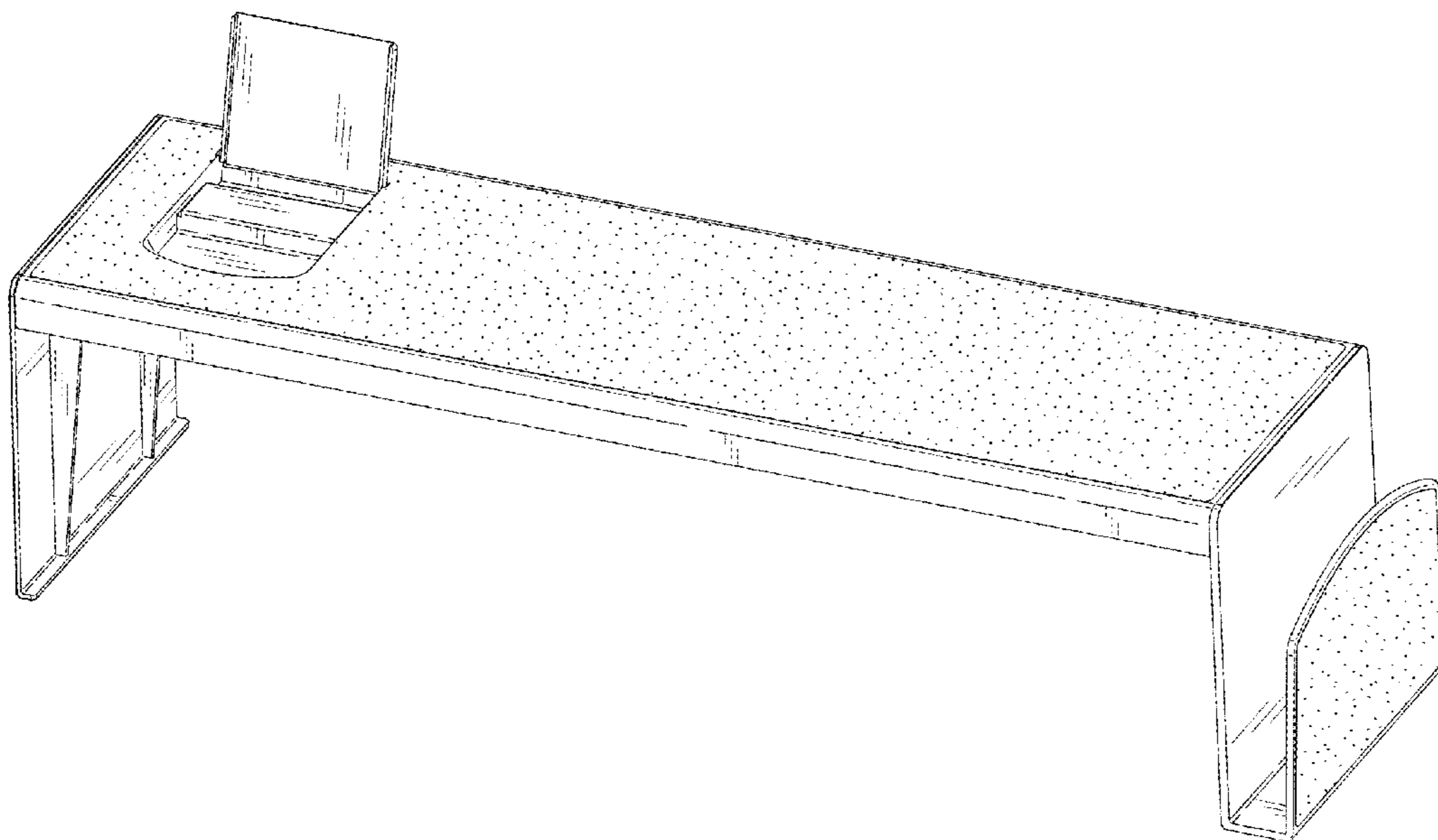
FIG. 1 is a top-front perspective view of the desk shelf illustrating the new design;
 FIG. 2 is a rear-bottom perspective view of the desk shelf illustrated in FIG. 1;
 FIG. 3 is a front view of the desk shelf shown in FIG. 1;
 FIG. 4 is a bottom view of the desk shelf shown in FIG. 1;
 FIG. 5 is a top view of the desk shelf shown in FIG. 1;
 FIG. 6 is a top view of the desk shelf shown in FIG. 1;
 FIG. 7 is a top view of the desk shelf shown in FIG. 1, and;
 FIG. 8 is a top view of the desk shelf shown in FIG. 1.

1 Claim, 5 Drawing Sheets

(56) **References Cited**

U.S. PATENT DOCUMENTS

D274,729 S *	7/1984	Hovey et al.	D14/451
D293,493 S *	12/1987	Garr	D6/449
D303,190 S *	9/1989	Suttles	D6/491
D448,585 S *	10/2001	Petri	D6/427
D539,569 S *	4/2007	Lewis	D6/484
D544,255 S *	6/2007	Tracewell	D6/480
D589,283 S *	3/2009	Stangdell	D6/485



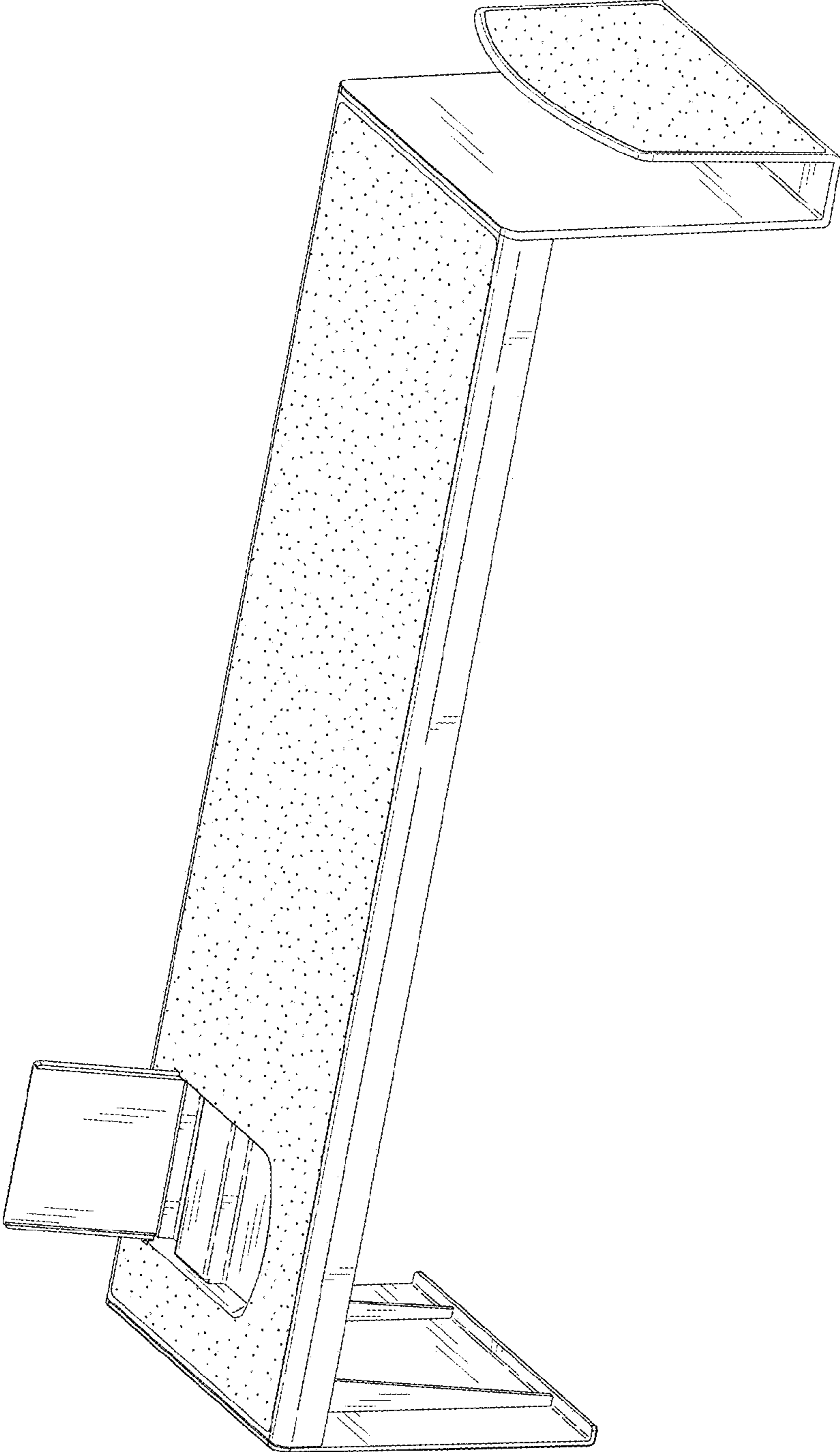


FIG. 1

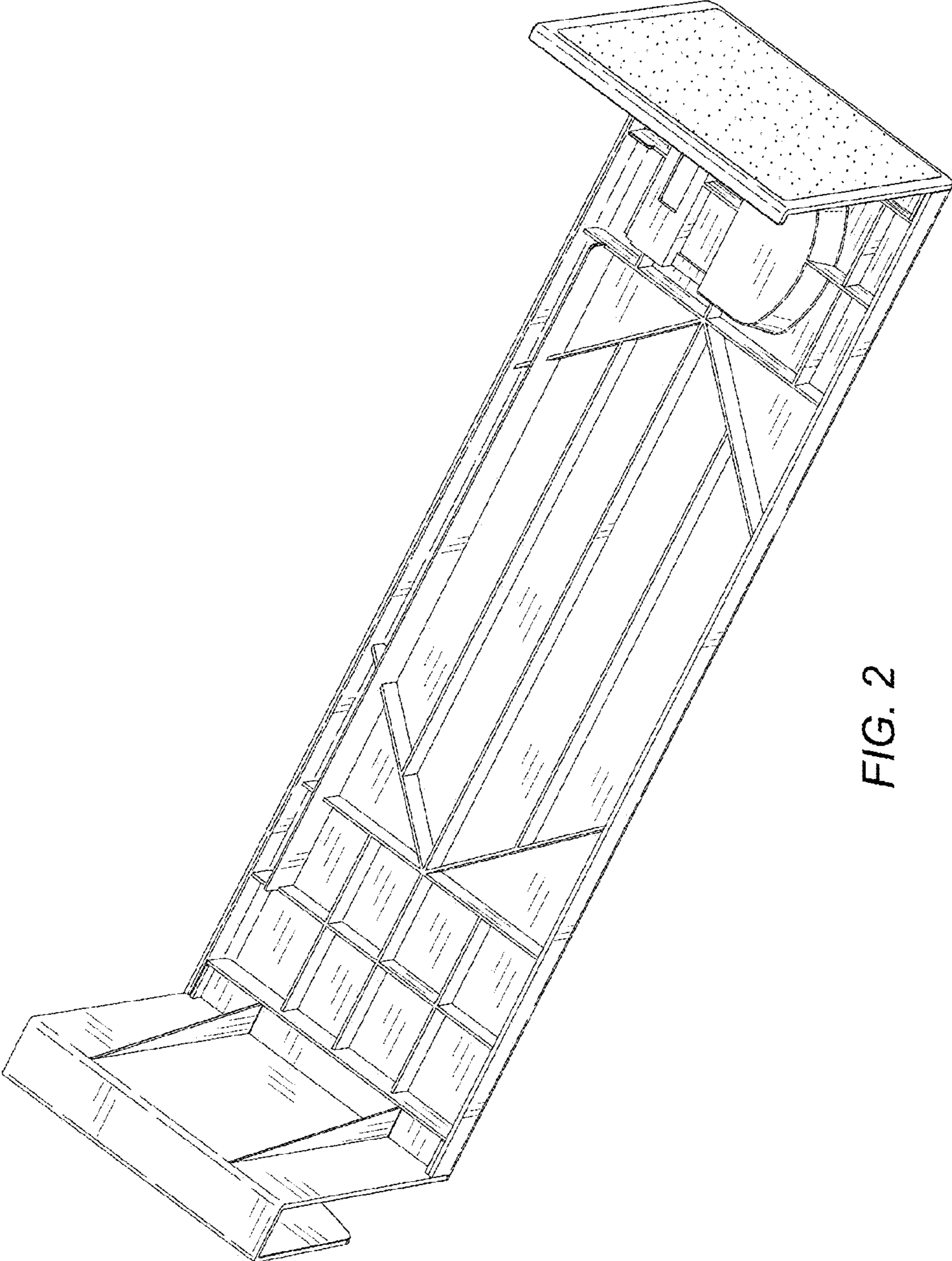
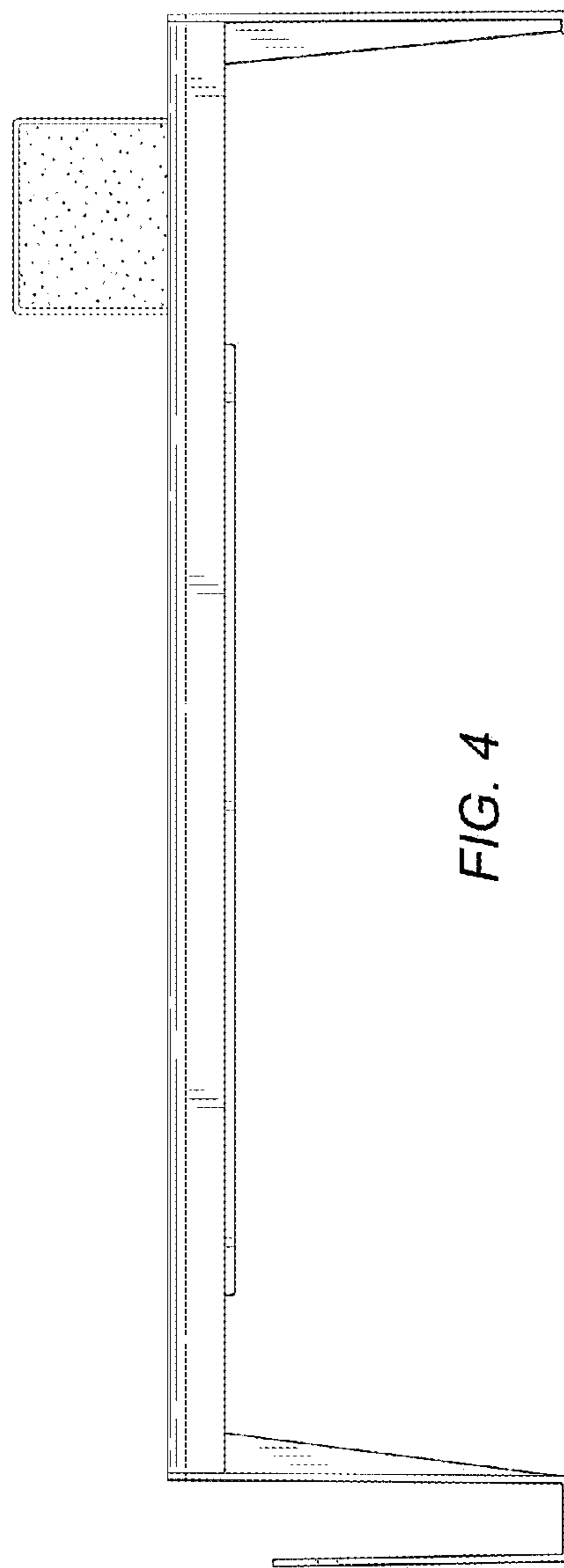
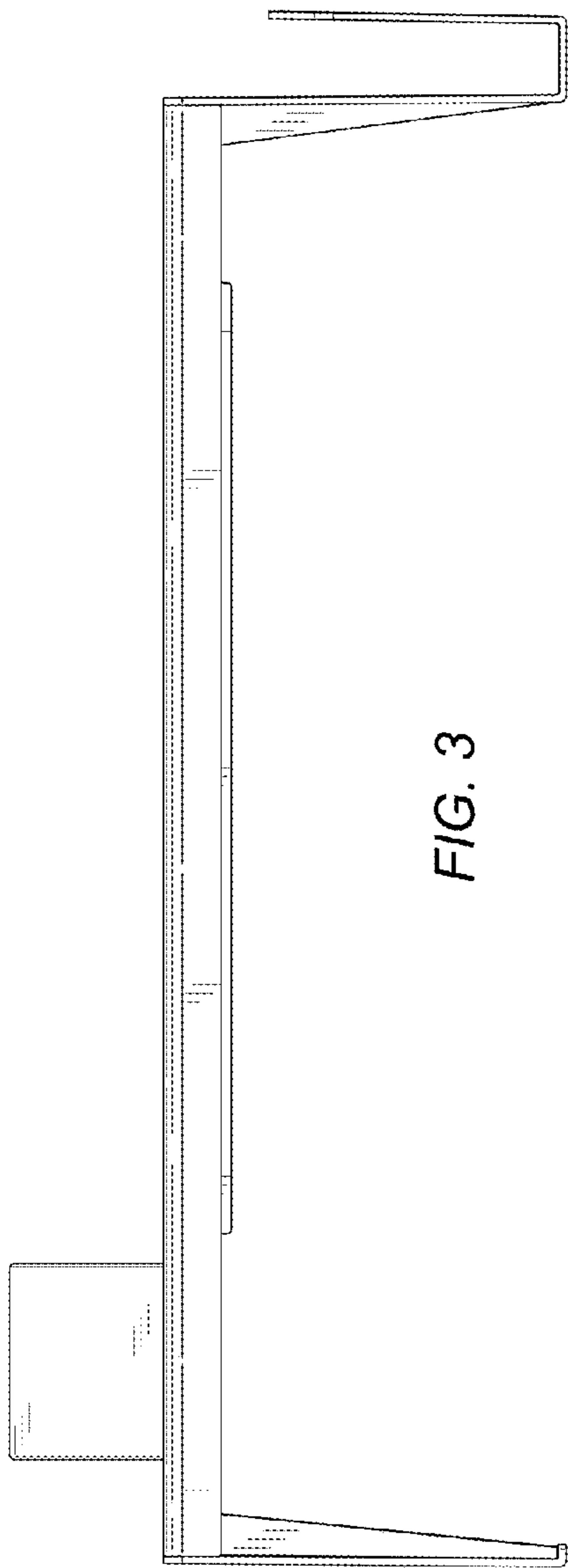


FIG. 2



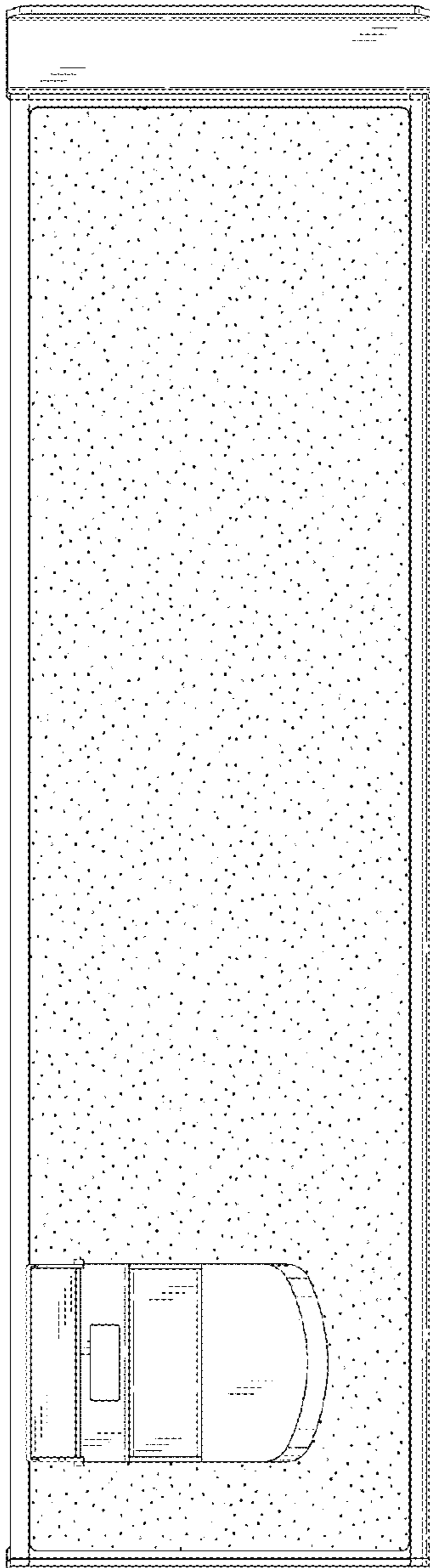


FIG. 5

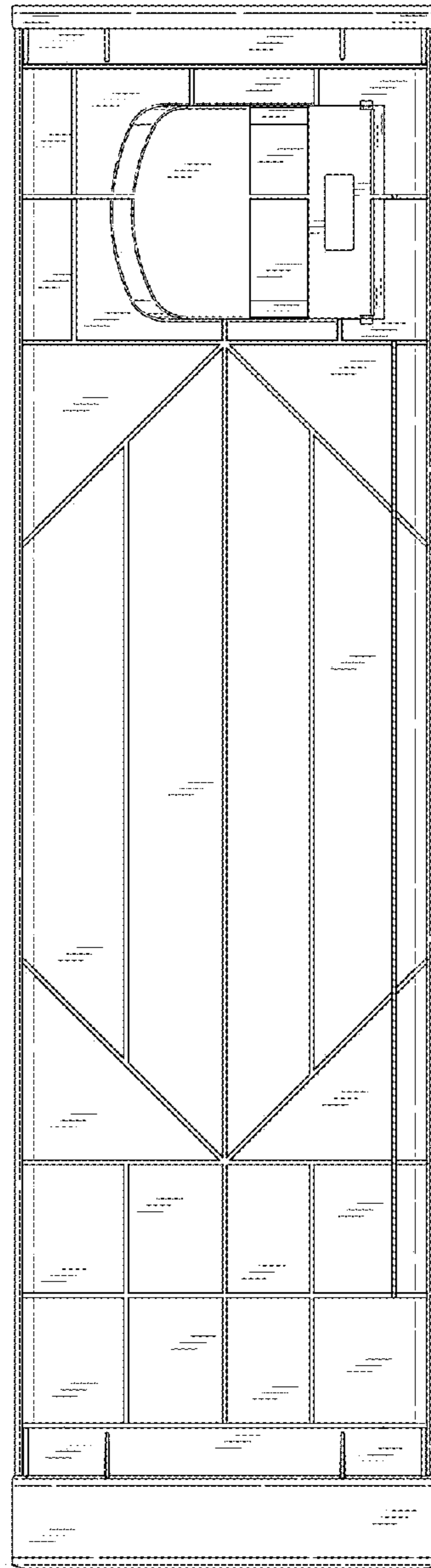


FIG. 6

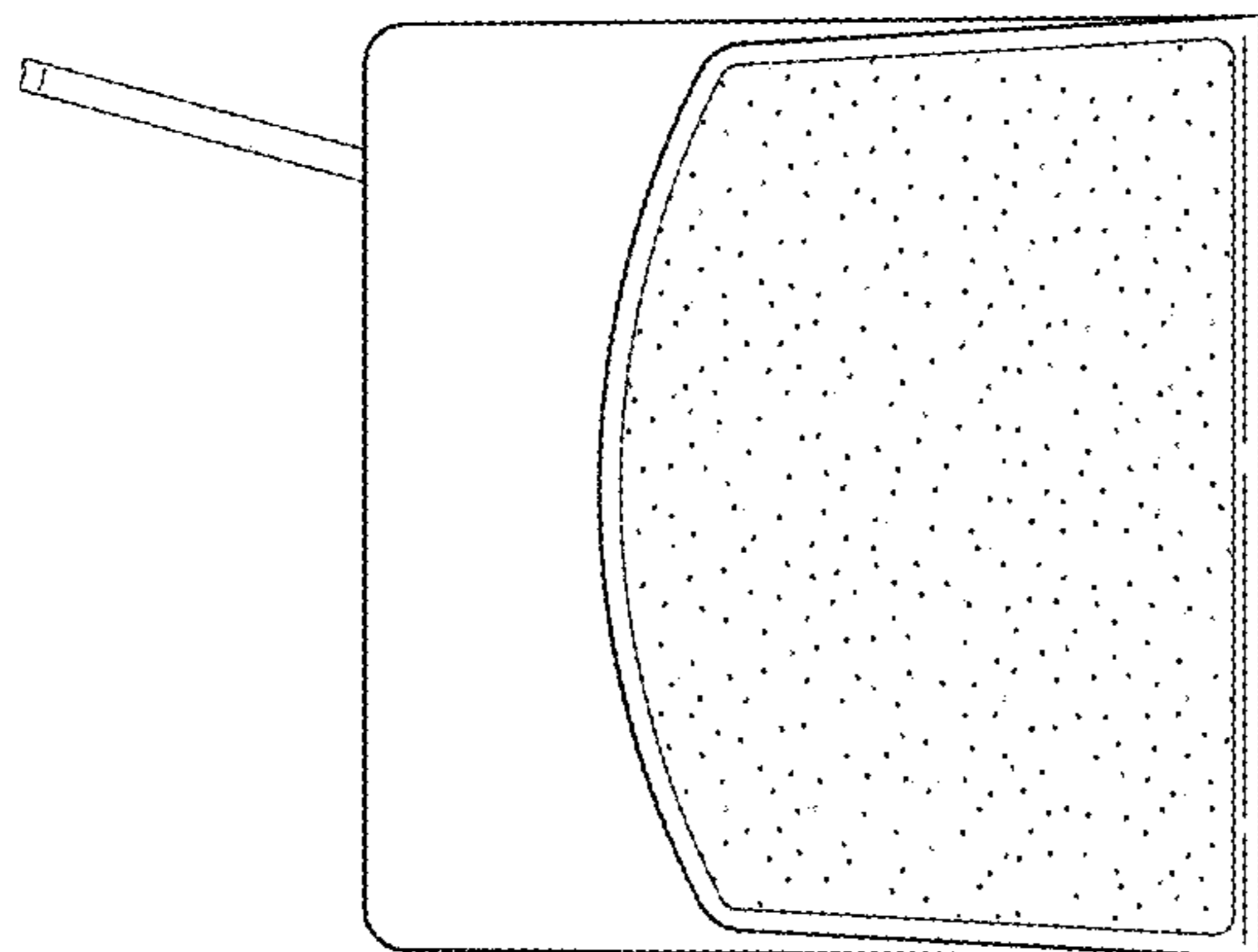


FIG. 8

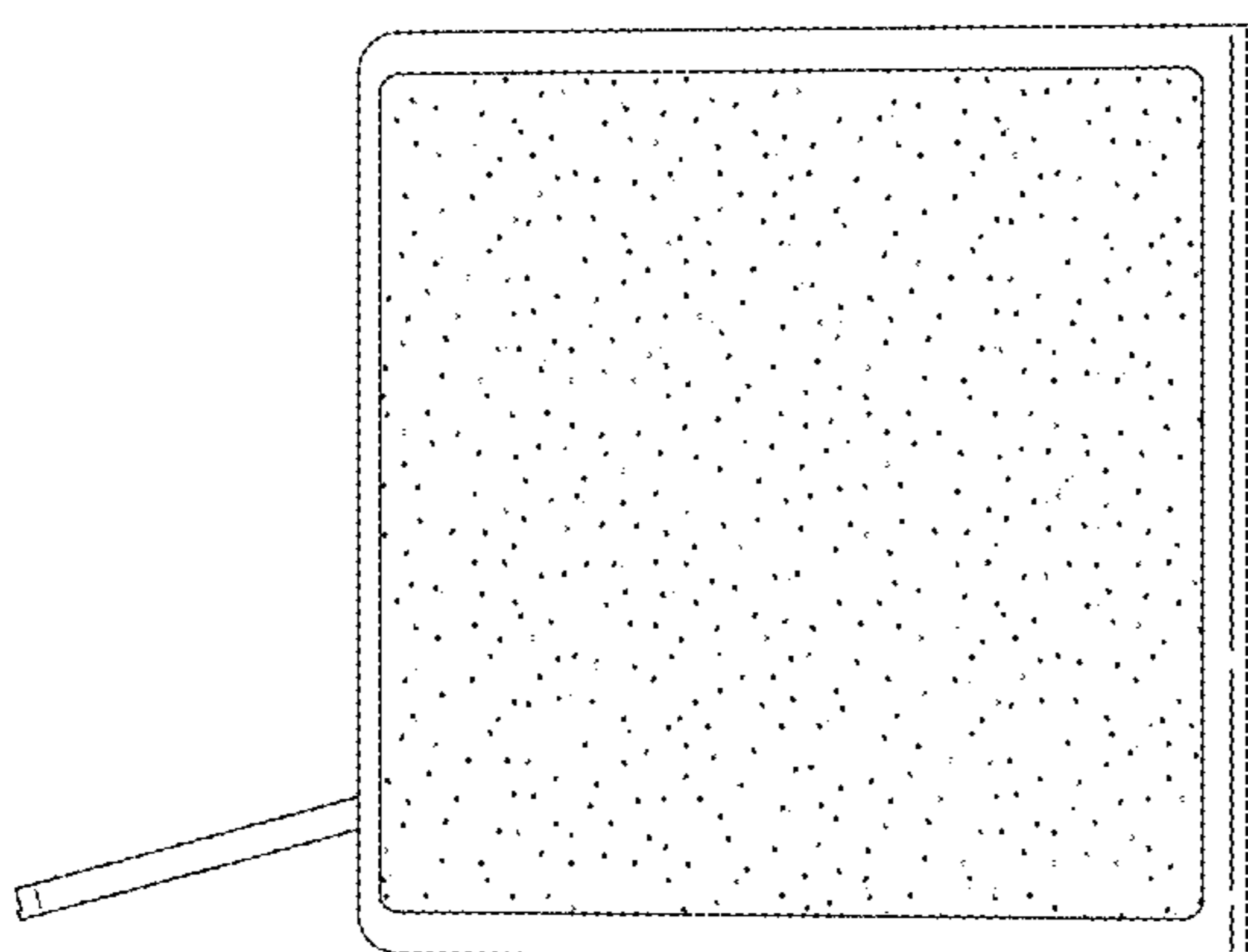


FIG. 7