



US00D694556S

(12) **United States Design Patent**
Samsonoff

(10) **Patent No.:** **US D694,556 S**

(45) **Date of Patent:** **** Dec. 3, 2013**

(54) **ORGANIZER FOR BEAUTY PRODUCTS**

(75) Inventor: **Aaron Samsonoff**, Saanichton (CA)

(73) Assignee: **eDiva Holdings Ltd.**, Victoria (CA)

(**) Term: **14 Years**

(21) Appl. No.: **29/422,889**

(22) Filed: **May 24, 2012**

(51) **LOC (9) Cl.** **06-04**

(52) **U.S. Cl.**
USPC **D6/659**

(58) **Field of Classification Search**

USPC D6/659, 660, 661, 663, 671, 671.1,
D6/671.2, 671.3, 671.4, 705, 705.5;
312/107, 109, 114, 117, 204, 311,
312/330.1, 332.1; D3/297

See application file for complete search history.

(56) **References Cited**

U.S. PATENT DOCUMENTS

D196,372 S *	9/1963	Mager	D6/671.1
D224,492 S *	8/1972	Inhelder	D6/671.1
D254,883 S *	5/1980	Jorda-Segui	D6/671
D328,824 S *	8/1992	Bellini et al.	D6/671
D353,955 S *	1/1995	Stewart	D6/671.1
D387,224 S *	12/1997	Dunlap, Jr.	D6/671.1
D466,724 S *	12/2002	Starck	D6/671.1
D476,505 S *	7/2003	Lenger	D6/671.1
D508,348 S *	8/2005	Moon et al.	D6/671.1
D514,846 S *	2/2006	McDiarmid	D6/671.1
D537,651 S *	3/2007	Seo et al.	D6/671.1
D546,582 S *	7/2007	Moloney	D6/671
D665,596 S *	8/2012	Shawcross et al.	D6/663

* cited by examiner

Primary Examiner — Mimoso De

(74) *Attorney, Agent, or Firm* — Oyen Wiggs Green & Mutala

(57) **CLAIM**

The ornamental design for an organizer for beauty products, as shown and described.

DESCRIPTION

FIG. 1 is a left side perspective view of the first embodiment of the organizer for beauty products;

FIG. 2 is a top plan view of the organizer for beauty products of FIG. 1;

FIG. 3 is a front elevational view of the organizer for beauty products of FIG. 1;

FIG. 4 is a bottom plan view of the organizer for beauty products of FIG. 1;

FIG. 5 is a back elevational view of the organizer for beauty products of FIG. 1;

FIG. 6 is a left side elevational view of the organizer for beauty products of FIG. 1, the right side elevational view being a mirror image thereof;

FIG. 7 is a left side perspective view of the second embodiment of the organizer for beauty products;

FIG. 8 is a top plan view of the organizer for beauty products of FIG. 7;

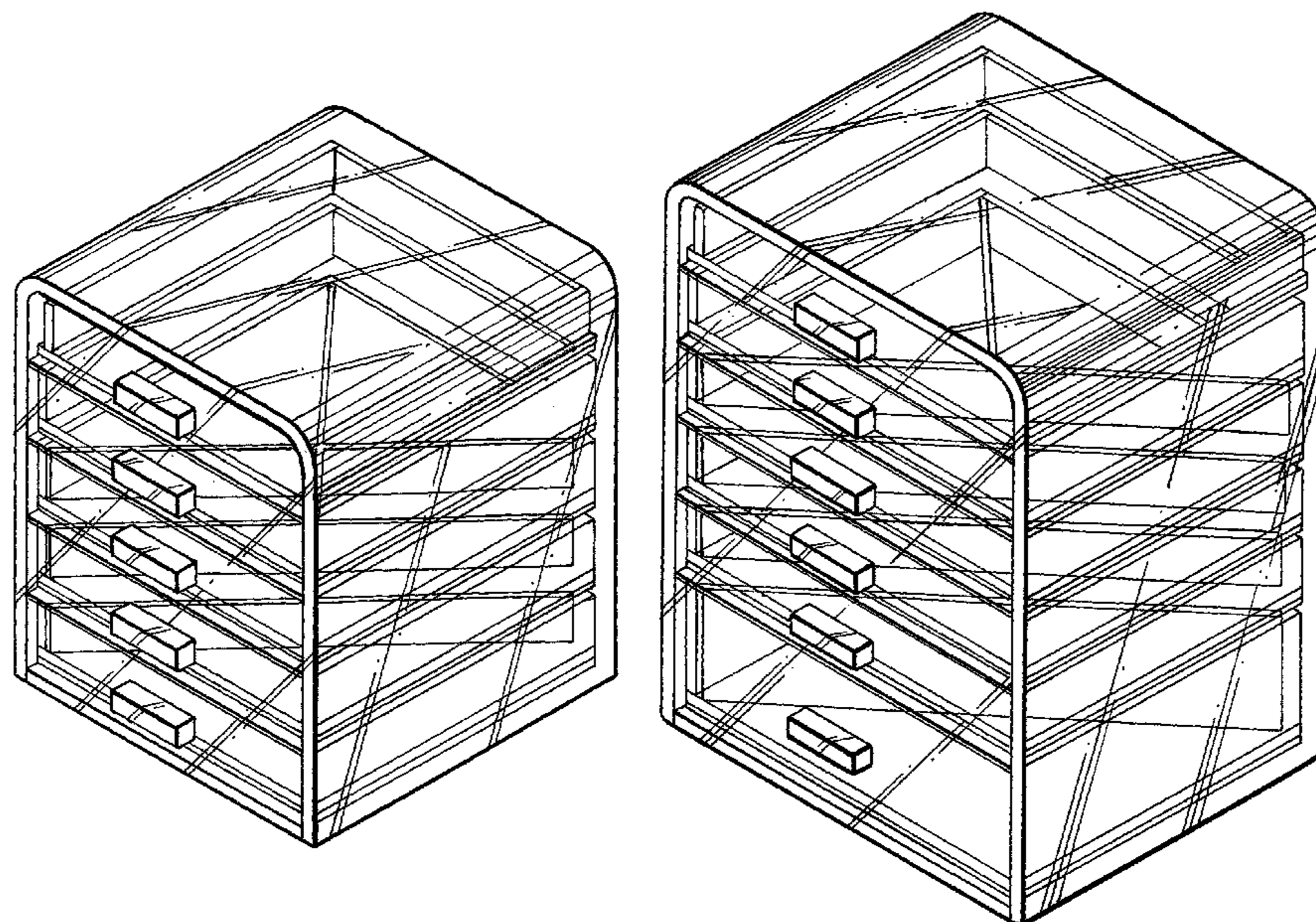
FIG. 9 is a front elevational view of the organizer for beauty products of FIG. 7;

FIG. 10 is a bottom plan view of the organizer for beauty products of FIG. 7;

FIG. 11 is a back elevational view of the organizer for beauty products of FIG. 11; and,

FIG. 12 is a left side elevational view of the organizer for beauty products of FIG. 7, the right side elevational view being a mirror image thereof.

1 Claim, 8 Drawing Sheets



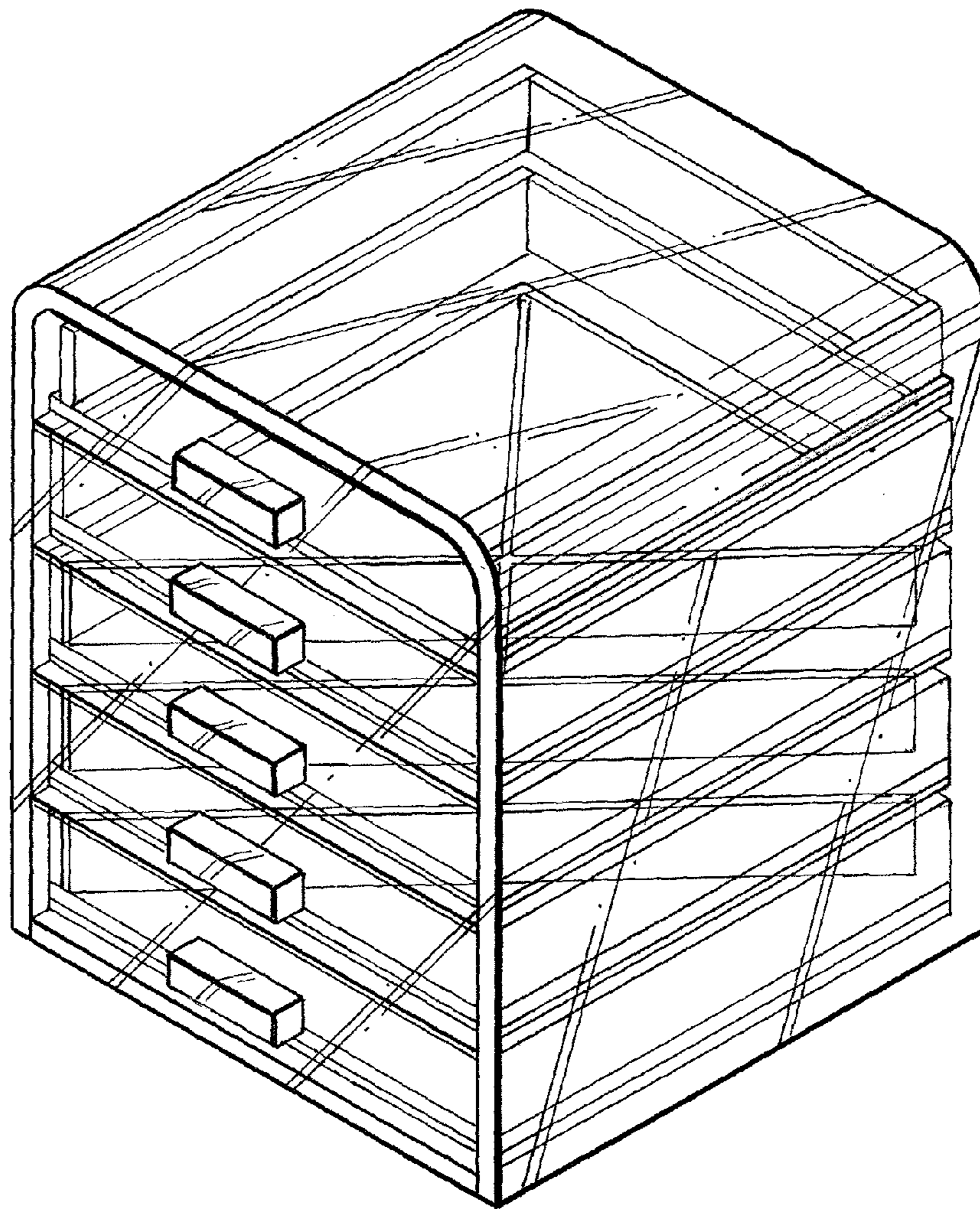


FIG. 1

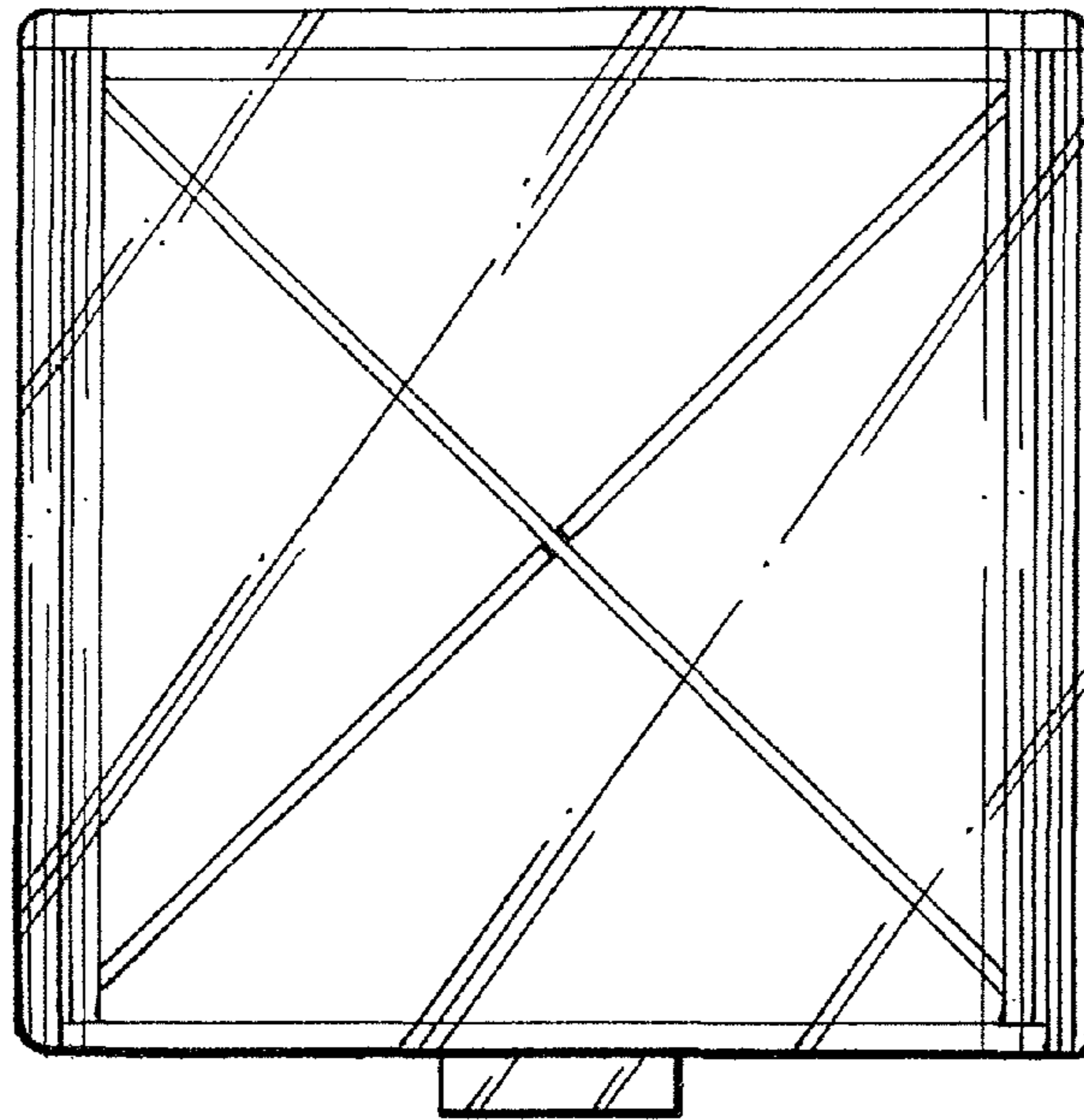


FIG. 2

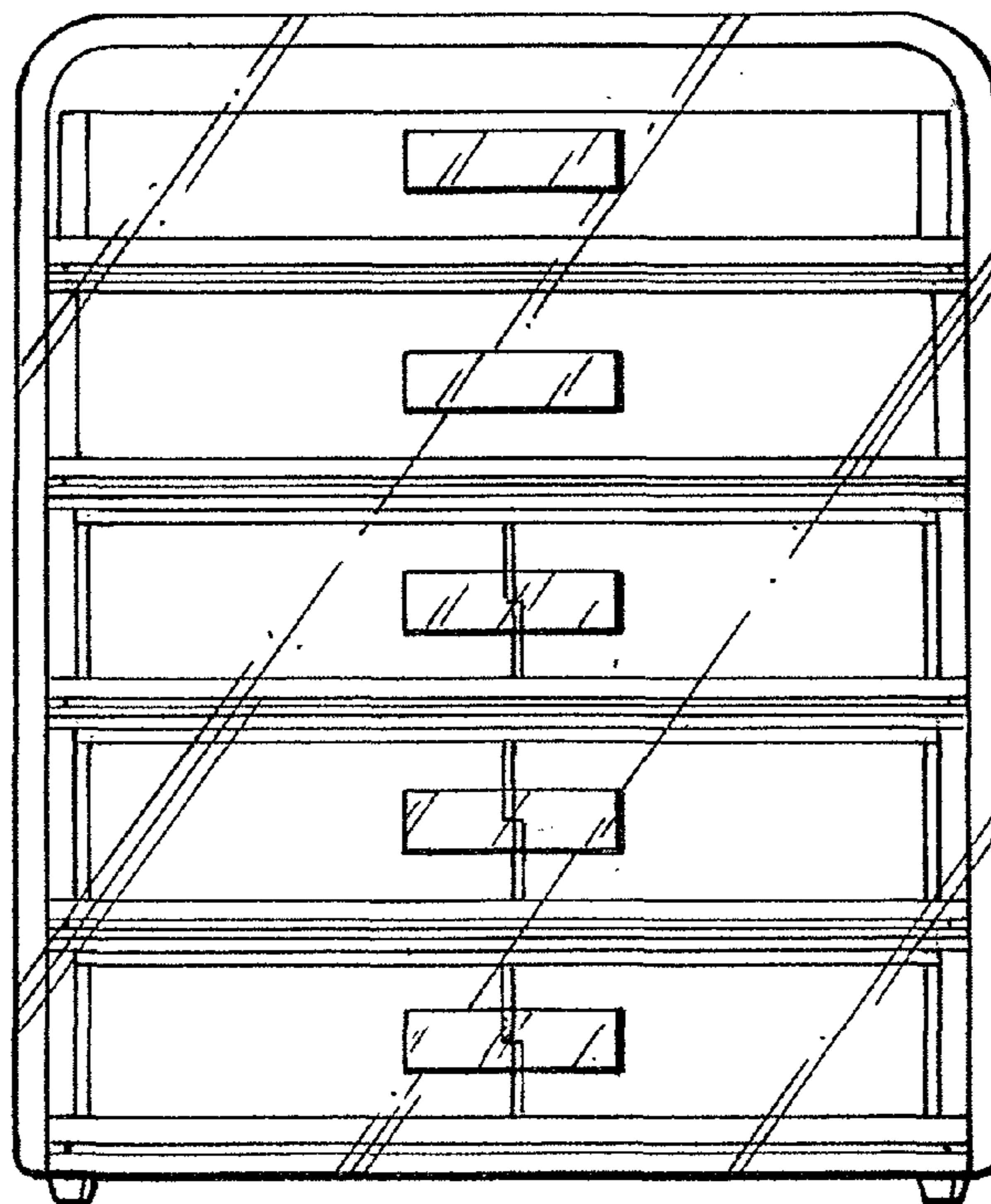


FIG. 3

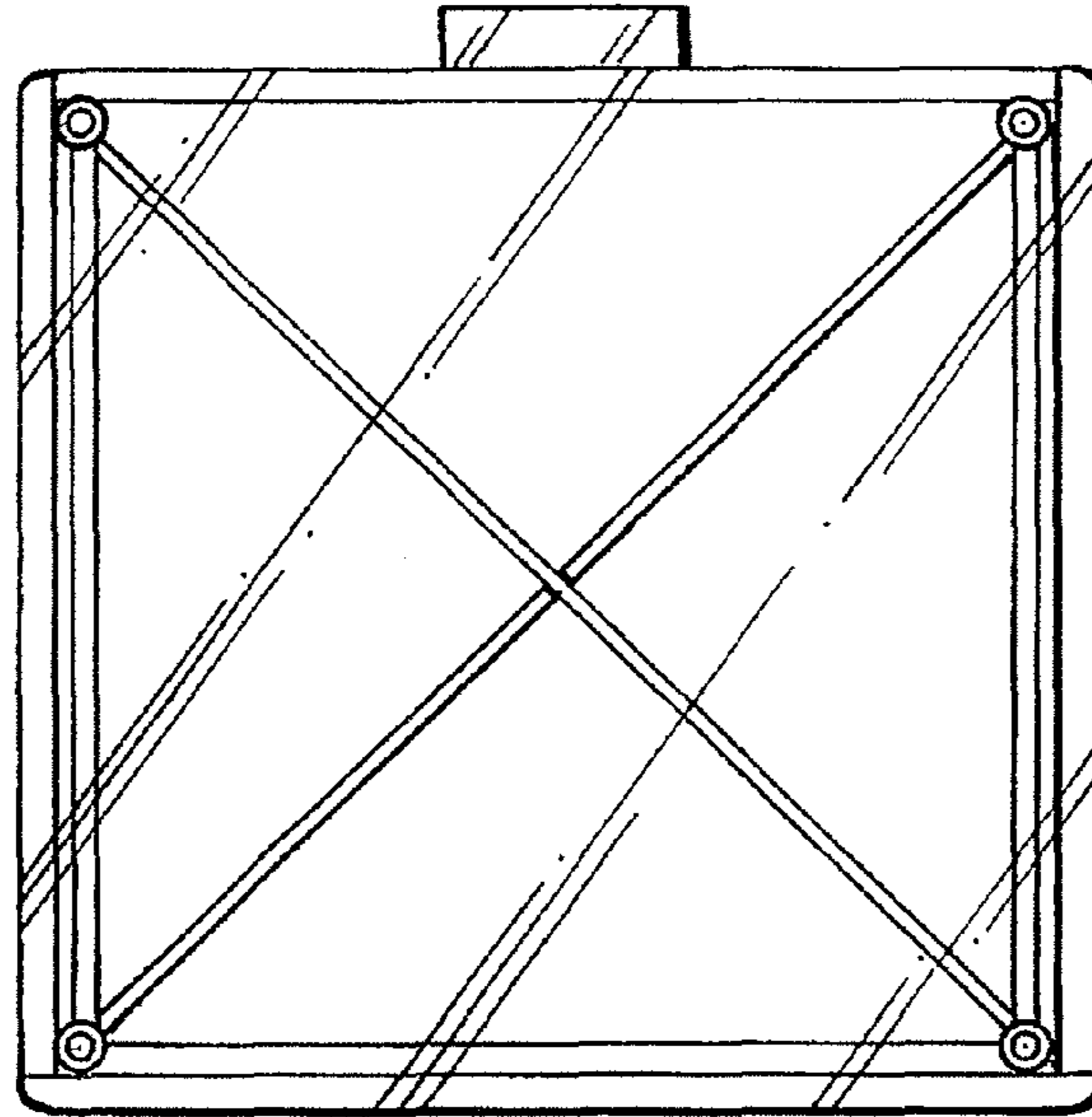


FIG. 4

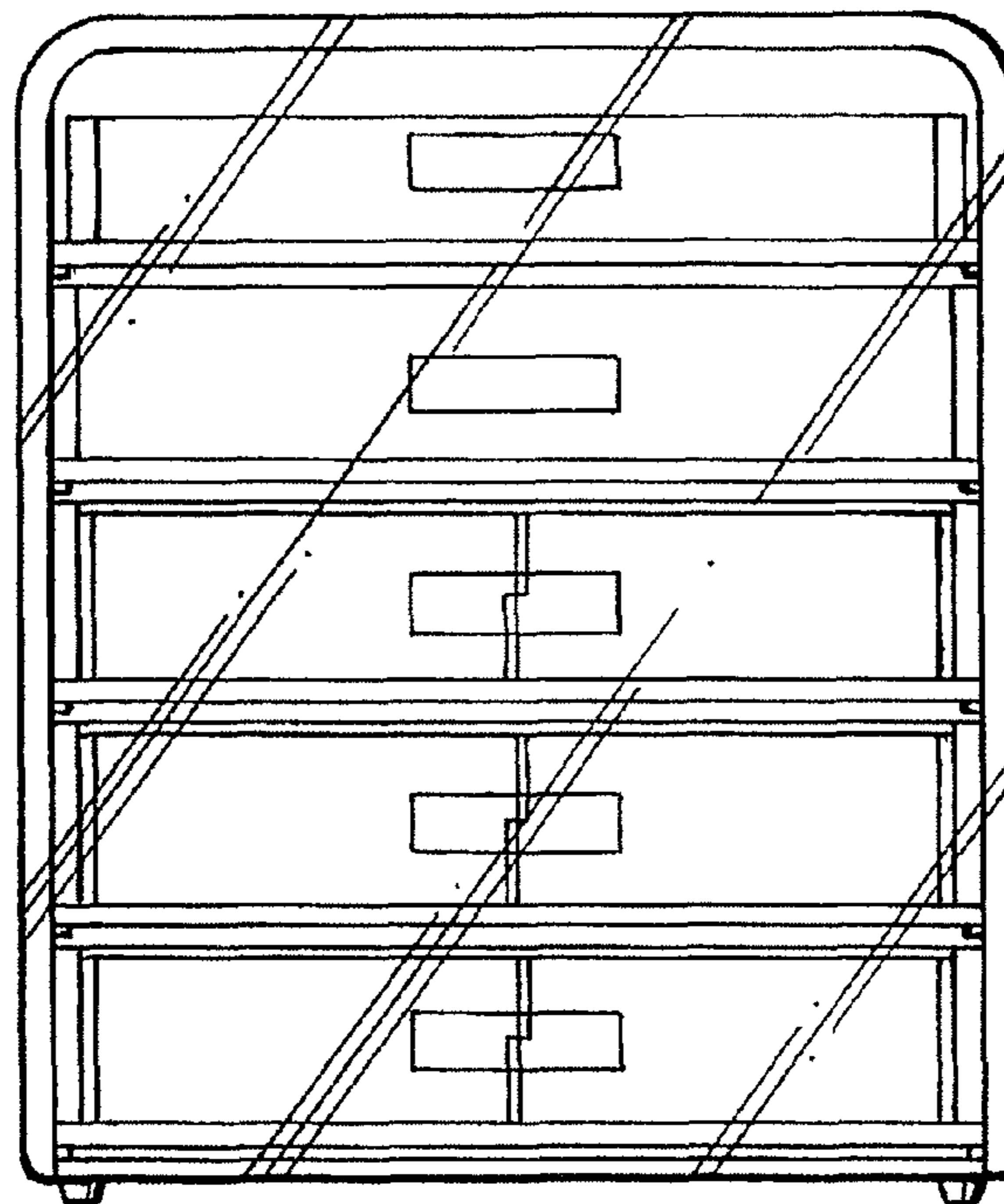


FIG. 5

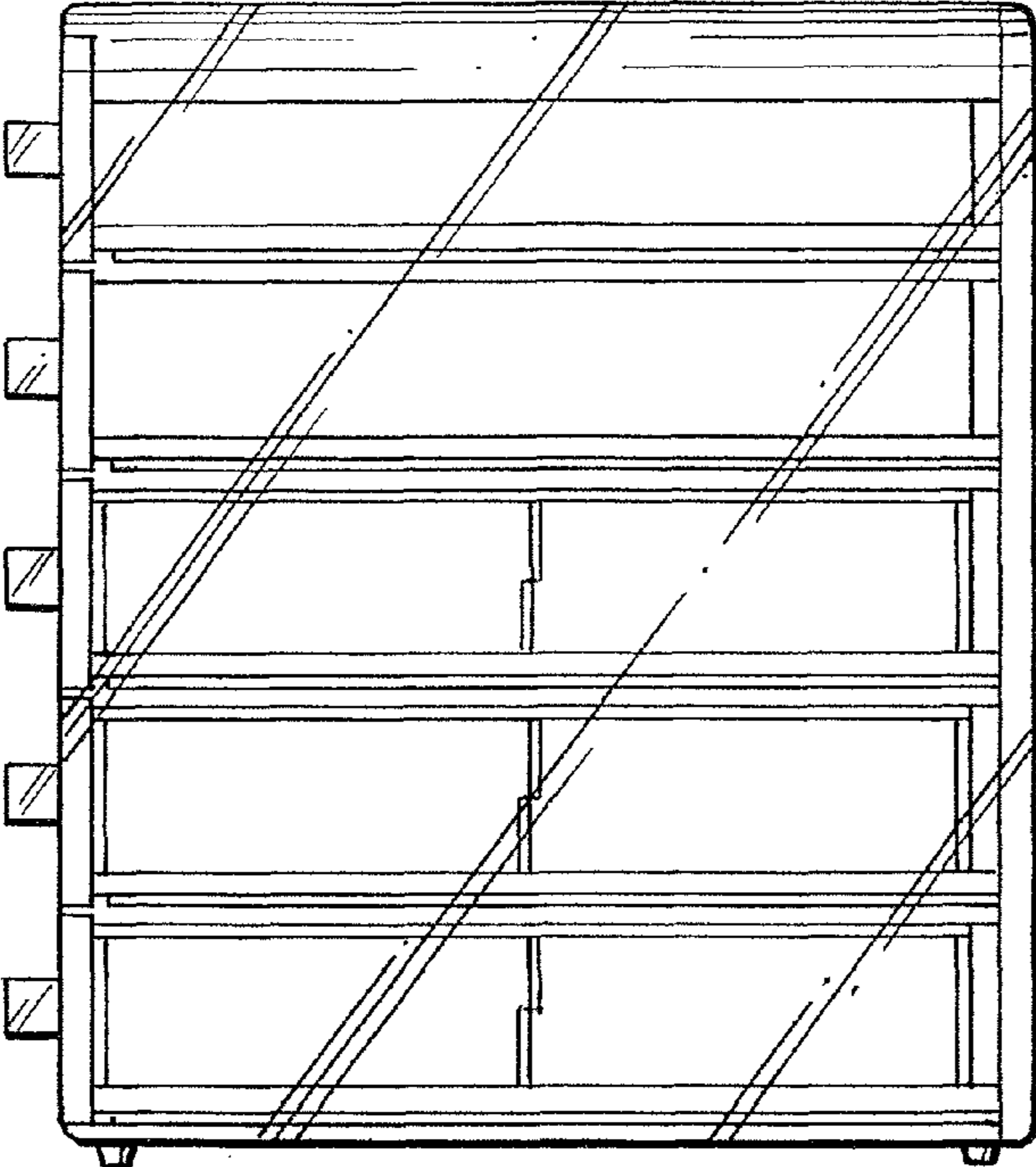


FIG. 6

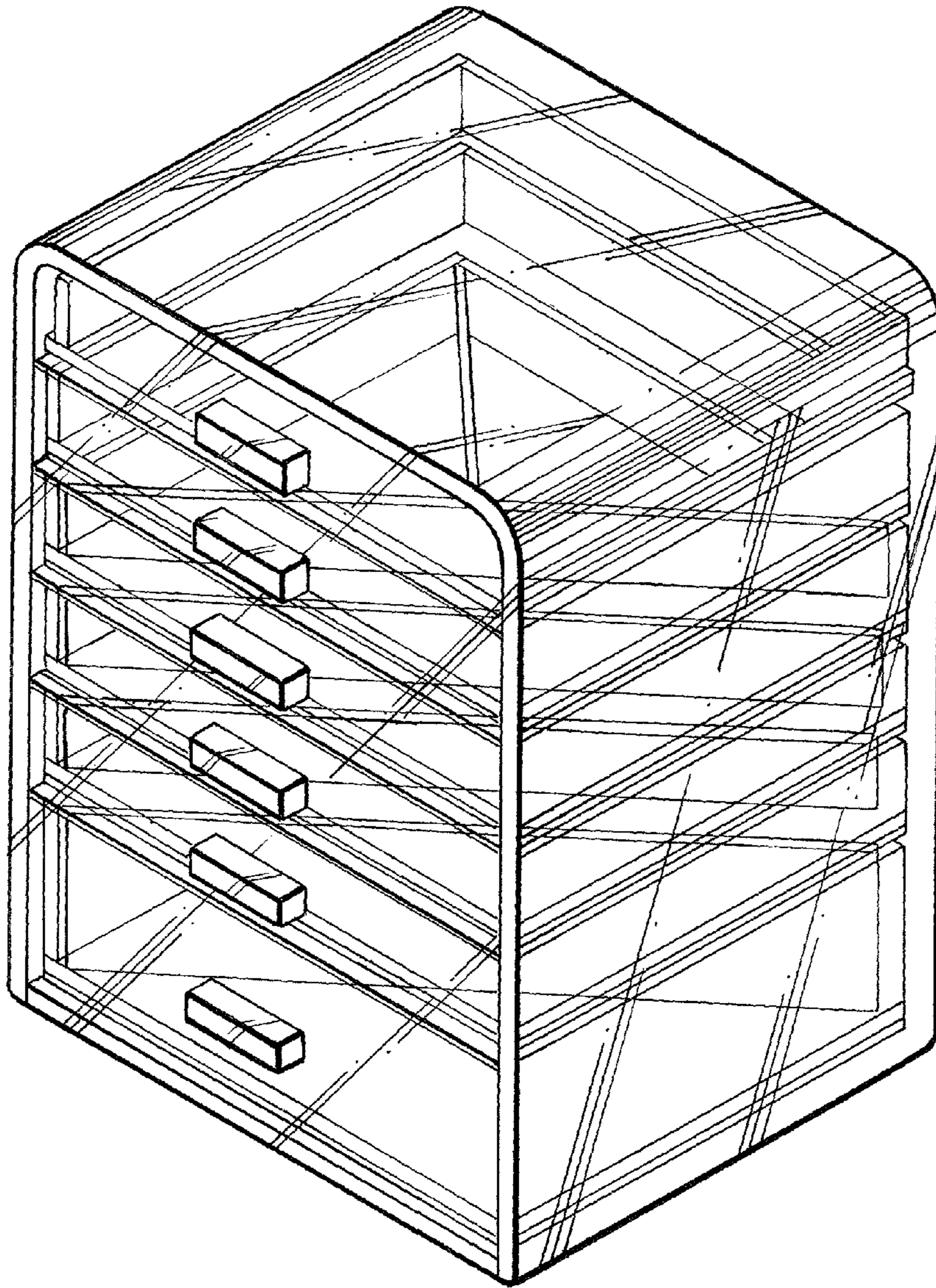


FIG. 7

FIG. 8

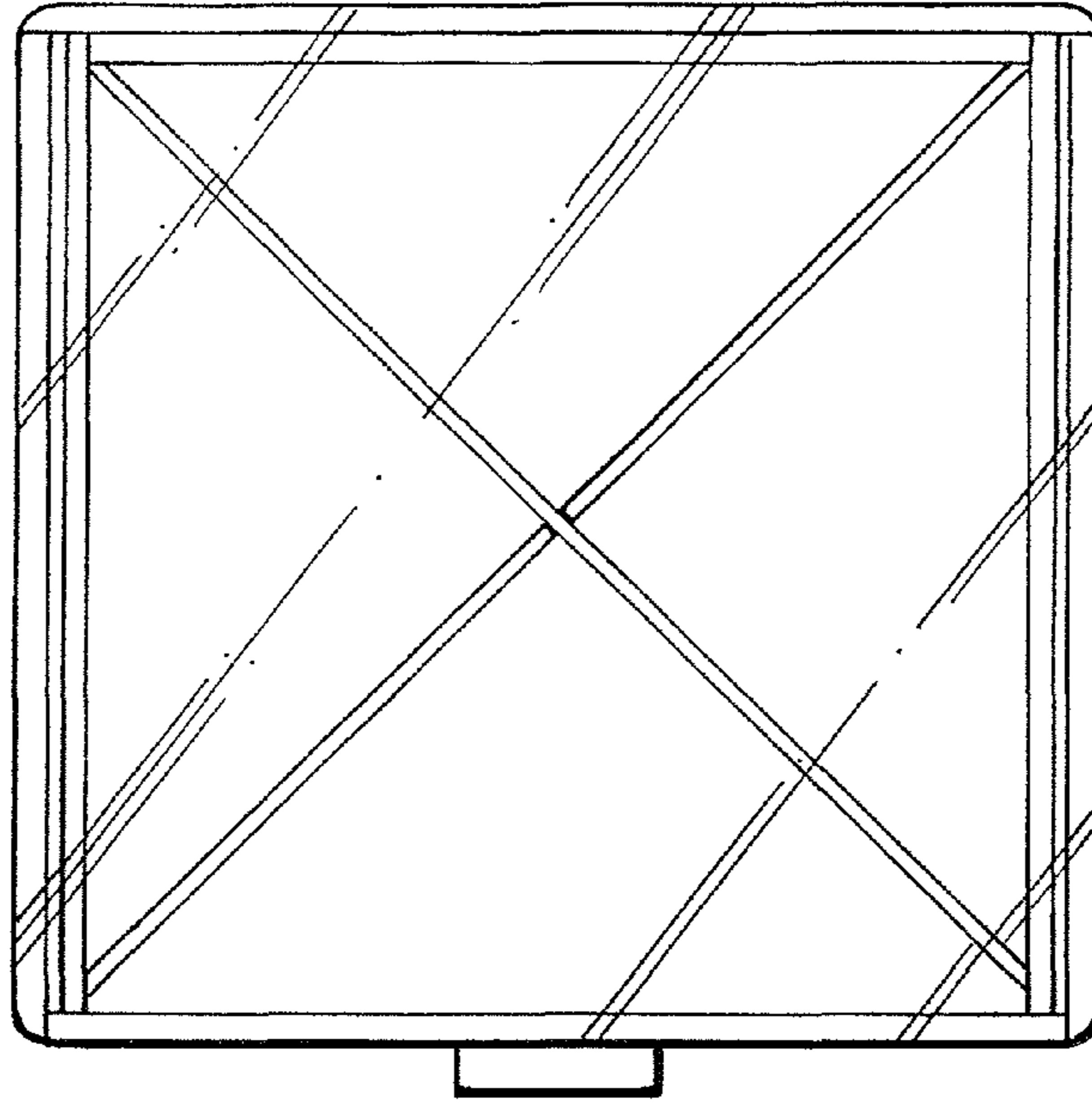


FIG. 9

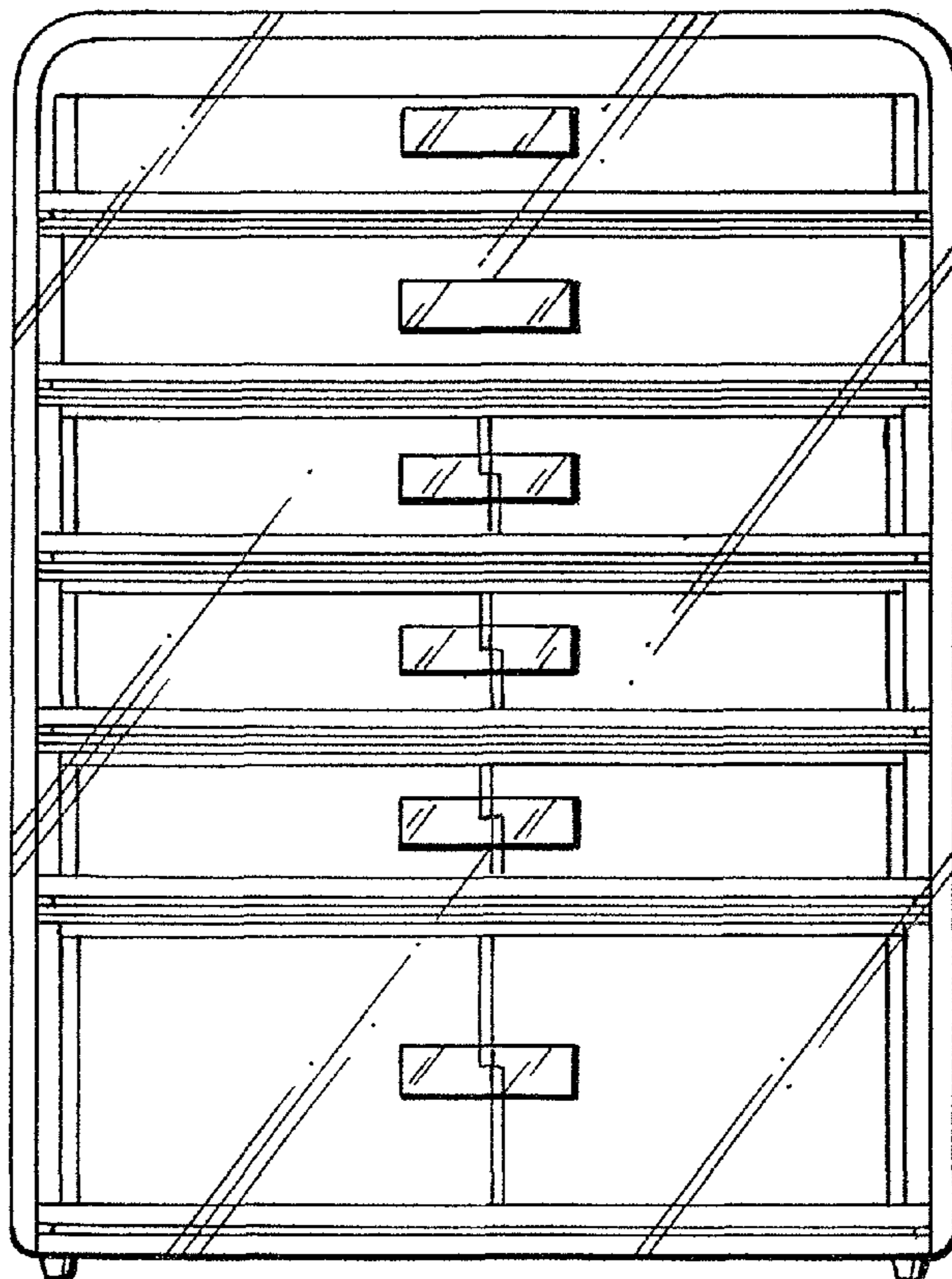


FIG. 10

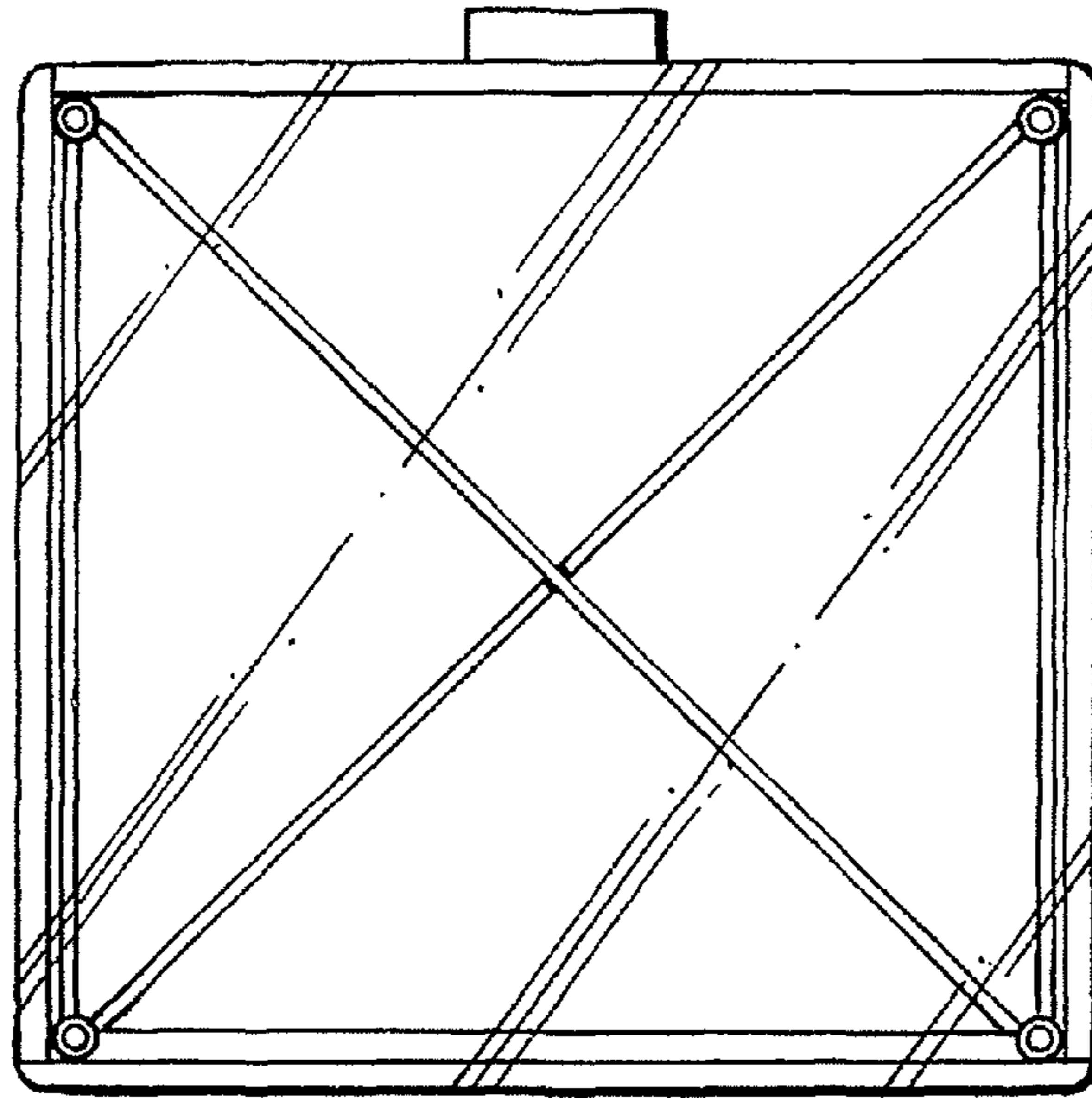
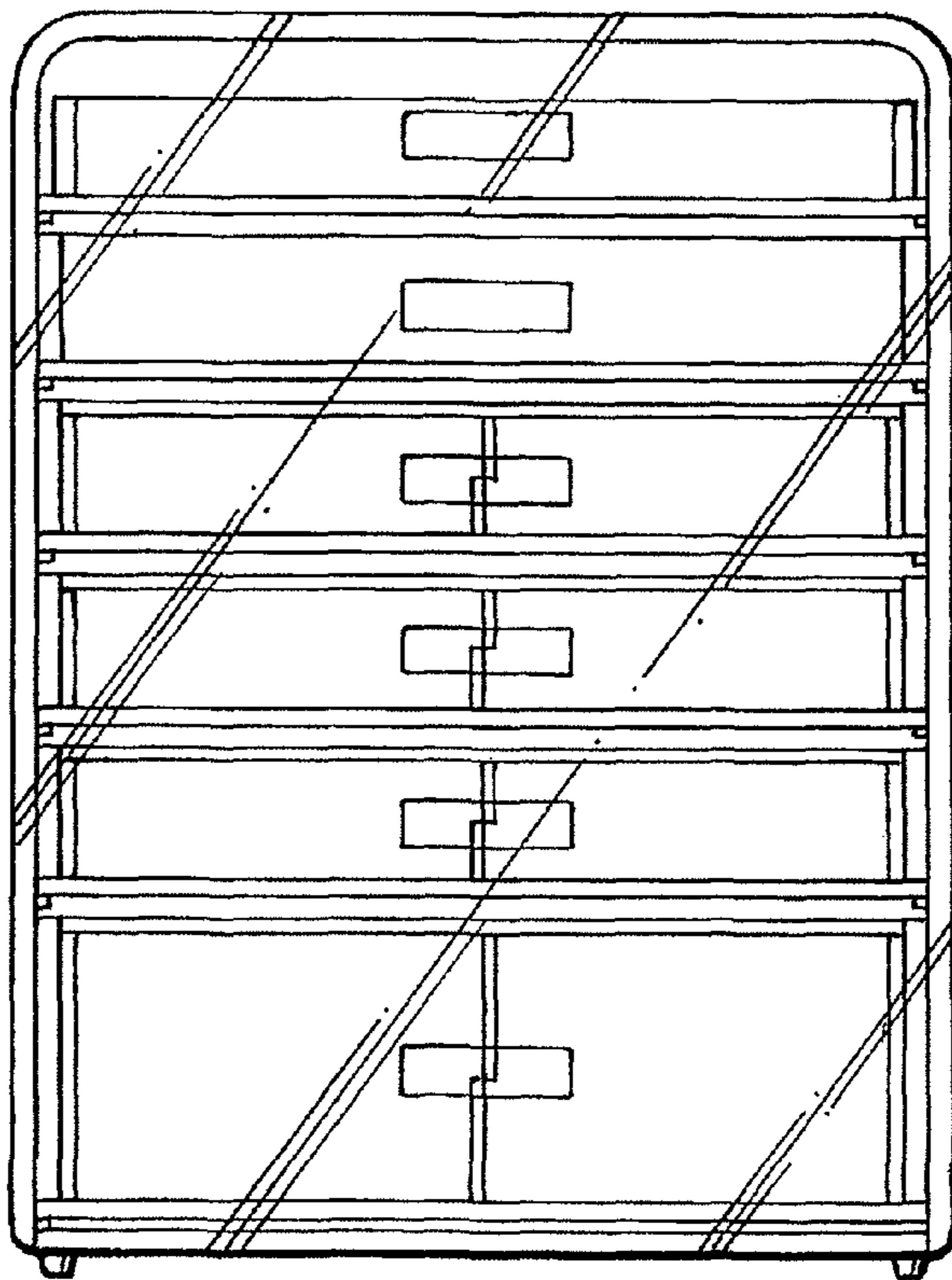


FIG. 11



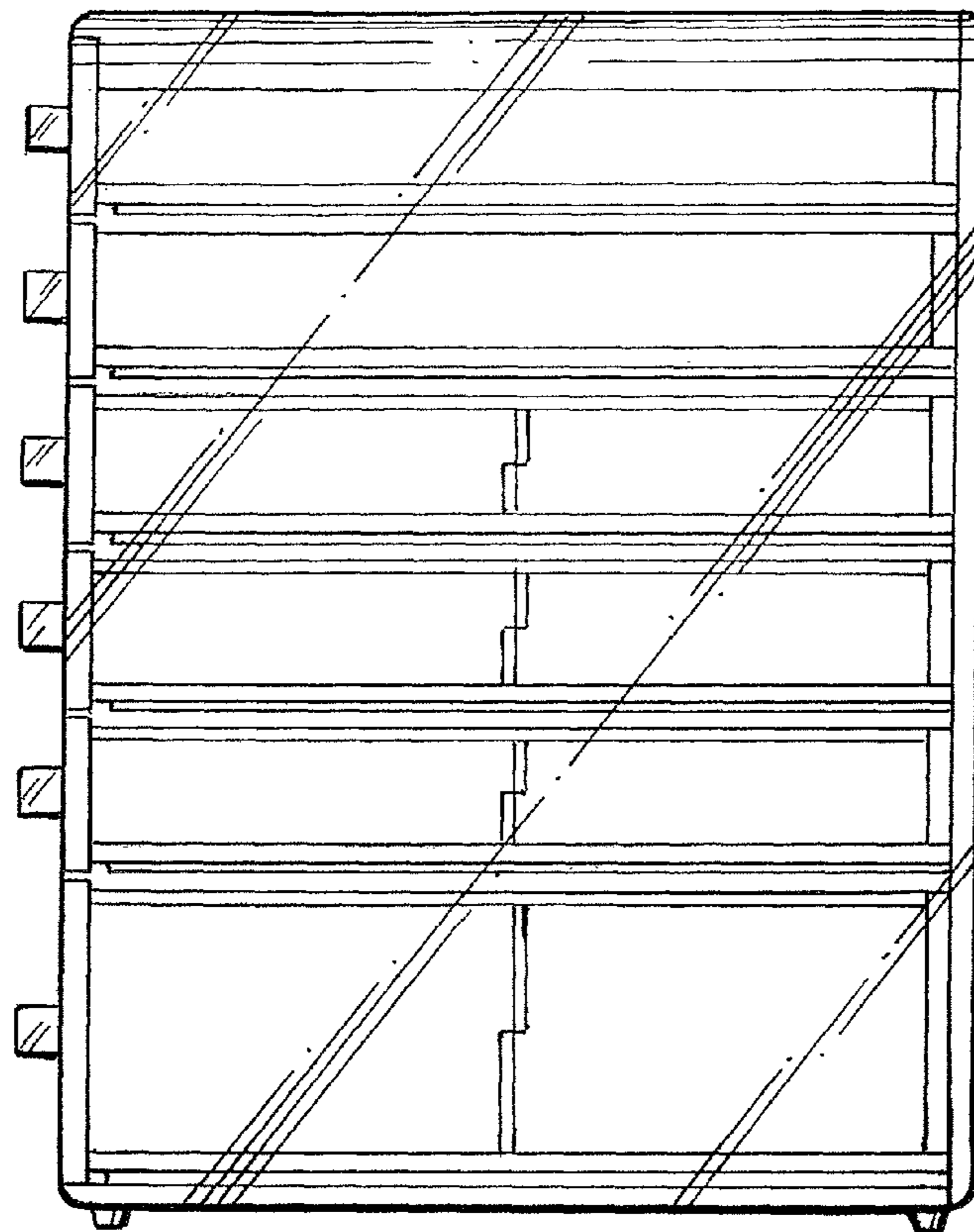


FIG. 12