



US00D694555S

(12) **United States Design Patent**  
**Elliott et al.**

(10) **Patent No.:** **US D694,555 S**

(45) **Date of Patent:** **\*\* Dec. 3, 2013**

(54) **COMPUTER WORK STATION FOR A HOTEL LOBBY**

(56) **References Cited**

(71) Applicant: **Six Continents Hotels, Inc.**, Atlanta, GA (US)  
  
(72) Inventors: **Gavin Elliott**, Amsterdam (NL); **Ian Hendricks**, Amsterdam (NL); **George Gottl**, Amsterdam (NL); **Oliver Michell**, Amsterdam (NL); **Jackie Ball**, Amsterdam (NL)

U.S. PATENT DOCUMENTS

D198,797 S *	8/1964	Platner .....	D6/422
D250,159 S *	11/1978	Pool et al. ....	D6/421
D250,239 S *	11/1978	Pool et al. ....	D6/421
D265,617 S *	8/1982	Saurage et al. ....	D6/481
D273,618 S *	4/1984	Elliott .....	D25/1
D333,221 S *	2/1993	Wurst .....	D6/486
D572,500 S *	7/2008	Franco .....	D6/426

\* cited by examiner

(73) Assignee: **Six Continents Hotels, Inc.**, Atlanta, GA (US)

*Primary Examiner* — Janice Seeger

(\*\*) Term: **14 Years**

(74) *Attorney, Agent, or Firm* — Kilpatrick Townsend & Stockton LLP

(21) Appl. No.: **29/454,101**

(57) **CLAIM**

(22) Filed: **May 6, 2013**

The ornamental design for computer work station for a hotel lobby, as shown and described.

**Related U.S. Application Data**

(62) Division of application No. 29/414,291, filed on Feb. 27, 2012, now Pat. No. Des. 683,981.

(51) **LOC (9) Cl.** ..... **06-03**

(52) **U.S. Cl.**  
USPC ..... **D6/642**

(58) **Field of Classification Search**  
USPC ..... D6/397, 402, 481, 421, 422, 423, 426, D6/486, 432; D25/26; 312/239, 194, 196, 312/198, 140.1, 140.2

See application file for complete search history.

**DESCRIPTION**

FIG. 1 is a perspective view of a computer work station for a hotel lobby showing our new design; FIG. 2 is a front elevational view thereof; FIG. 3 is a rear elevational view thereof; FIG. 4 is a left side elevational view thereof; and, FIG. 5 is a right side elevational view thereof.

**1 Claim, 3 Drawing Sheets**

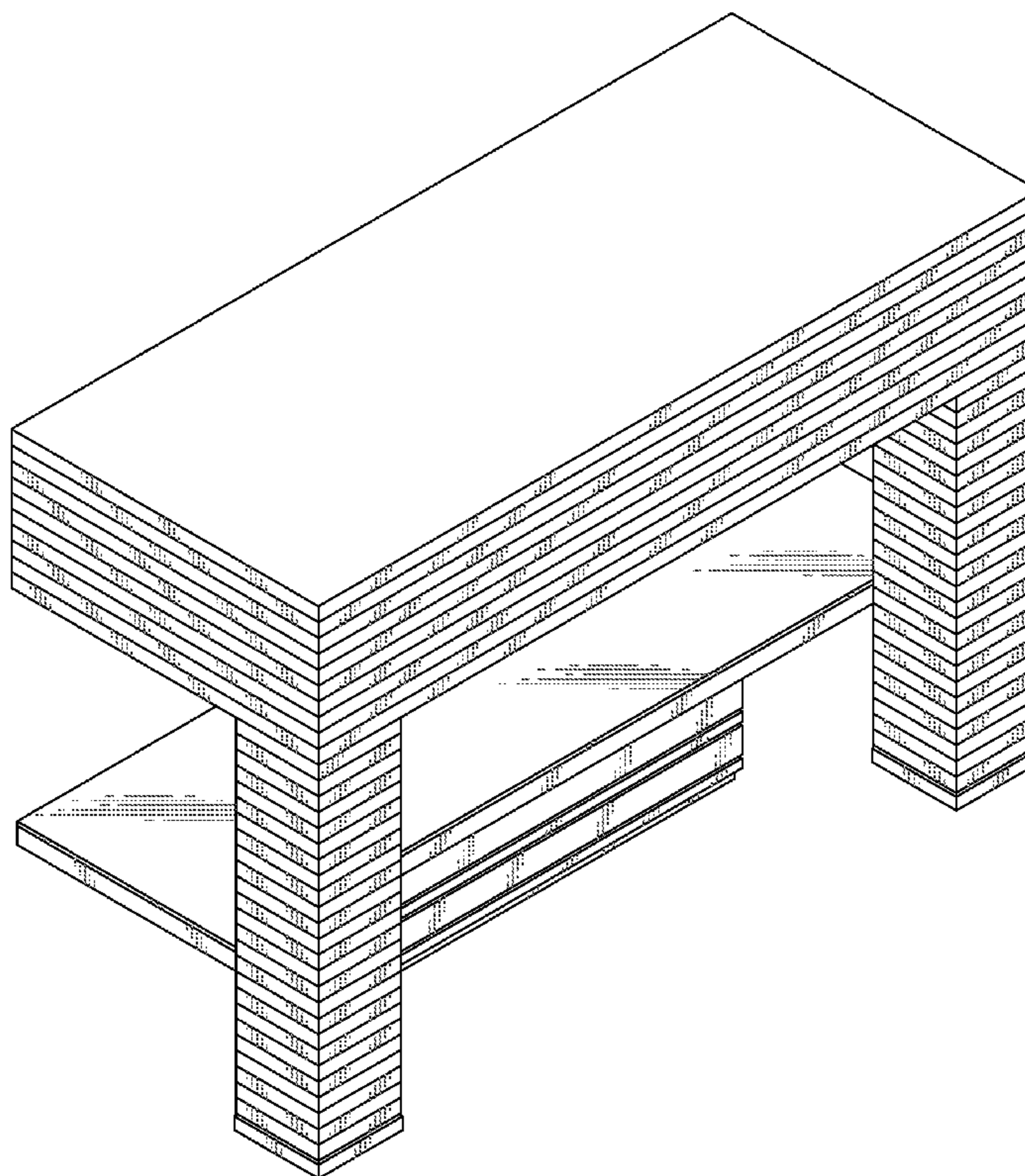


FIG. 1

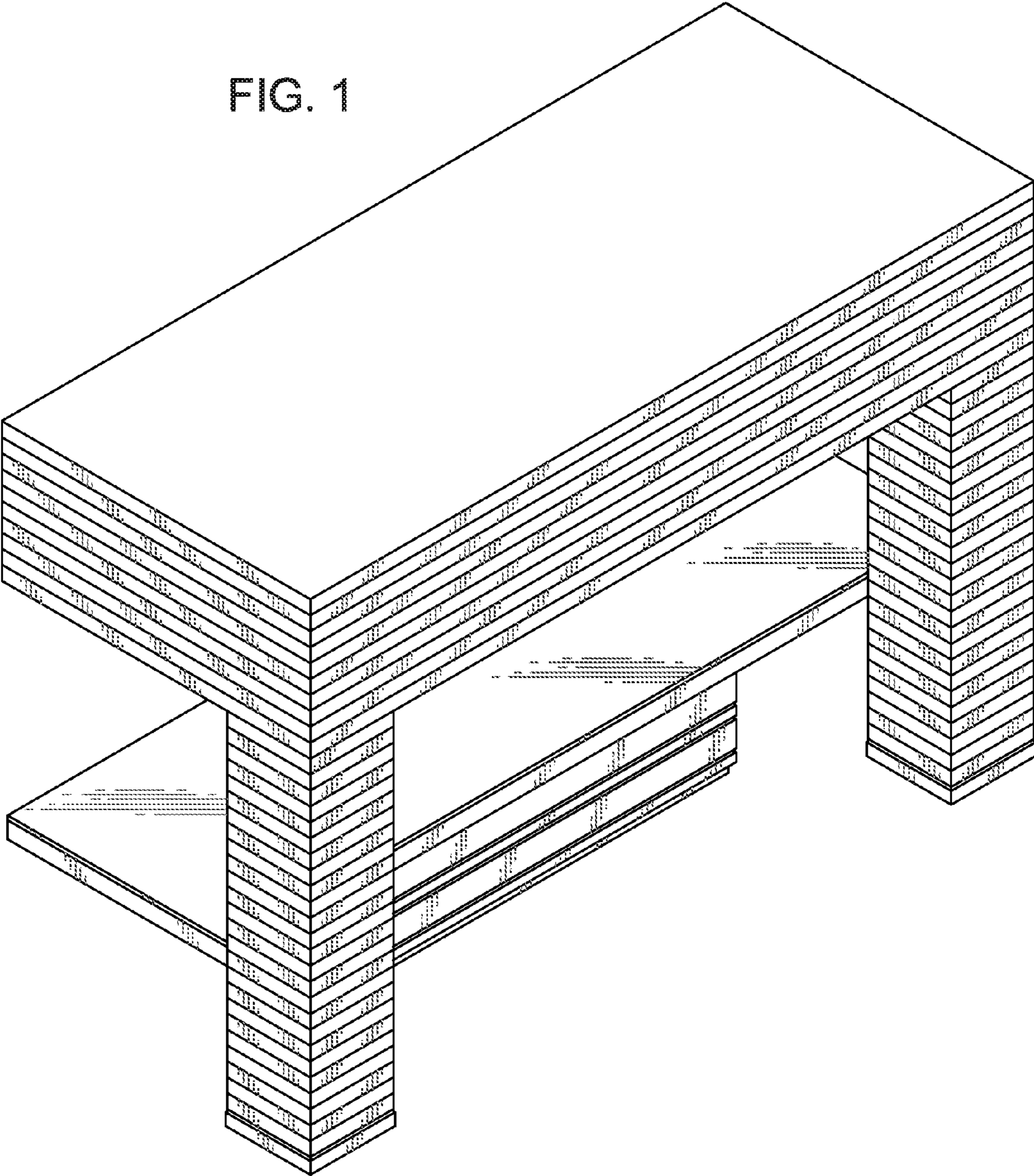


FIG. 2

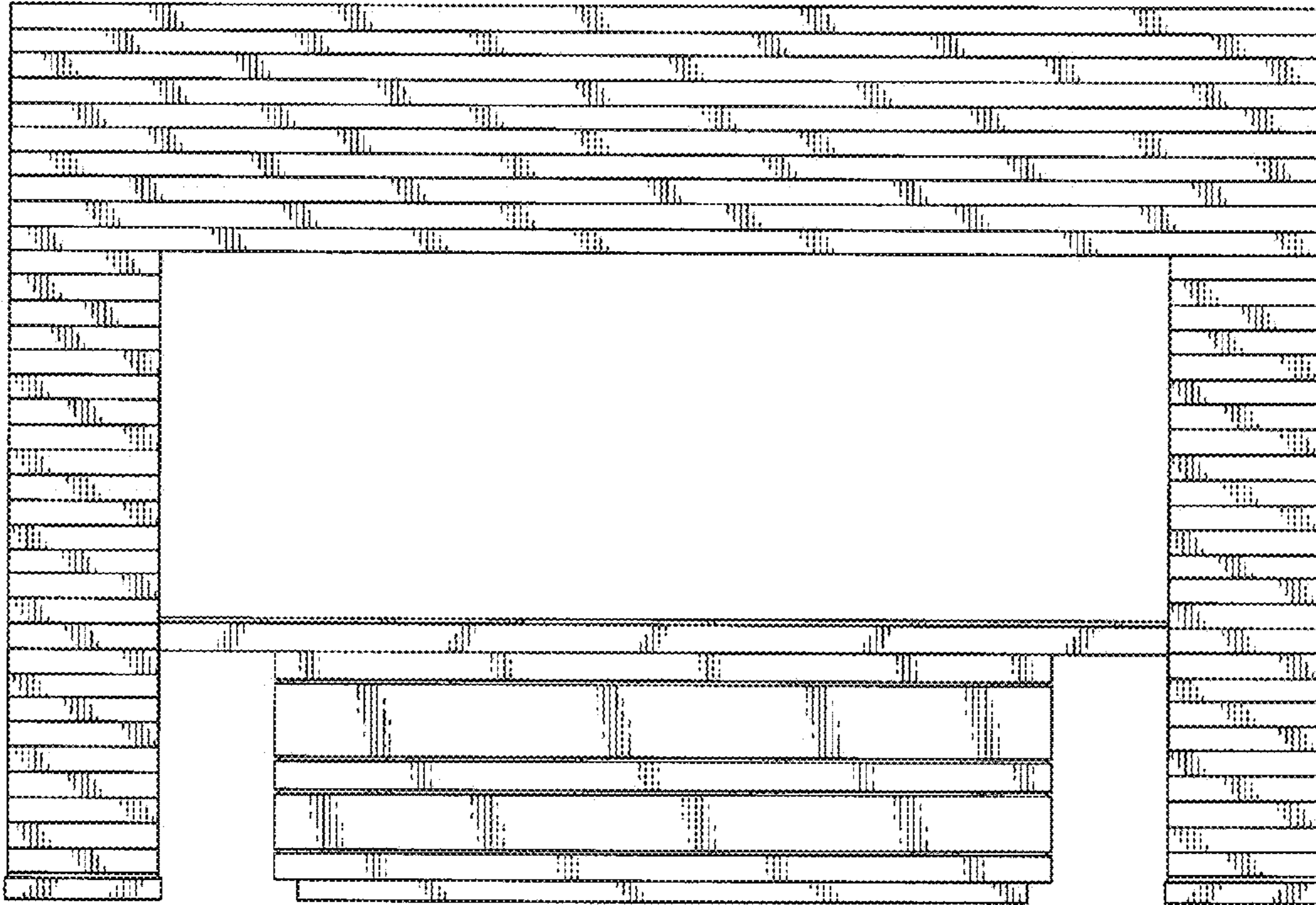


FIG. 3

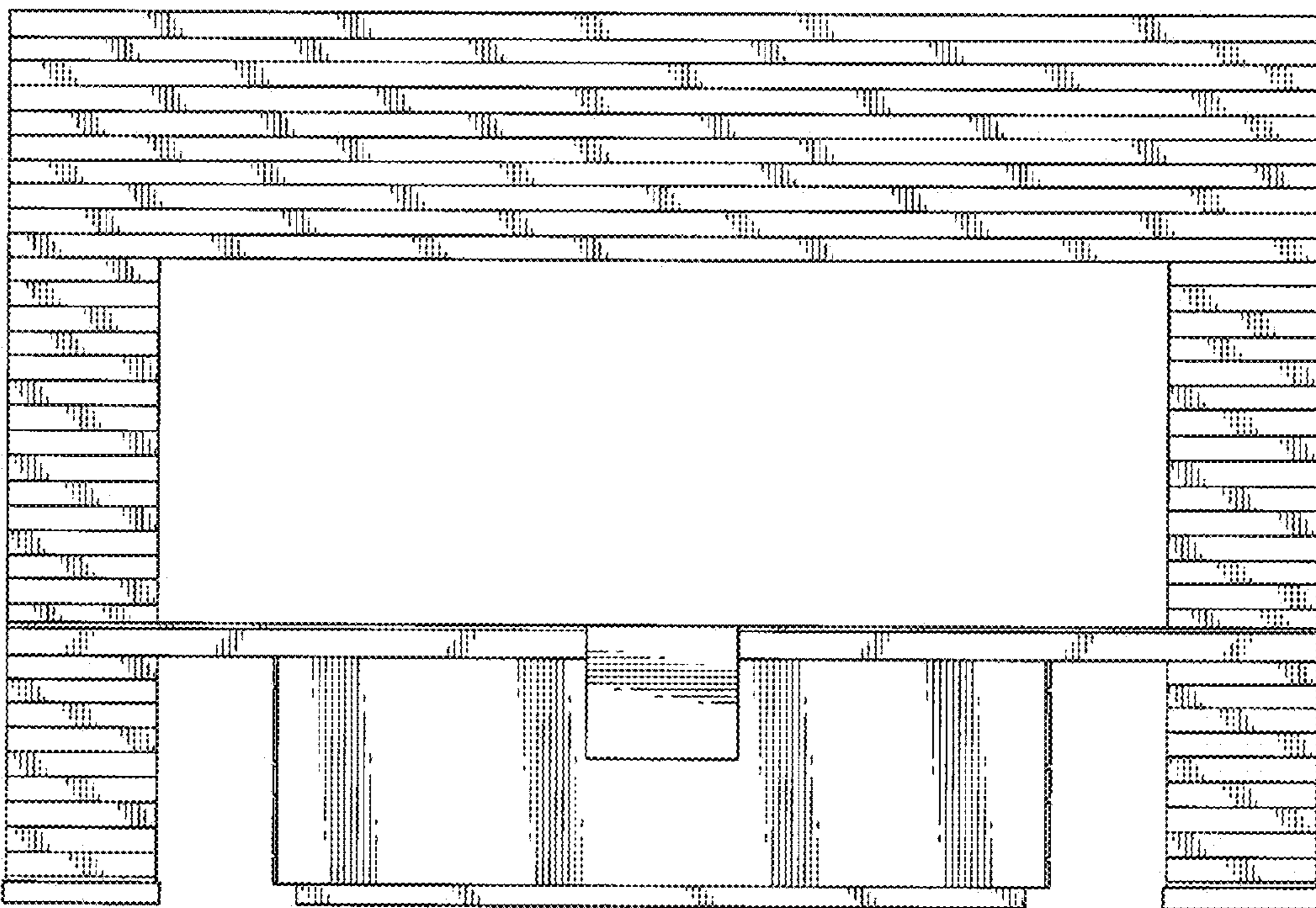


FIG. 4

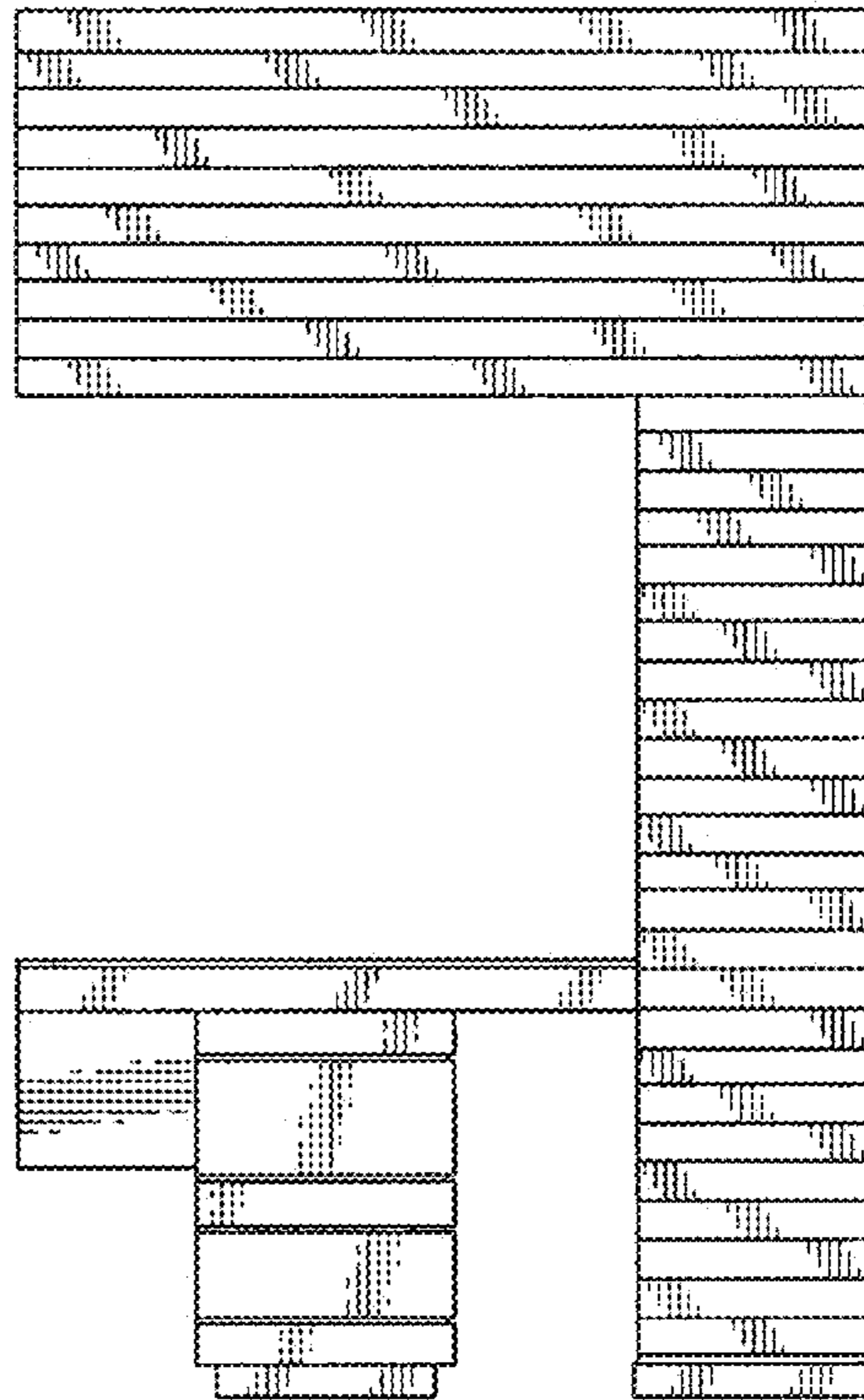


FIG. 5

