

US00D694549S

(12) **United States Design Patent**
Thomas

(10) **Patent No.:** **US D694,549 S**
(45) **Date of Patent:** **** *Dec. 3, 2013**

(54) **GOLF BAG ORAL HYGIENE PRODUCTS HOLDER**

(71) Applicant: **Scott Thomas**, Fairfield, CA (US)

(72) Inventor: **Scott Thomas**, Fairfield, CA (US)

(*) Notice: This patent is subject to a terminal disclaimer.

(**) Term: **14 Years**

(21) Appl. No.: **29/435,216**

(22) Filed: **Oct. 22, 2012**

(51) **LOC (9) Cl.** **23-02**

(52) **U.S. Cl.**
USPC **D6/534; D6/528**

(58) **Field of Classification Search**
USPC D6/524, 526, 527, 528, 534; 206/208, 206/228, 209, 209.1, 361, 362, 362.1, 206/362.2, 362.3; 211/13.1, 66, 70.6, 211/86.01, 87.01; D7/701, 635, 637; D3/255; D21/796, 789

See application file for complete search history.

(56) **References Cited**

U.S. PATENT DOCUMENTS

D111,002 S	8/1938	Paisley
D144,139 S	3/1946	Saffady
D160,309 S	10/1950	Fainberg
D279,248 S	6/1985	Oliver
D296,617 S	7/1988	Zucker
D345,824 S	4/1994	Fitz
D360,762 S	8/1995	Porter
D367,339 S	2/1996	Dunn

D368,327 S	3/1996	Dunn	
D377,998 S	2/1997	Dunn	
D394,772 S	6/1998	Tungol	
D415,398 S	10/1999	Wysopal	
D419,305 S	1/2000	Porter	
D422,822 S	4/2000	Cayouette	
D460,271 S	7/2002	Denebeim	
D465,334 S	11/2002	Messenger	
D497,481 S	10/2004	Porter	
D497,482 S	10/2004	Porter	
D580,164 S *	11/2008	Boretti	D3/255
D600,910 S *	9/2009	Saconay-Duhart	D3/255
D651,436 S *	1/2012	Volk	D6/534
D661,147 S *	6/2012	Tran	D6/534

* cited by examiner

Primary Examiner — Brian N Vinson

(74) *Attorney, Agent, or Firm* — Daniel Boudwin

(57) **CLAIM**

The ornamental design for a golf bag oral hygiene products holder, as shown and described.

DESCRIPTION

FIG. 1 is a perspective view of the present invention.

FIG. 2 is a front view of the present invention.

FIG. 3 is a rear view of the present invention.

FIG. 4 is a side view of the present invention.

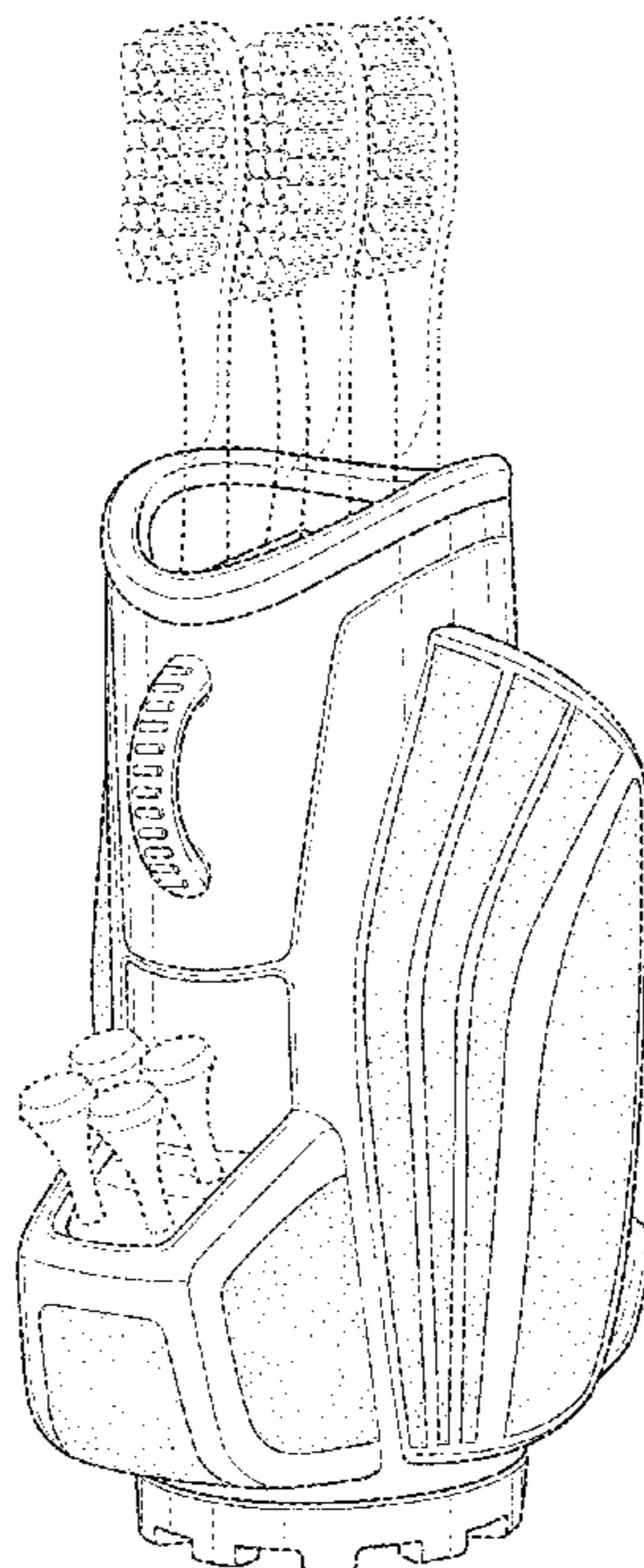
FIG. 5 is an overhead view of the present invention.

FIG. 6 is an underside view of the present invention; and,

FIG. 7 is a perspective view of the present invention.

The broken line disclosure in the referenced drawings is understood to represent either portions of the article in which the claimed design is embodied but which form no part of the claimed design, or environmental structure which also forms no part of the claimed design.

1 Claim, 6 Drawing Sheets



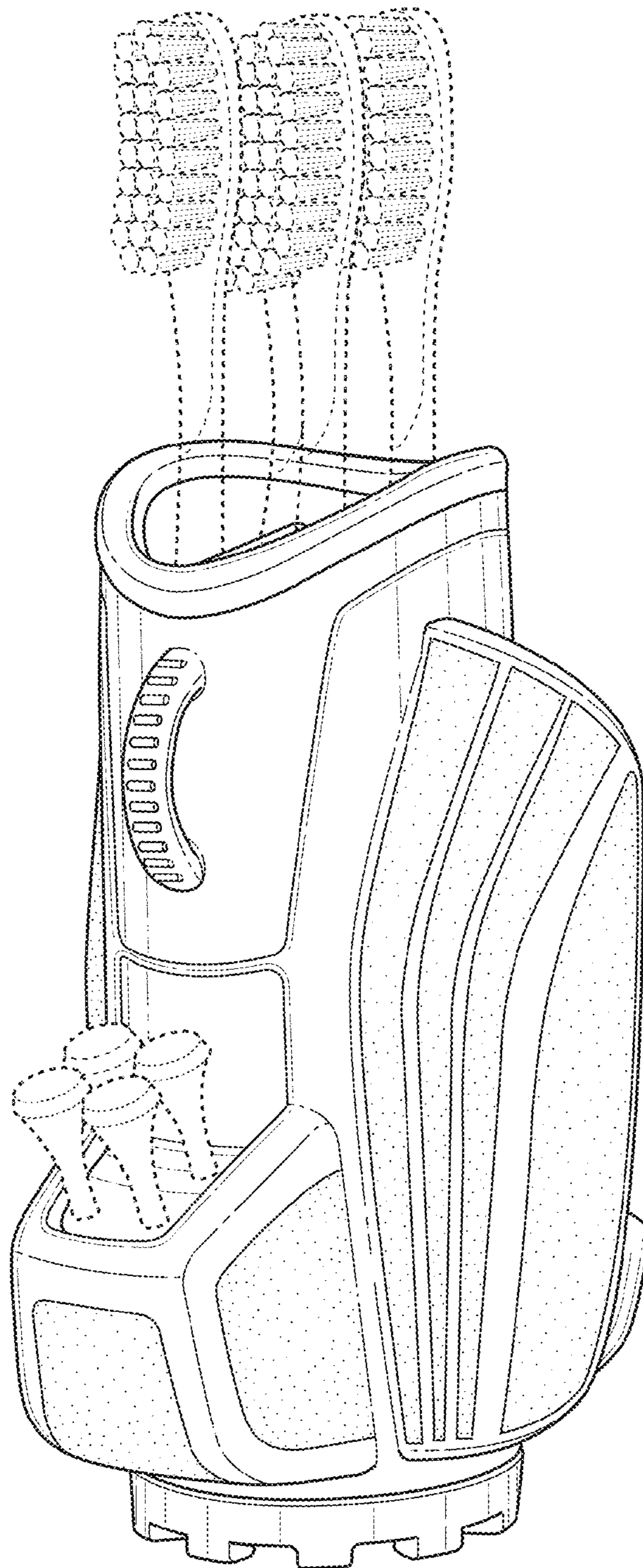


FIG. 1

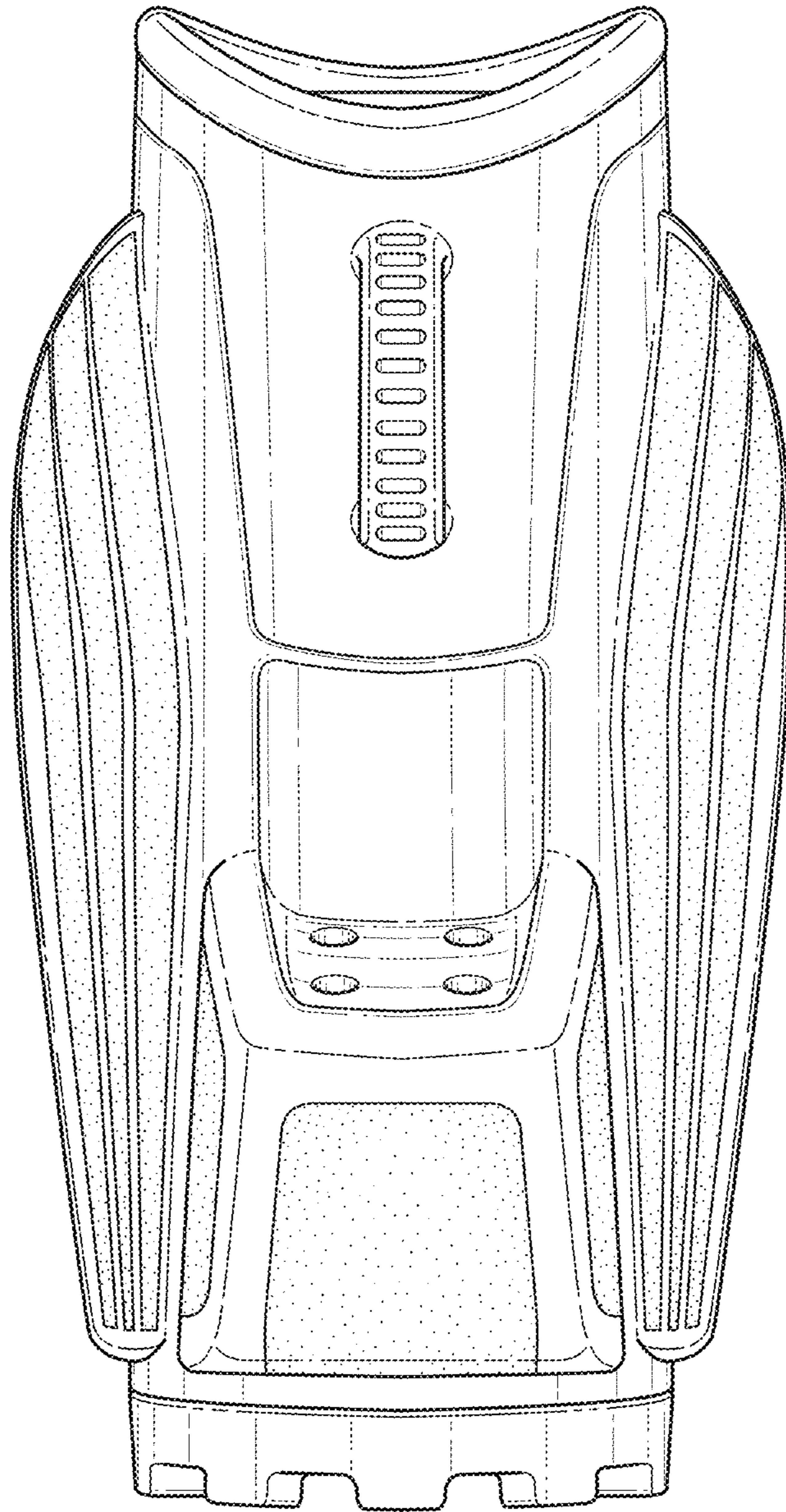


FIG. 2

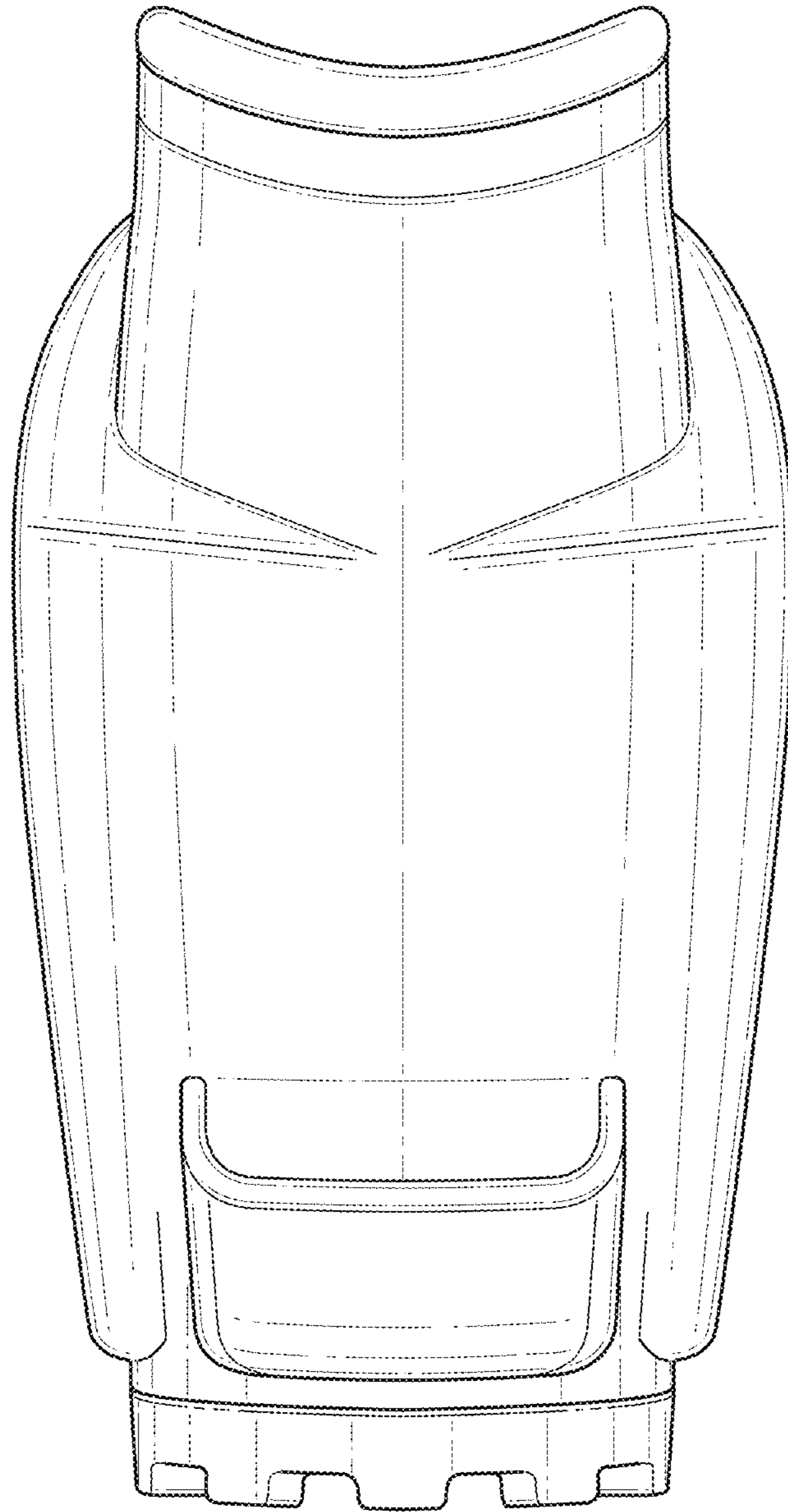


FIG. 3

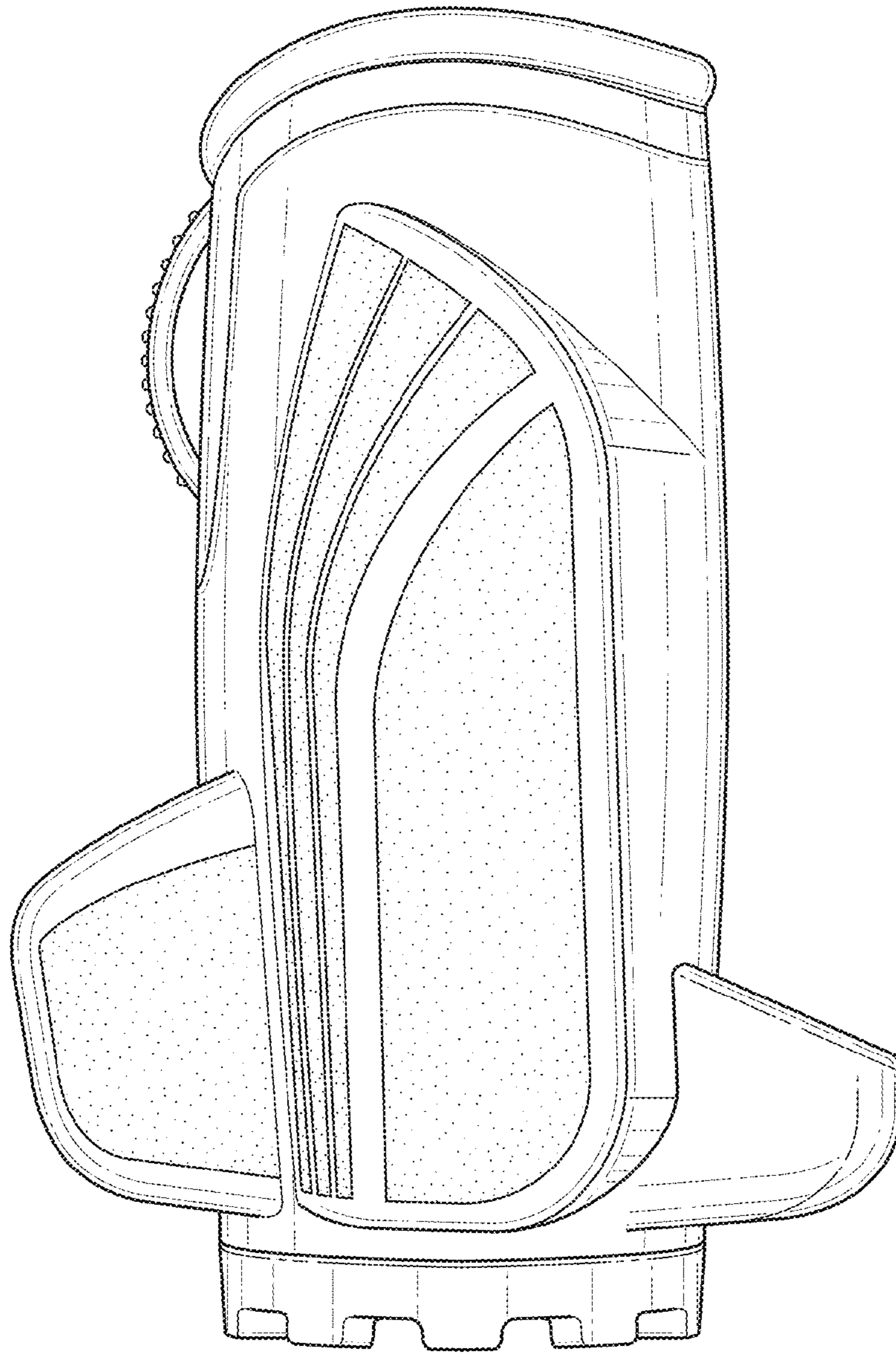


FIG. 4

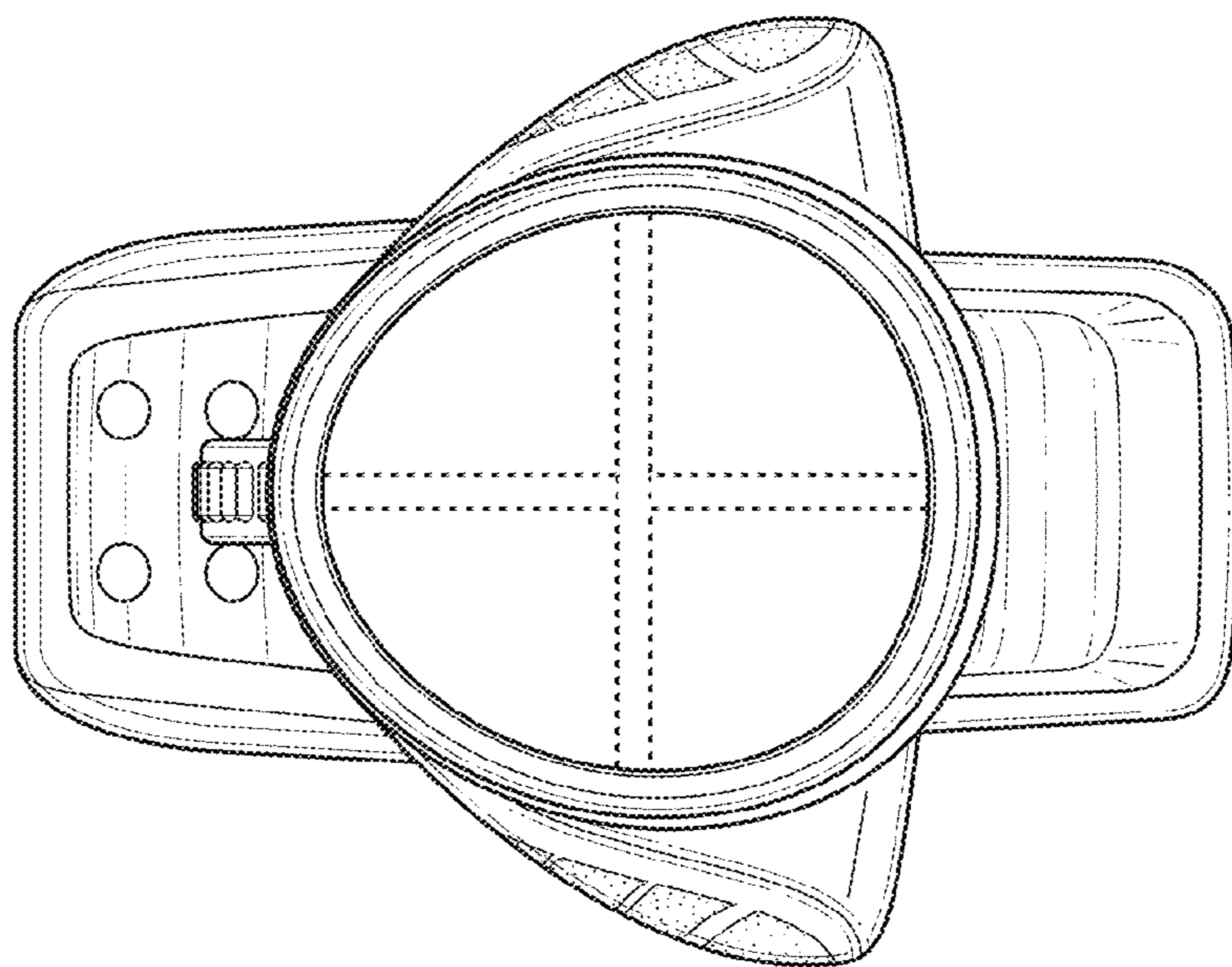


FIG. 5

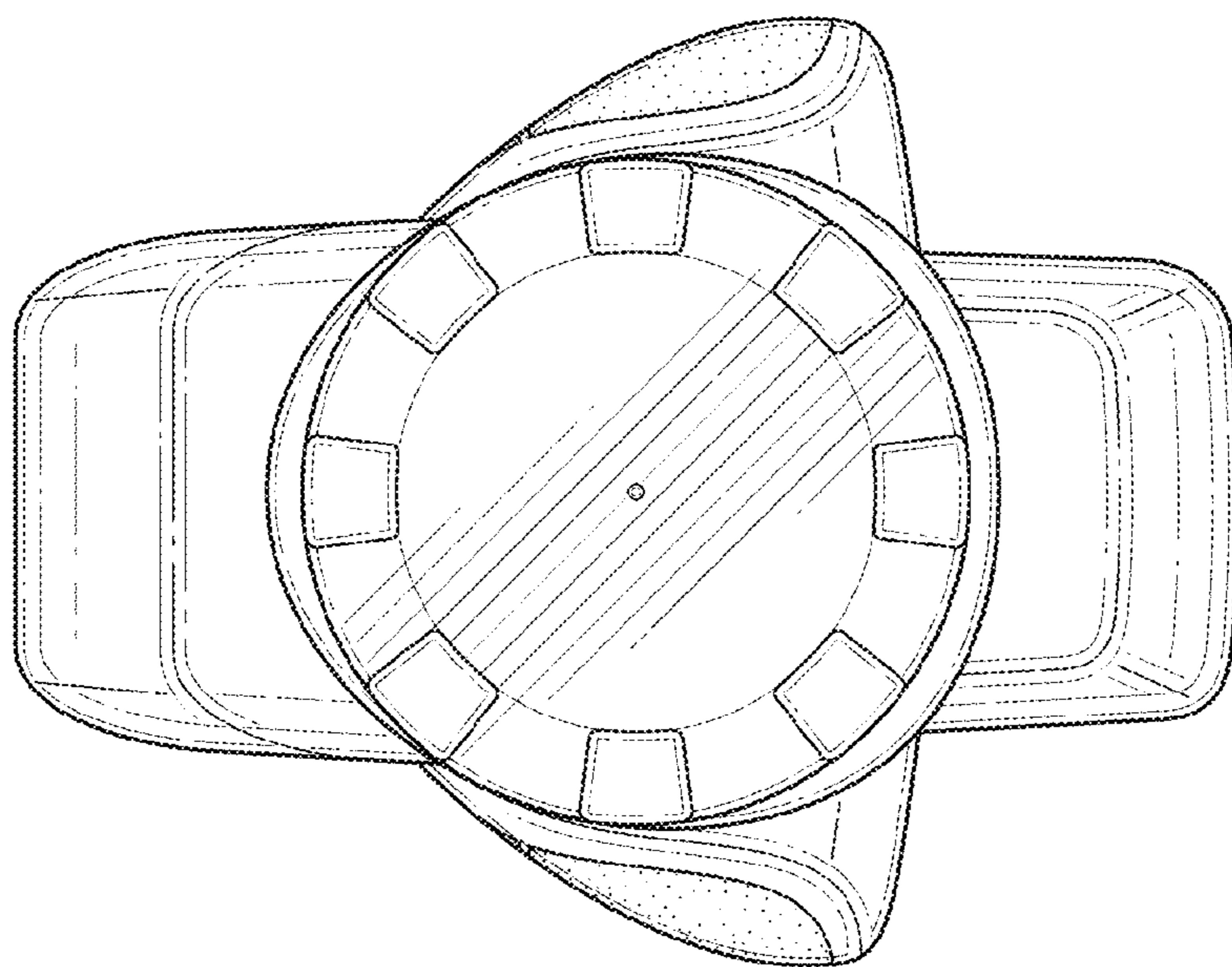


FIG. 6

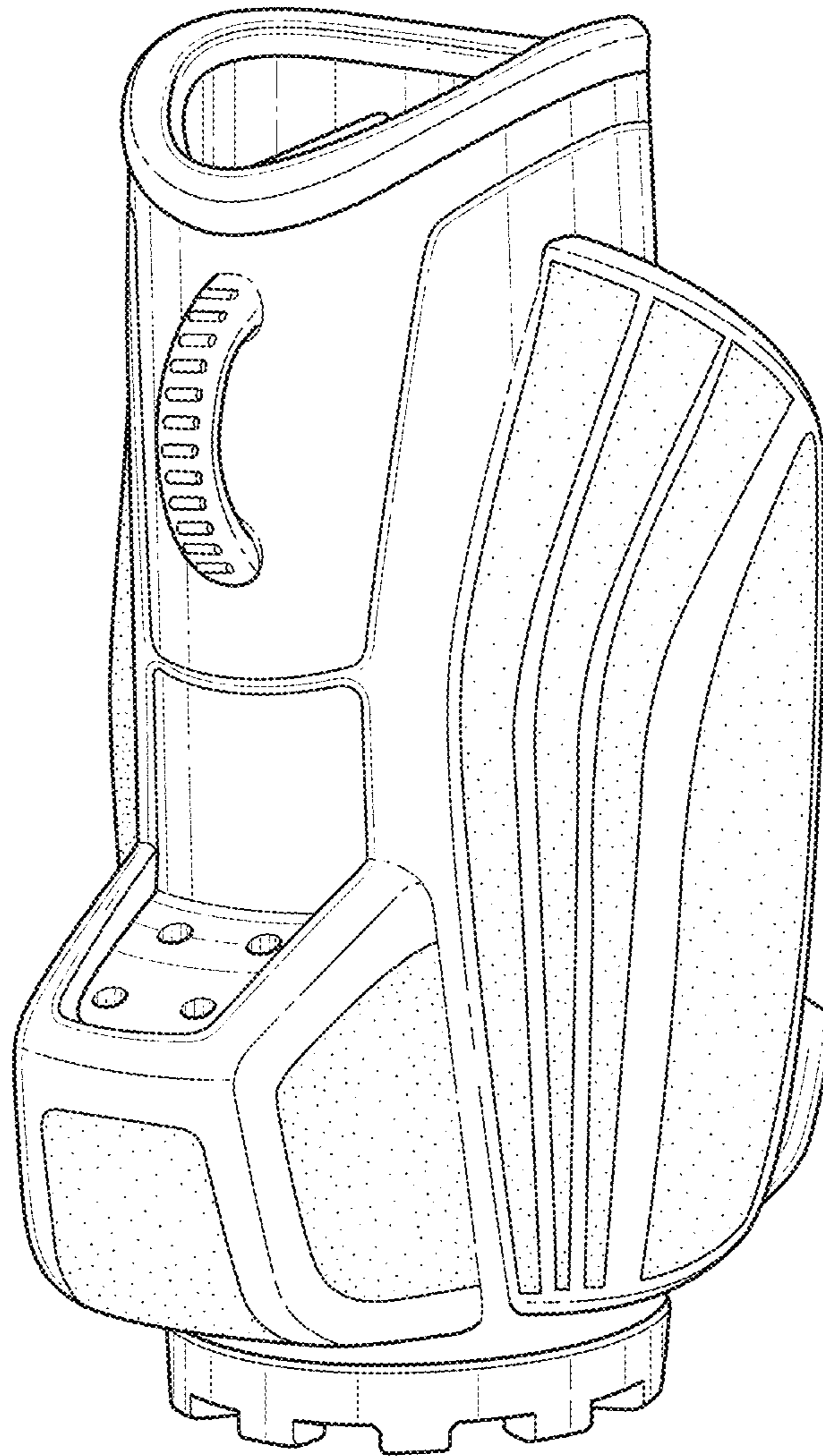


FIG. 7