



US00D694548S

(12) **United States Design Patent**  
**Snell**

(10) **Patent No.:** **US D694,548 S**  
(45) **Date of Patent:** **\*\* Dec. 3, 2013**

(54) **SHOWER CADDY**

(75) Inventor: **Russell Benton Snell**, Bentleyville, OH  
(US)

(73) Assignee: **InterDesign, Inc.**, Solon, OH (US)

(\*\*) Term: **14 Years**

(21) Appl. No.: **29/411,666**

(22) Filed: **Jan. 25, 2012**

(51) **LOC (9) Cl.** ..... **23-02**

(52) **U.S. Cl.**  
USPC ..... **D6/525**

(58) **Field of Classification Search**

USPC ..... D6/524, 525, 566, 536, 540, 513-514;  
211/13.1, 74, 71.01, 86.01, 75, 88.01,  
211/90.01, 90.03, 106, 119, 126.1, 133.5,  
211/181.1, 134

See application file for complete search history.

(56) **References Cited**

**U.S. PATENT DOCUMENTS**

D479,074 S \* 9/2003 Snell ..... D6/525  
D557,050 S 12/2007 Dretzka  
D566,439 S \* 4/2008 Dretzka ..... D6/525  
D572,061 S \* 7/2008 Snider ..... D6/525  
D615,333 S \* 5/2010 Snell ..... D6/525

D617,128 S \* 6/2010 Guindi ..... D6/525  
D632,513 S \* 2/2011 Cittadino ..... D6/525  
D643,236 S \* 8/2011 Cittadino ..... D6/525  
D644,050 S \* 8/2011 Cittadino ..... D6/525  
D677,089 S \* 3/2013 Tawil ..... D6/525

\* cited by examiner

*Primary Examiner* — Brian N Vinson

(74) *Attorney, Agent, or Firm* — Calfee, Halter & Griswold  
LLP

(57) **CLAIM**

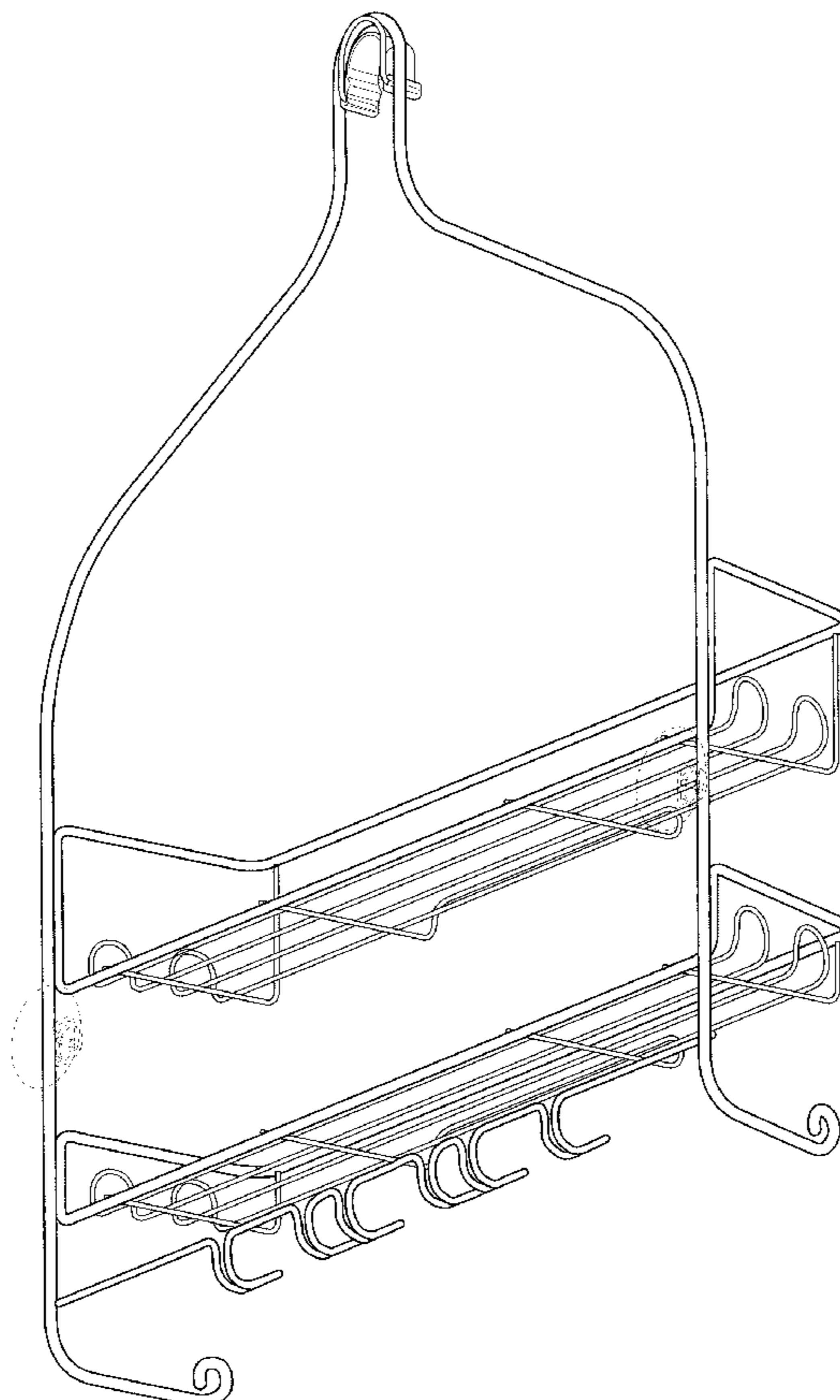
The ornamental design for a shower caddy, as shown and described.

**DESCRIPTION**

FIG. 1 is a top, front, and right side perspective view of a shower caddy showing my new design;  
FIG. 2 is a top, front, and left side perspective view thereof;  
FIG. 3 is a front elevational view thereof;  
FIG. 4 is a rear elevational view thereof;  
FIG. 5 is a right side elevational view thereof, the left side being a mirror image of that shown;  
FIG. 6 is a top plan view thereof, and,  
FIG. 7 is a bottom plan view thereof.

The broken-line disclosure of suction cups and suction cup holders in the views represent environmental matter which form no part of the claimed design.

**1 Claim, 6 Drawing Sheets**



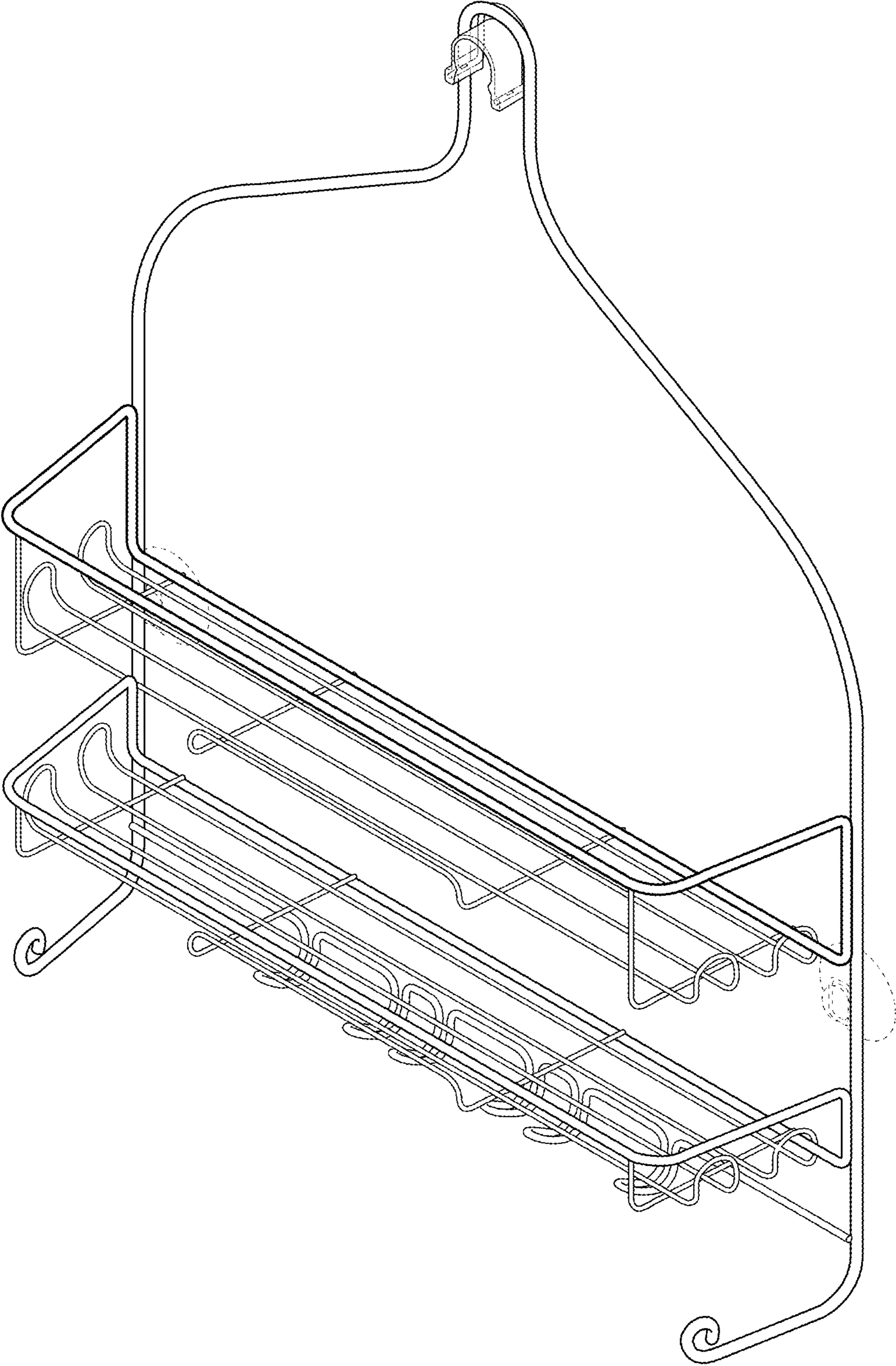


FIG. 1

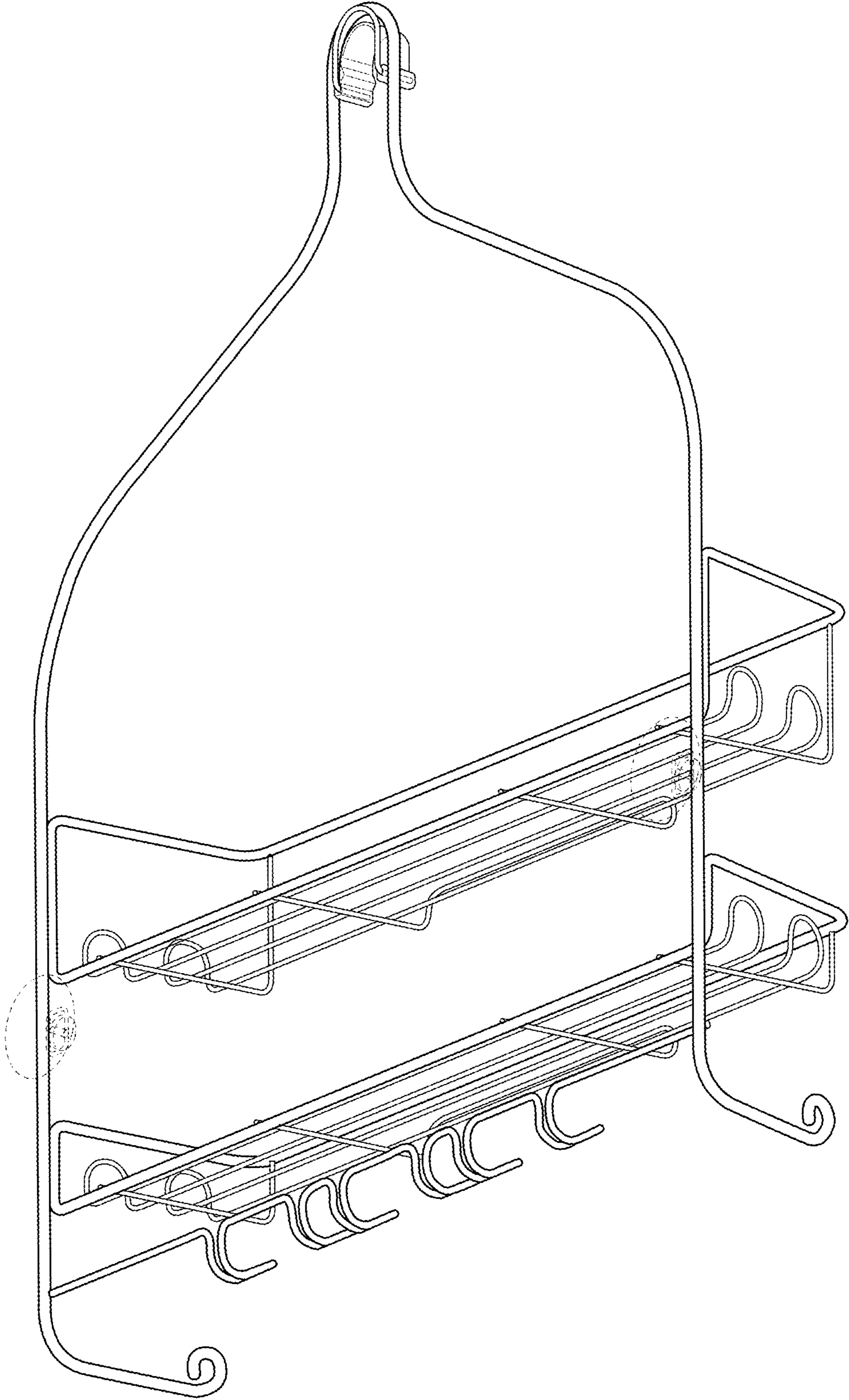


FIG. 2

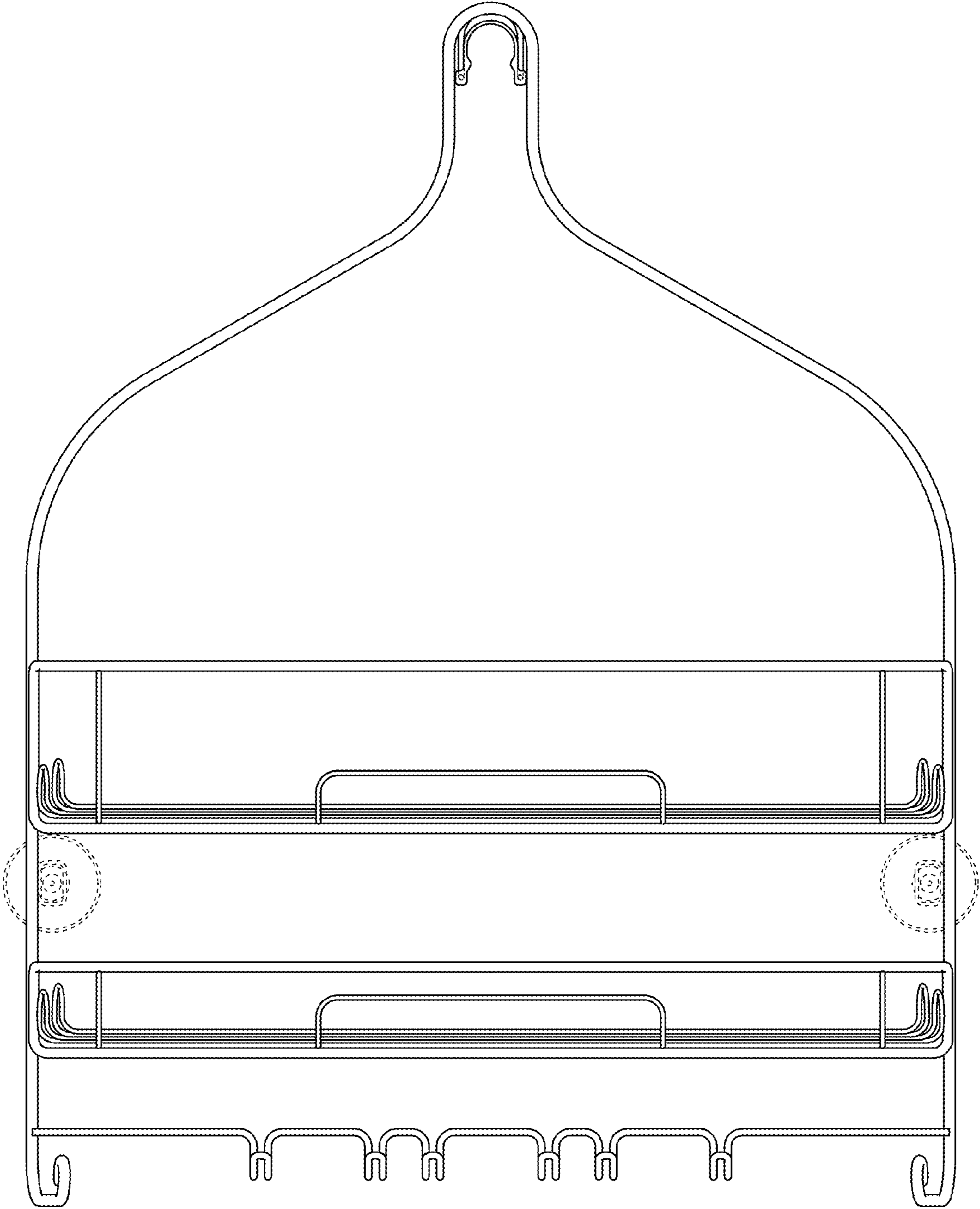


FIG. 3

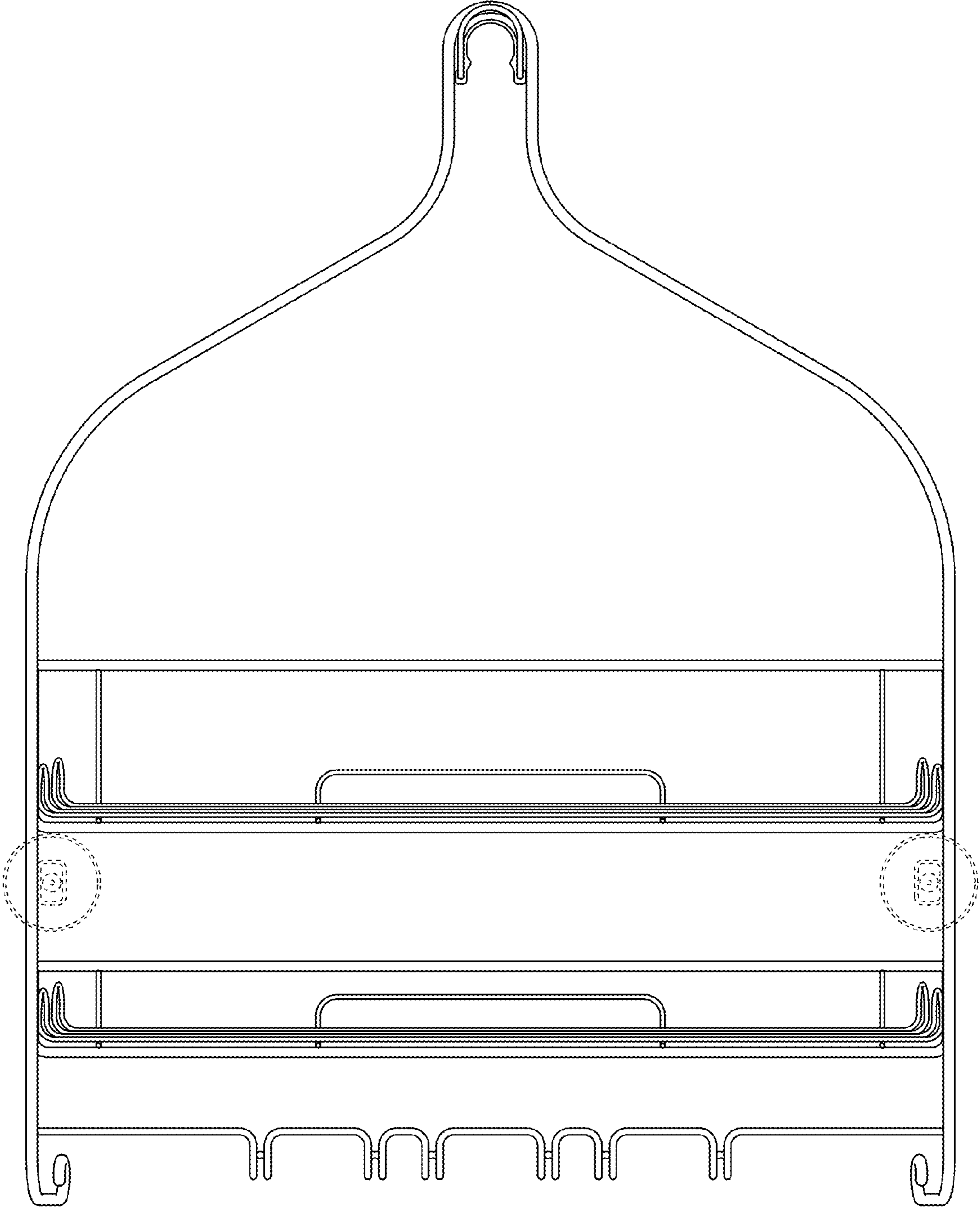


FIG. 4

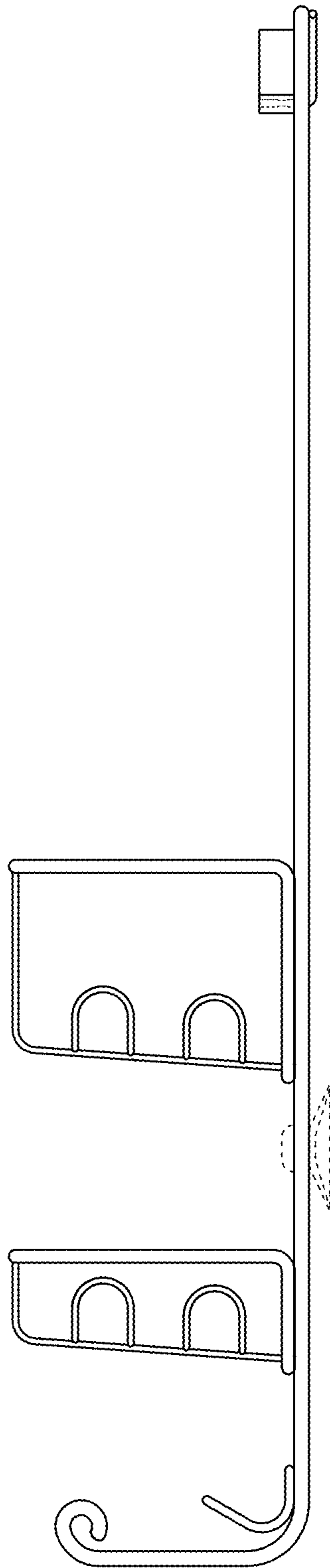


FIG. 5

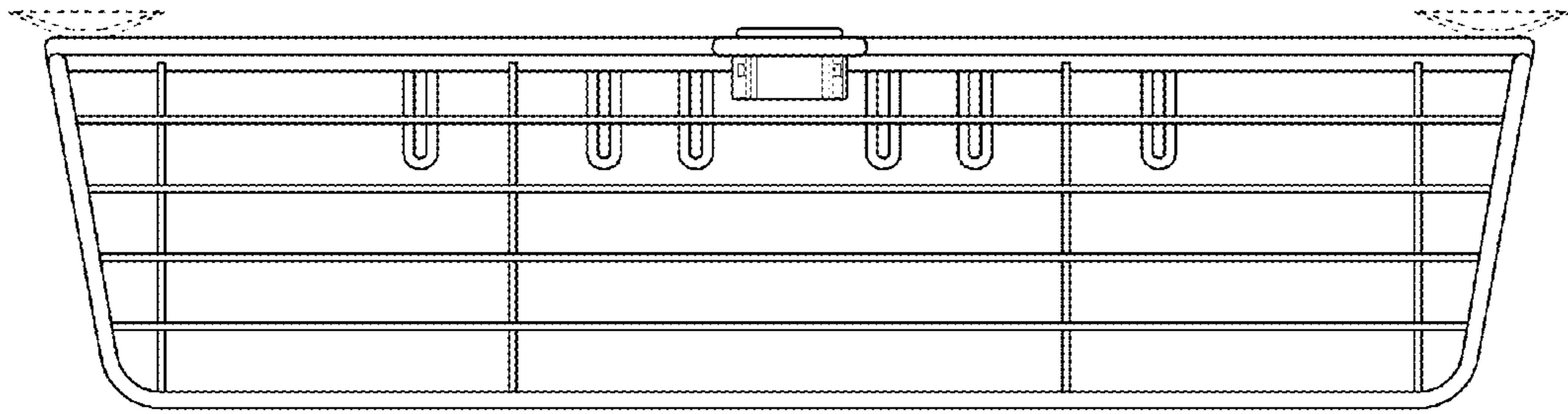


FIG. 6

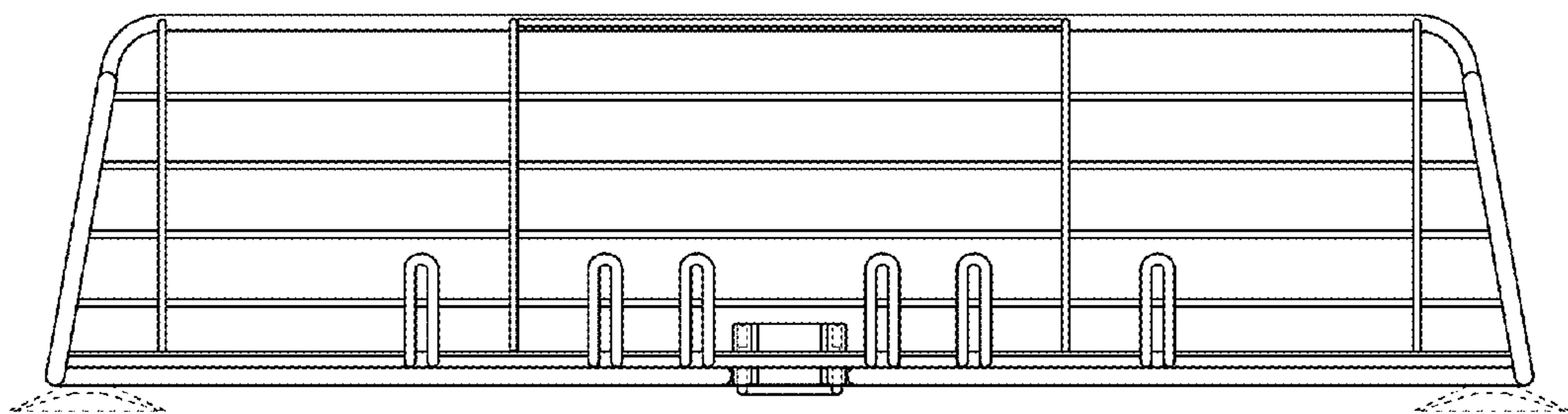


FIG. 7