



US00D694547S

(12) **United States Design Patent**
Cute

(10) **Patent No.:** **US D694,547 S**

(45) **Date of Patent:** **** Dec. 3, 2013**

- (54) **DECORATIVE POT HOLDER**
- (71) Applicant: **Sun Hill Industries**, Fairfield, CA (US)
- (72) Inventor: **Joseph E. Cute**, Geneva, IL (US)
- (73) Assignee: **Sun Hill Industries, Inc.**, Fairfield, CA (US)

(**) Term: **14 Years**

(21) Appl. No.: **29/433,402**

(22) Filed: **Sep. 28, 2012**

(51) **LOC (9) Cl.** **11-02**

(52) **U.S. Cl.**
USPC **D6/403**

(58) **Field of Classification Search**
USPC D6/403–405, 556–558; D8/1;
D11/143–156, 164; D19/77, 80, 81,
D19/84; D25/100; D26/9–11, 16, 19;
D34/1, 2, 4–6; D99/5, 19; 47/17, 32.4,
47/32.5, 33, 39, 41.01, 41.1, 41.11–41.15,
47/44–47, 65, 65.5, 65.9, 66.1, 66.6, 66.7,
47/67–71

See application file for complete search history.

(56) **References Cited**

U.S. PATENT DOCUMENTS

D36,086	S	*	9/1902	Olsen	D6/403
1,484,403	A	*	2/1924	Miller	47/67
2,001,646	A	*	5/1935	Abitsch	D11/143
D204,006	S	*	3/1966	Reed	D6/403
D250,686	S	*	1/1979	Ashcraft	D11/143
D497,494	S	*	10/2004	Tseng	D6/403
D545,079	S	*	6/2007	Peterson	D6/403
D559,008	S	*	1/2008	Knight	D6/403
D579,230	S	*	10/2008	Denham	D6/405

D589,720	S	*	4/2009	Cute	D6/404
D602,283	S	*	10/2009	Glenn	D6/403
D632,505	S	*	2/2011	Yeh	D6/403
D648,957	S	*	11/2011	Cute	D6/405
D653,473	S	*	2/2012	Cute	D6/404
D655,940	S	*	3/2012	McRae	D6/405
D657,973	S	*	4/2012	Cute	D6/405
D658,906	S	*	5/2012	Cute	D6/403

* cited by examiner

Primary Examiner — Garth Rademaker

(74) *Attorney, Agent, or Firm* — Riverside Law LLP

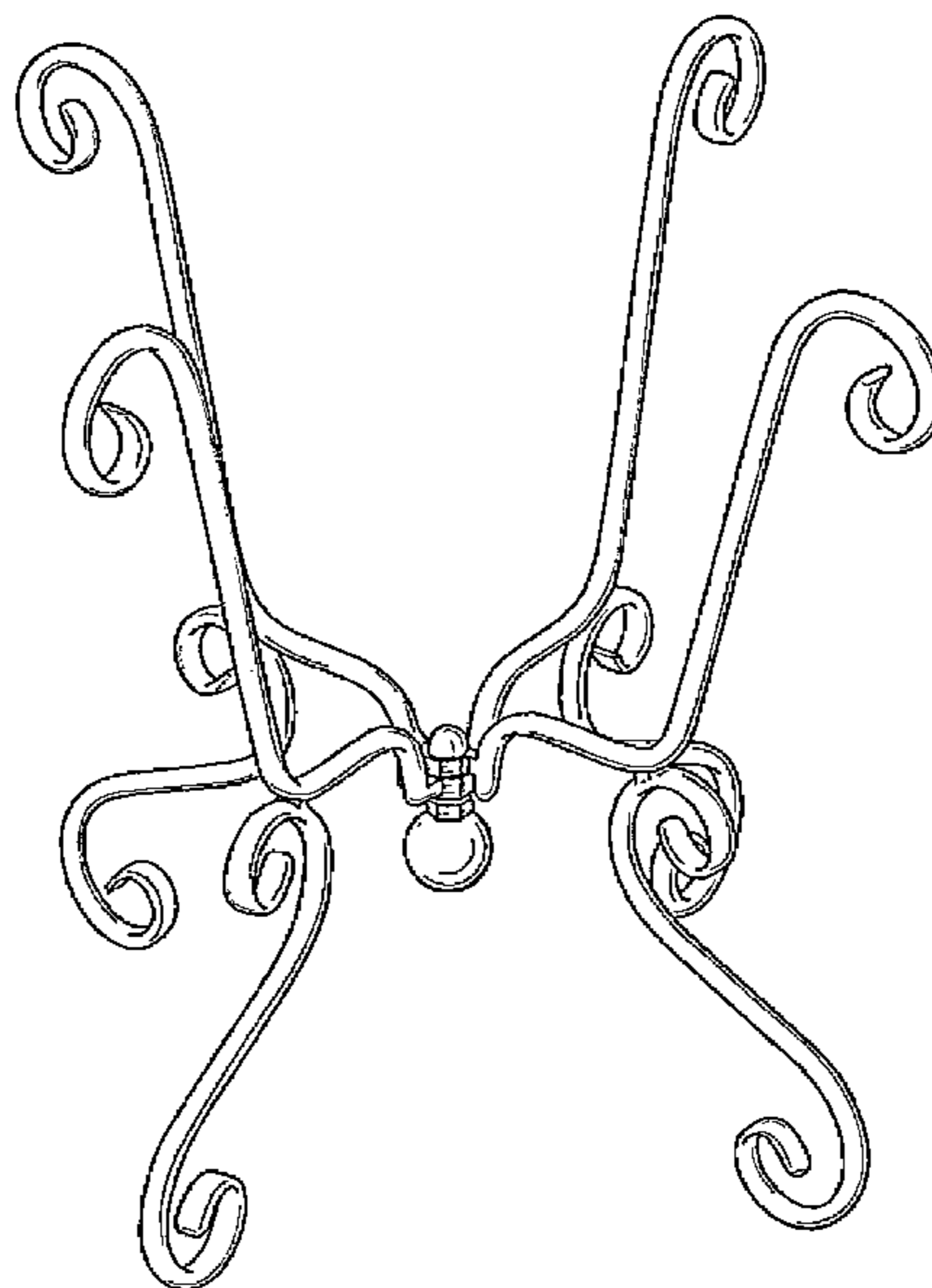
(57) **CLAIM**

I claim the ornamental design for a decorative pot holder, as shown and described.

DESCRIPTION

FIG. 1 is a perspective view of a decorative pot holder;
 FIG. 2 is a front view thereof;
 FIG. 3 is a rear view thereof;
 FIG. 4 is a right side view thereof;
 FIG. 5 is a left side view thereof;
 FIG. 6 is a top view thereof;
 FIG. 7 is a bottom view thereof;
 FIG. 8 is a perspective view thereof, shown in an environment of use;
 FIG. 9 is a perspective view thereof, shown in a second environment of use;
 FIG. 10 is a right side view thereof, shown in the second environment of use;
 FIG. 11 is a perspective view thereof, shown in a third environment of use; and,
 FIG. 12 is a front view thereof, shown in the third environment of use.
 The broken lines depict environmental subject matter only and form no part of the claimed design.

1 Claim, 19 Drawing Sheets



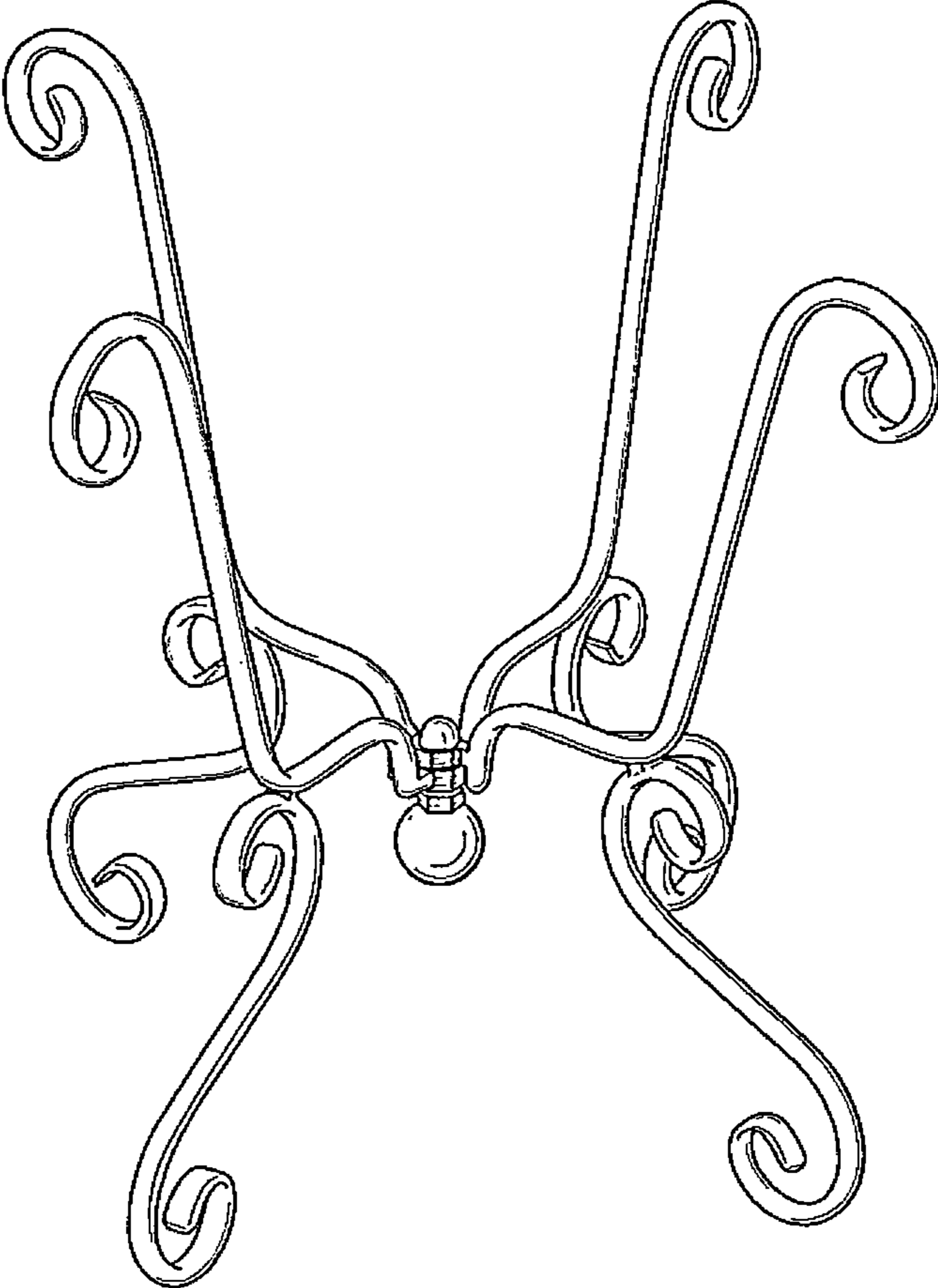


FIG. 1

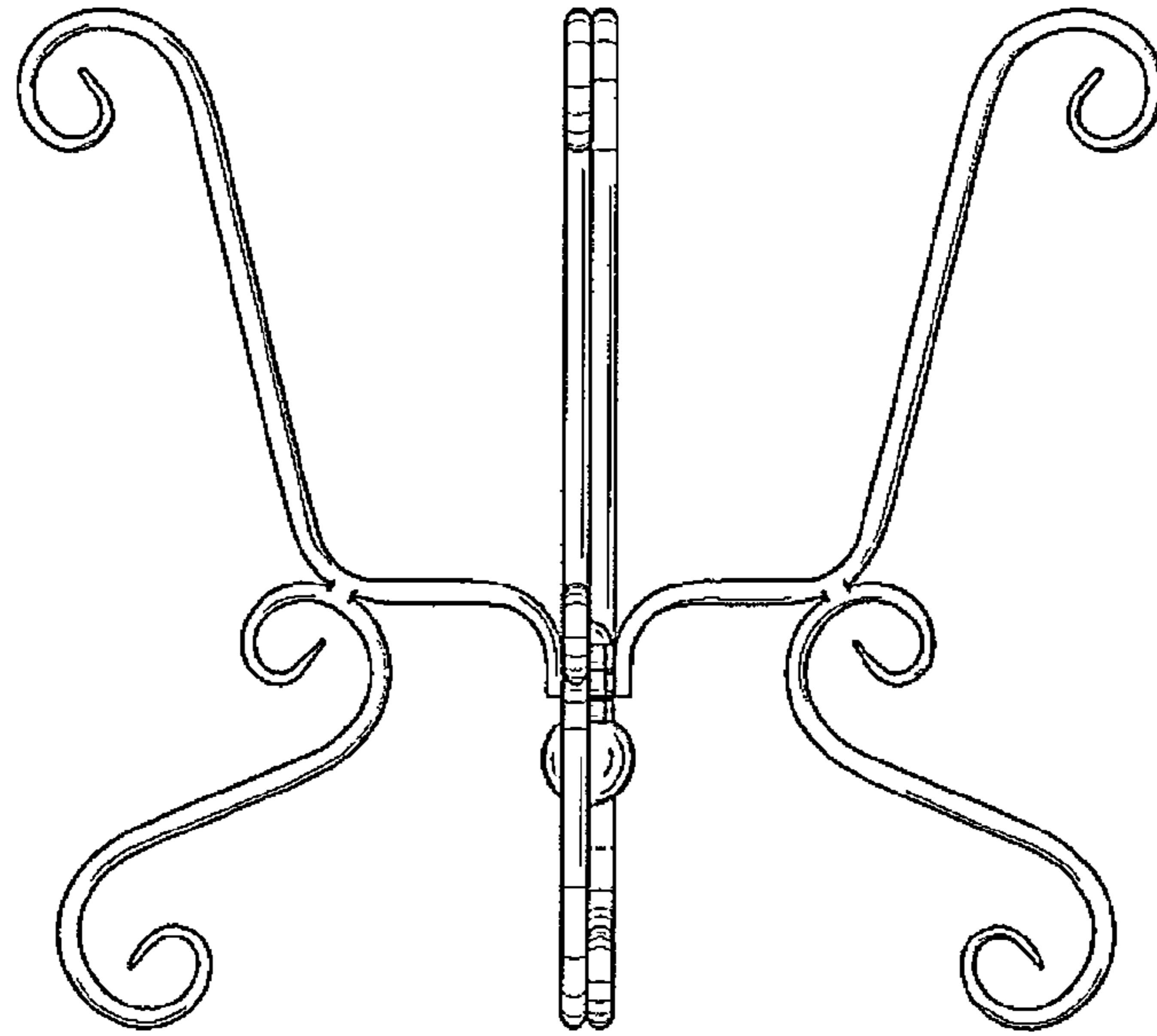


FIG. 2

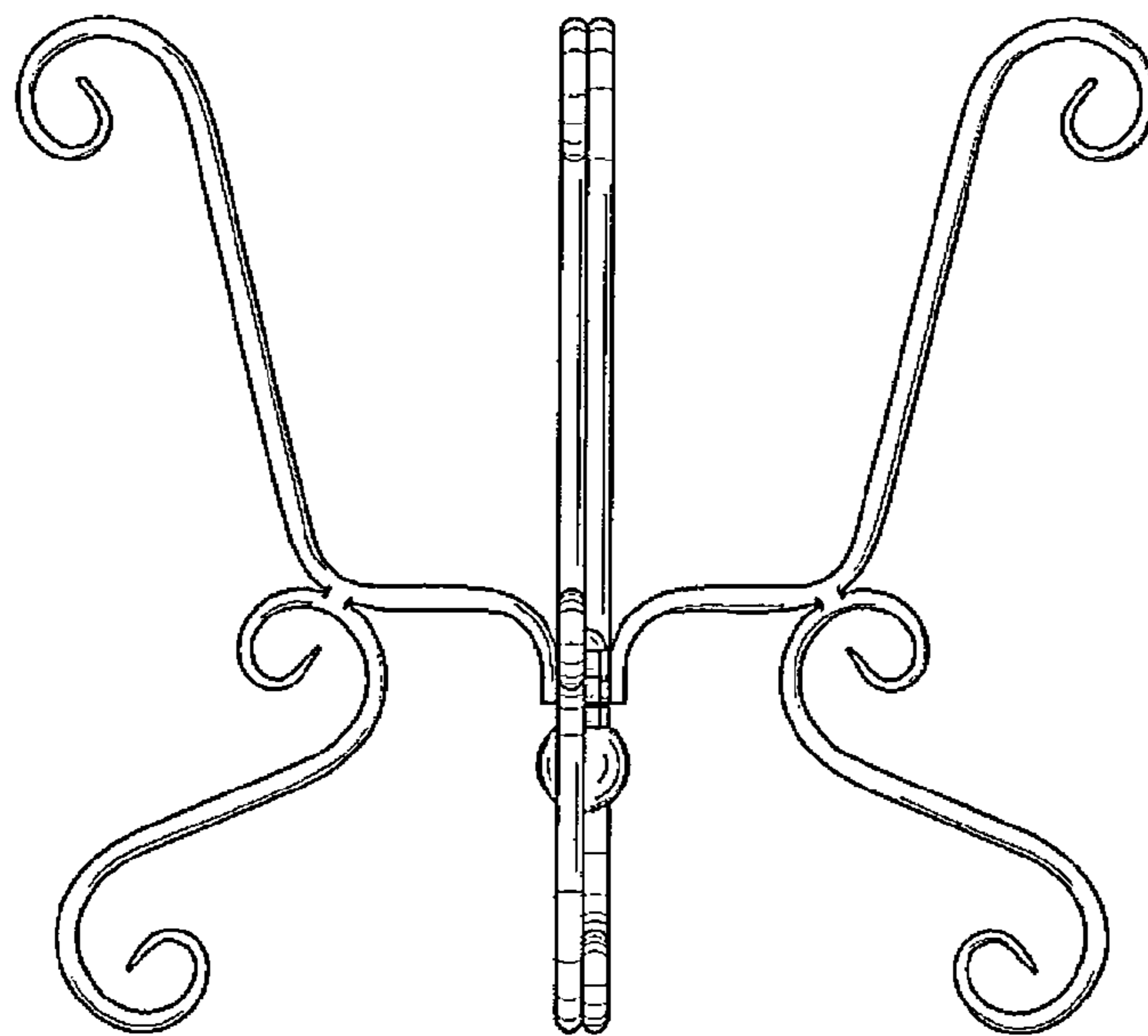


FIG. 3

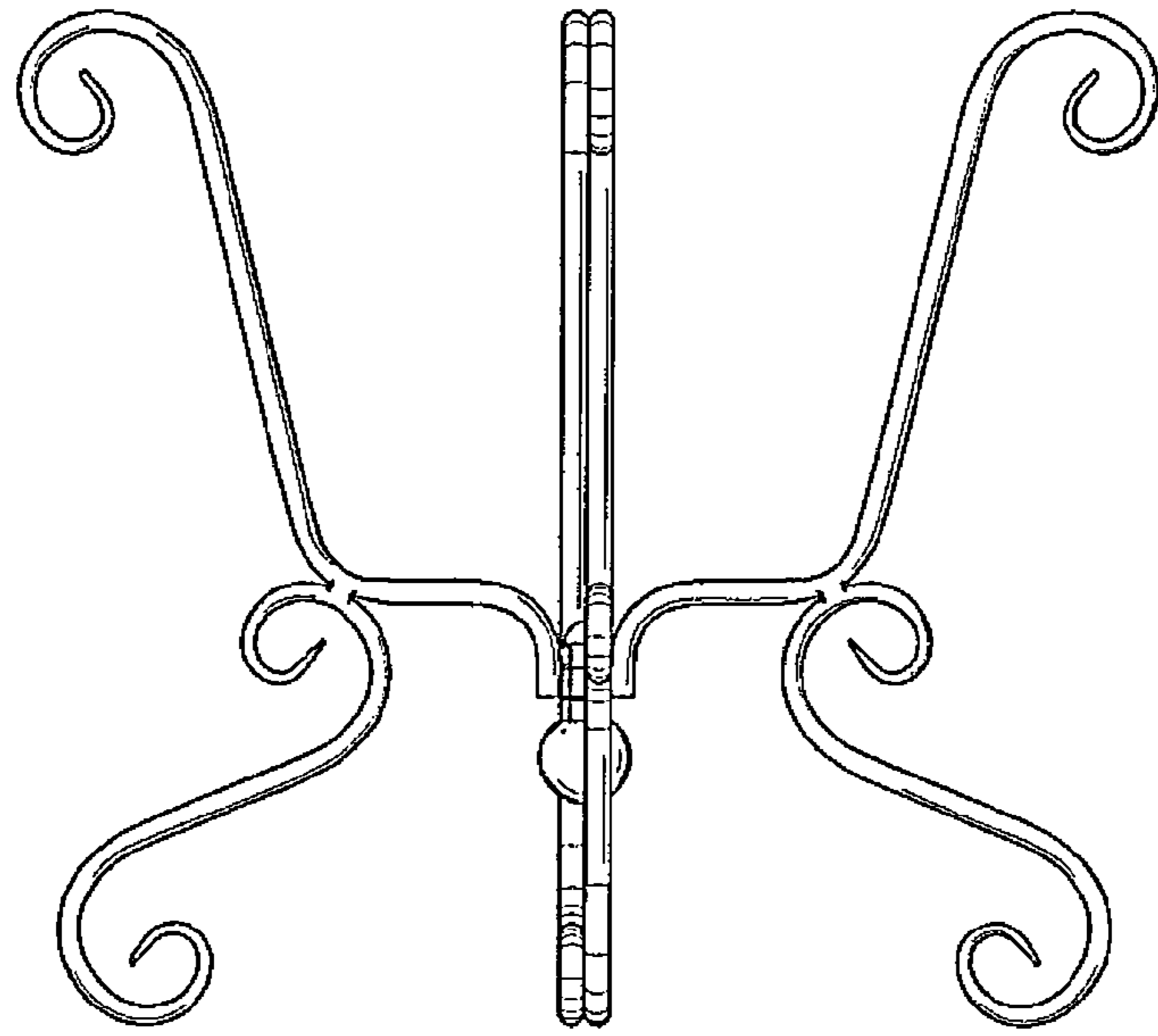


FIG. 4

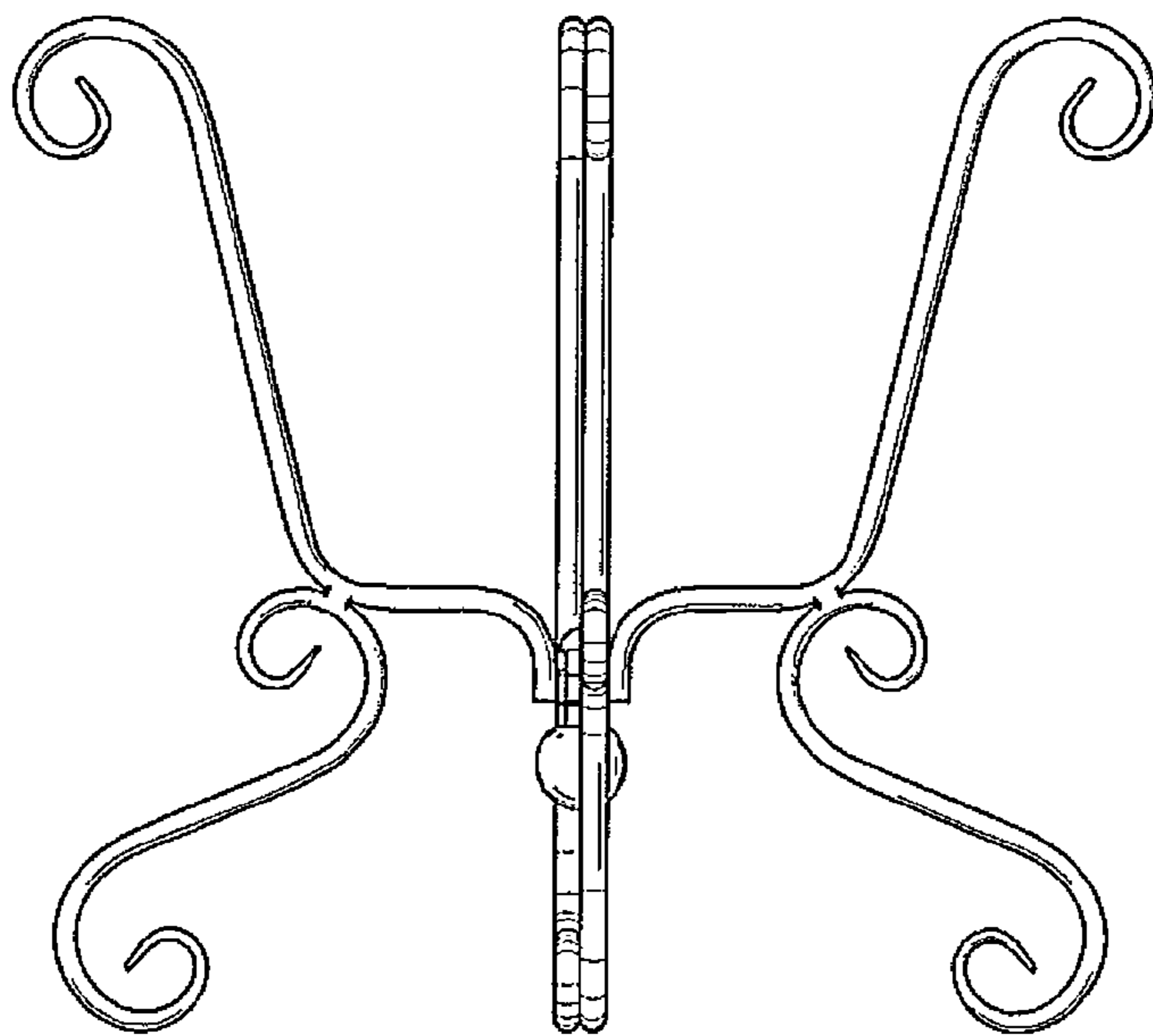


FIG. 5

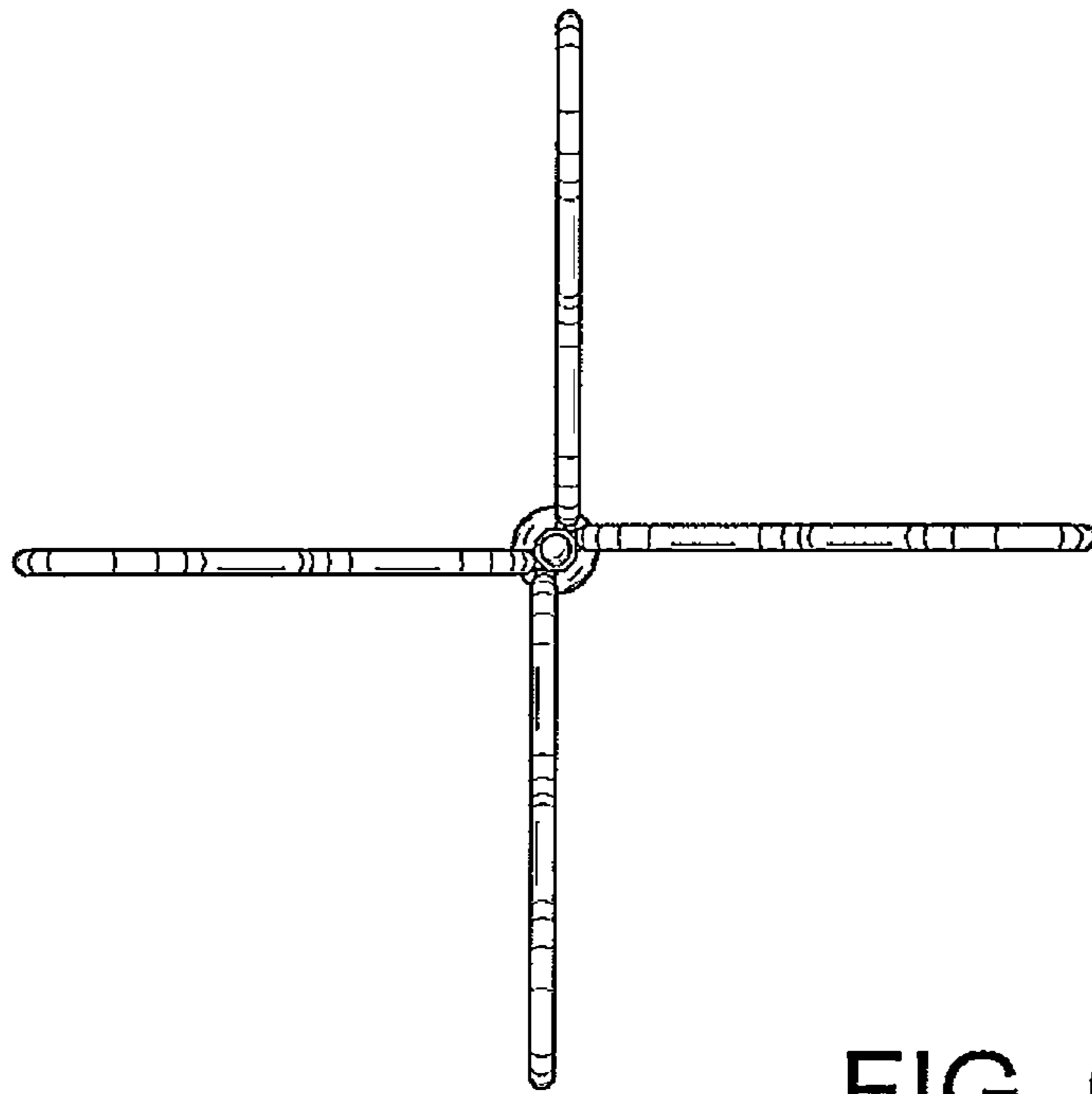


FIG. 6

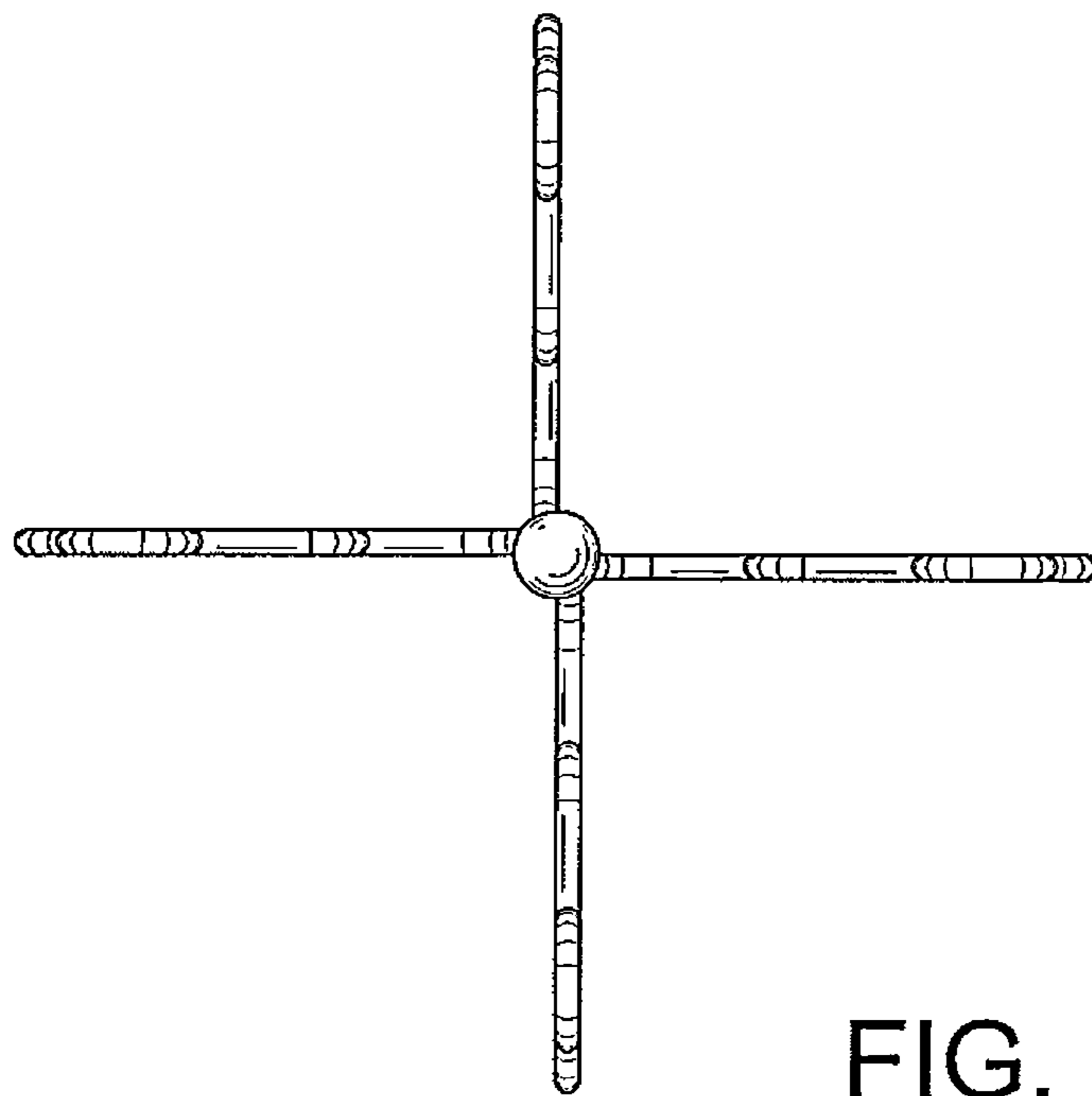


FIG. 7

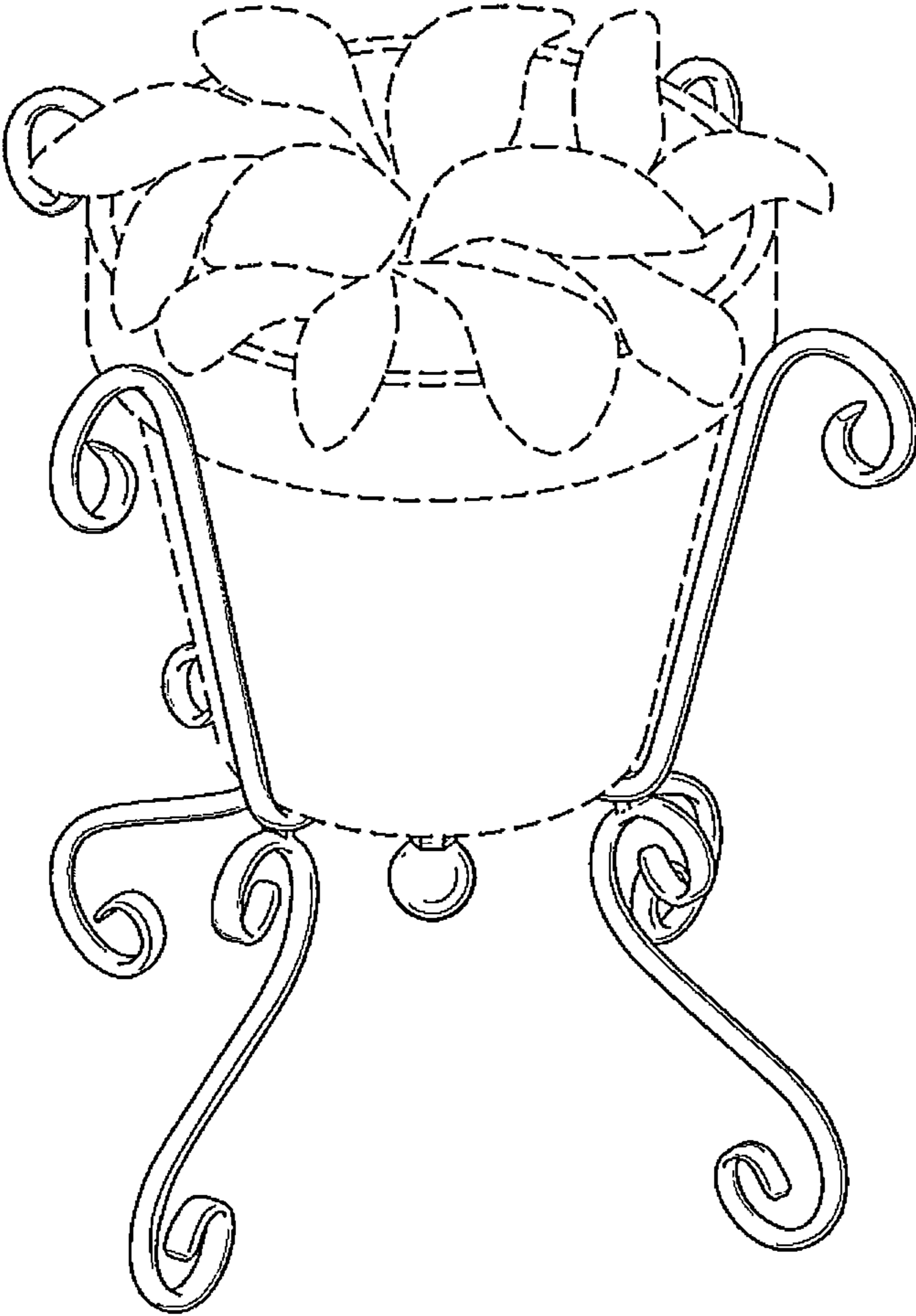


FIG. 8

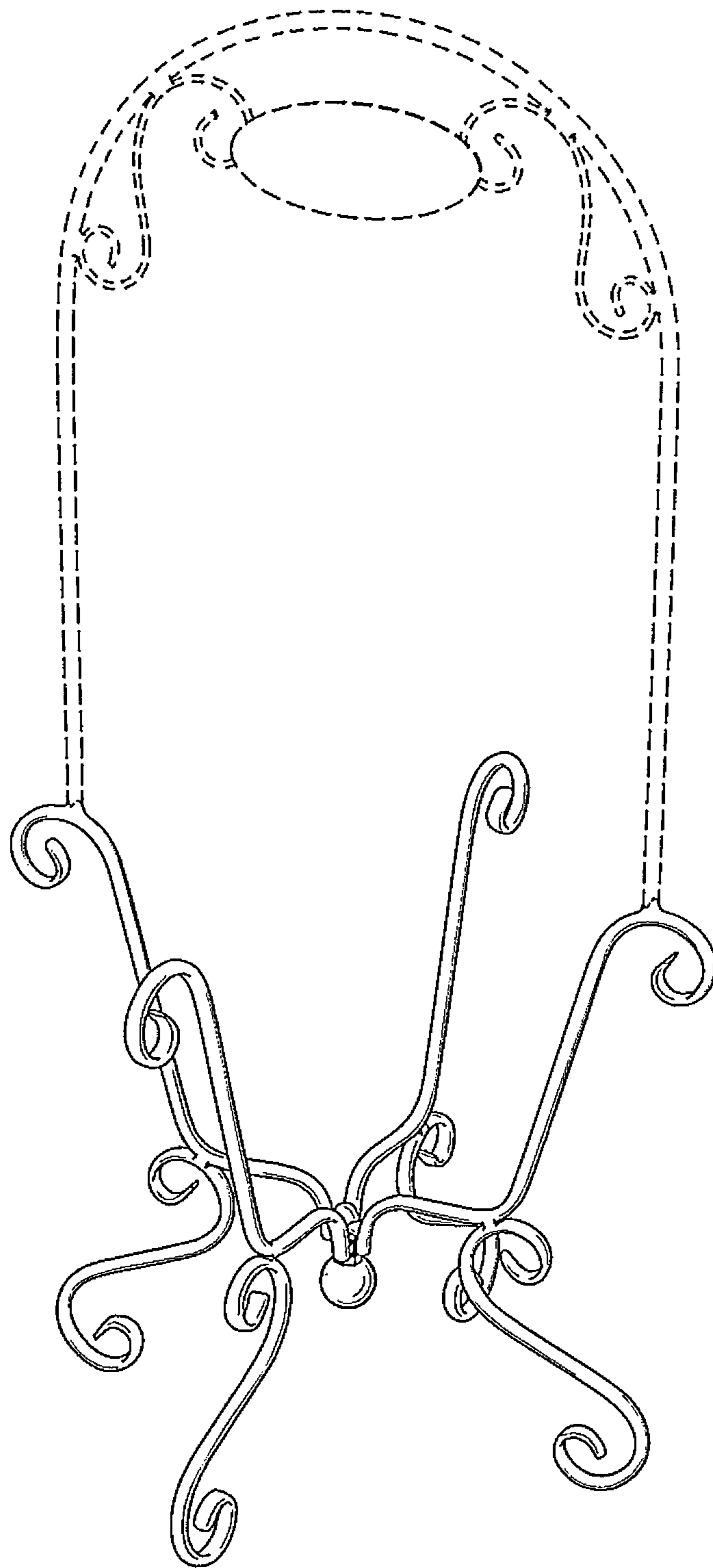


FIG. 9

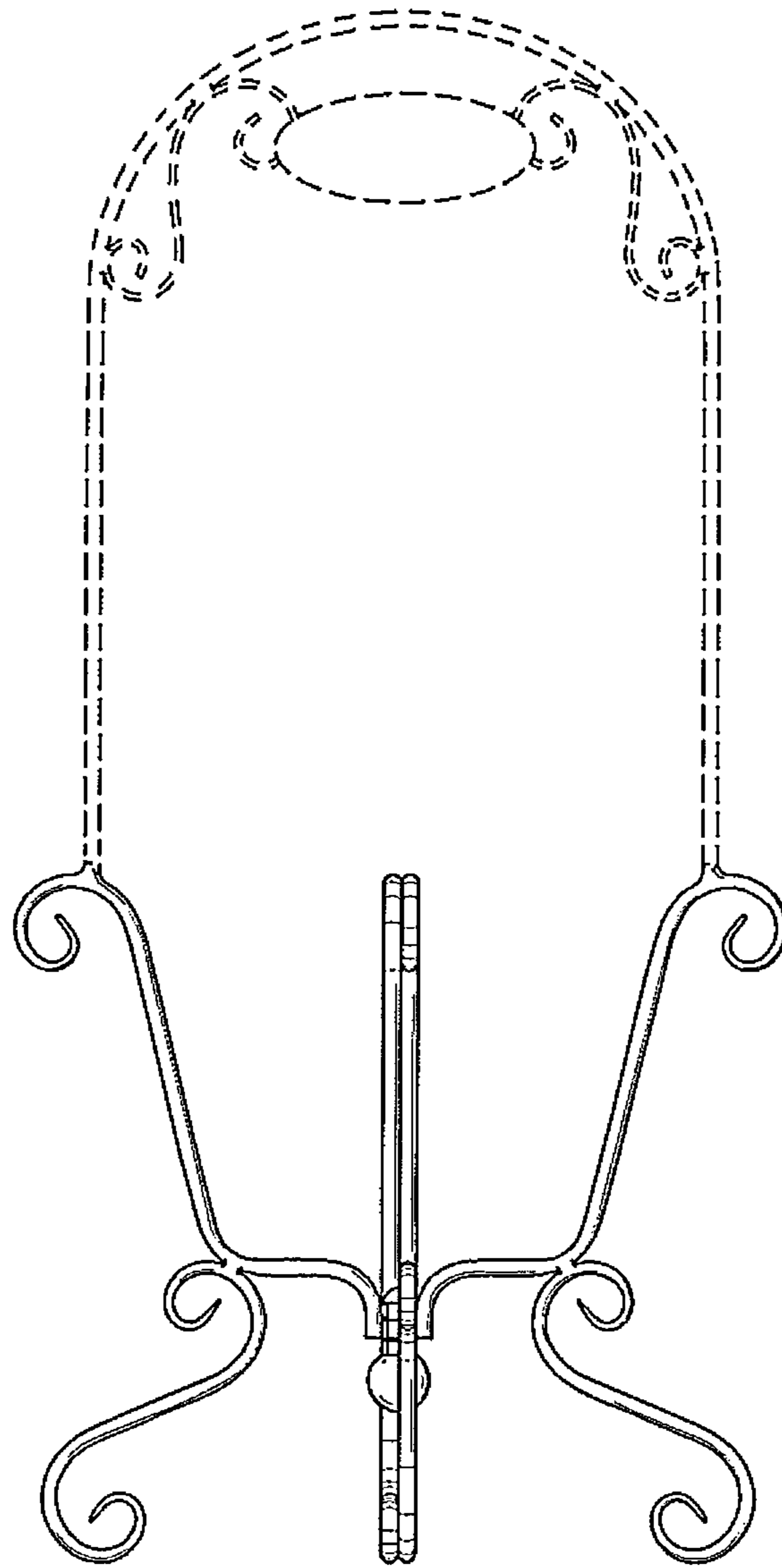


FIG. 10

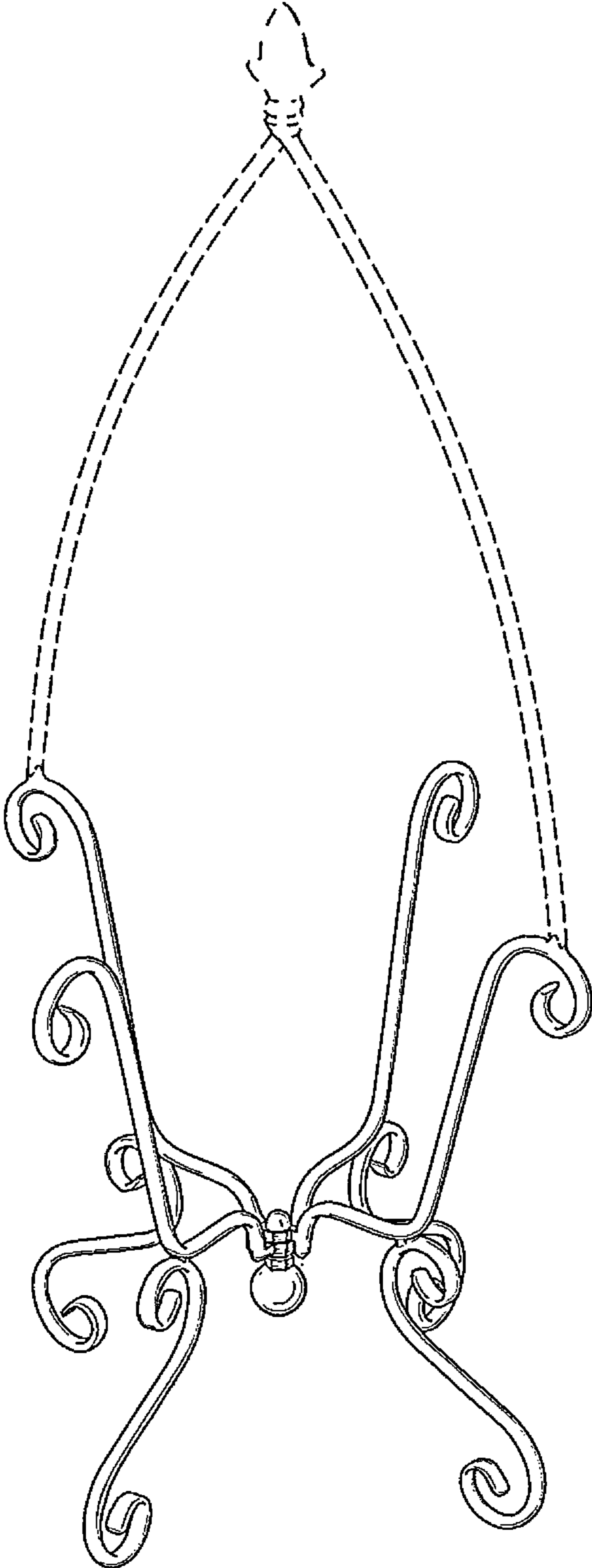


FIG. 11

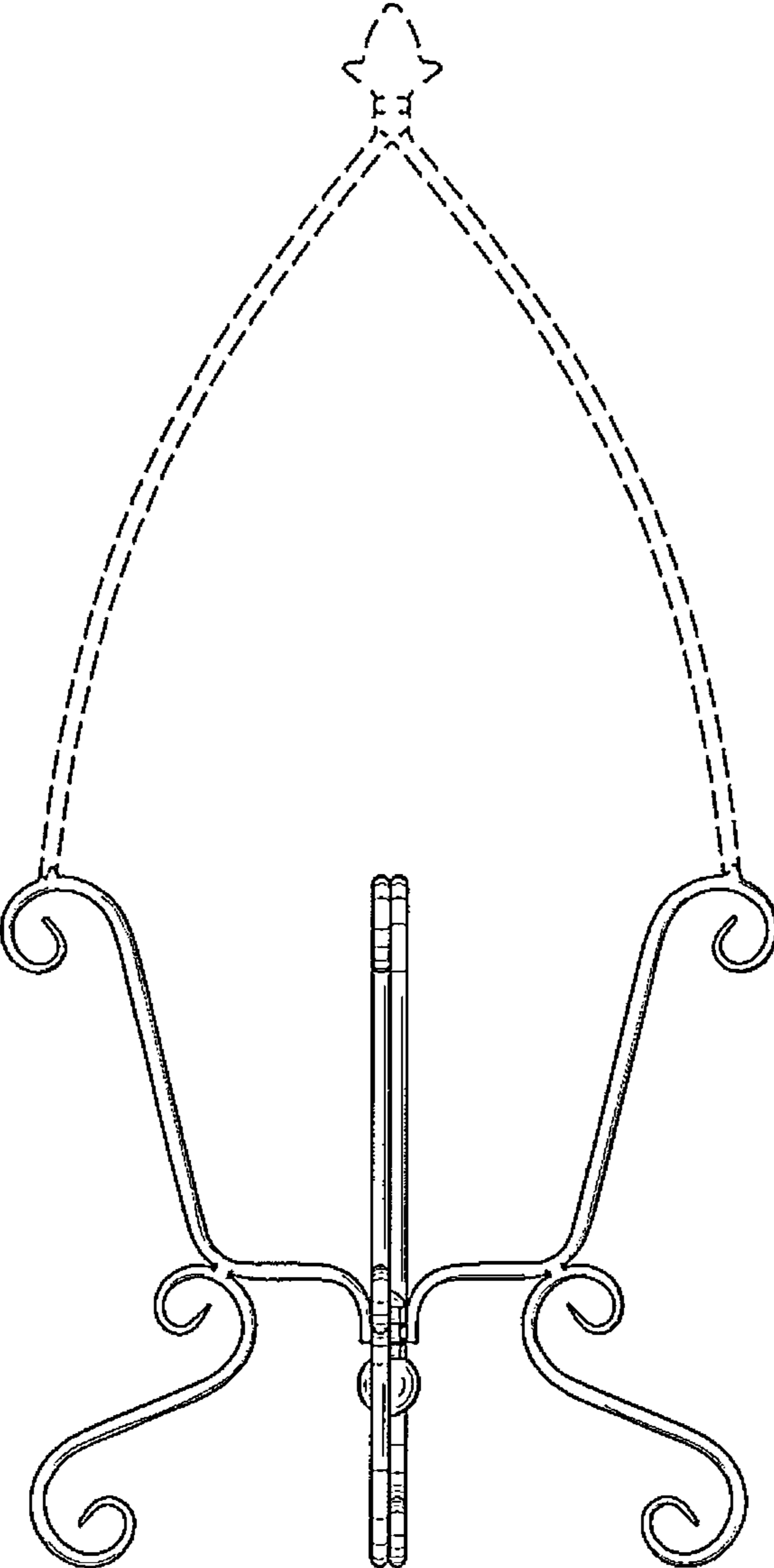


FIG. 12

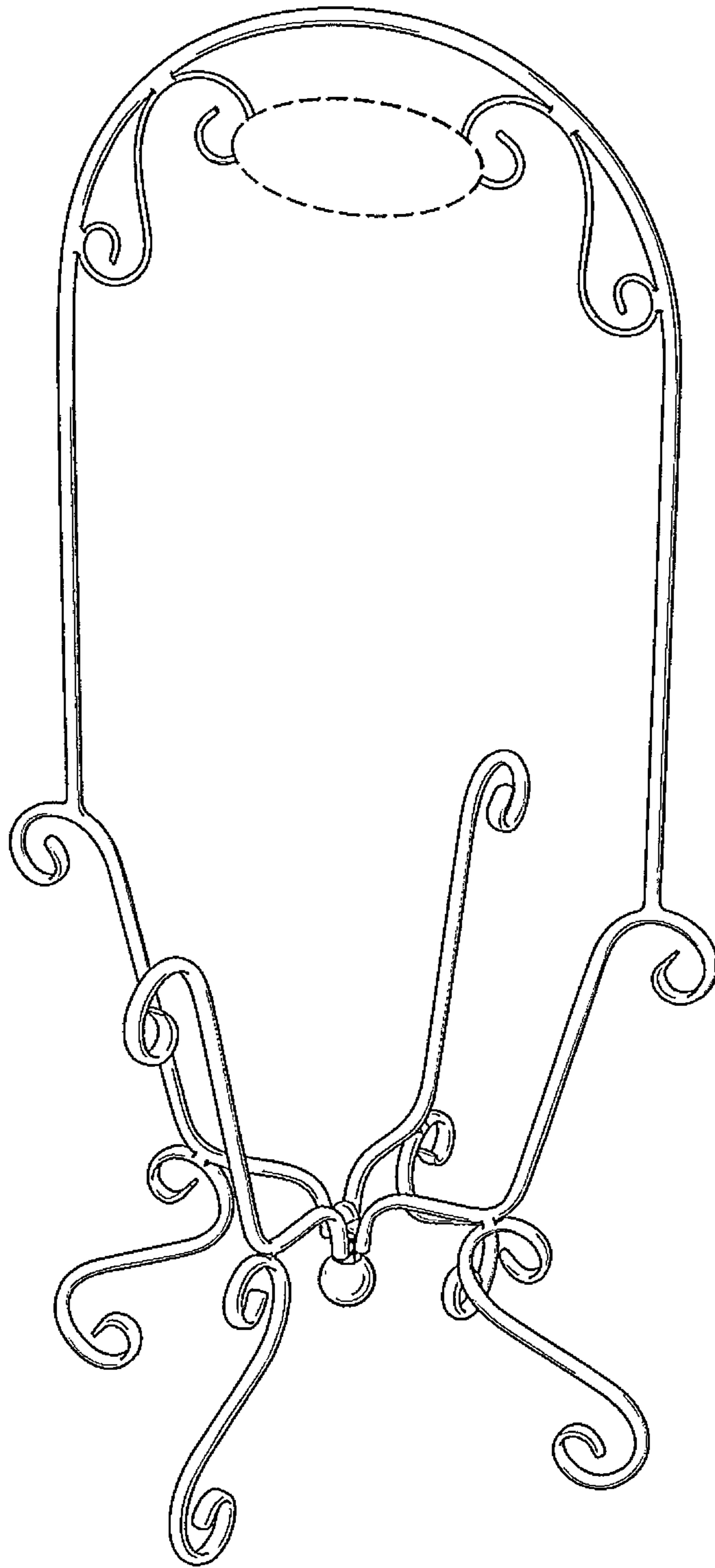


FIG. 13

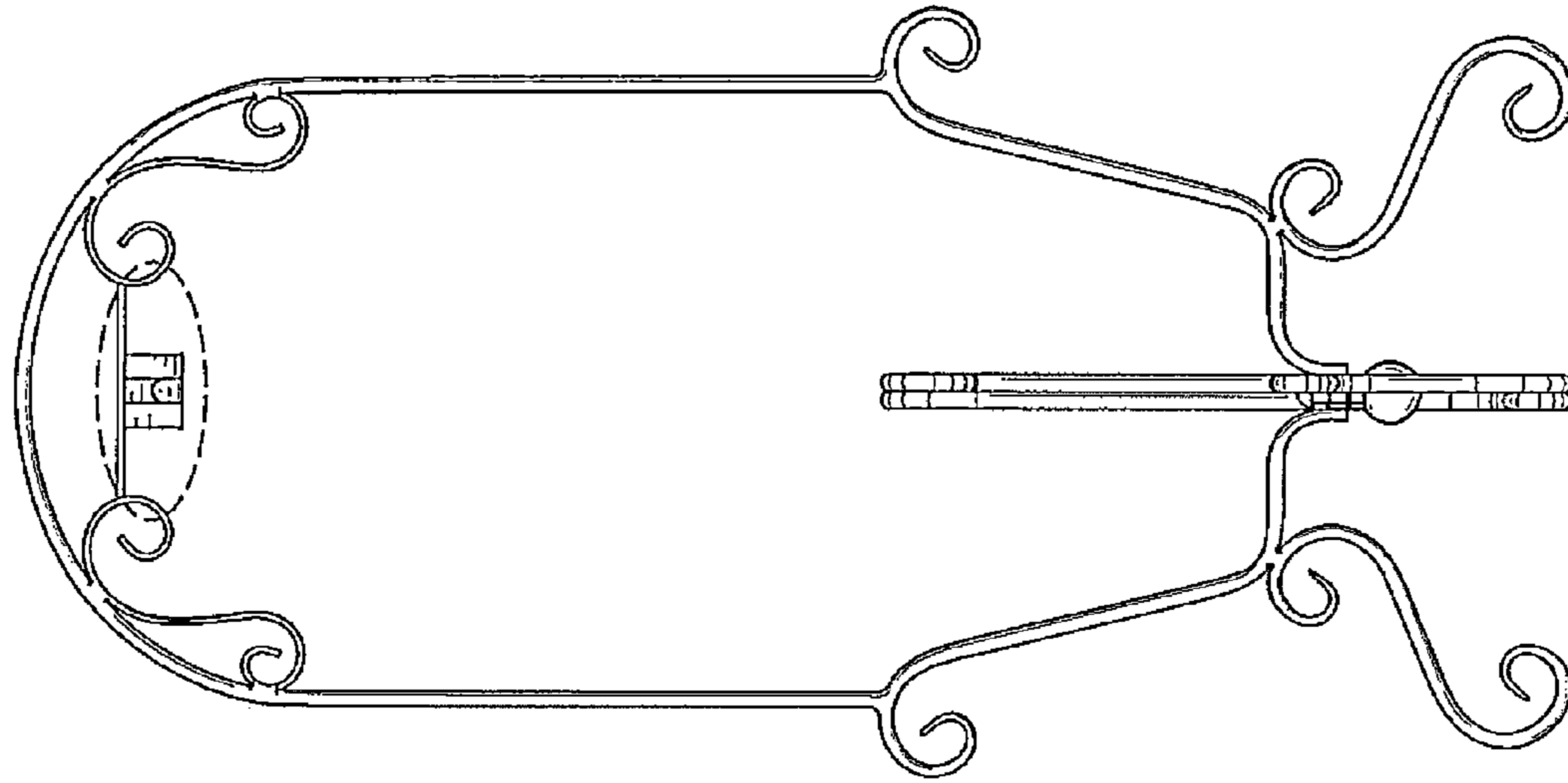


FIG. 14

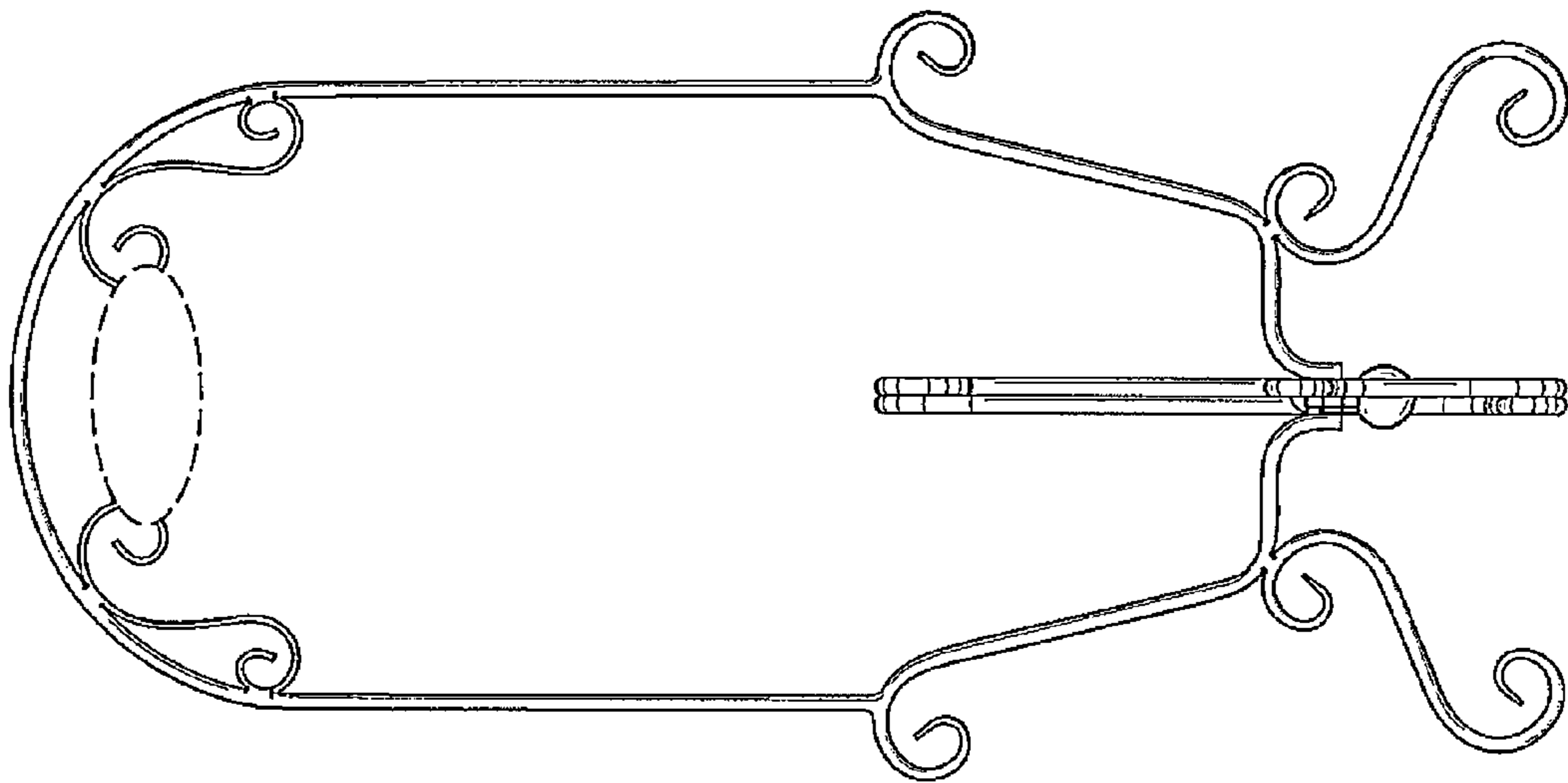


FIG. 15

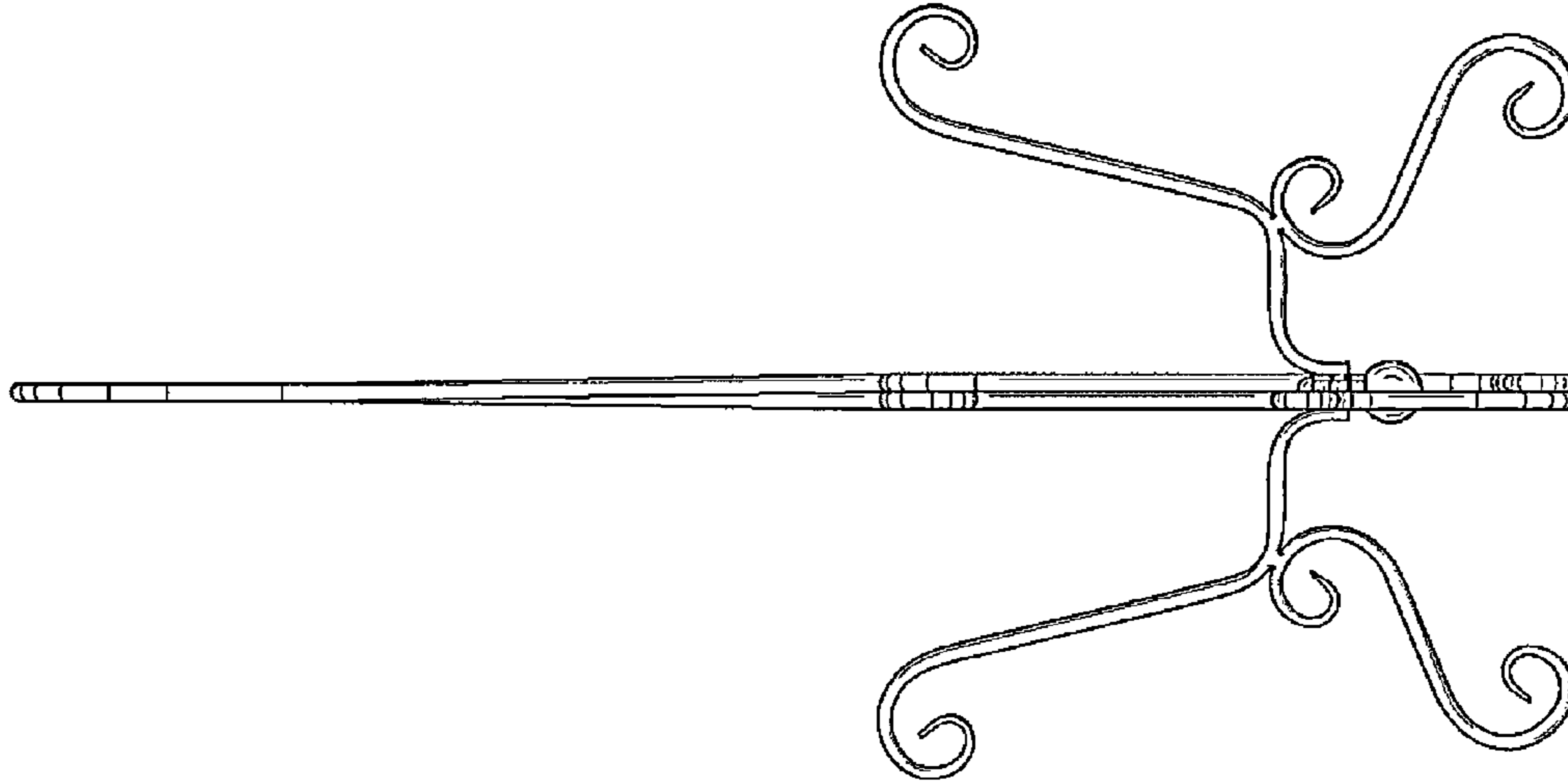


FIG. 16

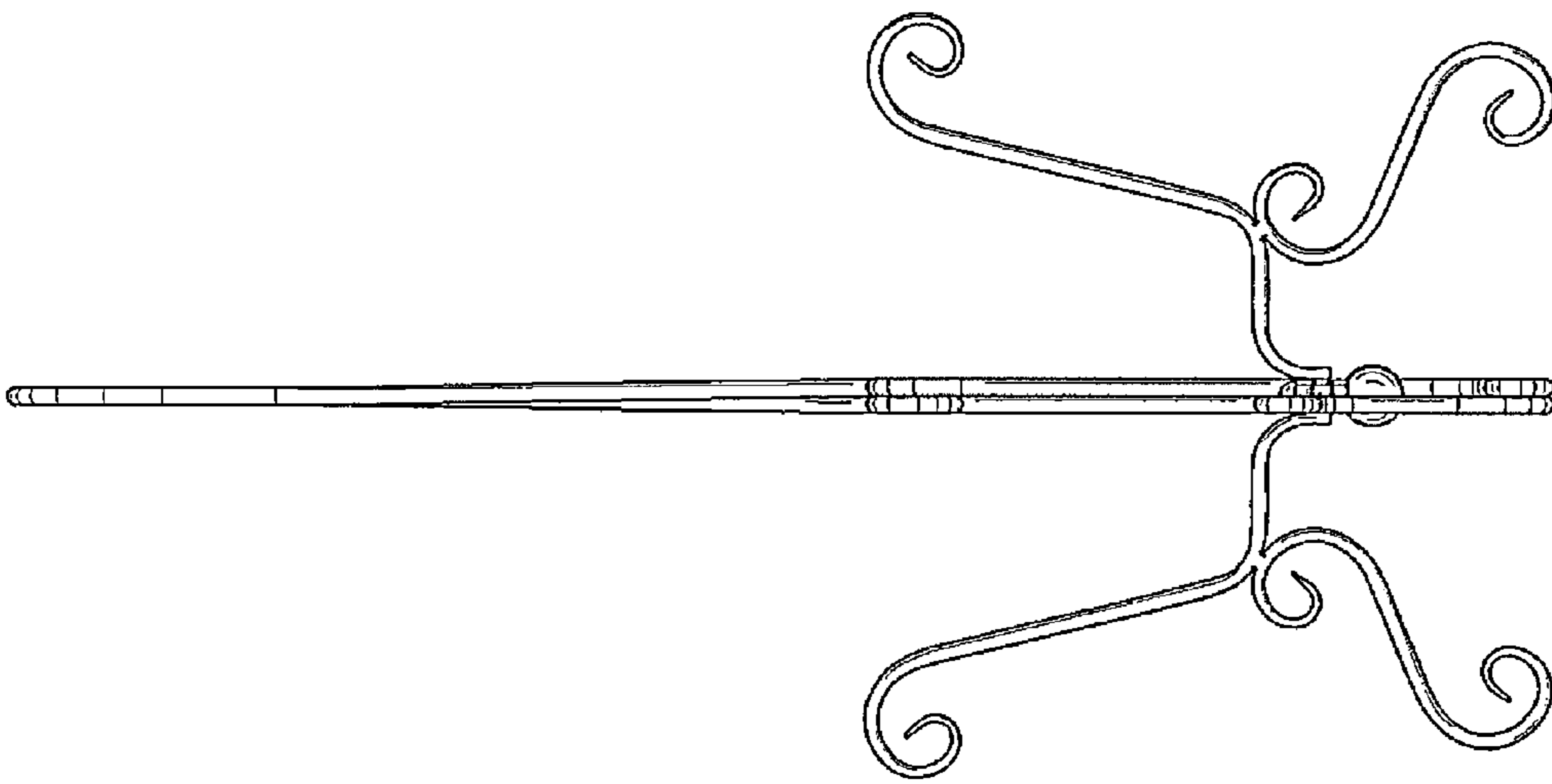


FIG. 17

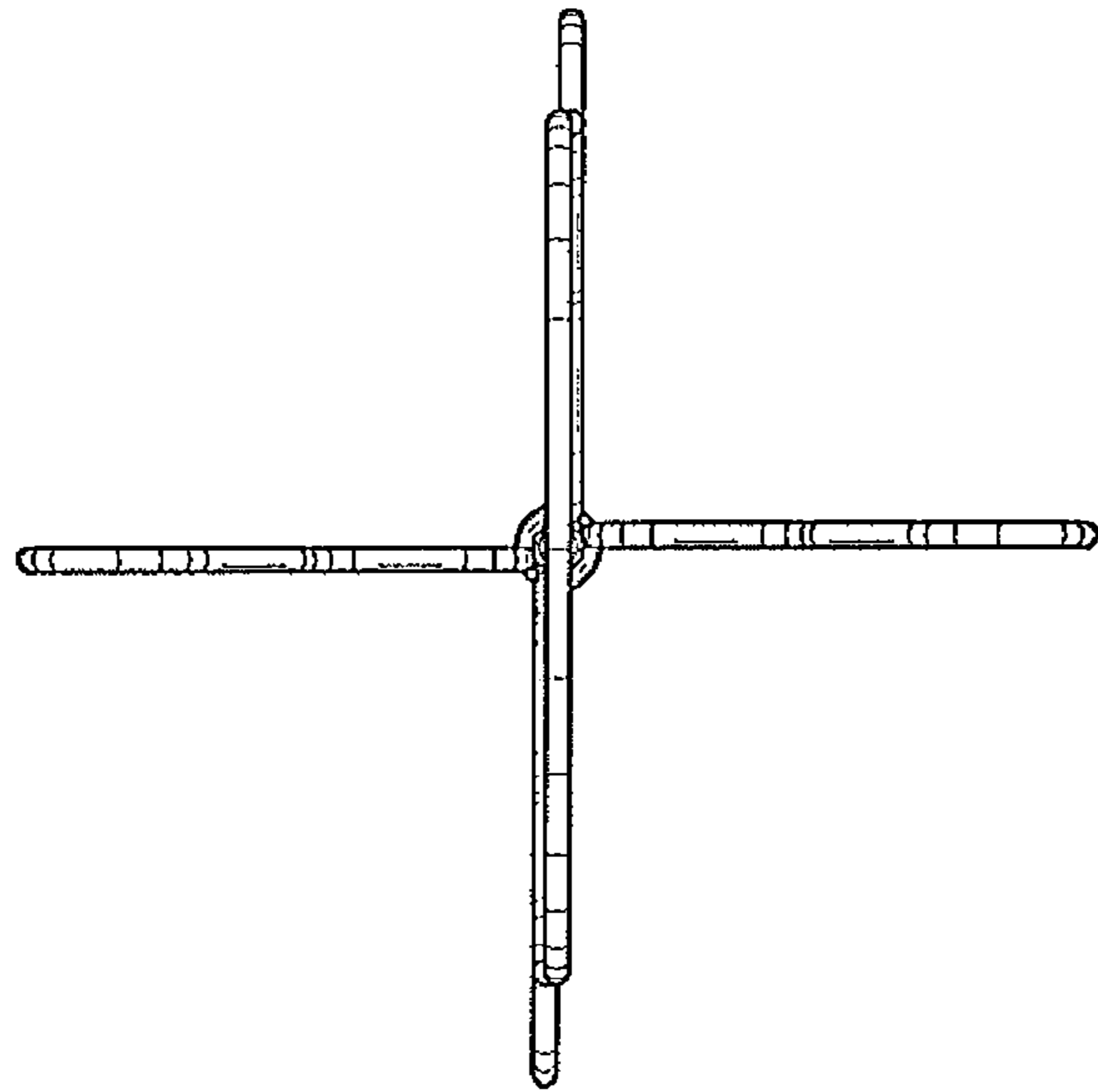


FIG. 18

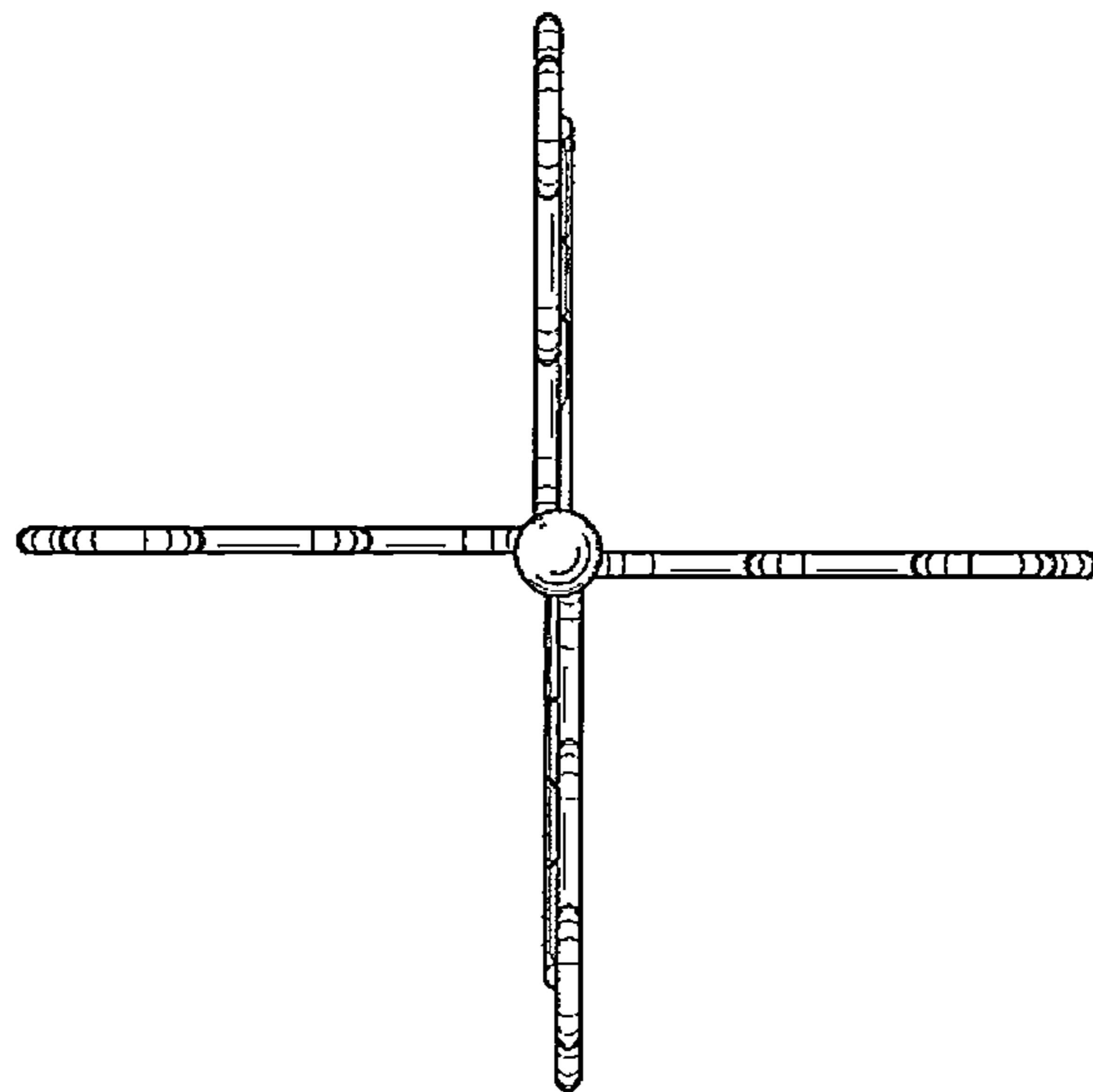


FIG. 19

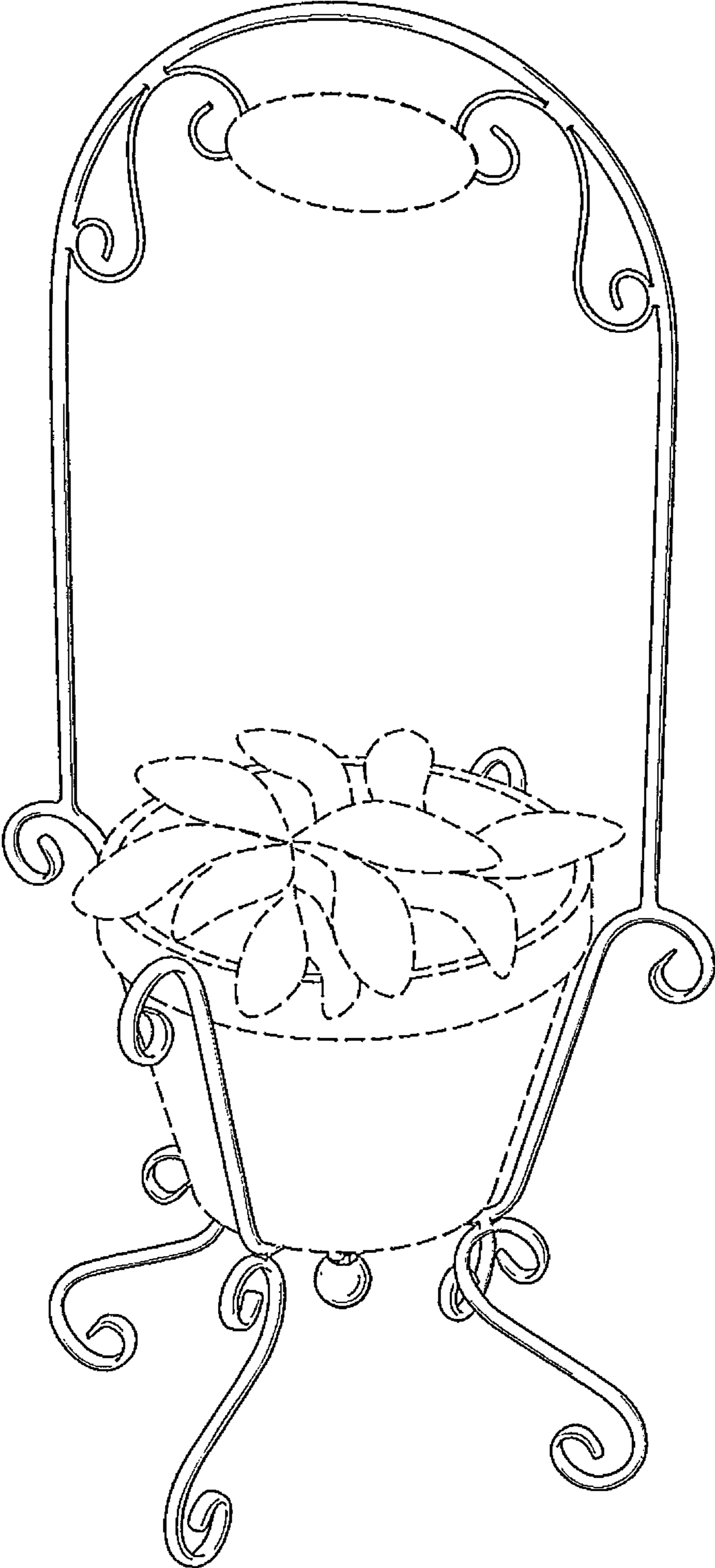


FIG. 20

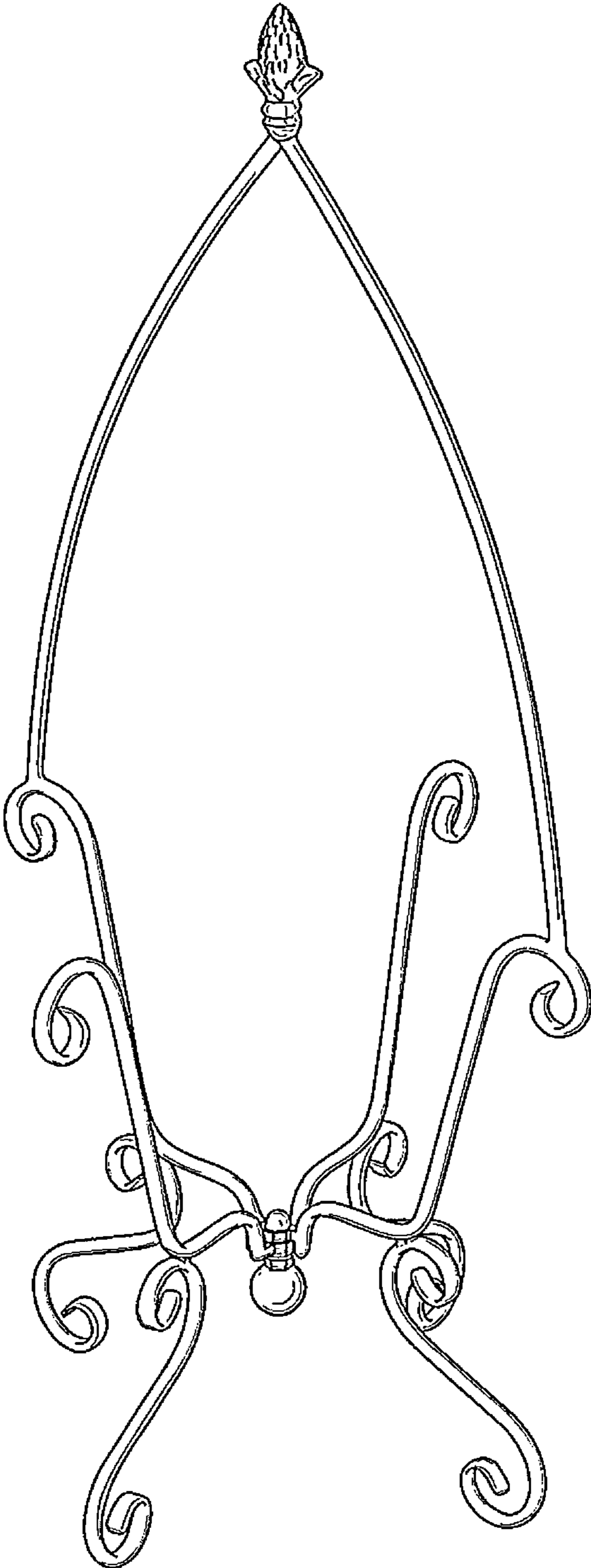


FIG. 21

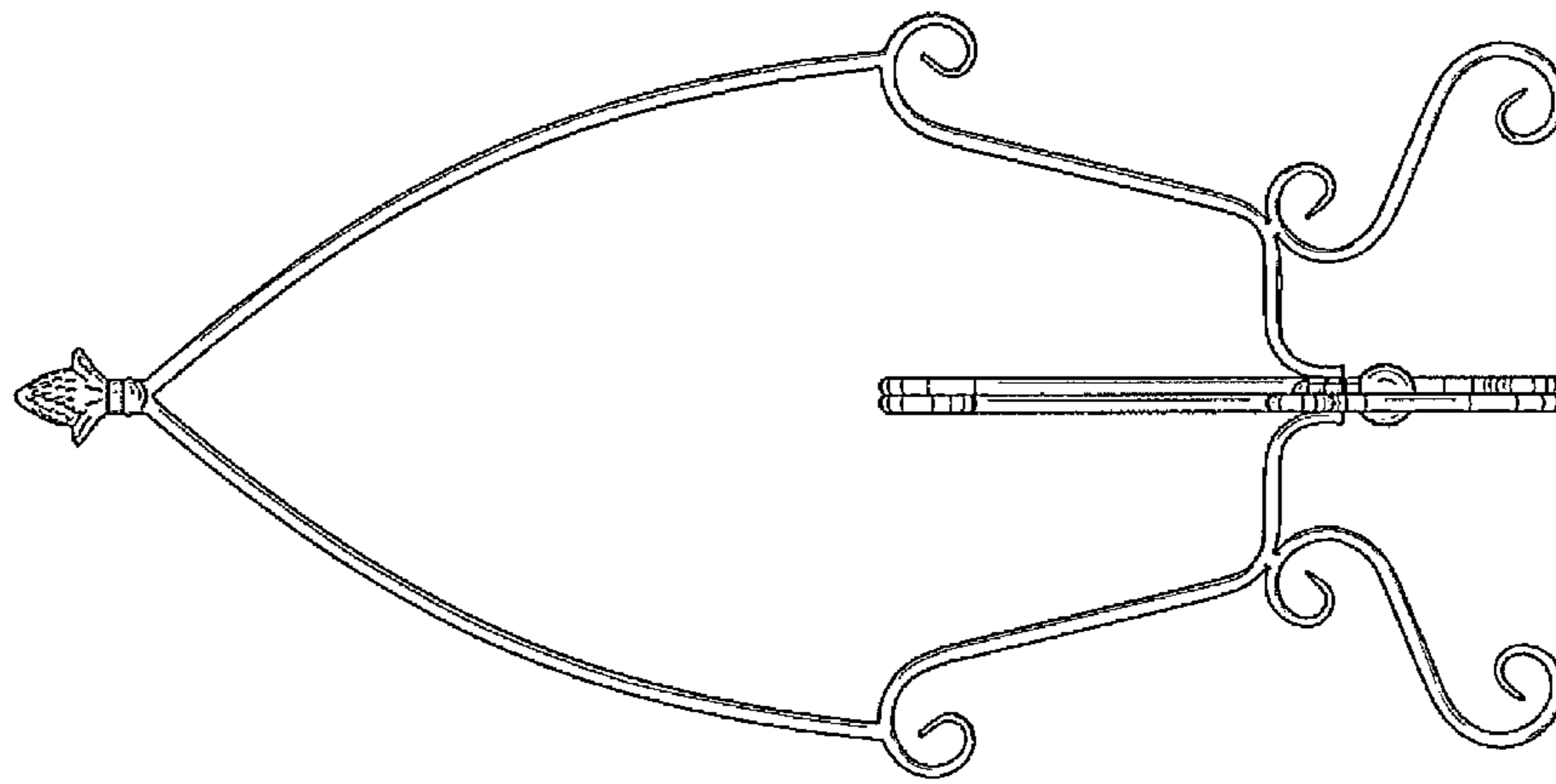


FIG. 22

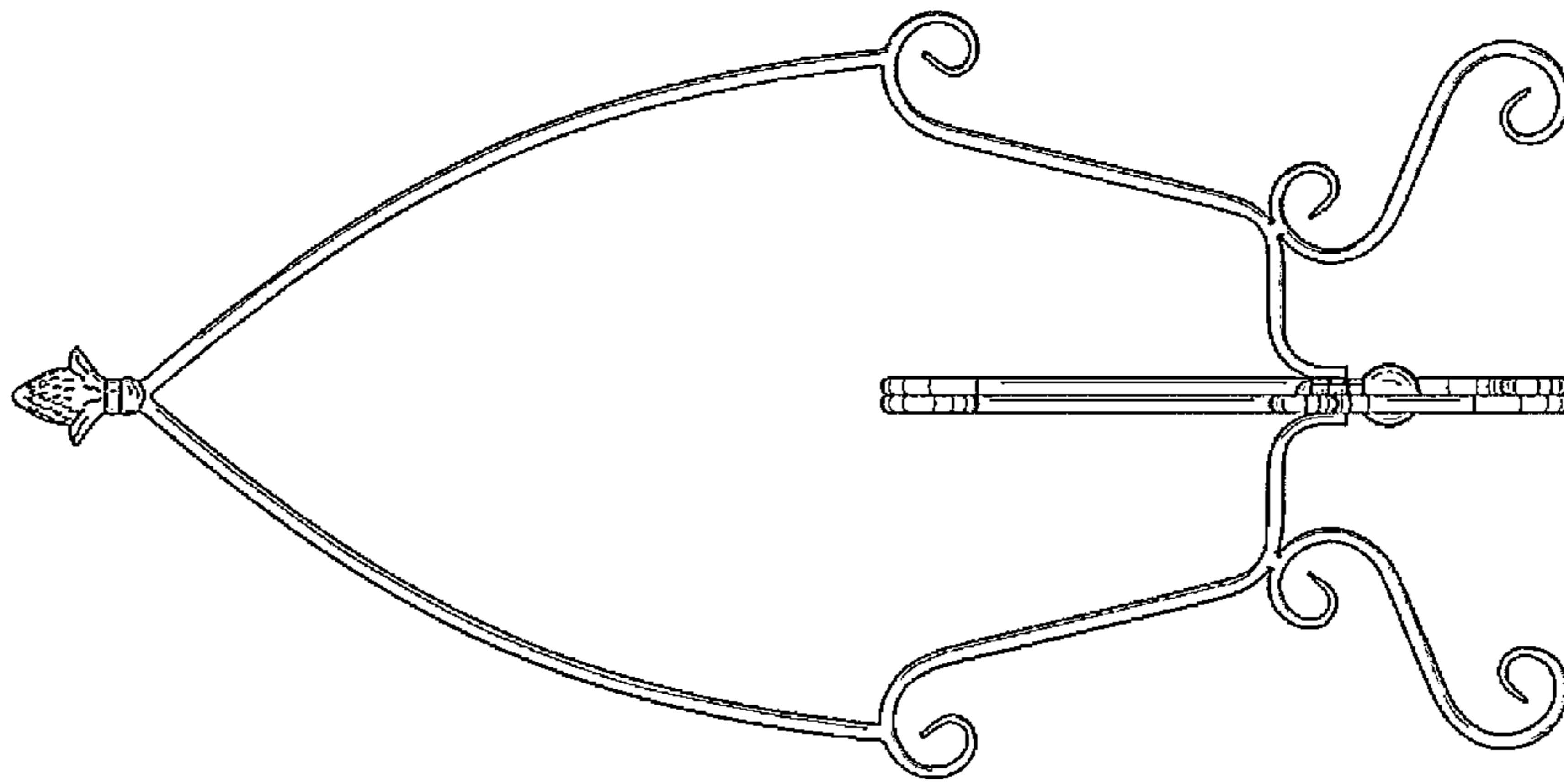


FIG. 23

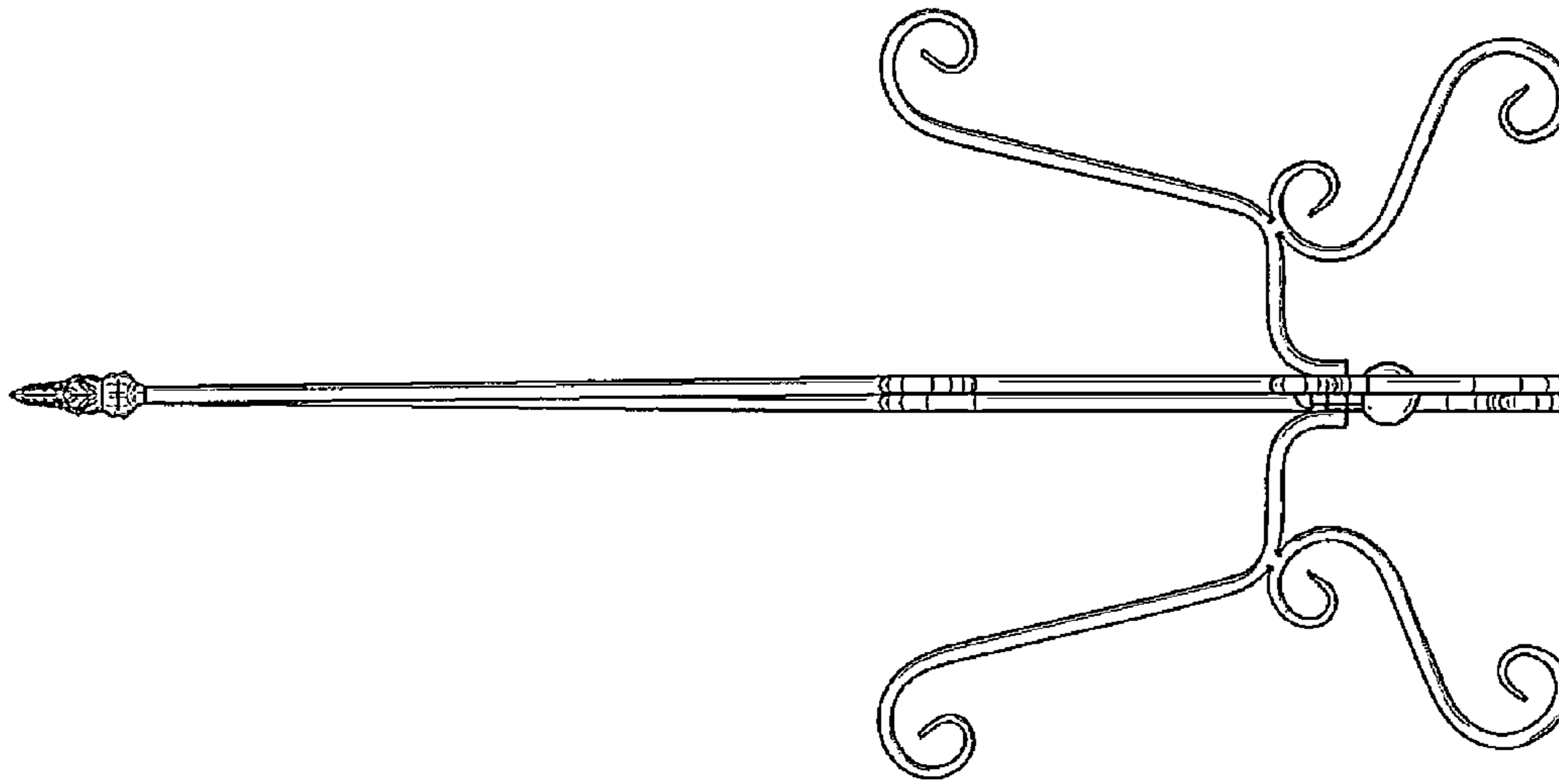


FIG. 24

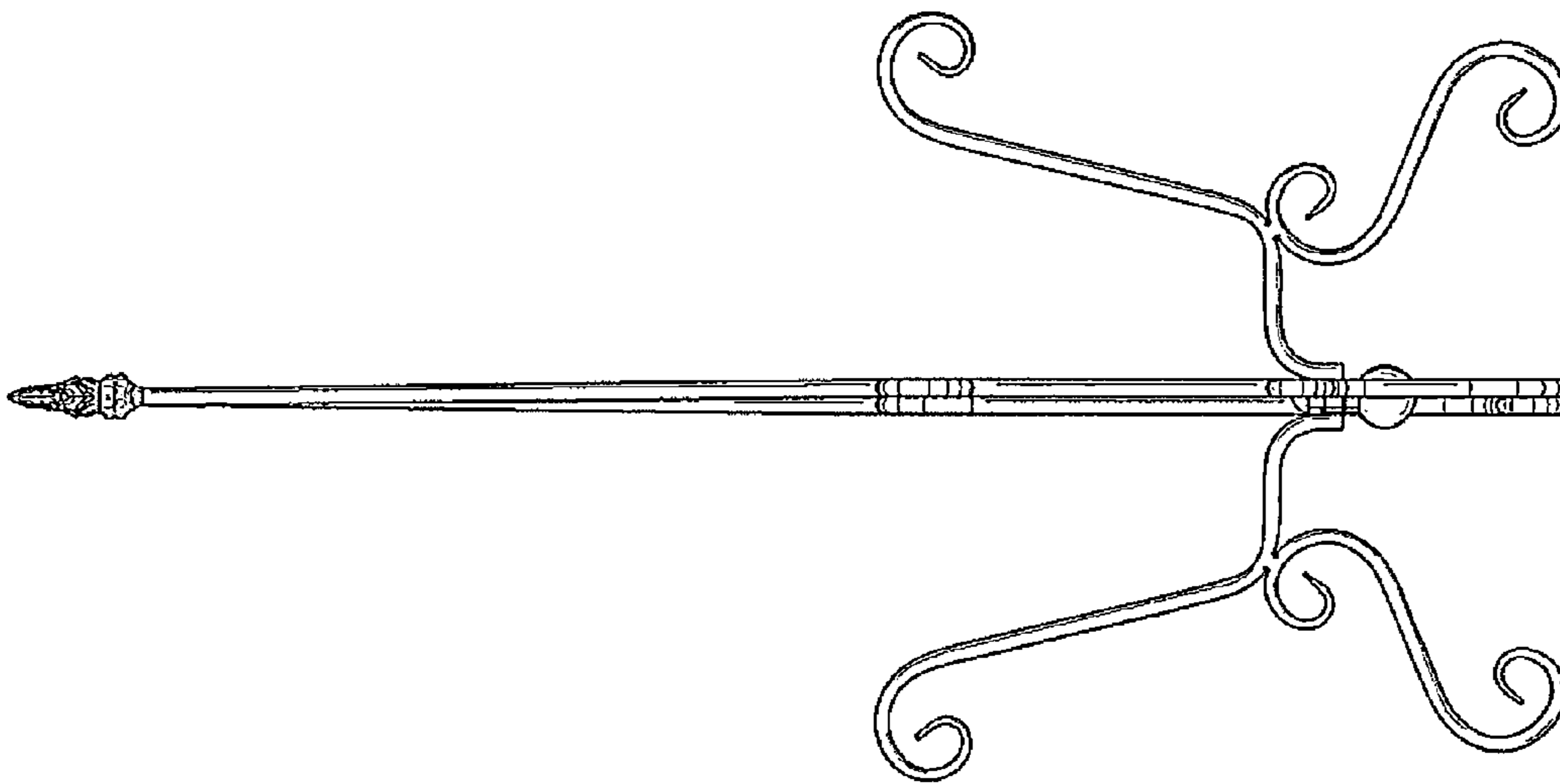


FIG. 25

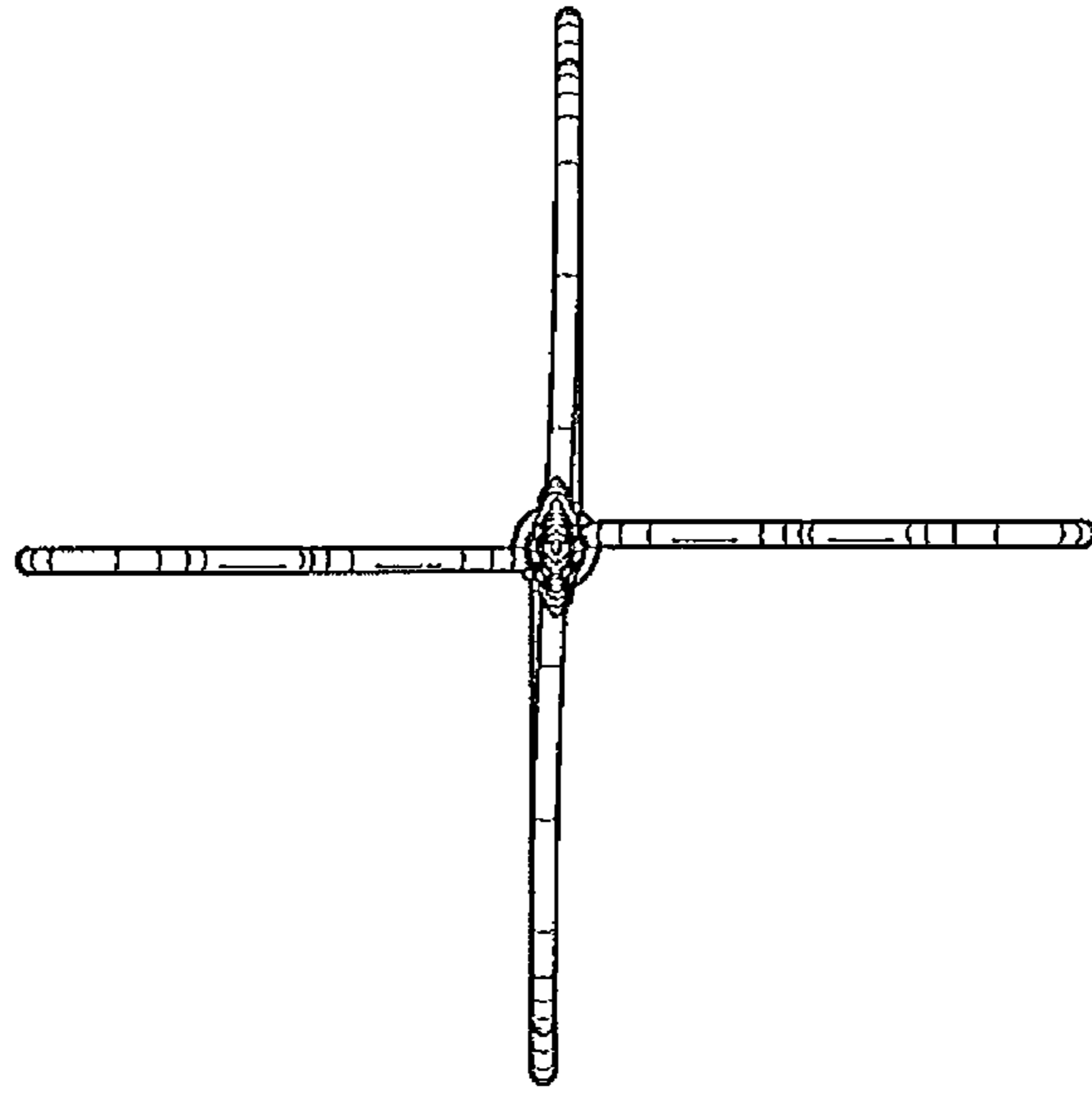


FIG. 26

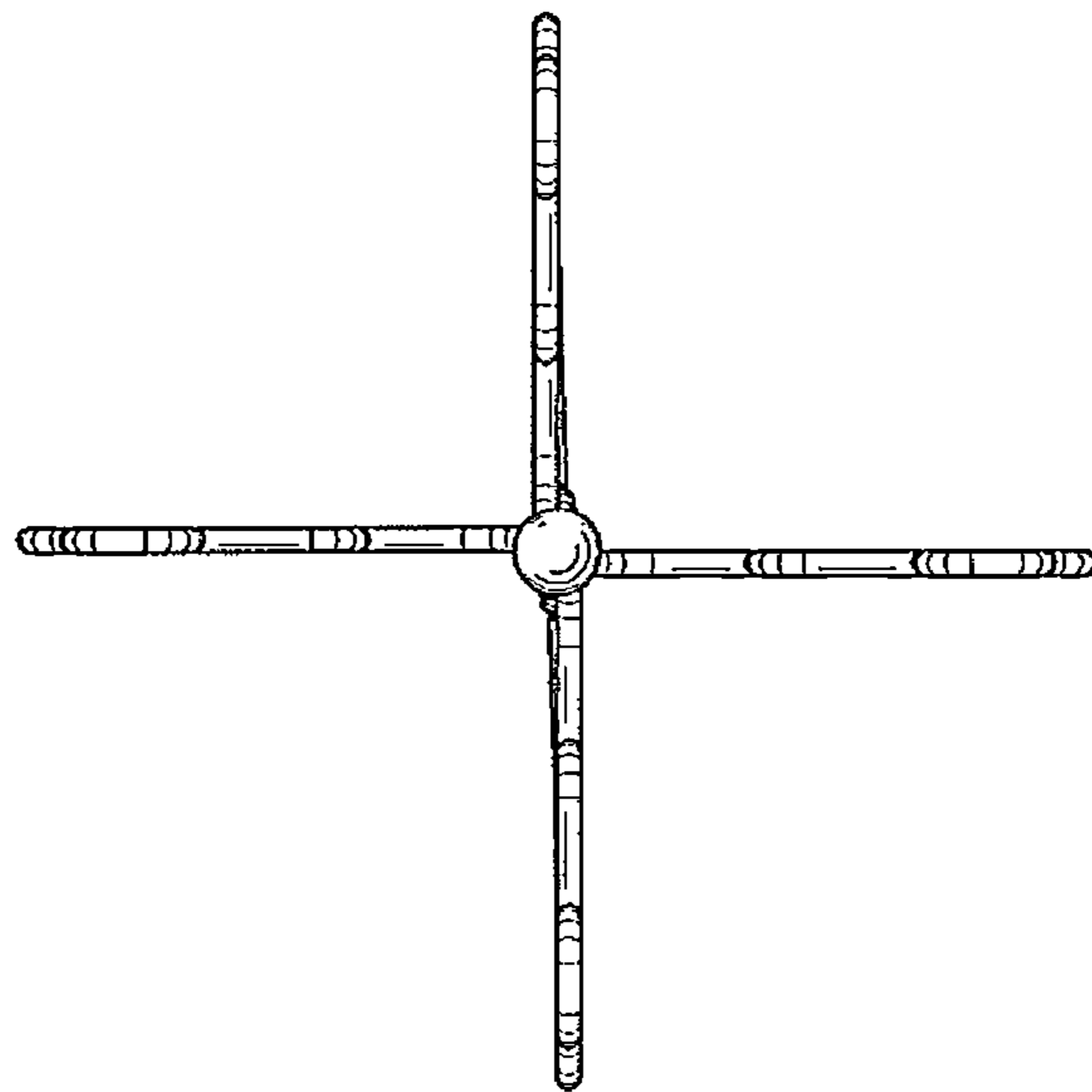


FIG. 27

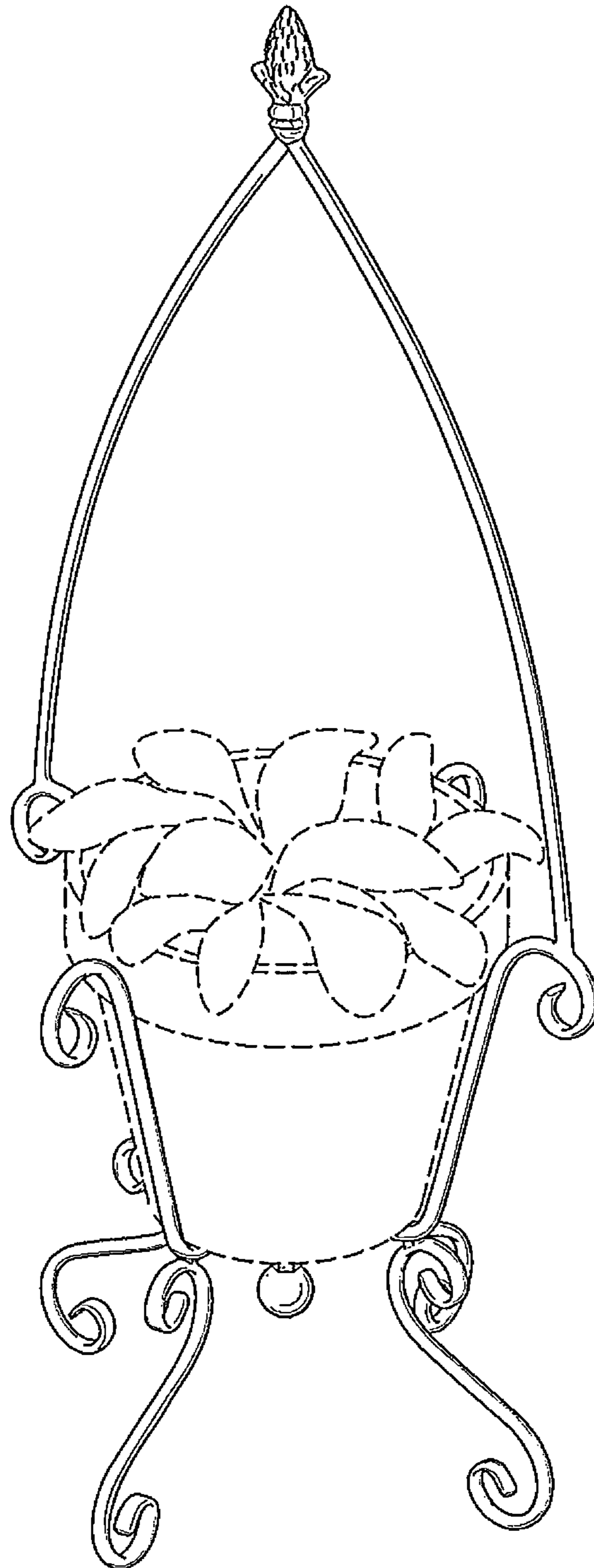


FIG. 28