



US00D694546S

(12) **United States Design Patent**
George

(10) **Patent No.:** **US D694,546 S**
(45) **Date of Patent:** **** Dec. 3, 2013**

(54) **COMPUTER DESK BENCH**

(71) Applicant: **Jean R. George**, Philadelphia, PA (US)

(72) Inventor: **Jean R. George**, Philadelphia, PA (US)

(**) Term: **14 Years**

(21) Appl. No.: **29/434,060**

(22) Filed: **Oct. 9, 2012**

(51) **LOC (9) Cl.** **06-01**

(52) **U.S. Cl.**

USPC **D6/381**

(58) **Field of Classification Search**

USPC D6/334–338, 349, 355, 361, 368–370,
D6/376, 379–381, 708, 716, 716.1;
297/16.1, 42, 94, 135, 175, 232, 233,
297/350, 351, 445.1, 448.1, 448.2, 451.9;
5/12.1, 12.2

See application file for complete search history.

(56) **References Cited**

U.S. PATENT DOCUMENTS

D229,591 S *	12/1973	Trail	D6/370
3,885,830 A	5/1975	Jones		
D237,434 S	11/1975	Le May, Jr.		
D239,580 S *	4/1976	Robertson	D6/381
D241,693 S *	10/1976	Friedman	D6/381
D248,997 S *	8/1978	Peed	D6/381
D251,641 S *	4/1979	Chacon	D6/371
D276,483 S *	11/1984	Thompson	D6/379
4,736,998 A	4/1988	Wilson		
D318,183 S *	7/1991	Fister, Jr.	D6/334
D326,367 S *	5/1992	Messina	D6/335
D356,448 S *	3/1995	Kashima et al.	D6/335
D360,310 S *	7/1995	Stamberg et al.	D6/334
D363,171 S *	10/1995	Kramer	D6/381
5,647,632 A	7/1997	Fireman		
D404,581 S	1/1999	Saban		

5,902,009 A	5/1999	Singh et al.		
6,015,186 A	1/2000	Greiger		
D422,422 S *	4/2000	Black	D6/369
D425,339 S *	5/2000	Schlichter et al.	D6/492
D432,322 S	10/2000	Mandell		
D440,420 S	4/2001	Goldstein		
D446,961 S *	8/2001	Natuzzi et al.	D6/381
D466,708 S	12/2002	Chau		
6,820,932 B2	11/2004	Misthos et al.		
D530,937 S	10/2006	Barrett		
D601,824 S *	10/2009	Dordoni	D6/381
D626,250 S *	10/2010	Wenderow et al.	D24/234
D664,778 S *	8/2012	Pheasant et al.	D6/334

* cited by examiner

Primary Examiner — Sandra Snapp

(74) *Attorney, Agent, or Firm* — Robert C. Montgomery;
Montgomery Patent & Design

(57) **CLAIM**

The ornamental design for a computer desk bench, as shown and described.

DESCRIPTION

FIG. 1 is a perspective front view of a computer desk bench, showing my new design;

FIG. 2 is a front view thereof;

FIG. 3 is a rear view thereof;

FIG. 4 is a left side view thereof with a right side view being a mirror image;

FIG. 5 is a top view thereof;

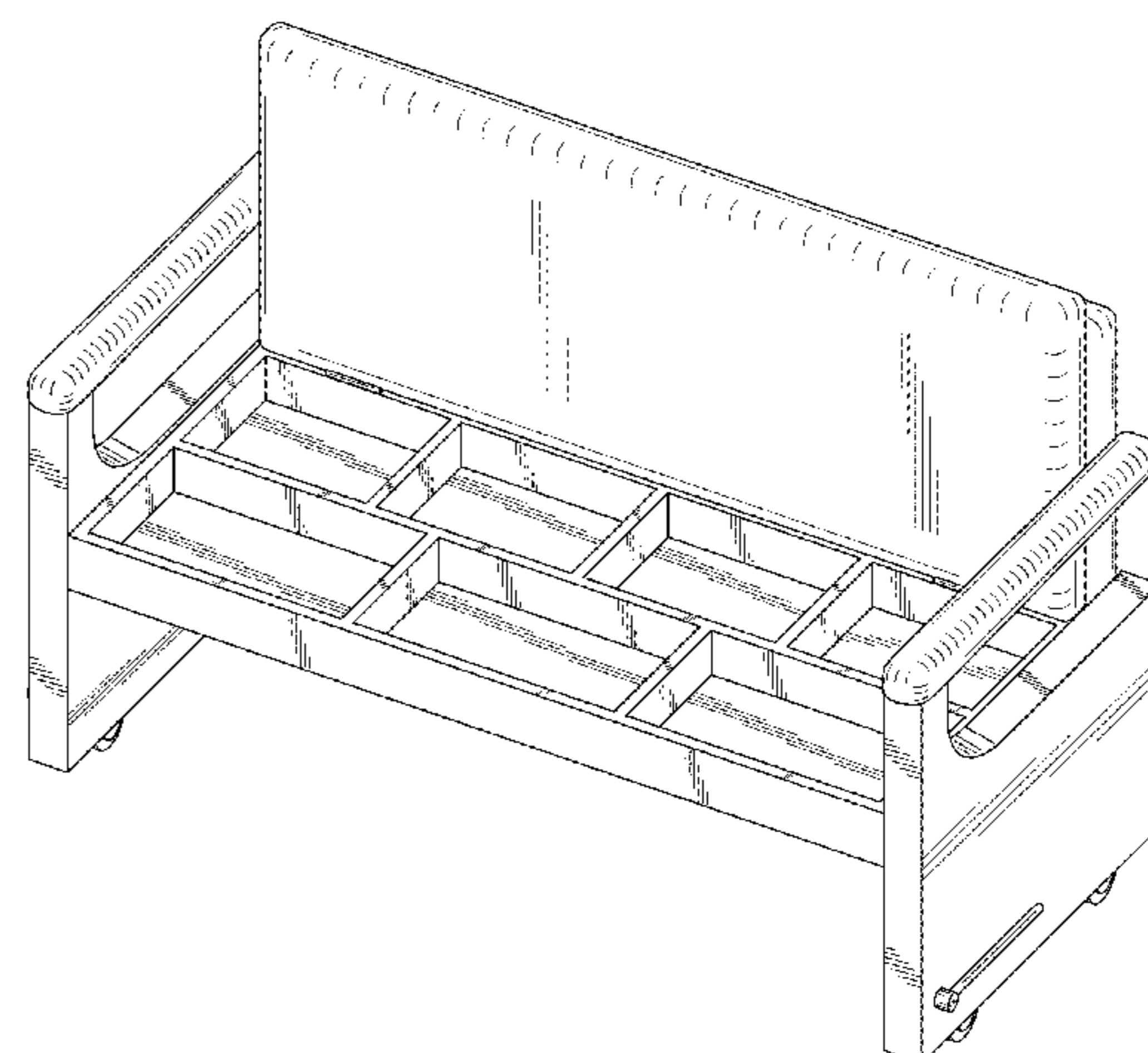
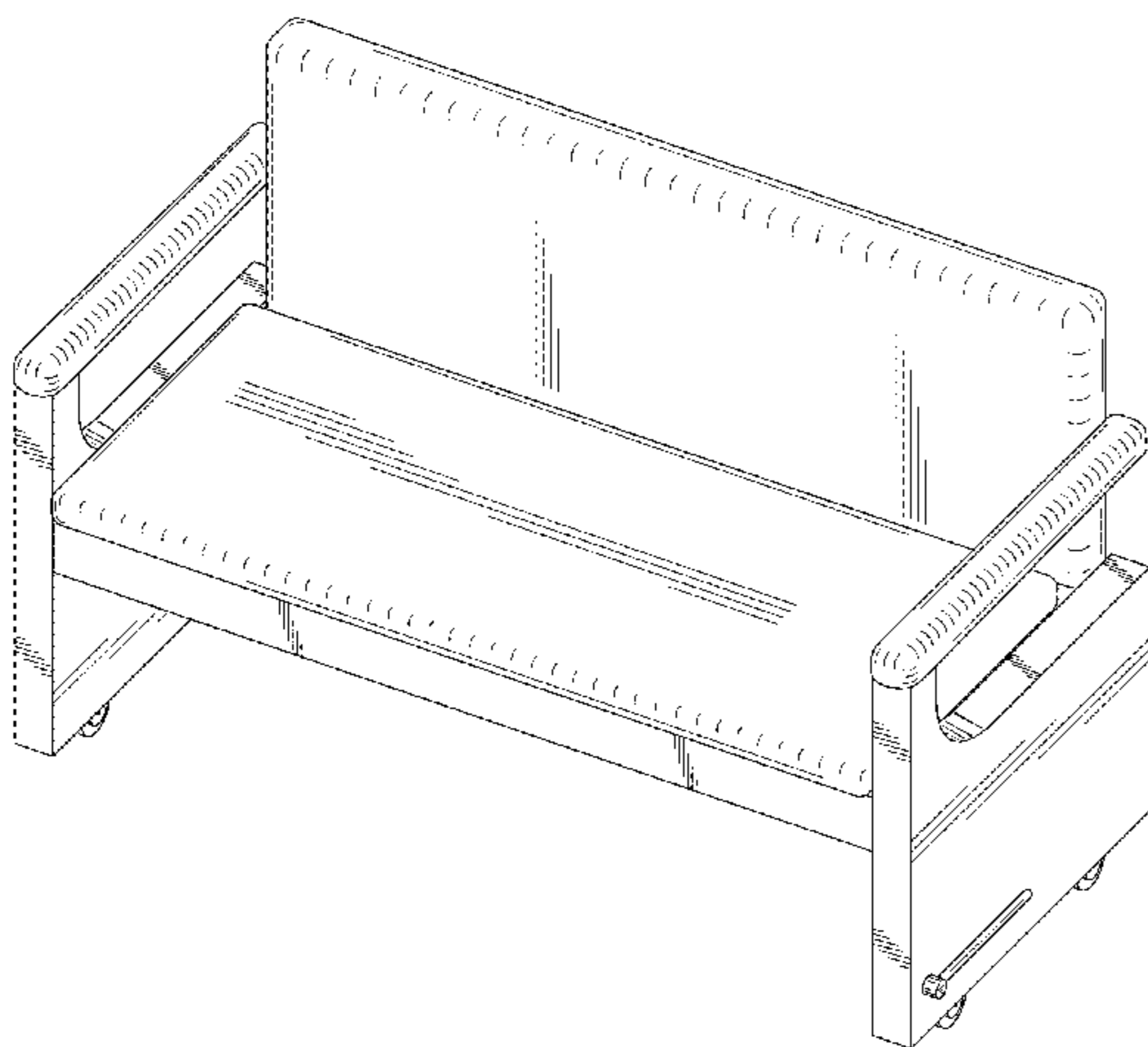
FIG. 6 is a bottom view thereof;

FIG. 7 is a perspective front view of the computer desk bench depicted with a bench seat in an open position;

FIG. 8 is a top view of the computer desk bench depicted in FIG. 7; and,

FIG. 9 is a left side view of the computer desk bench depicted in FIG. 7 with a right side view being a mirror image.

1 Claim, 9 Drawing Sheets



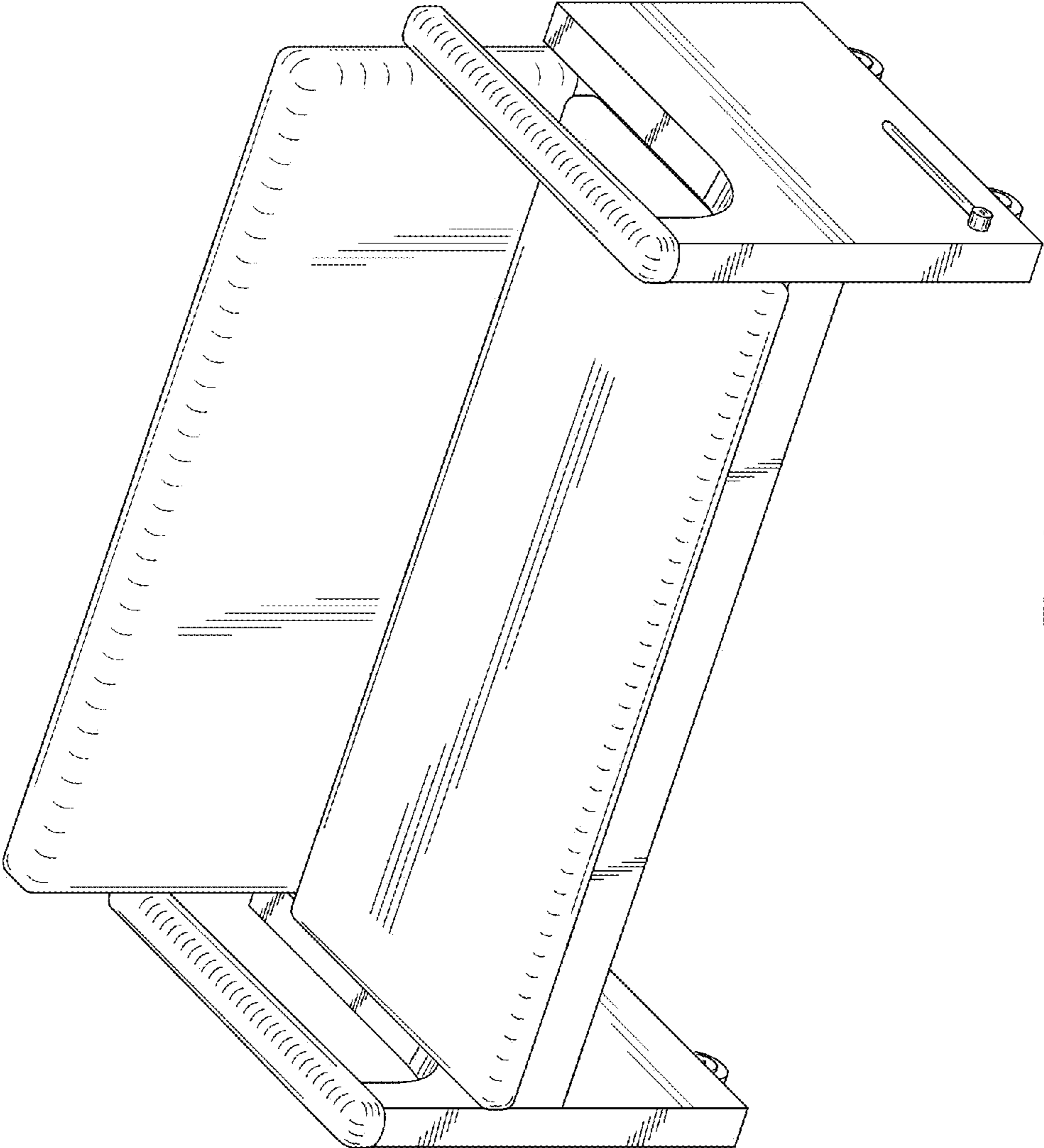


Fig. 1

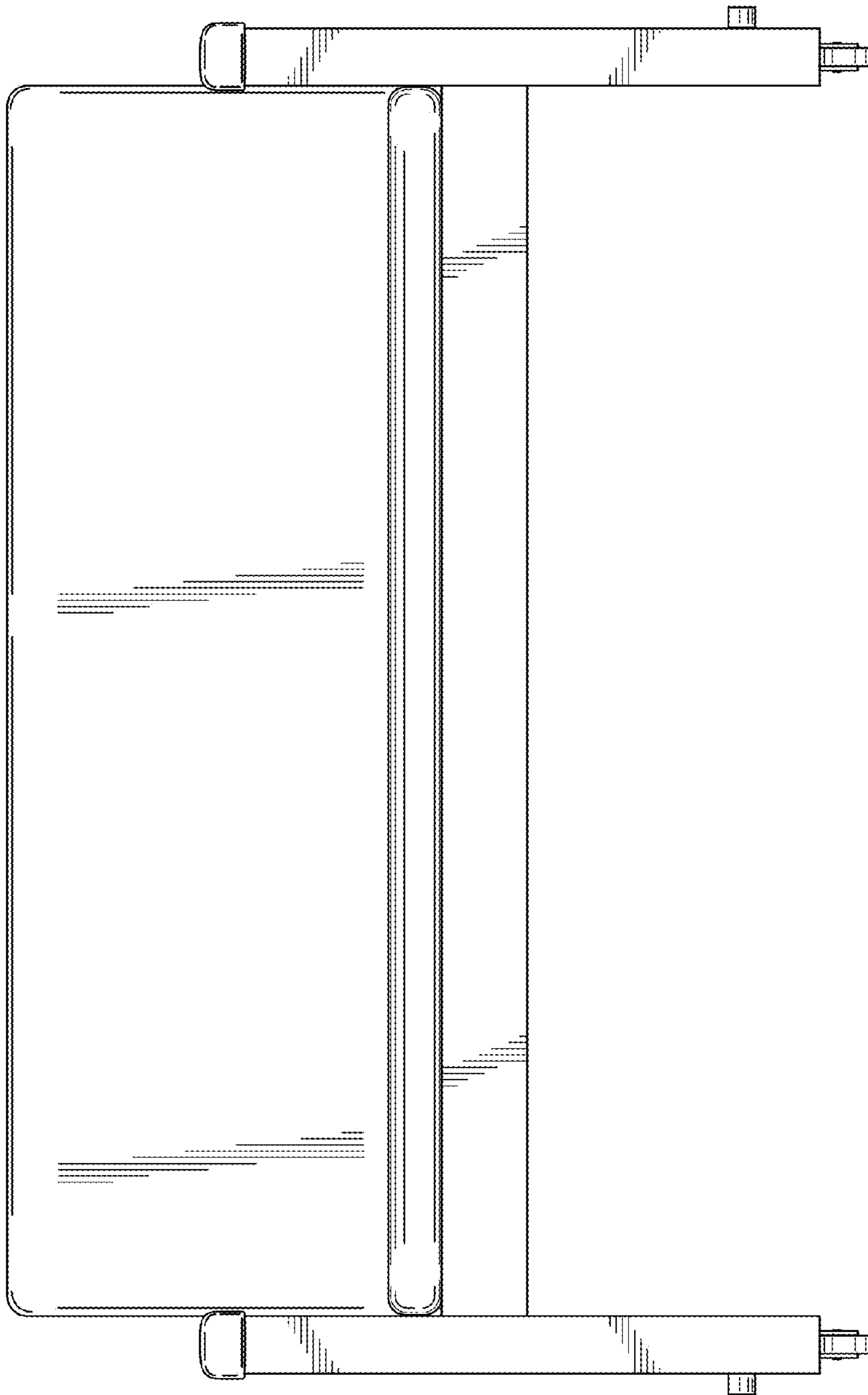


Fig. 2

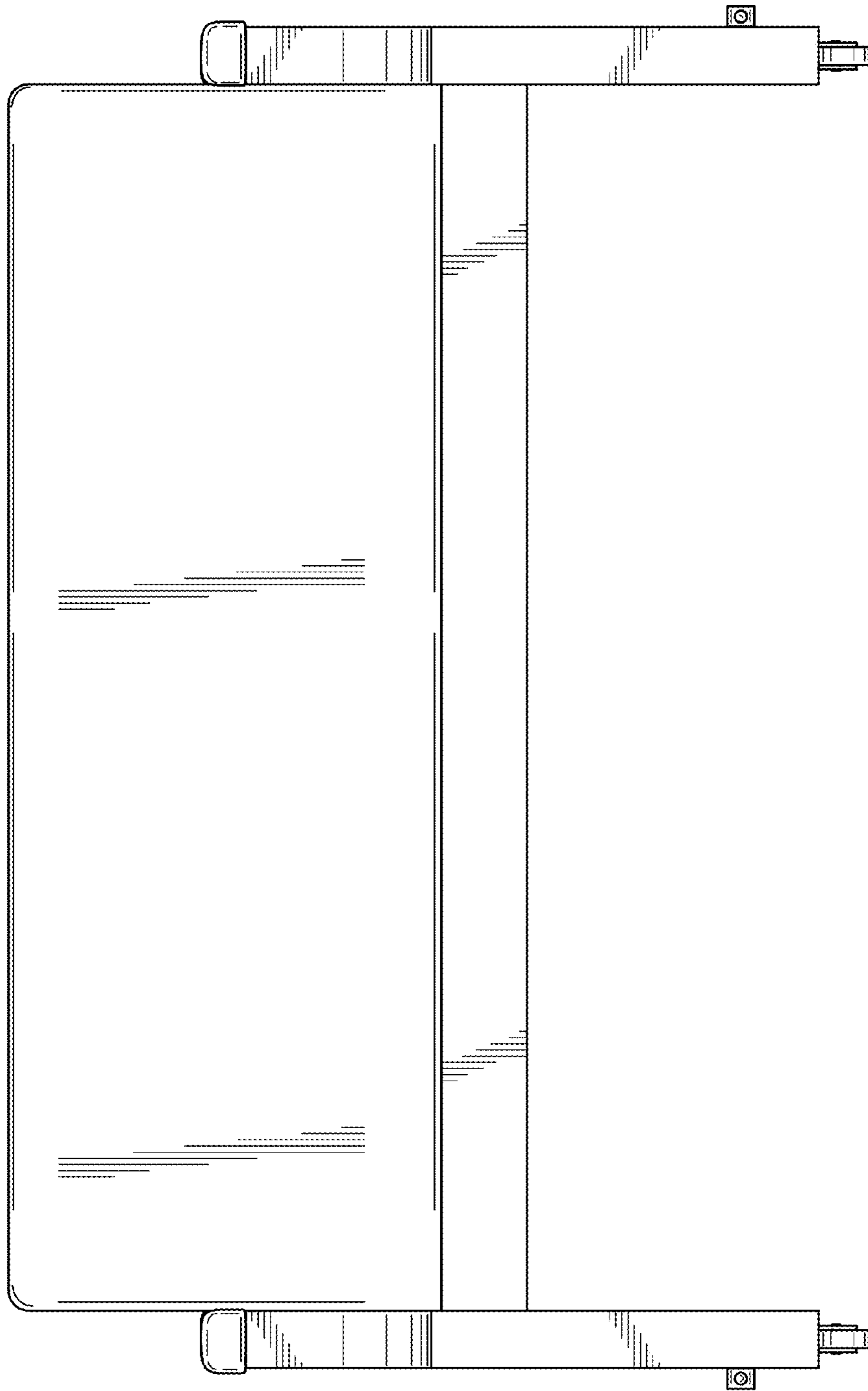


FIG. 3

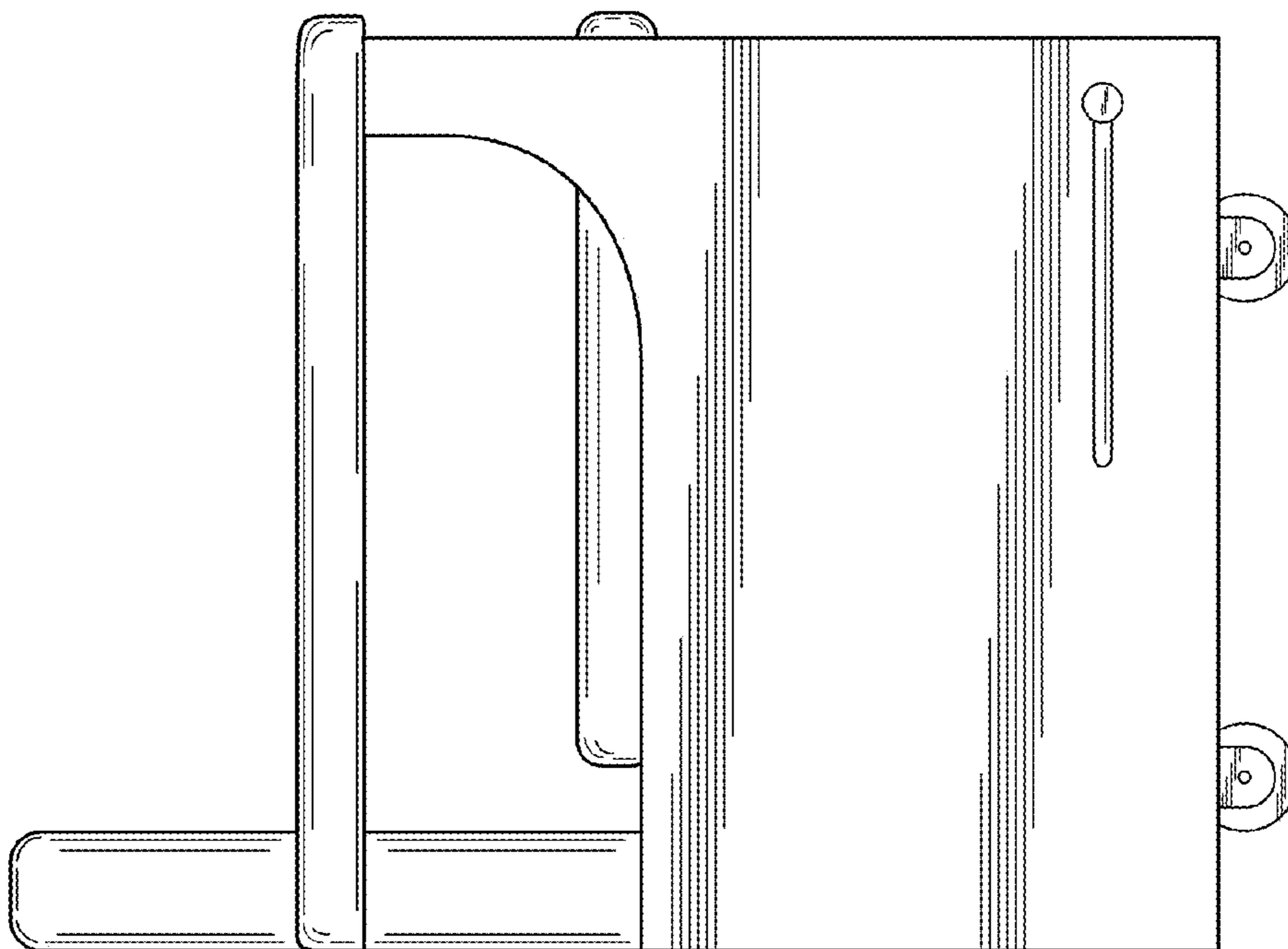


Fig. 4

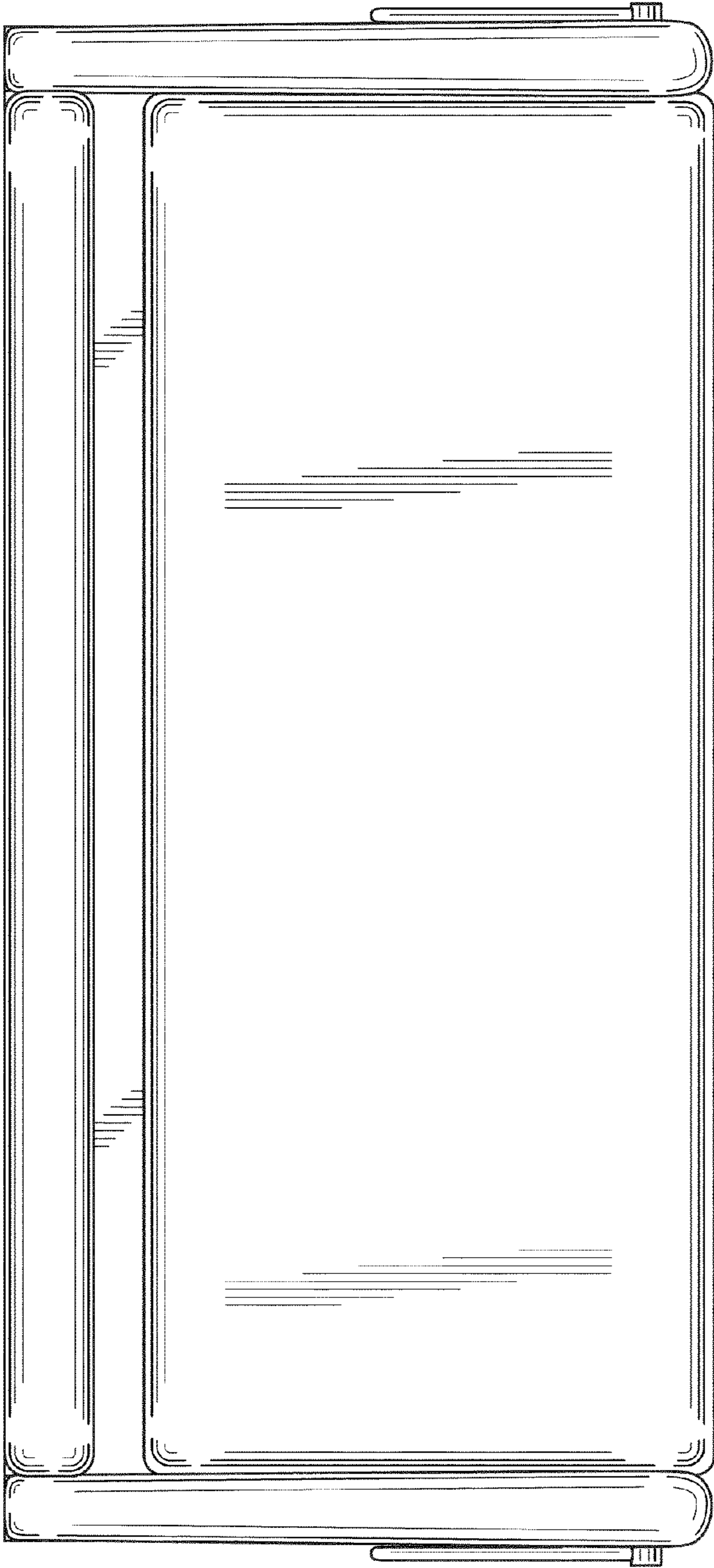


Fig. 5

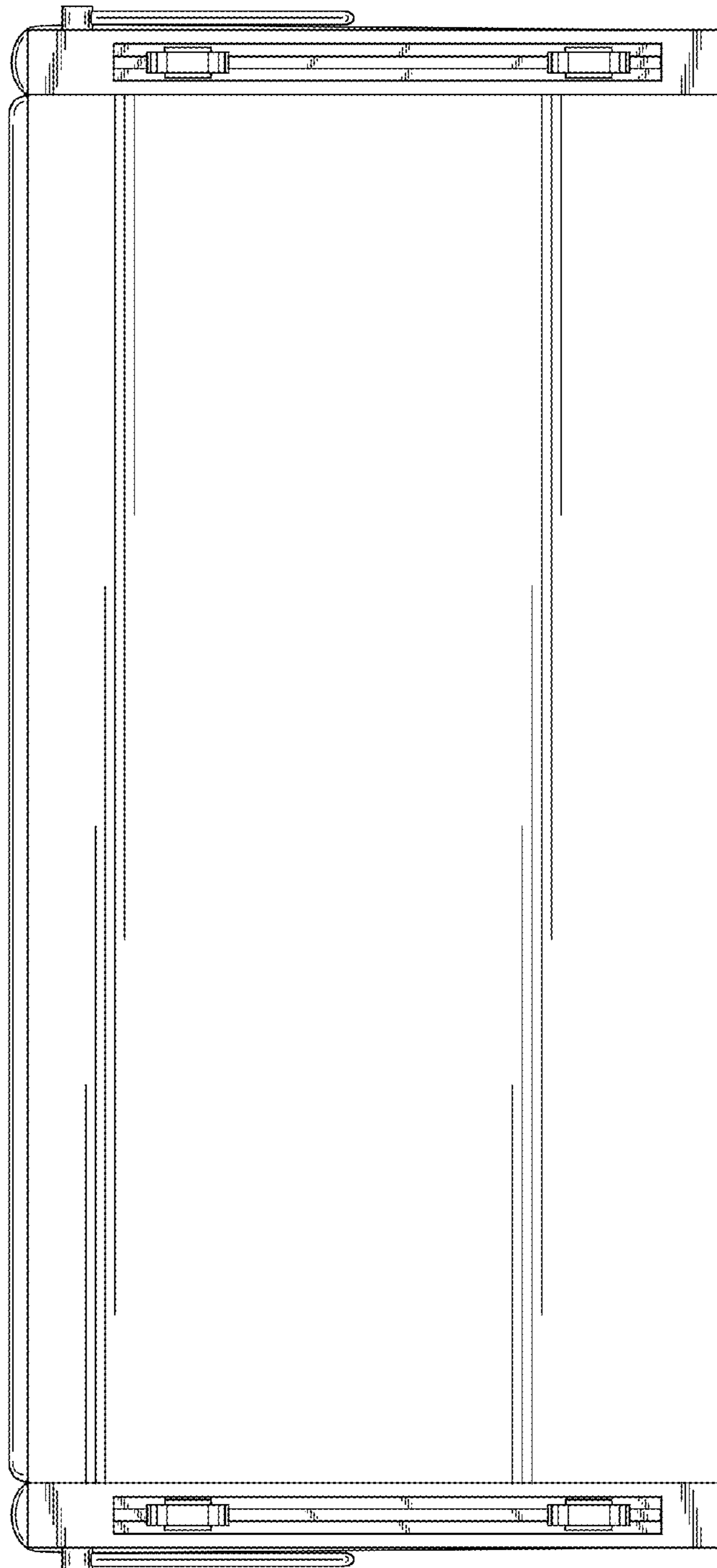


Fig. 6

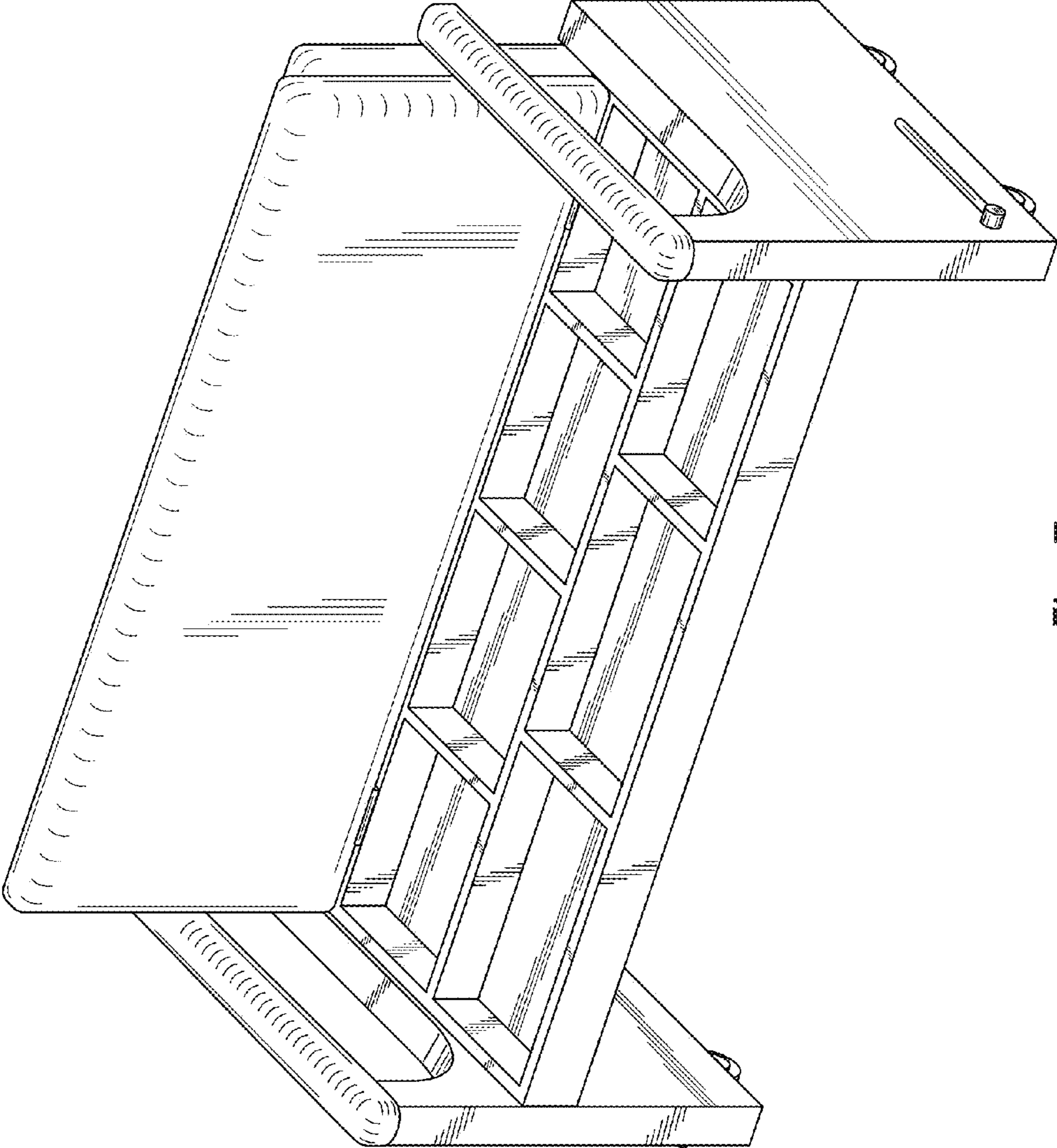


Fig. 7

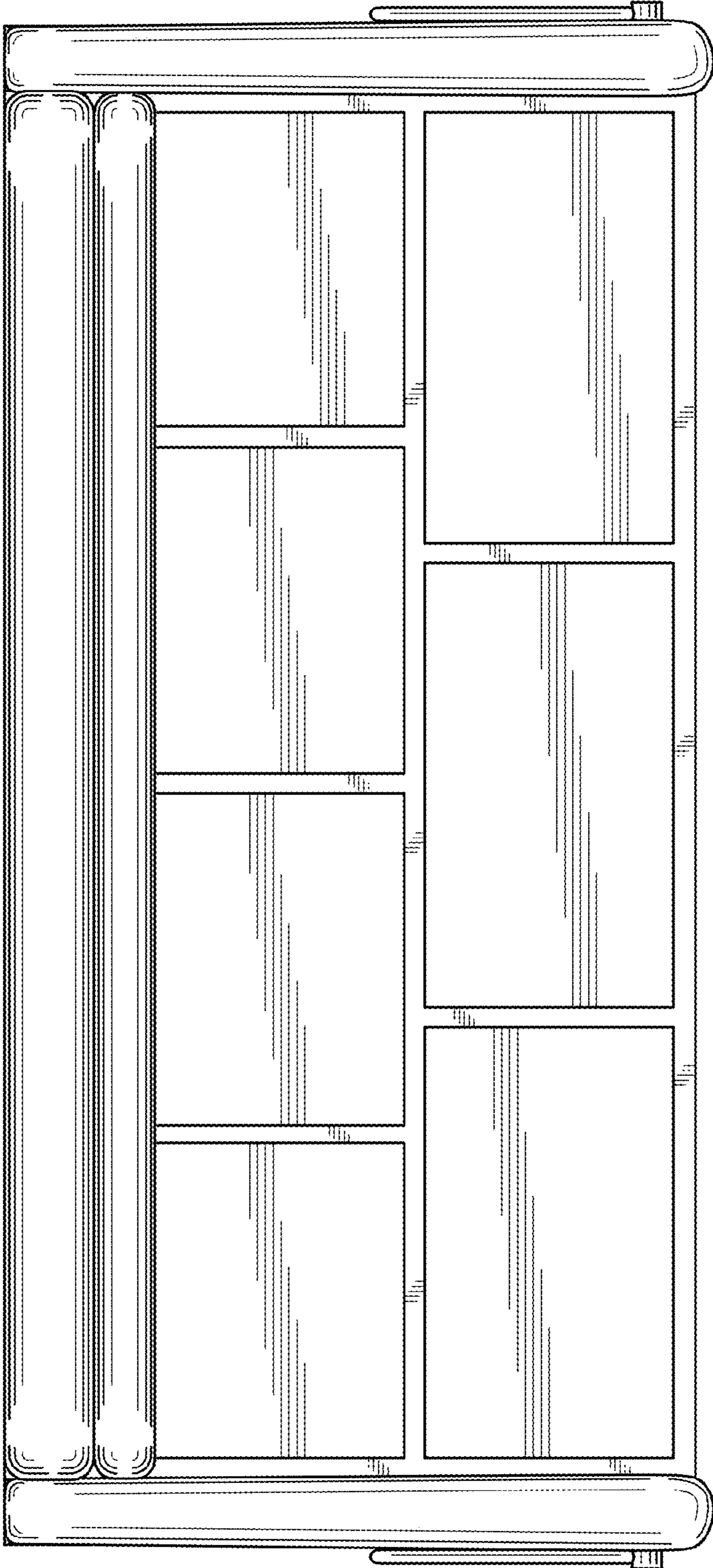


Fig. 8

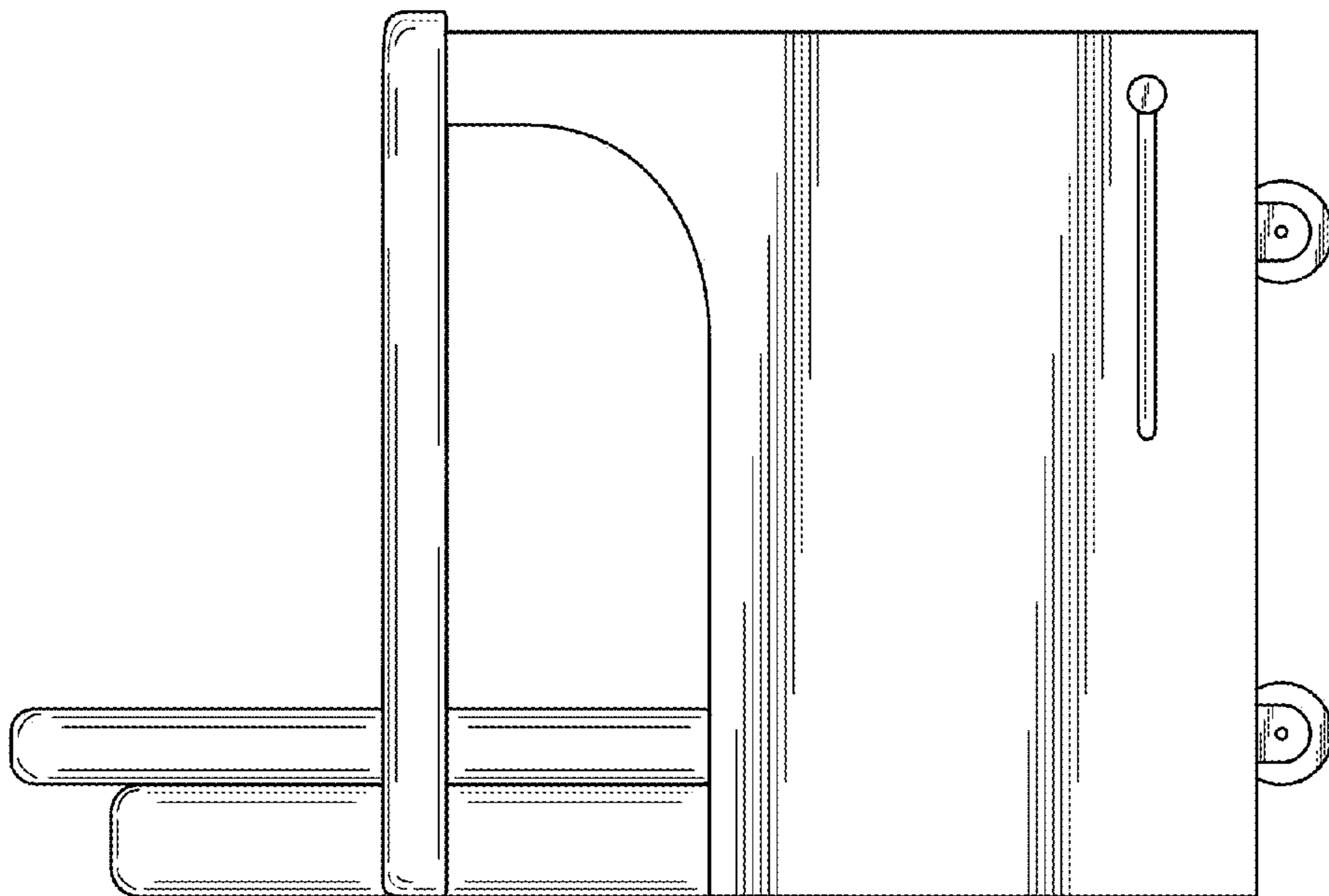


Fig. 9