



US00D694542S

(12) **United States Design Patent**
Citterio

(10) **Patent No.:** **US D694,542 S**
(45) **Date of Patent:** **** Dec. 3, 2013**

(54) **CHAIR AND BACKREST FOR A CHAIR**

D637,829 S * 5/2011 Citterio D6/366
D670,927 S * 11/2012 Hurford D6/366
D671,759 S * 12/2012 Hurford D6/366
D688,483 S * 8/2013 Aratani D6/366

(71) Applicant: **Vitra Patente AG**, MuttENZ (CH)

(72) Inventor: **Antonio Citterio**, Milan (IT)

* cited by examiner

(73) Assignee: **Vitra Patente AG**, MuttENZ (CH)

Primary Examiner — Ricky Pham

(**) Term: **14 Years**

(74) *Attorney, Agent, or Firm* — McCarter & English, LLP

(21) Appl. No.: **29/448,632**

(57) **CLAIM**
The ornamental design for a chair and backrest for a chair, as shown and described.

(22) Filed: **Mar. 13, 2013**

(30) **Foreign Application Priority Data**

DESCRIPTION

Oct. 8, 2012 (WO) DM/079 295

(51) **LOC (9) Cl.** **06-01**

(52) **U.S. Cl.**
USPC **D6/366**

(58) **Field of Classification Search**
USPC D6/334–336, 344–353, 360–381, 388,
D6/403, 491–502, 692, 708, 716,
D6/716.2–716.4; 297/16.1, 22, 31, 35,
297/217.1, 228.12, 239, 256.16, 271.6,
297/284.4–284.5, 291, 297, 302.4, 411.2,
297/411.27–411.29, 411.43, 423.1, 423.12,
297/440.11, 440.15, 440.24, 448.1, 451.4,
297/452.13, 452.18, 452.19, 452.21,
297/452.27, 452.29, 452.3, 452.41, 452.56,
297/452.64

See application file for complete search history.

FIG. 1 is a front perspective view of a first embodiment of a chair;
FIG. 2 shows a front elevational view of FIG. 1;
FIG. 3 shows a right side view of FIG. 1;
FIG. 4 shows a left side view of FIG. 1;
FIG. 5 shows a rear elevational view of FIG. 1;
FIG. 6 shows a top plan view of FIG. 1;
FIG. 7 shows a bottom plan view of FIG. 1;
FIG. 8 is a front perspective view of a second embodiment of a chair;
FIG. 9 shows a front elevational view of FIG. 8;
FIG. 10 shows a right side view of FIG. 8;
FIG. 11 shows a left side view of FIG. 8;
FIG. 12 shows a rear elevational view of FIG. 8;
FIG. 13 shows a top plan view of FIG. 8;
FIG. 14 shows a bottom plan view of FIG. 8;
FIG. 15 is a front perspective view of the single backrest from the chair according to FIG. 1;
FIG. 16 shows a rear perspective view of FIG. 15;
FIG. 17 shows a top perspective view of FIG. 15;
FIG. 18 shows an underside perspective view of FIG. 15;
FIG. 19 is a front perspective view of the single backrest from the chair according to FIG. 15 which is essentially identical except that it has an indefinite fastening section;
FIG. 20 shows a rear perspective view of FIG. 19;
FIG. 21 shows a top perspective view of FIG. 19; and,
FIG. 22 shows an underside perspective view of FIG. 19.

(56) **References Cited**

U.S. PATENT DOCUMENTS

D270,310 S * 8/1983 Ochsner D6/366
D289,236 S * 4/1987 Brauning D6/366
D339,940 S * 10/1993 Balderi et al. D6/502
D356,897 S * 4/1995 Ochsner D6/366
D358,944 S * 6/1995 Citterio D6/366
D368,596 S * 4/1996 Breen D6/366
D417,792 S * 12/1999 Hansen et al. D6/366
D514,832 S * 2/2006 Tsai D6/366
D576,812 S * 9/2008 Van Severen D6/366

1 Claim, 22 Drawing Sheets





Fig. 1



Fig. 2



Fig. 3



Fig. 4



Fig. 5



Fig. 6

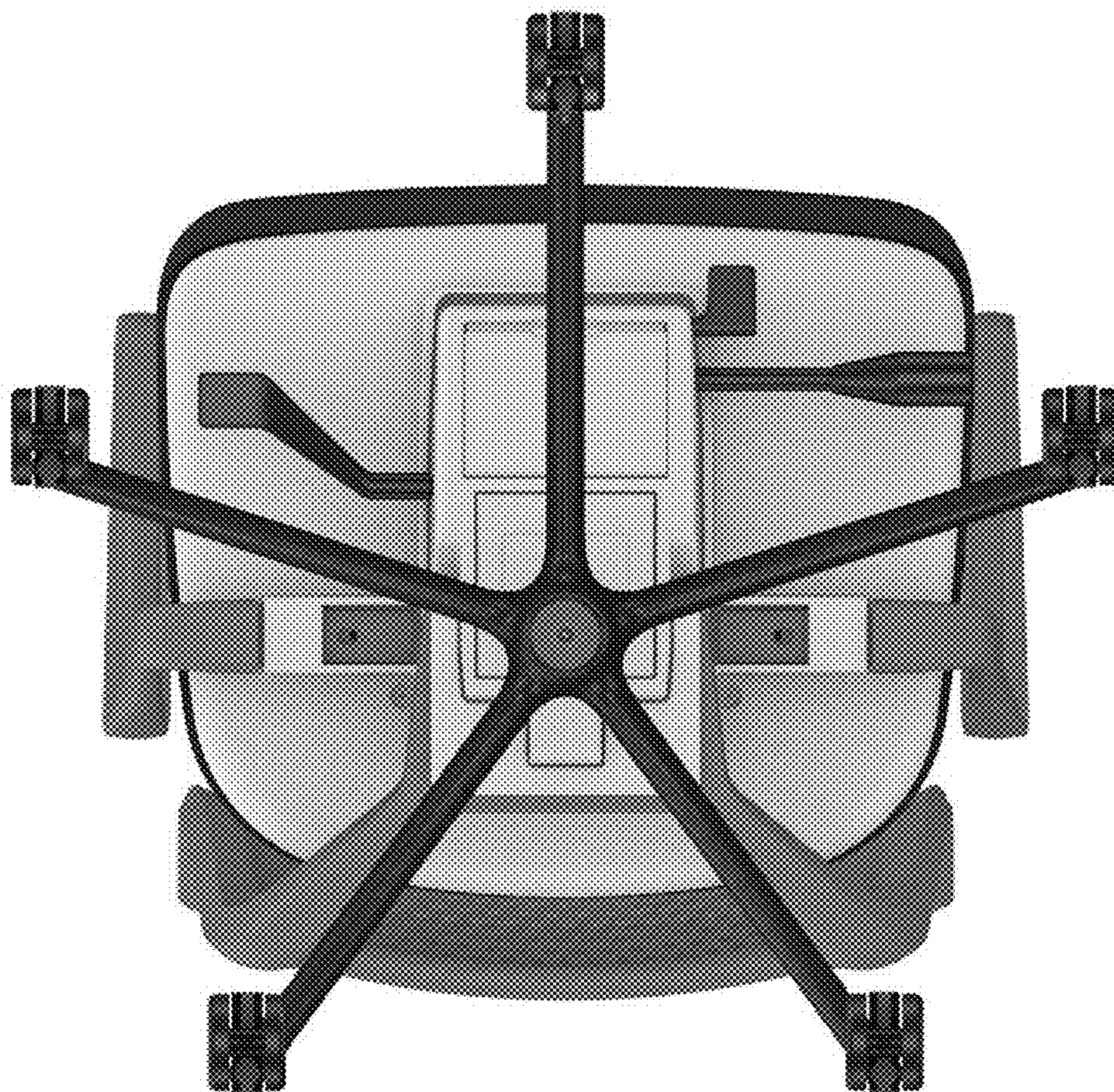


Fig. 7



Fig. 8



Fig. 9



Fig. 10



Fig. 11



Fig. 12



Fig. 13

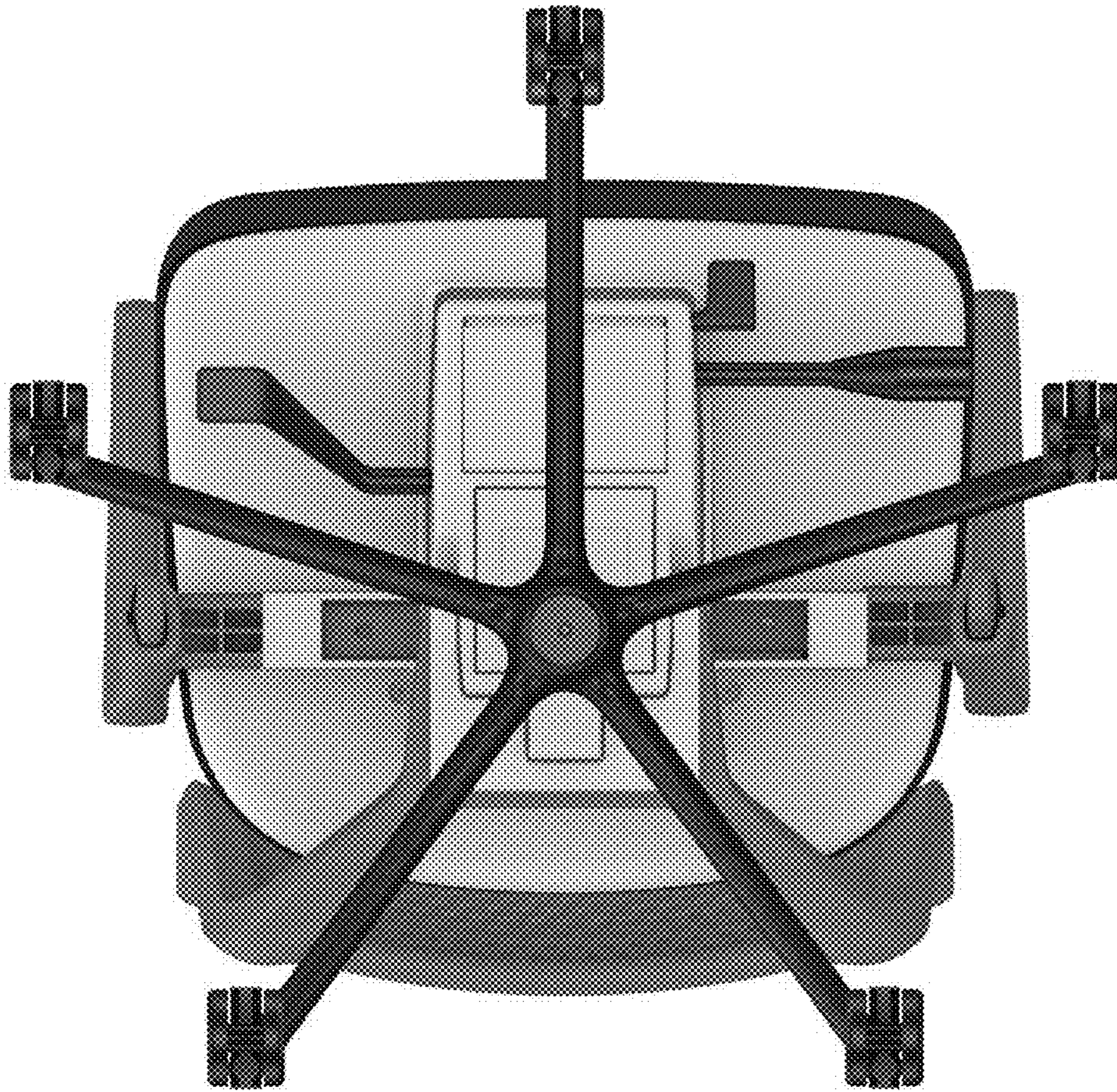


Fig. 14

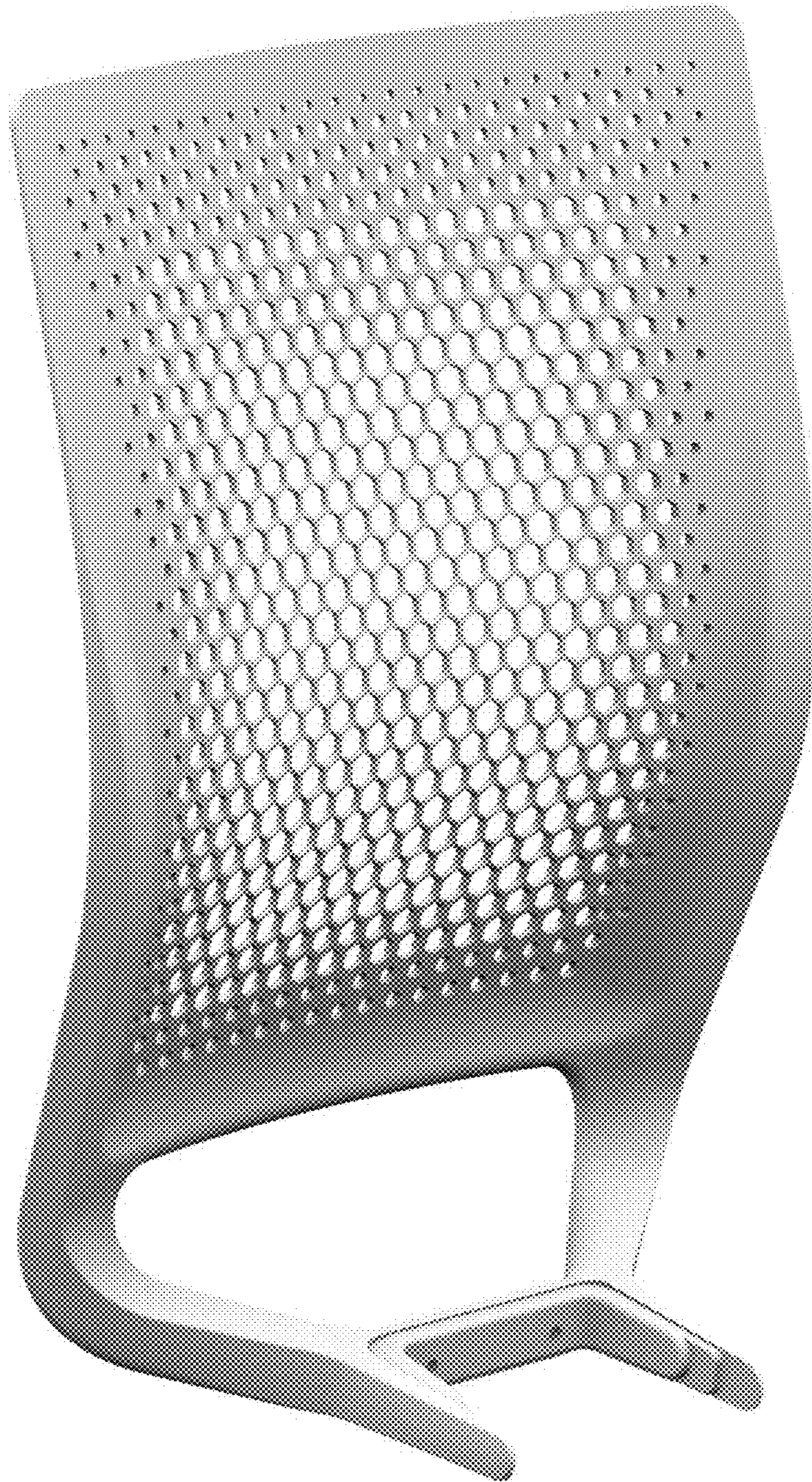


Fig. 15

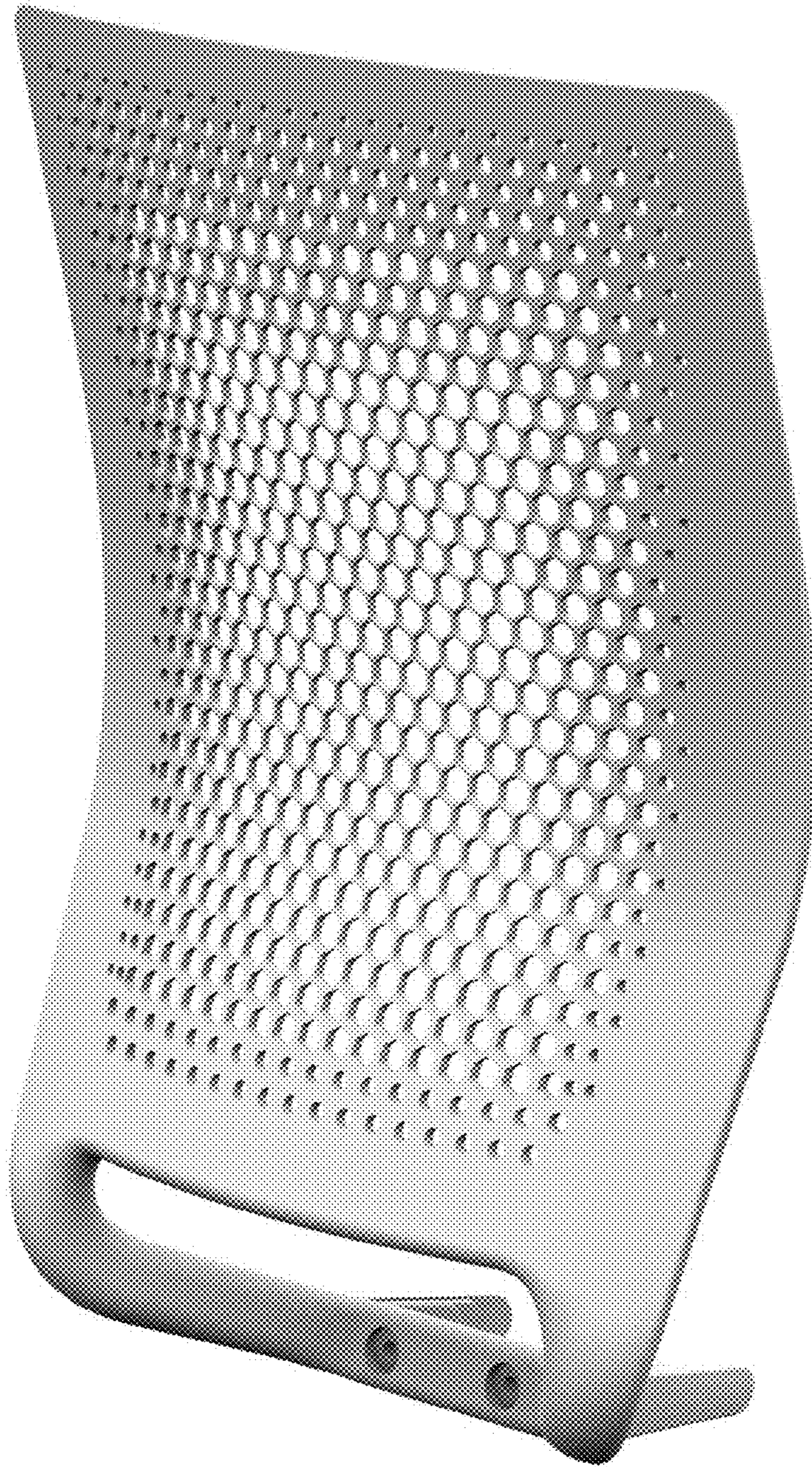


Fig. 16

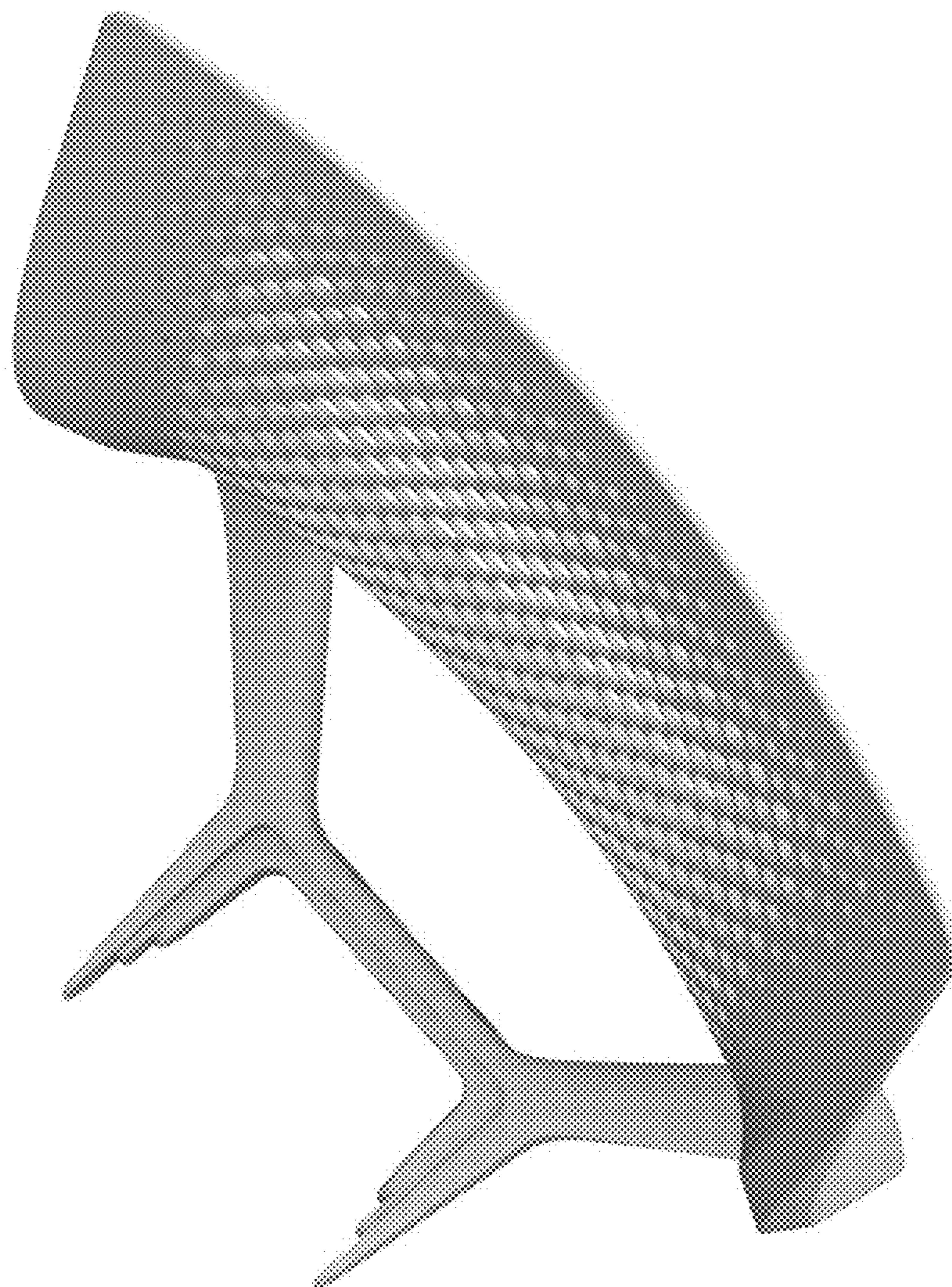


Fig. 17

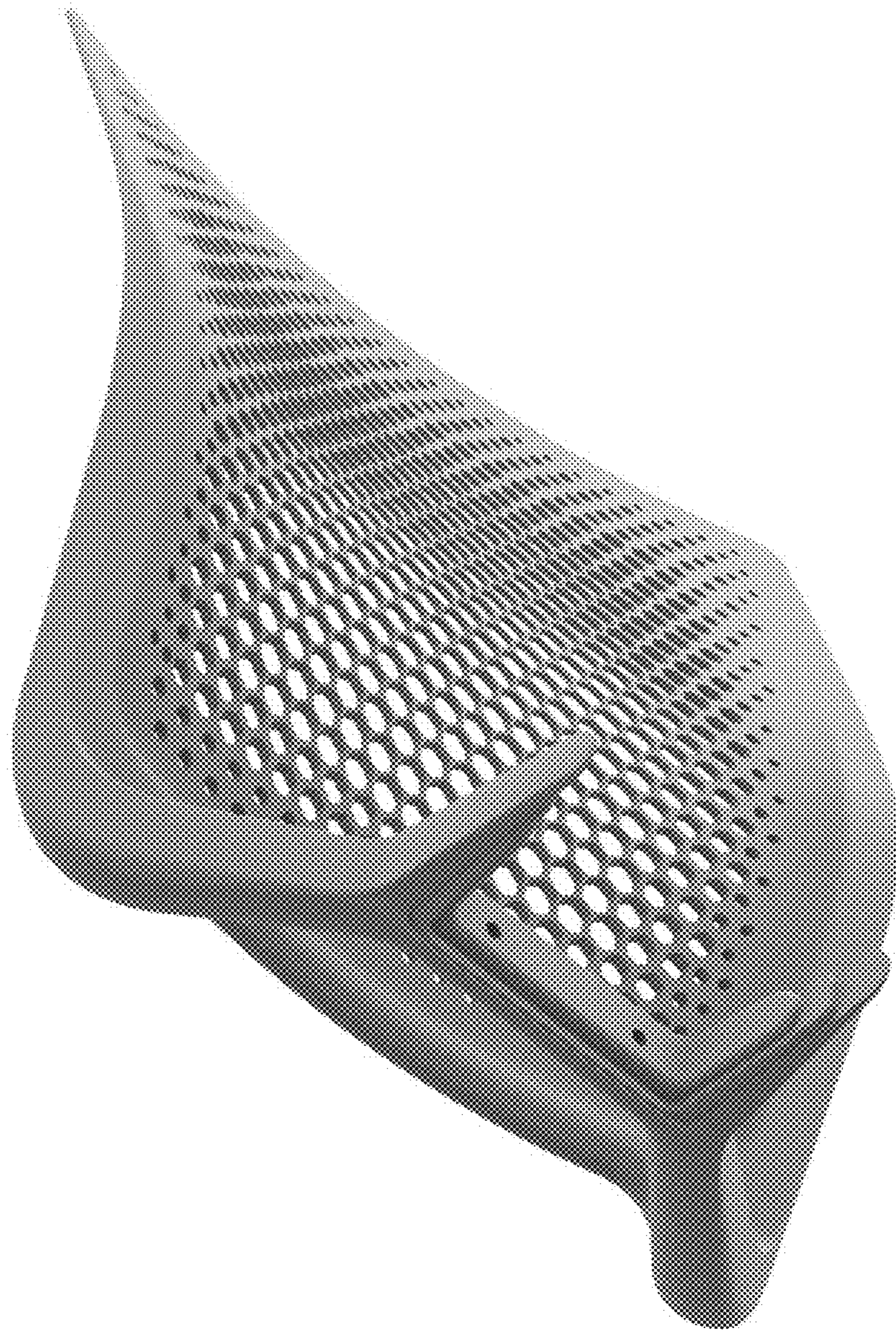


Fig. 18

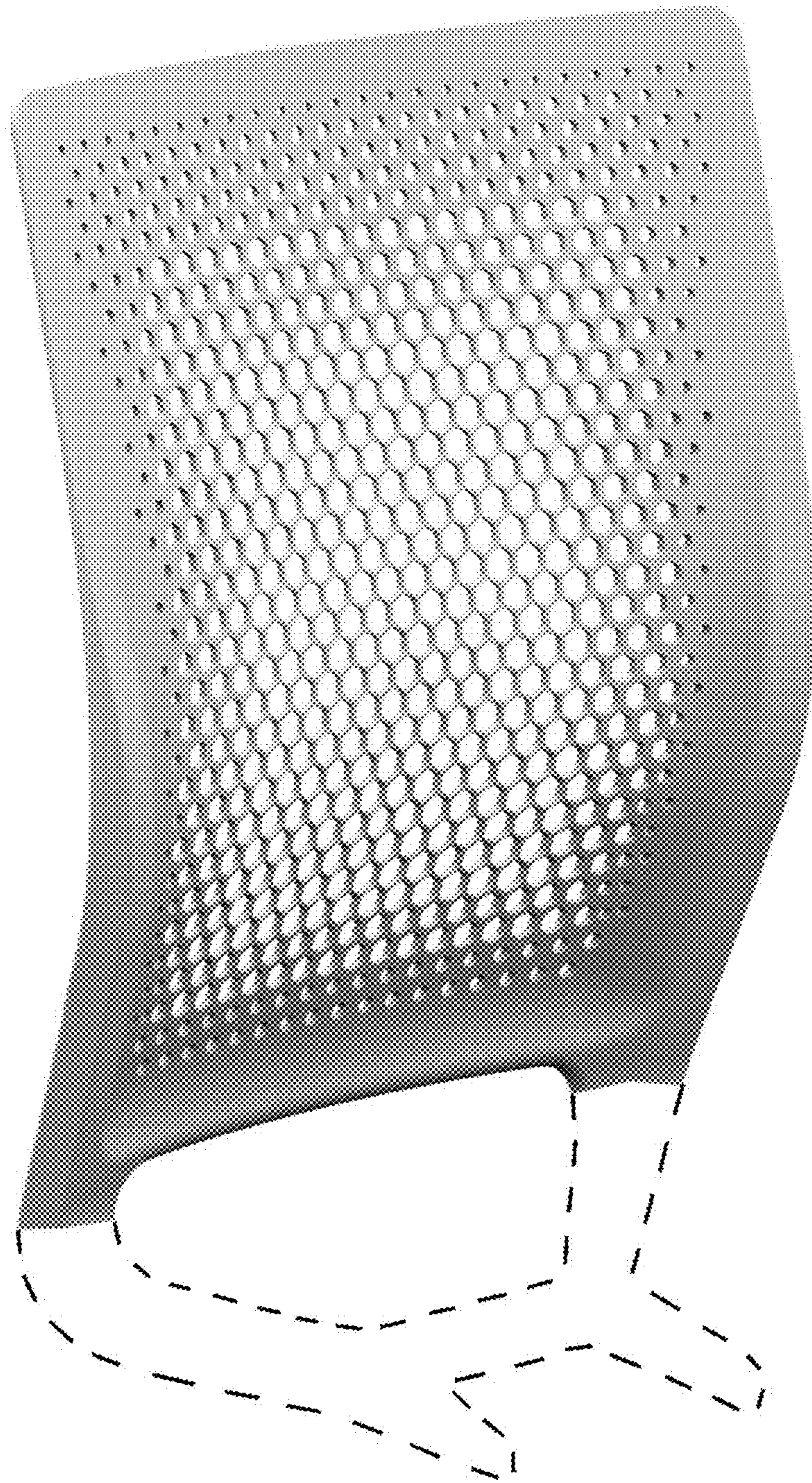


Fig. 19

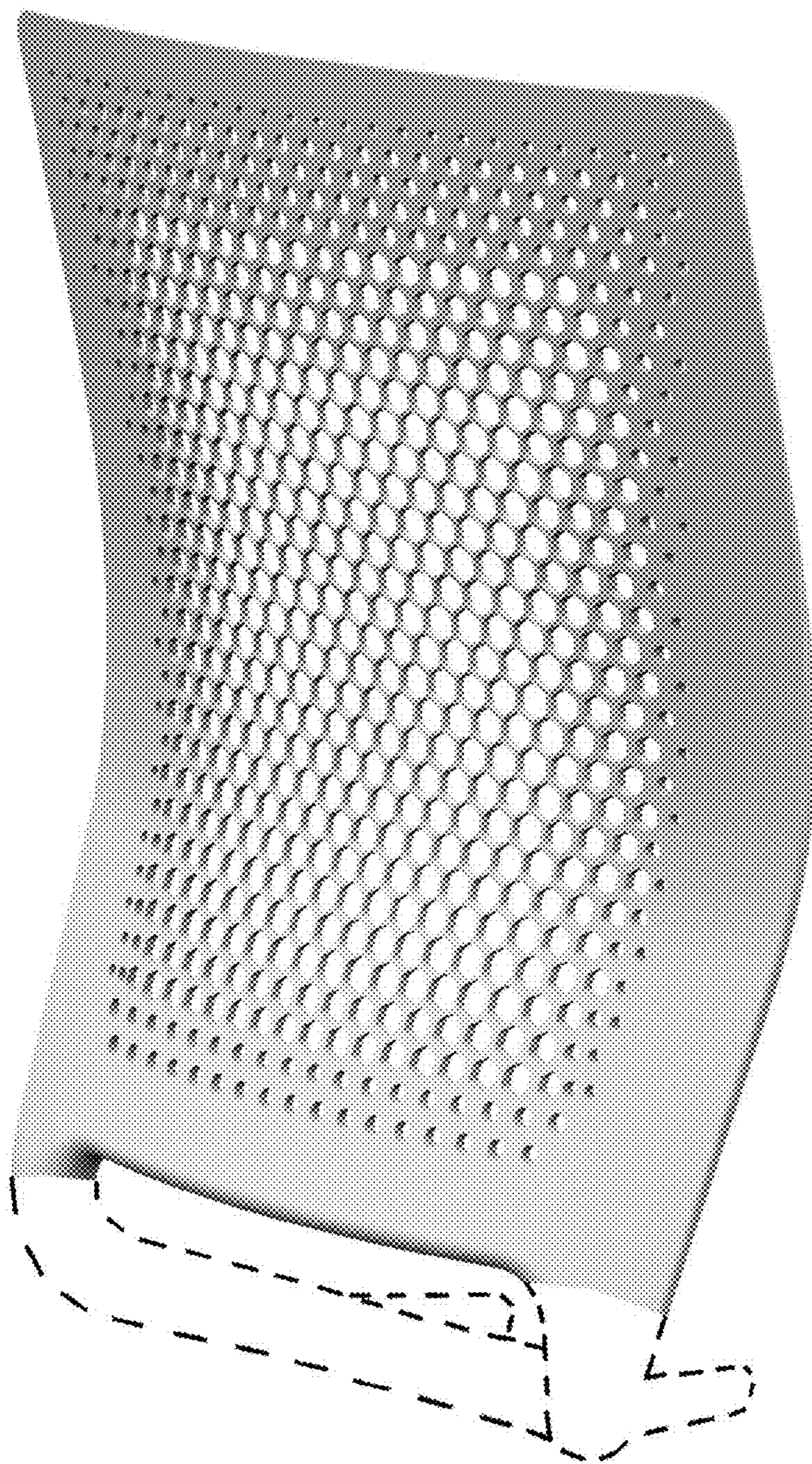


Fig. 20

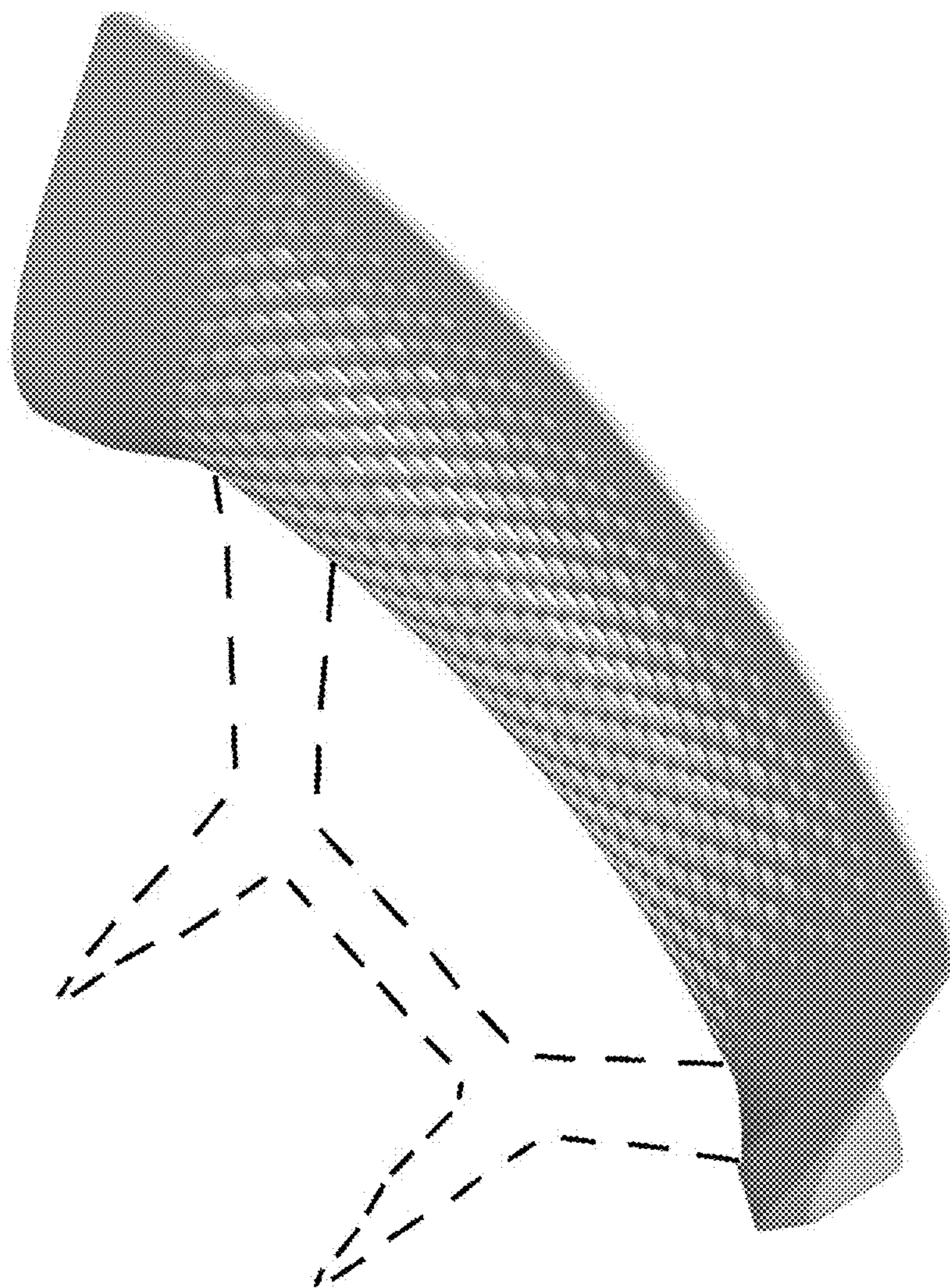


Fig. 21

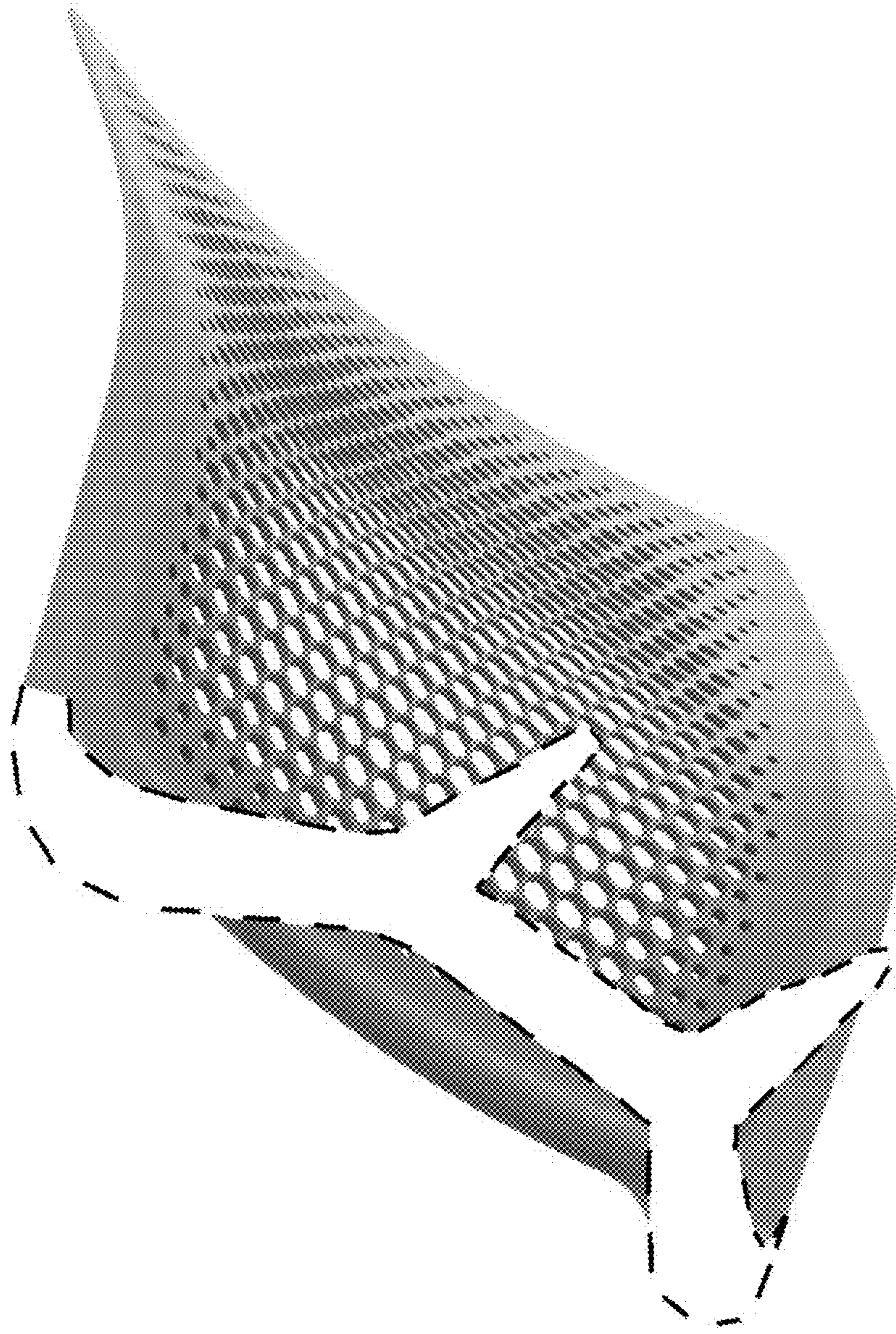


Fig. 22